



US00D693771S

(12) **United States Design Patent**  
**Lee**

(10) **Patent No.:** **US D693,771 S**  
(45) **Date of Patent:** **\*\* Nov. 19, 2013**

(54) **CONNECTOR**

(75) Inventor: **Dong Hyun Lee**, Incheon (KR)

(73) Assignee: **CNPLUS Co., Ltd.**, Incheon (KR)

(\*\*) Term: **14 Years**

(21) Appl. No.: **29/416,435**

(22) Filed: **Mar. 22, 2012**

(30) **Foreign Application Priority Data**

Mar. 9, 2012 (KR) ..... 30-2012-0011339

(51) **LOC (9) Cl.** ..... **13-03**

(52) **U.S. Cl.**  
USPC ..... **D13/147**

(58) **Field of Classification Search**  
USPC ..... D13/133, 147, 154, 184, 199; 439/64,  
439/79, 159-160, 260, 278, 325, 328-329,  
439/381, 395, 422, 492-499, 570, 630, 660,  
439/862, 892, 894, 910  
See application file for complete search history.

(56) **References Cited**

**U.S. PATENT DOCUMENTS**

D327,252 S \* 6/1992 Moriai et al. .... D13/147  
D405,053 S \* 2/1999 Tan et al. .... D13/147

D470,109 S \* 2/2003 Yokoyama et al. .... D13/147  
D499,378 S \* 12/2004 Lee et al. .... D13/147  
D505,920 S \* 6/2005 Moritake ..... D13/147  
D507,534 S \* 7/2005 Takahiro ..... D13/147  
D607,837 S \* 1/2010 Mao et al. .... D13/154  
D611,429 S \* 3/2010 Chapman ..... D13/154  
D627,737 S \* 11/2010 Qu et al. .... D13/147  
D641,321 S \* 7/2011 Ngo ..... D13/147  
D644,996 S \* 9/2011 Hsu et al. .... D13/147

\* cited by examiner

*Primary Examiner* — Daniel Bui

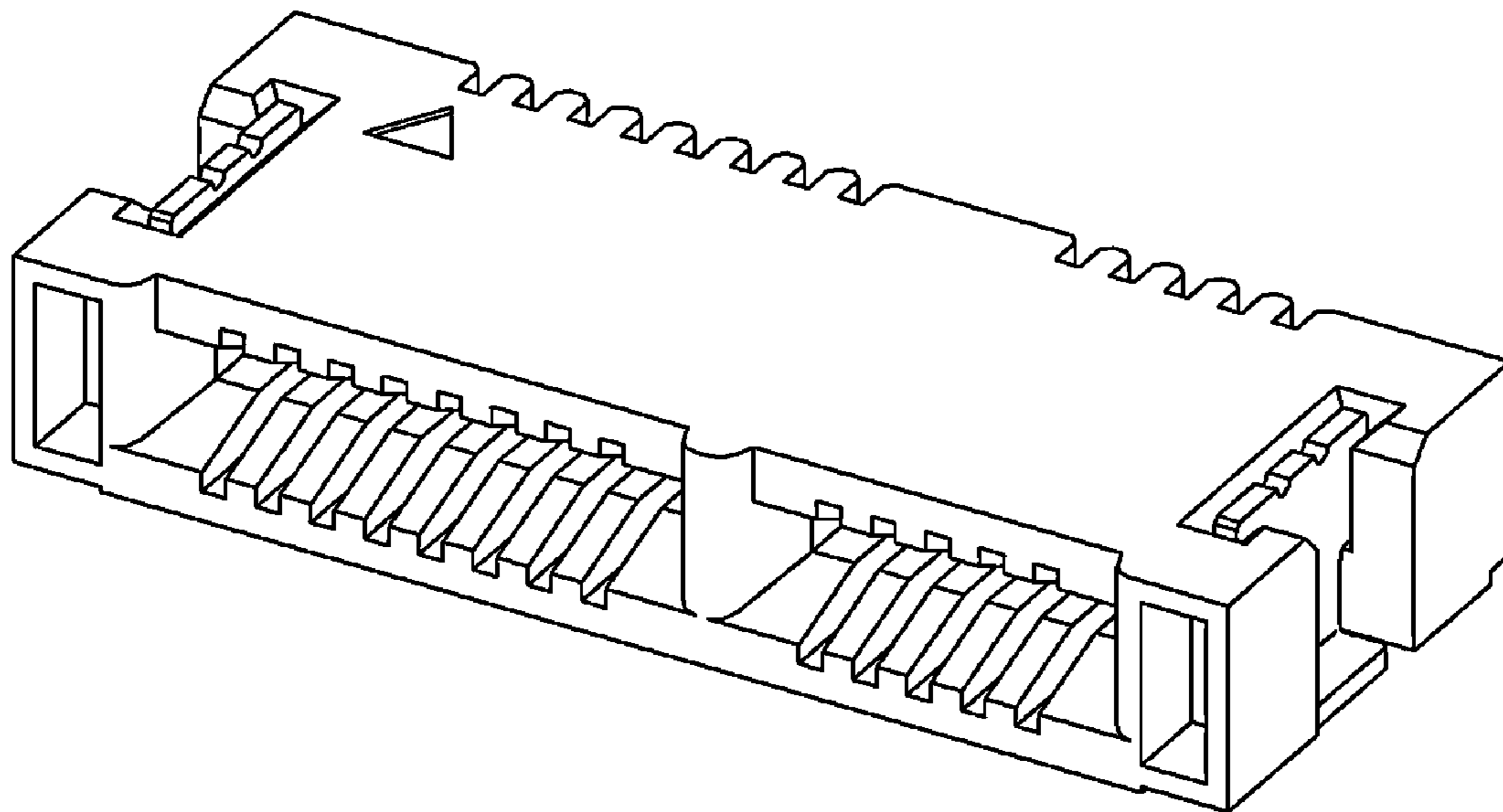
(57) **CLAIM**

The ornamental design for the connector, as shown and described.

**DESCRIPTION**

FIG. 1 is a front, top and right side perspective view of a connector showing my new design; FIG. 2 is a front elevation view thereof; FIG. 3 is a rear elevation view thereof; FIG. 4 is a left side elevation view thereof; FIG. 5 is a right side elevation view thereof; FIG. 6 is a top plan view thereof; and, FIG. 7 is a bottom plan view thereof. The broken line in FIGS. 2 and 3 is included for the purpose of illustrating unclaimed environment only and forms no part of the claimed design.

**1 Claim, 4 Drawing Sheets**



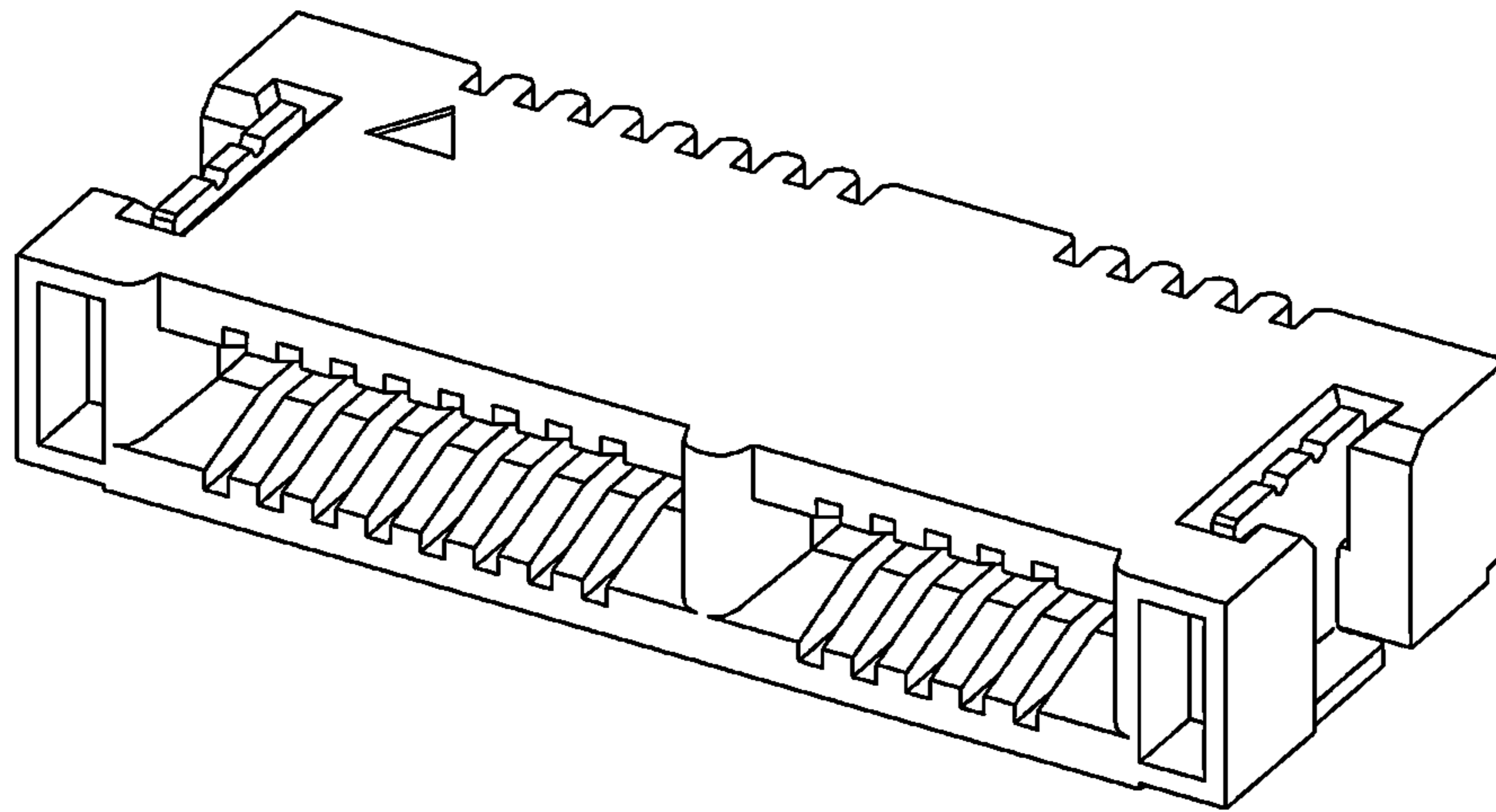


Fig. 1

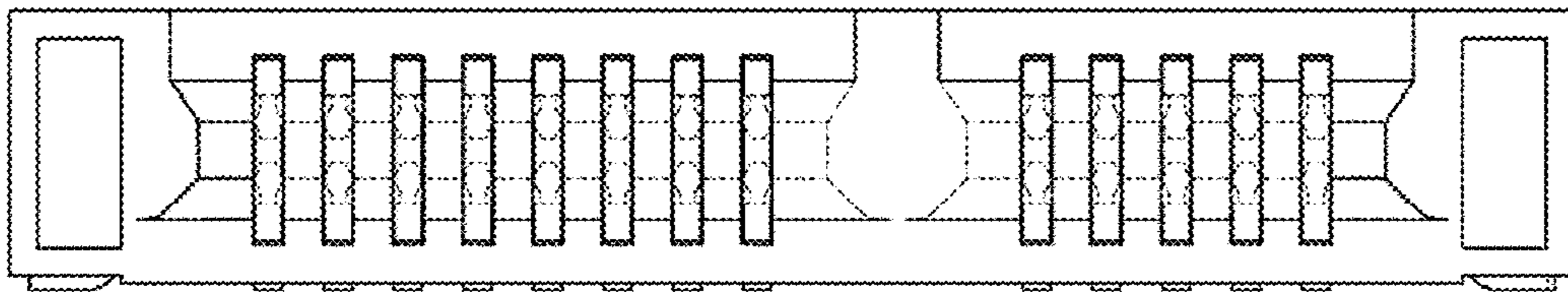


Fig. 2

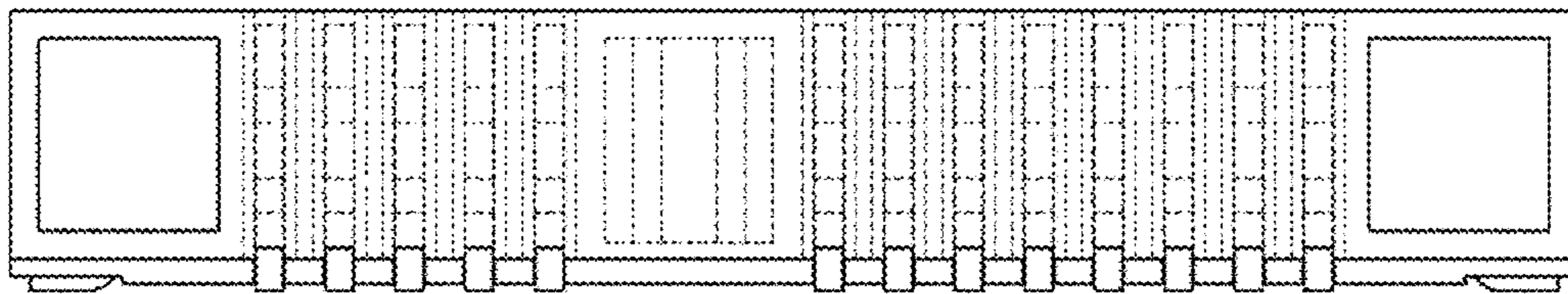


Fig. 3

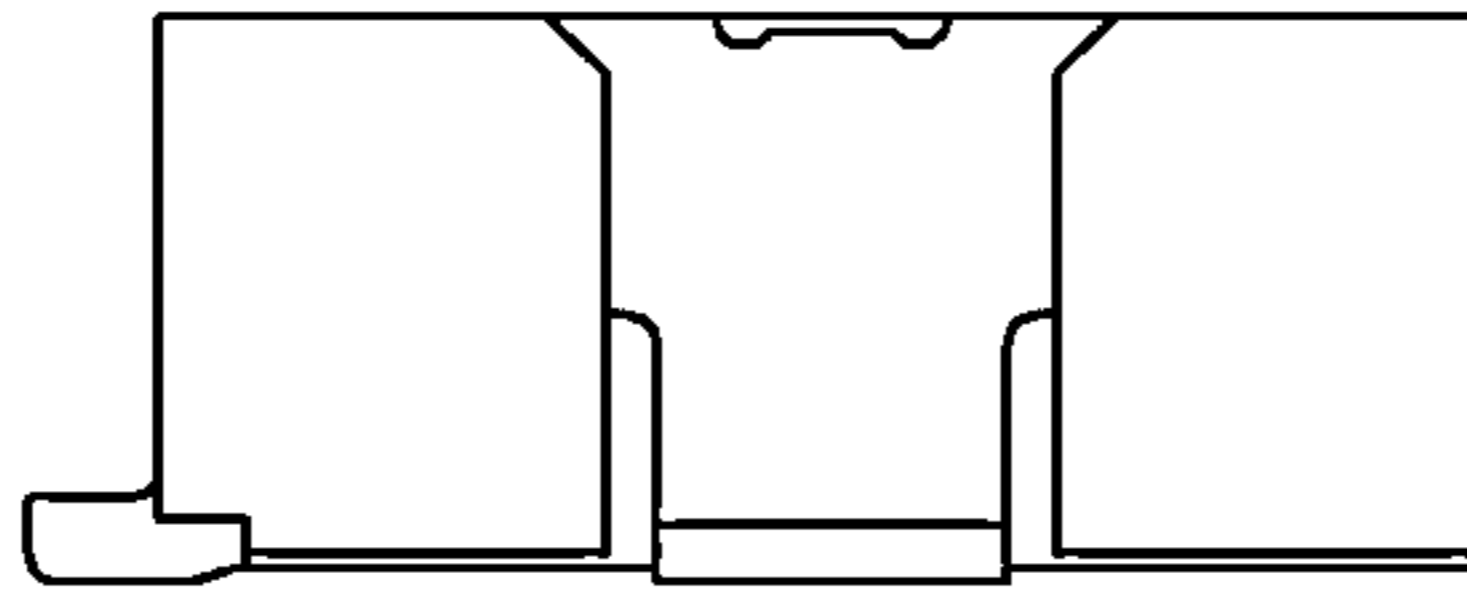


Fig. 4

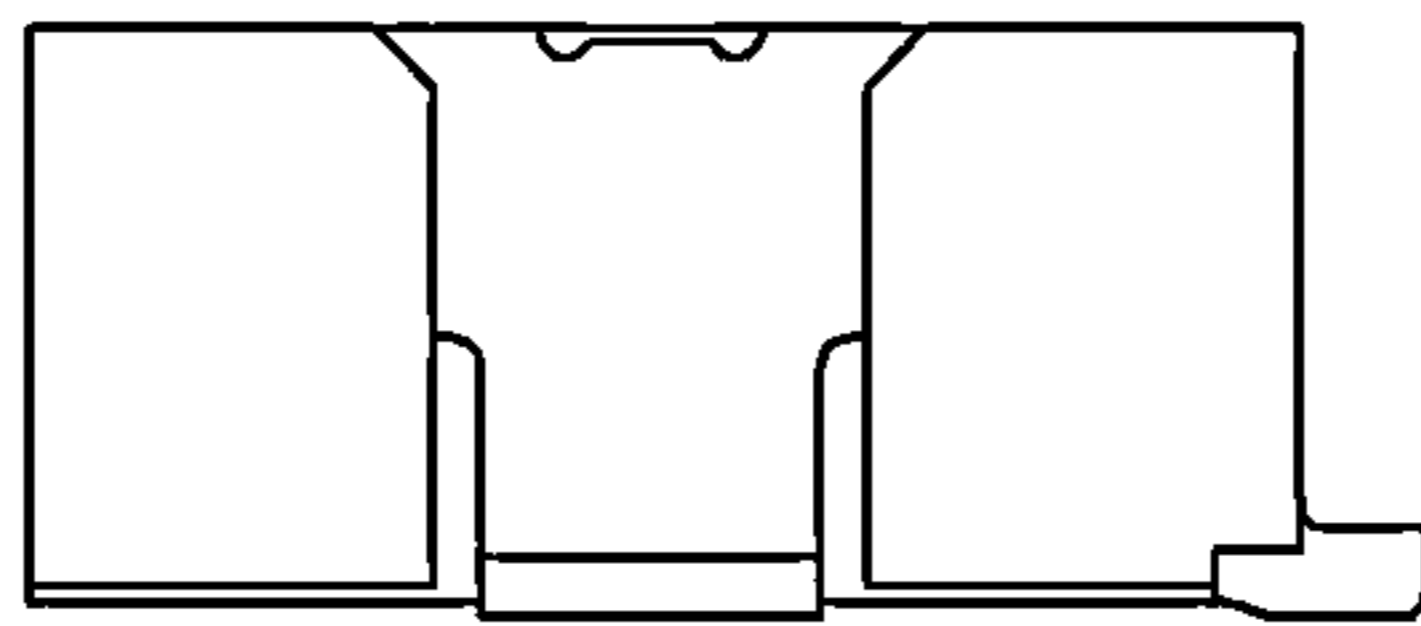


Fig. 5

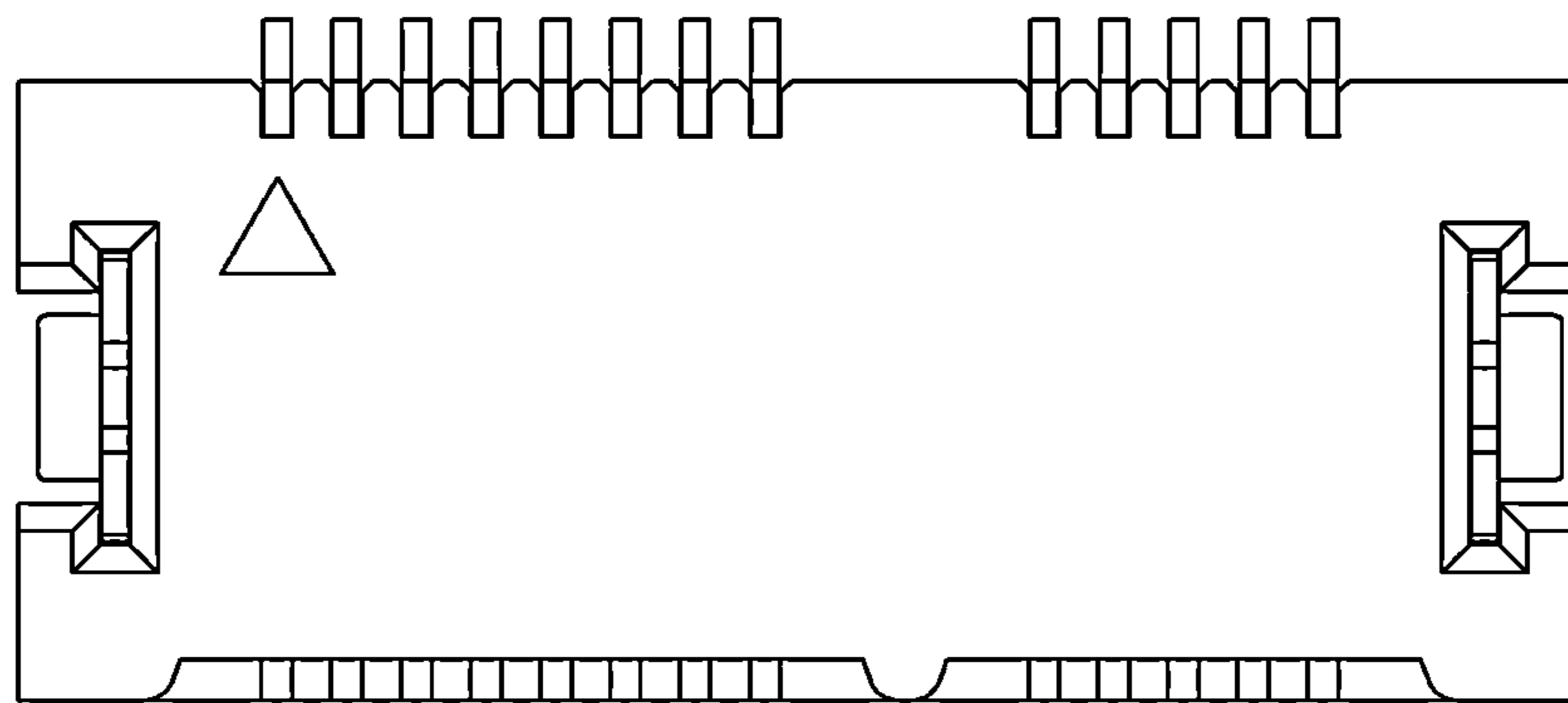


Fig. 6

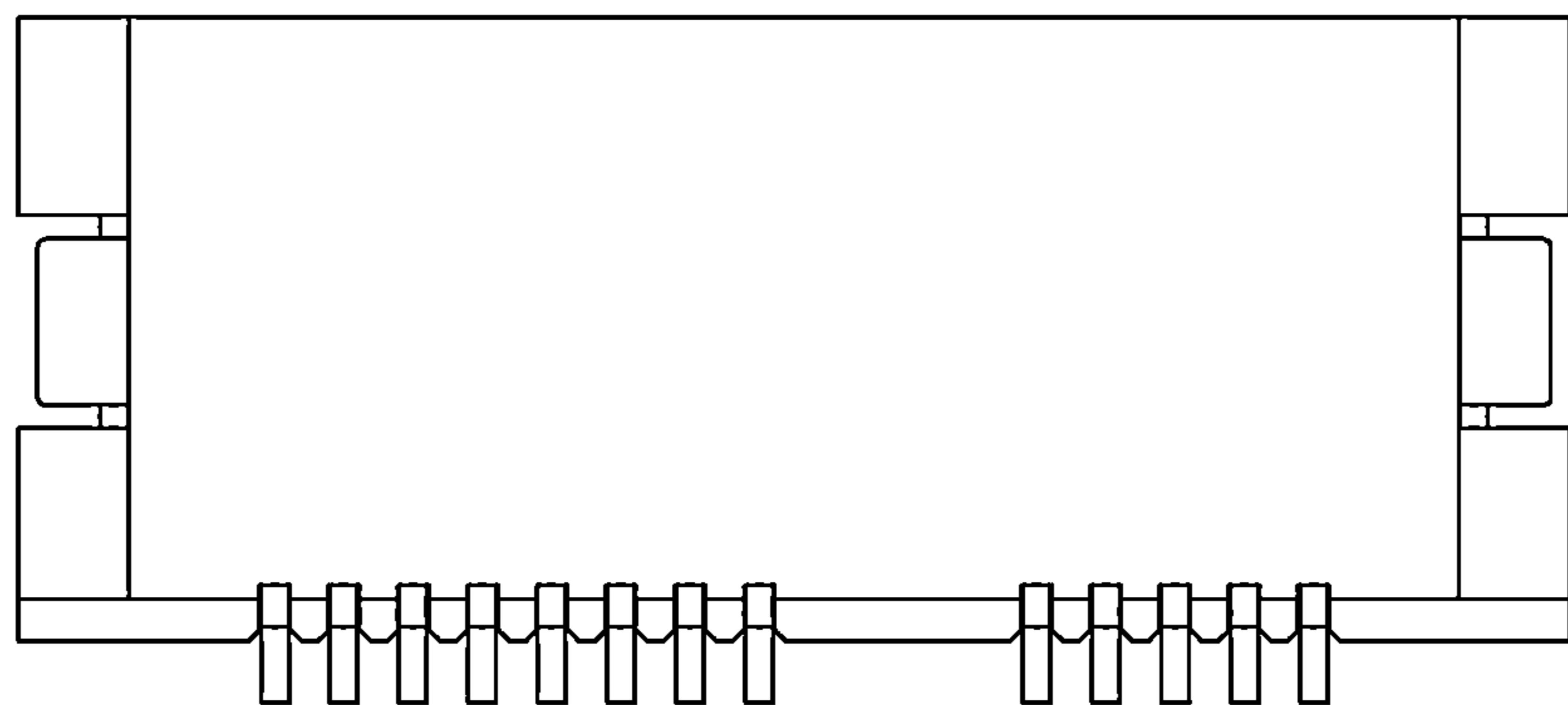


Fig. 7