



US00D693769S

(12) **United States Design Patent**
Picard et al.

(10) **Patent No.:** **US D693,769 S**

(45) **Date of Patent:** **** Nov. 19, 2013**

(54) **PLUG-IN INSERT**

(75) Inventors: **Richard R. Picard**, West Hartford, CT (US); **Phillip D. Prestigomo**, Simsbury, CT (US); **Taesuk Yang**, Wallingford, CT (US)

(73) Assignee: **The Wiremold Company**, West Hartford, CT (US)

(**) Term: **14 Years**

(21) Appl. No.: **29/428,841**

(22) Filed: **Aug. 3, 2012**

(51) **LOC (9) Cl.** **13-03**

(52) **U.S. Cl.**
USPC **D13/137.1**

(58) **Field of Classification Search**
USPC D13/137, 152, 164, 184, 137.1, 139.1, D13/153, 137.2, 133, 137.4, 139.7, 130, D13/128, 132, 138.2, 139.4, 139.8, 139.6, D13/123, 160, 107; 361/683; D9/416, 423; D24/174, 155

See application file for complete search history.

(56) **References Cited**

U.S. PATENT DOCUMENTS

D486,792 S * 2/2004 Stoughton D13/137.2
D523,397 S * 6/2006 Maglionico et al. D13/137.2

D533,836 S * 12/2006 Young D13/137.1
D547,271 S * 7/2007 Ng D13/137.1
D561,694 S * 2/2008 Lam D13/137.1
D564,964 S * 3/2008 Caine et al. D13/137.1
D633,868 S * 3/2011 Cullen et al. D13/137.2

* cited by examiner

Primary Examiner — Robert M Spear

Assistant Examiner — Rhea Shields

(74) *Attorney, Agent, or Firm* — McCormick, Paulding & Huber LLP

(57) **CLAIM**

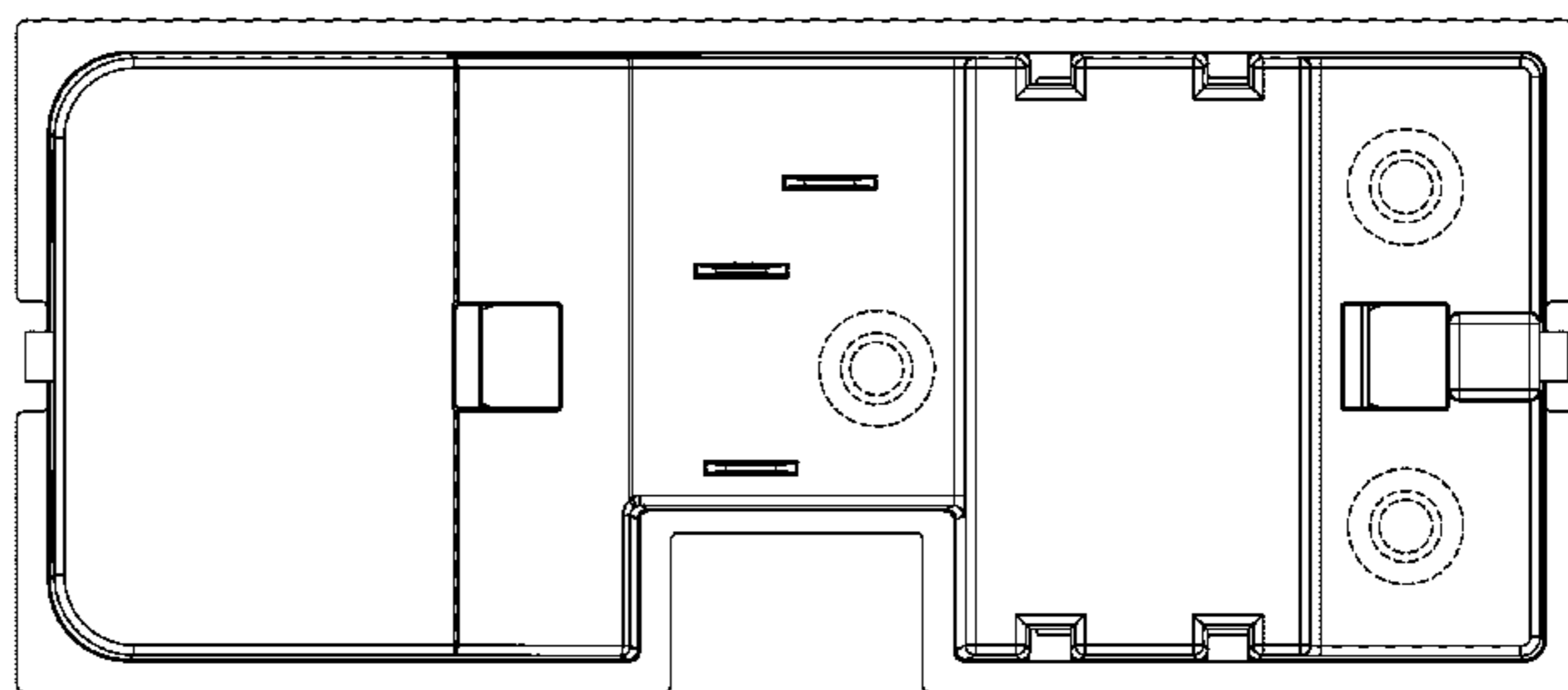
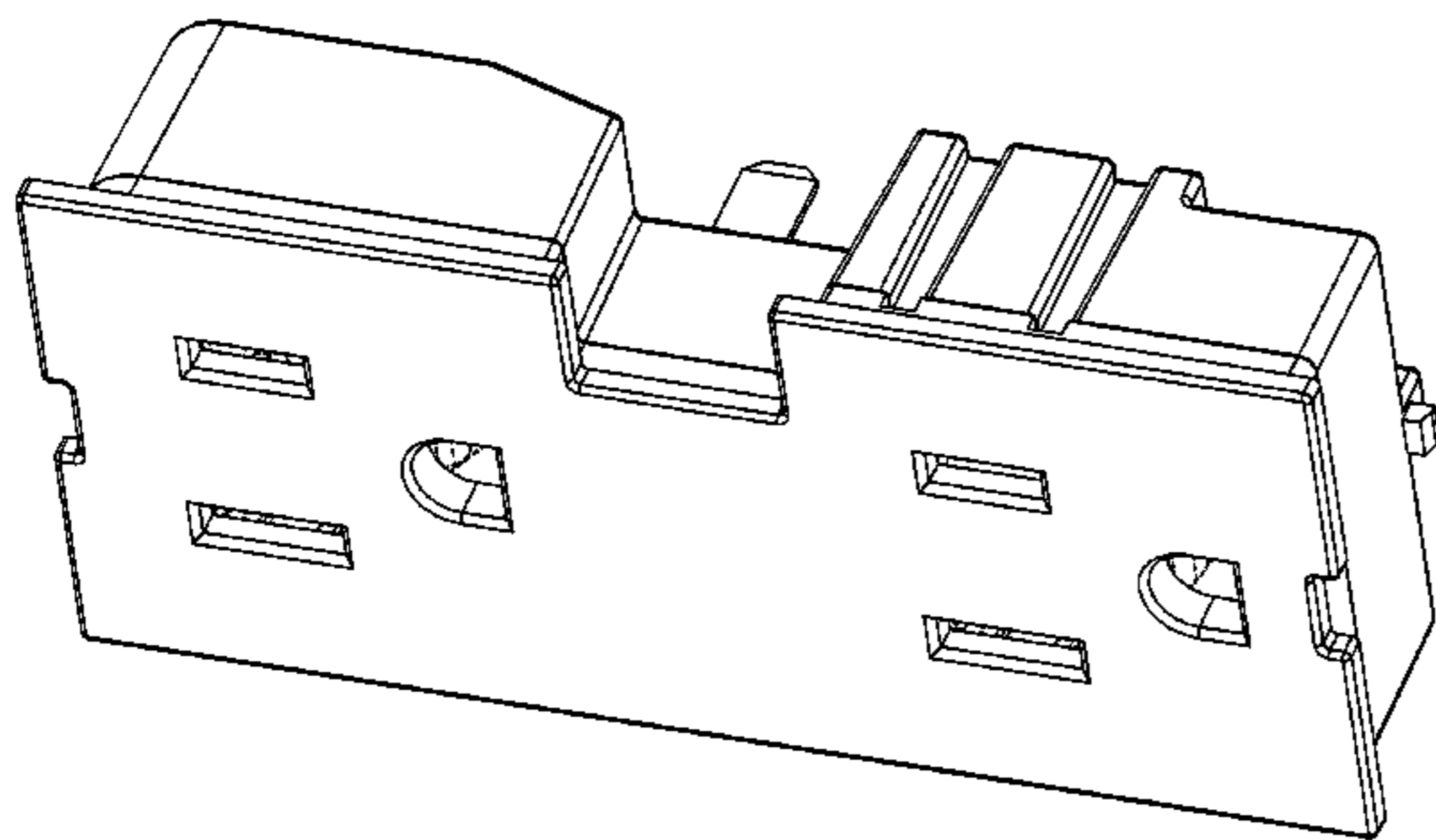
The ornamental design for a plug-in insert, substantially as shown and described.

DESCRIPTION

FIG. 1 is a front, top, right-hand side perspective view of a plug-in insert of a new, original and ornamental design; FIG. 2 is a front view thereof; FIG. 3 is a top view thereof; FIG. 4 is a bottom view thereof; FIG. 5 is a left hand side view thereof; FIG. 6 is a right hand side view thereof; and, FIG. 7 is a rear view thereof.

The broken lines in the drawings depict unclaimed environment and form no part of the claim.

1 Claim, 6 Drawing Sheets



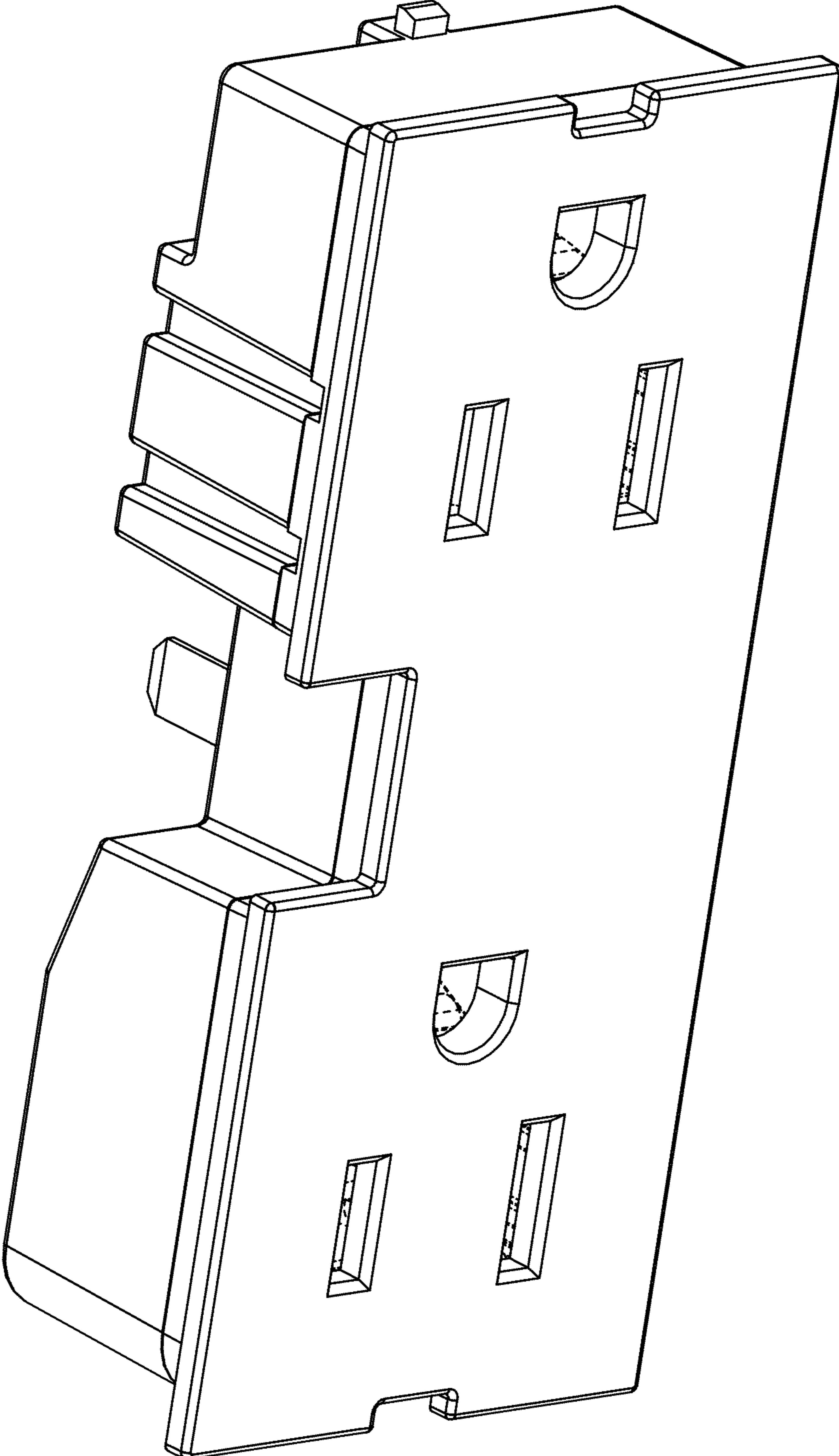


FIG. 1

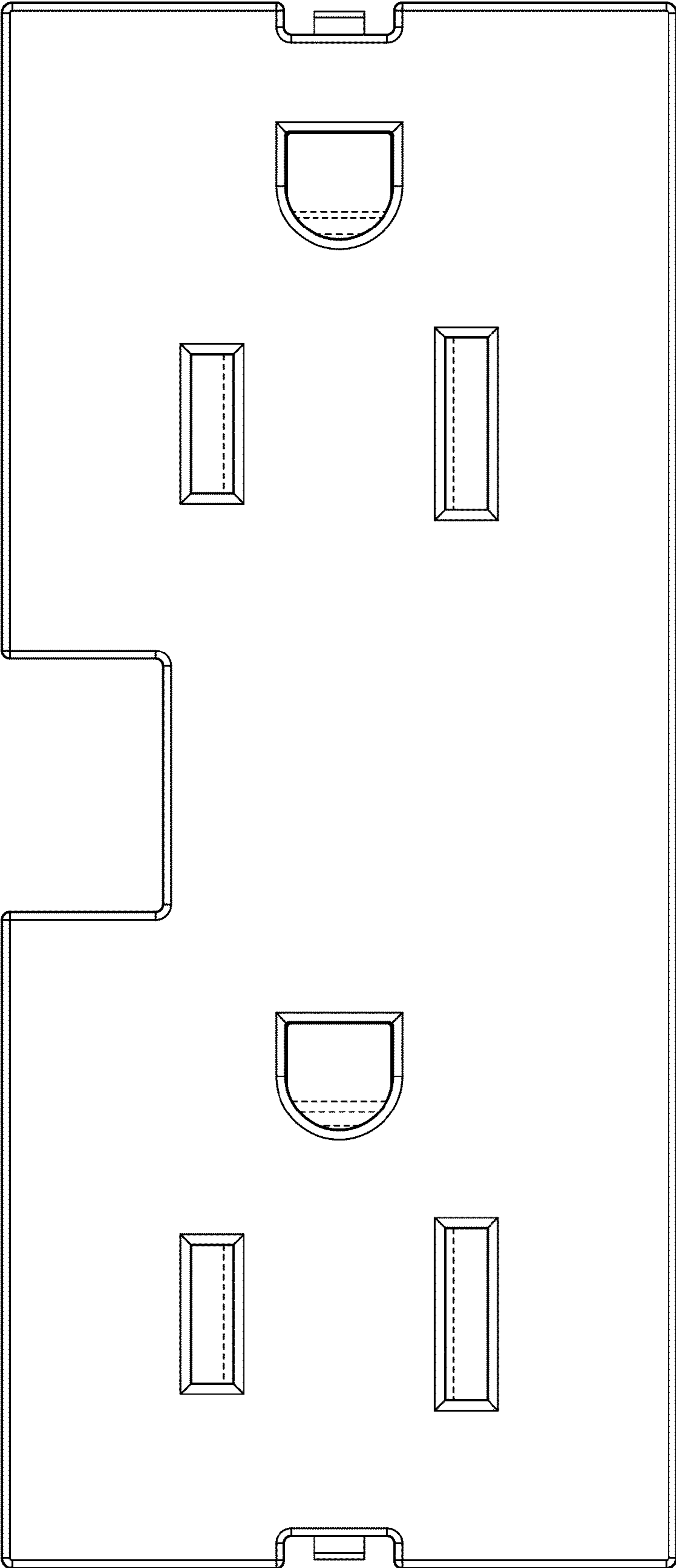


FIG. 2

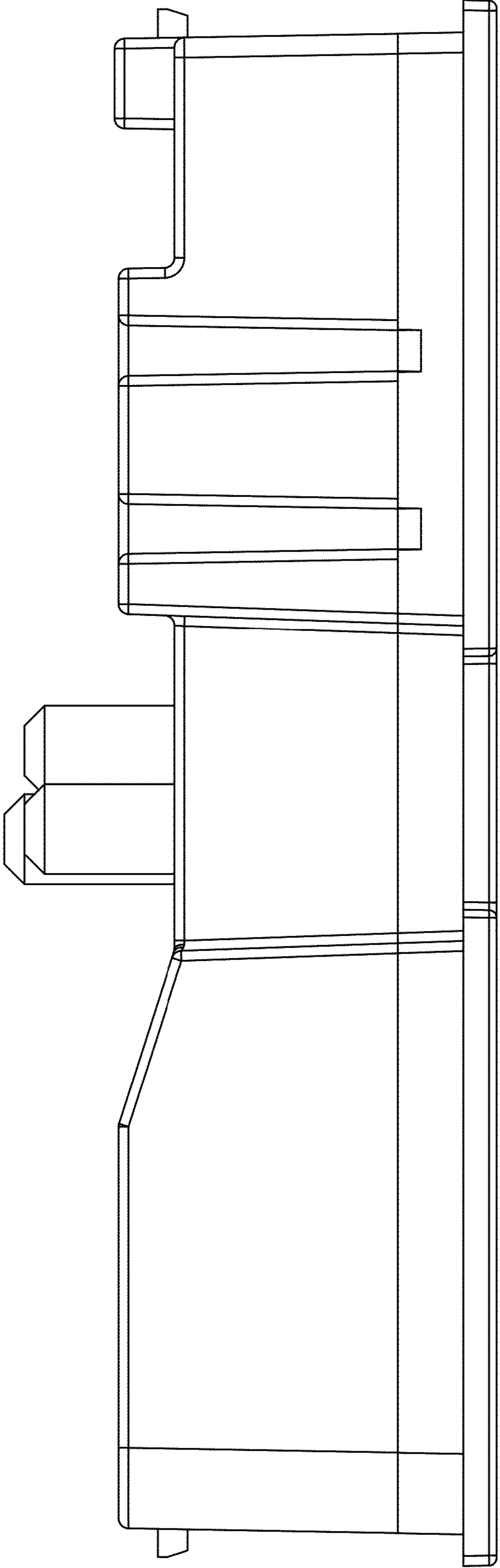


FIG. 3

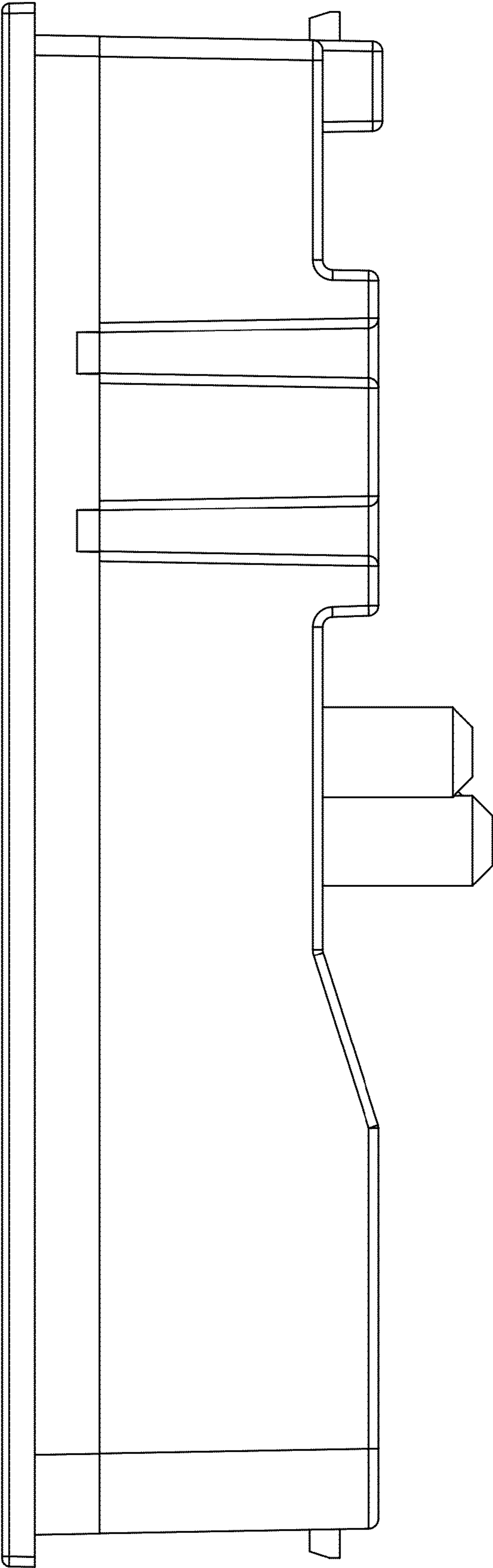


FIG. 4

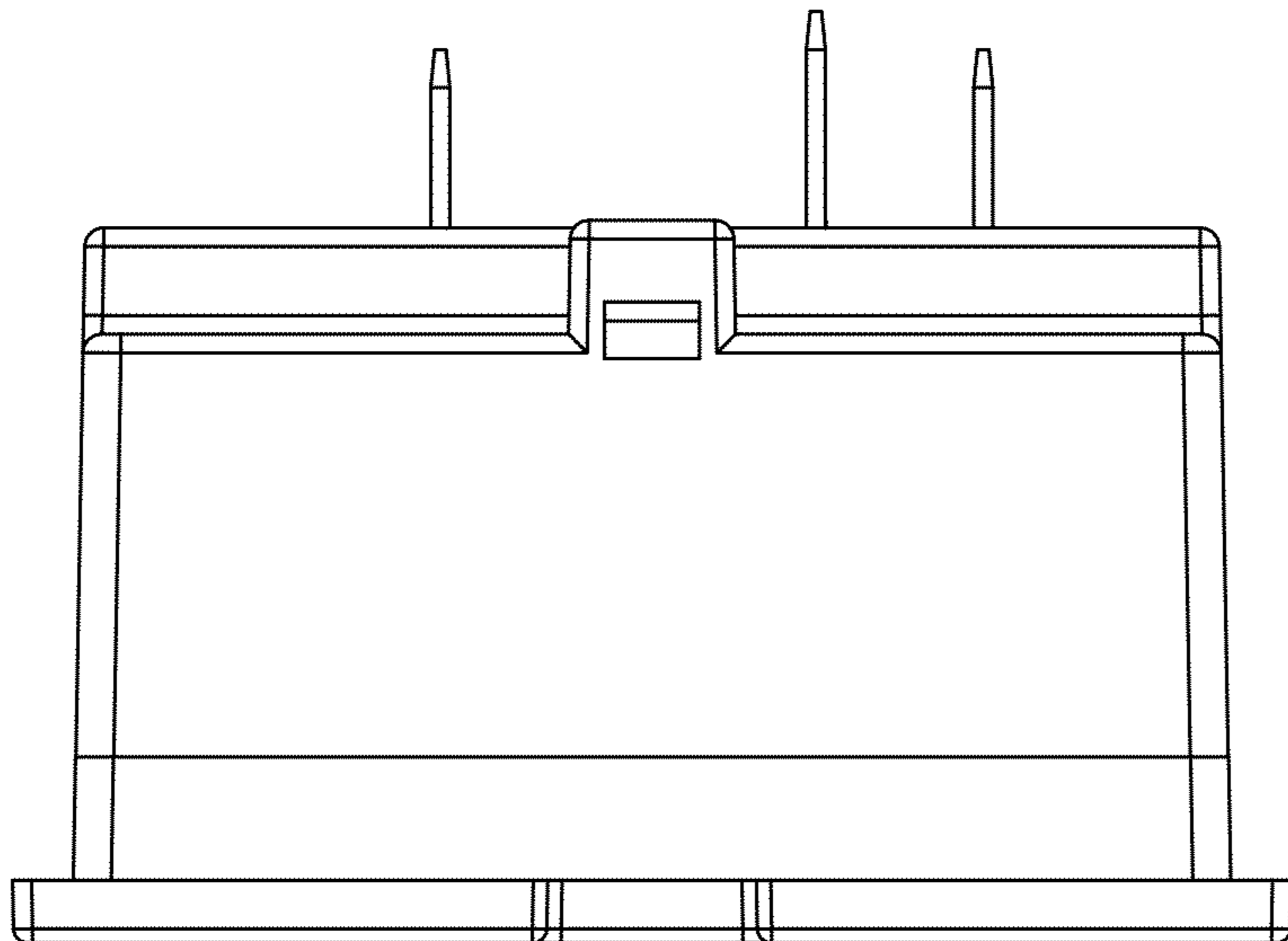


FIG. 6

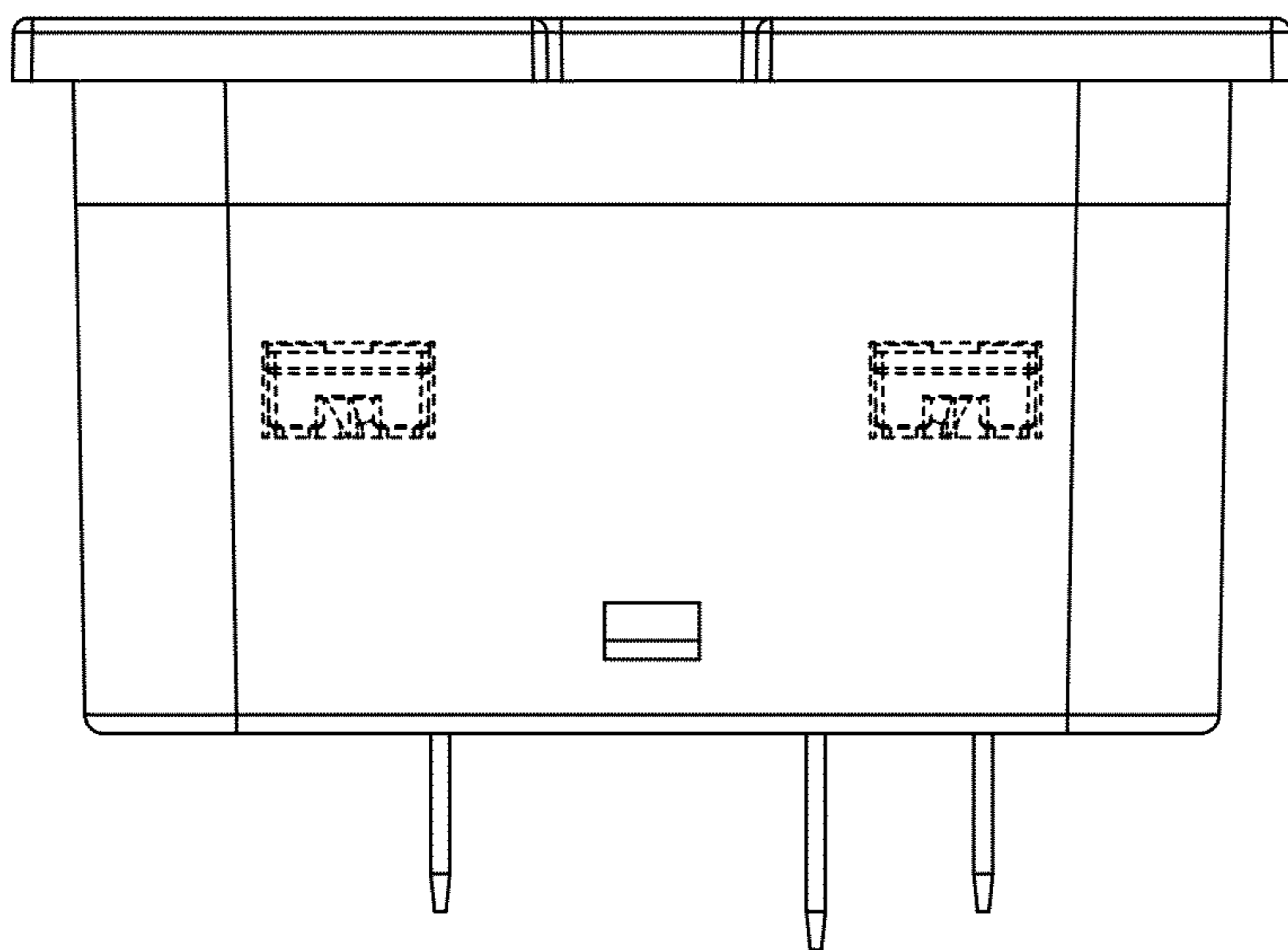


FIG. 5

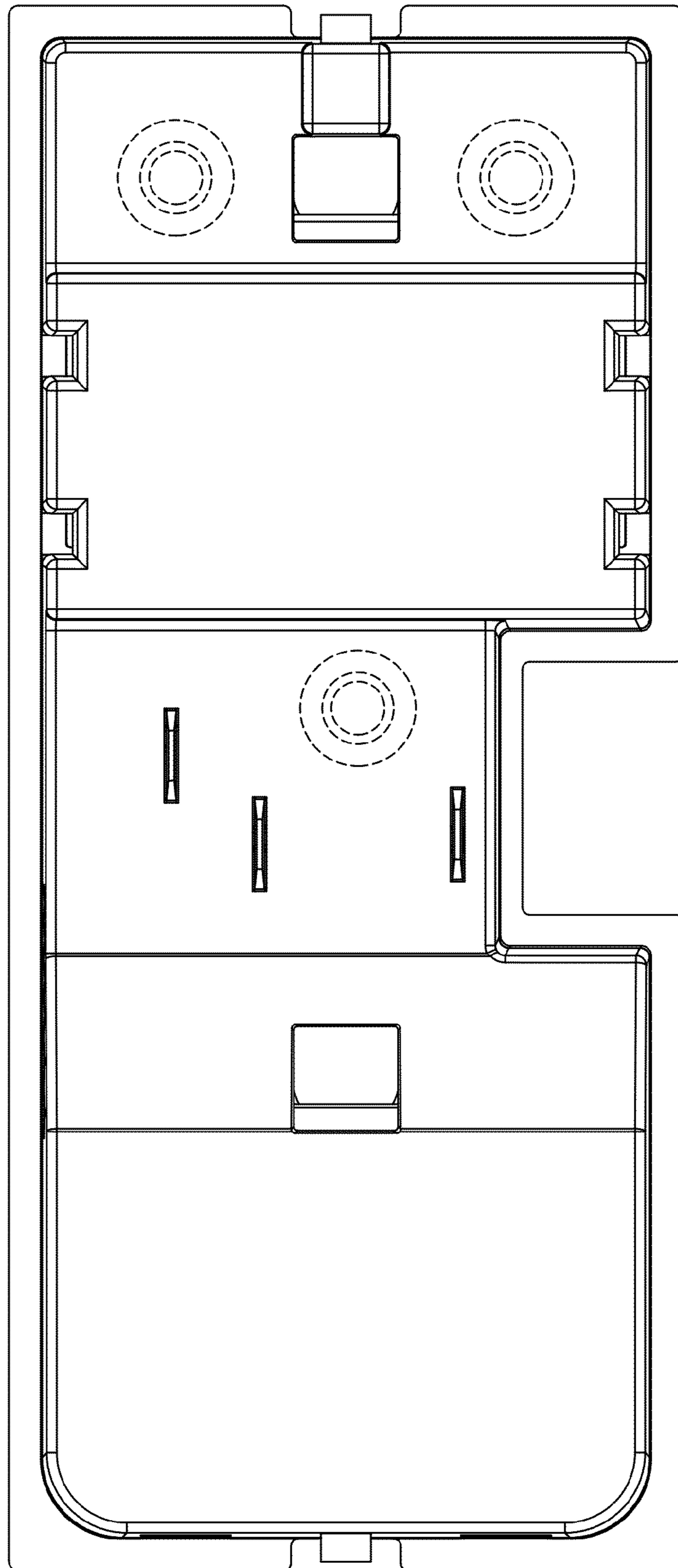


FIG. 7