



US00D693768S

(12) **United States Design Patent**
Alesi et al.

(10) **Patent No.:** **US D693,768 S**

(45) **Date of Patent:** **** Nov. 19, 2013**

(54) **USB ADAPTER**

(71) Applicant: **Custom Accessories Inc.**, Richmond, IL (US)

(72) Inventors: **Vincent Anthony Alesi**, Richmond, IL (US); **Anthony Salvatore Ferenzi**, Richmond, IL (US)

(73) Assignee: **Custom Accessories Inc.**, Richmond, IL (US)

(**) Term: **14 Years**

(21) Appl. No.: **29/453,014**

(22) Filed: **Apr. 24, 2013**

(51) **LOC (9) Cl.** **13-02**

(52) **U.S. Cl.**
USPC **D13/110**

(58) **Field of Classification Search**
USPC D13/110, 107, 108, 118, 119, 123, 133, D13/137.1, 184, 199; D14/242, 251, 432, D14/433, 434; 174/53, 54, 59, 61; 307/11, 307/150, 151; 320/107, 111, 112, 113, 114, 320/115; 361/679.01; 363/142, 146; 439/131, 172, 626, 628, 638
See application file for complete search history.

(56) **References Cited**

U.S. PATENT DOCUMENTS

D484,853 S * 1/2004 Alviar D13/110
D503,679 S * 4/2005 Andre et al. D13/110

D544,438 S * 6/2007 Hussaini et al. D13/110
D558,143 S * 12/2007 Hsu D13/110
D559,848 S * 1/2008 Siu D14/433
D574,833 S * 8/2008 Hussaini et al. D14/432
D575,730 S * 8/2008 Hung D13/110
D595,224 S * 6/2009 Seil et al. D13/110
D601,500 S * 10/2009 Green et al. D13/110
D624,495 S * 9/2010 Shum et al. D13/110
D671,491 S * 11/2012 Zaslavsky et al. D13/110

* cited by examiner

Primary Examiner — Derrick Holland

(74) *Attorney, Agent, or Firm* — Leydig, Voit & Mayer, Ltd.

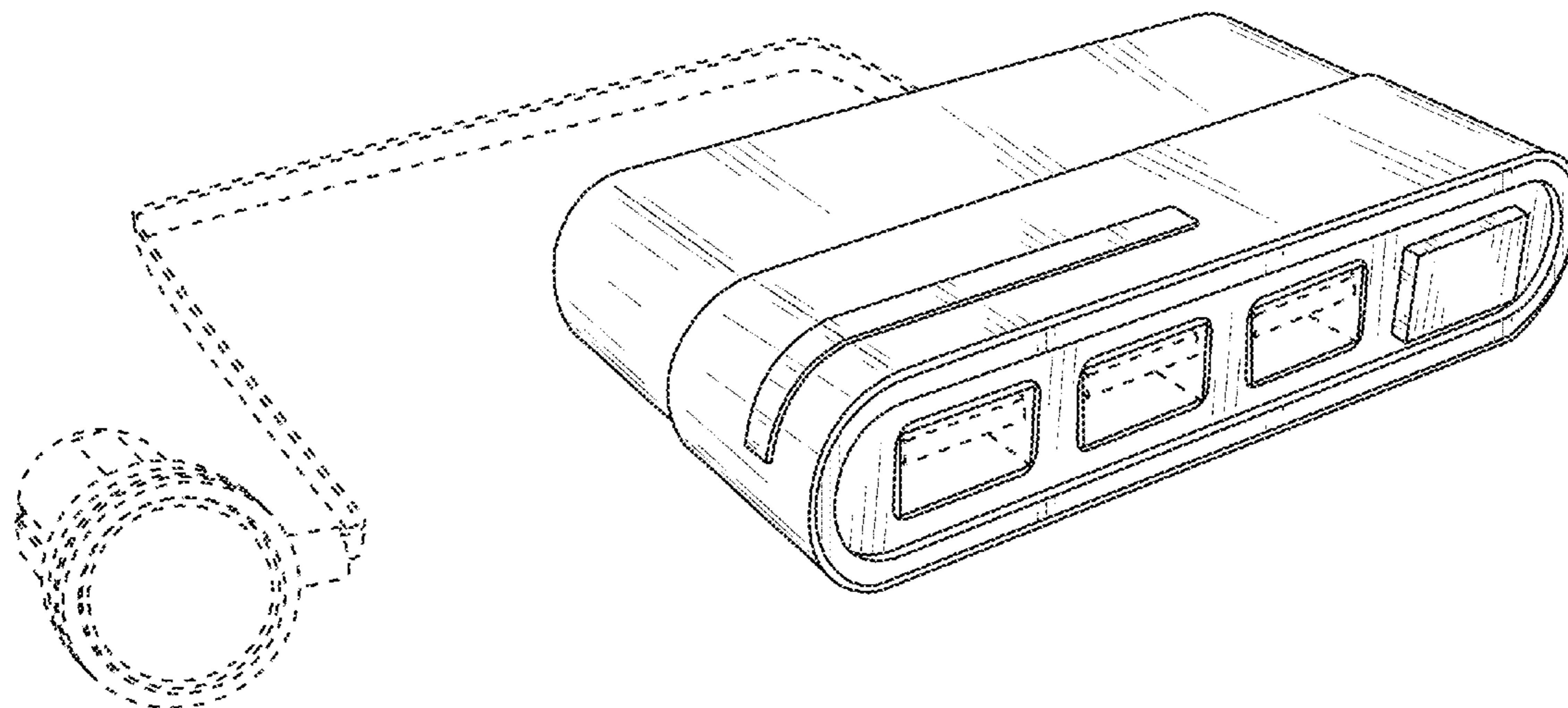
(57) **CLAIM**

The ornamental design for a USB adapter, as shown and described.

DESCRIPTION

FIG. 1 is a perspective view taken from the top, front, and left side of a USB adapter showing our new design; FIG. 2 is a top view of the USB adapter of FIG. 1; FIG. 3 is a bottom view of the USB adapter of FIG. 1; FIG. 4 is a front elevational view of the USB adapter of FIG. 1; FIG. 5 is a rear elevational view of the USB adapter of FIG. 1; FIG. 6 is a left side view of the USB adapter of FIG. 1; and, FIG. 7 is a right side view of the USB adapter of FIG. 1. The broken lines shown represent unclaimed subject matter and form no part of the claimed design.

1 Claim, 5 Drawing Sheets



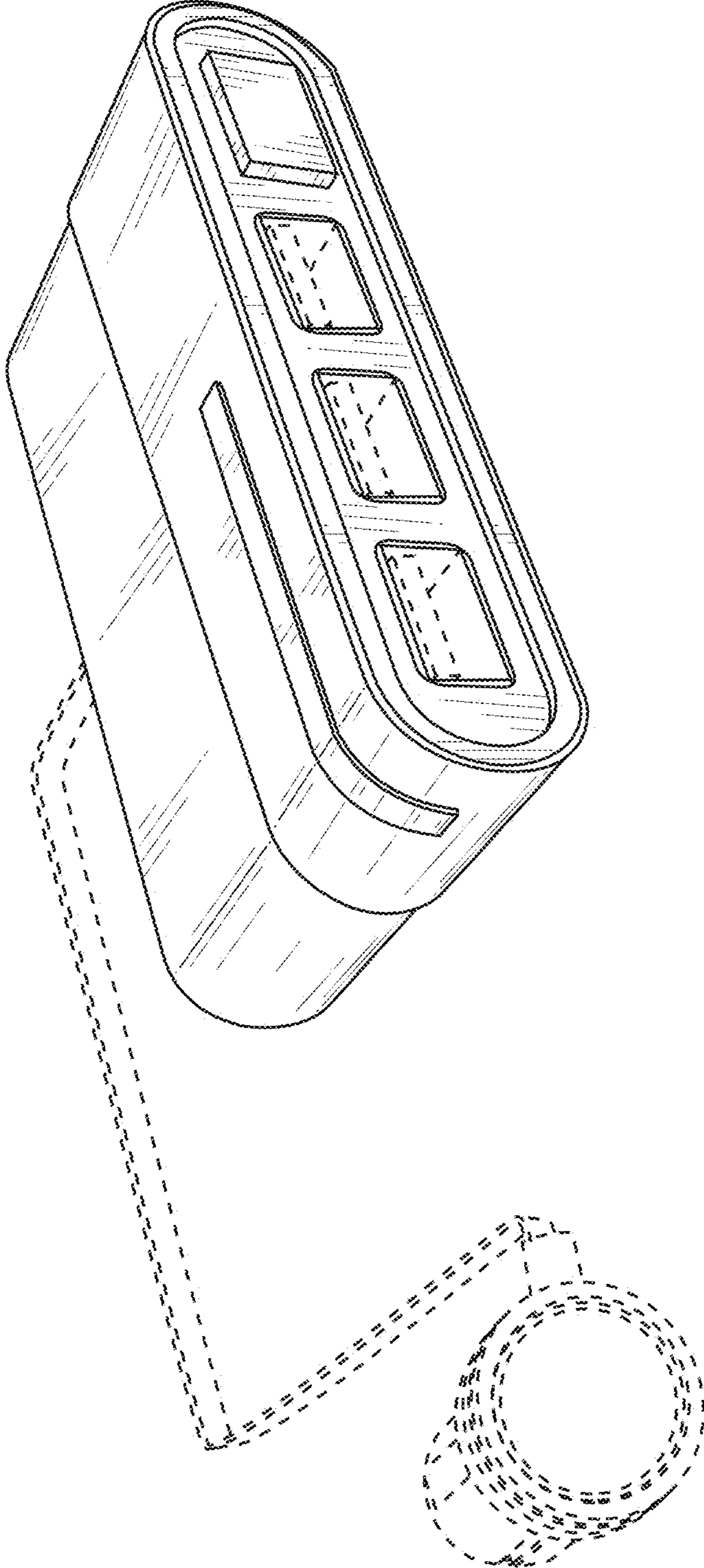


FIG. 1

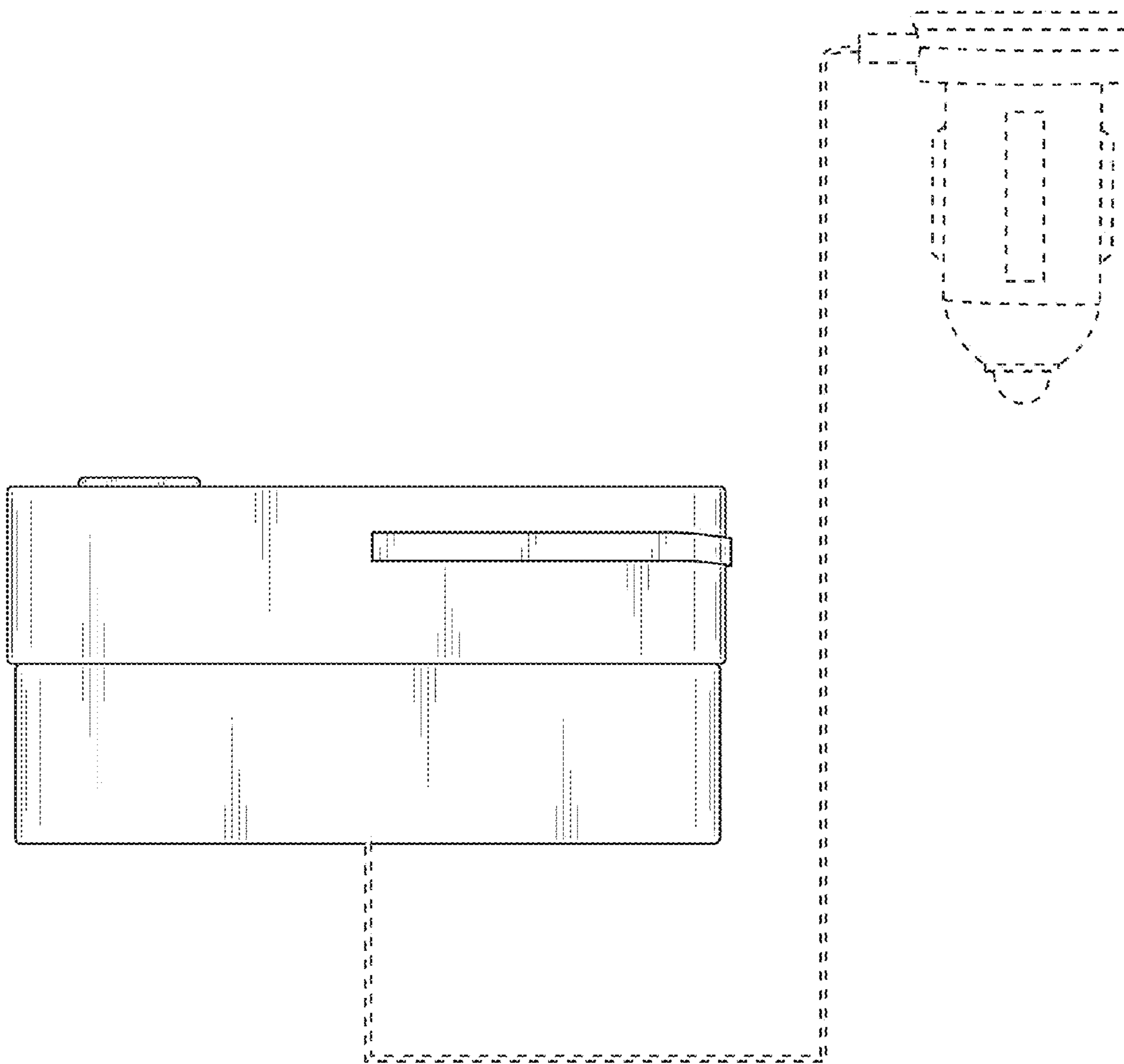


FIG. 2

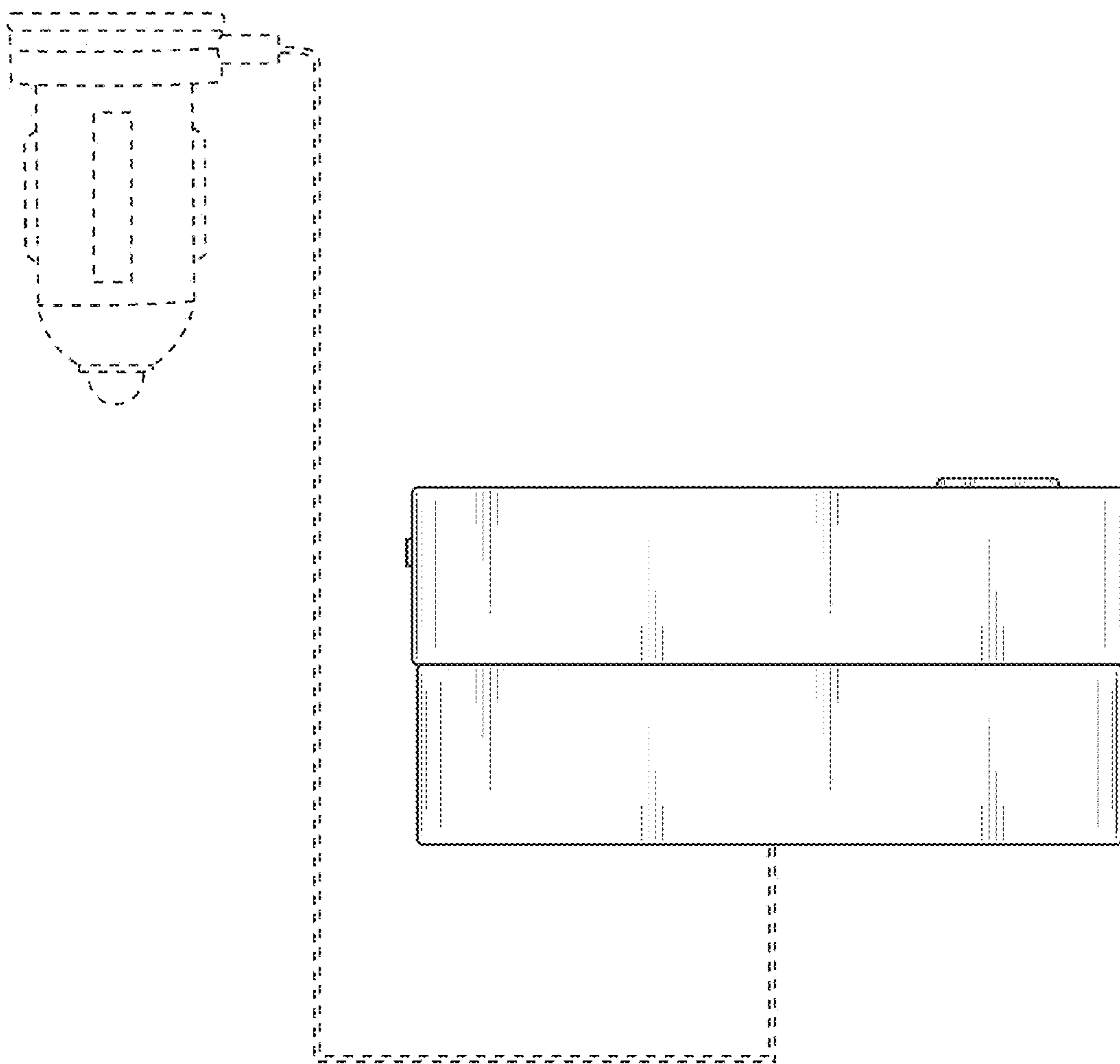


FIG. 3

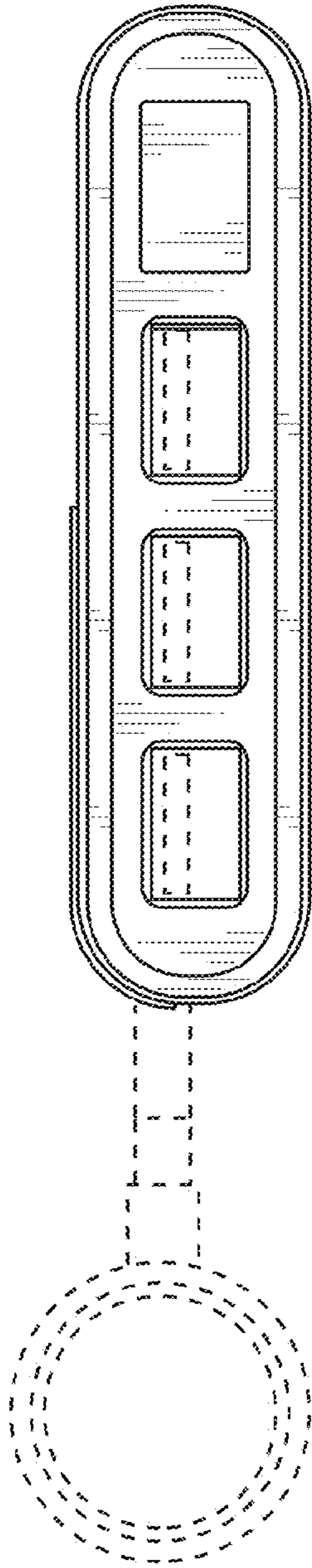


FIG. 4

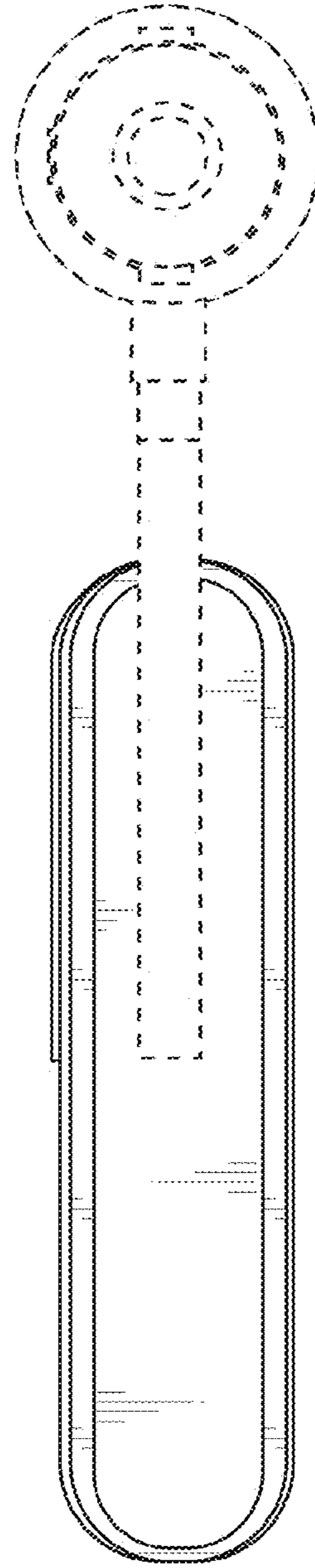


FIG. 5

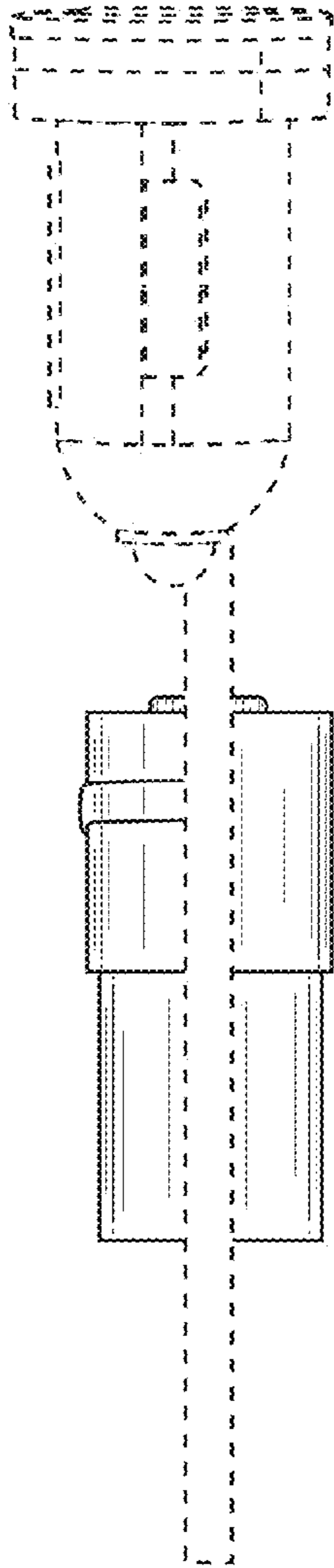


FIG. 6

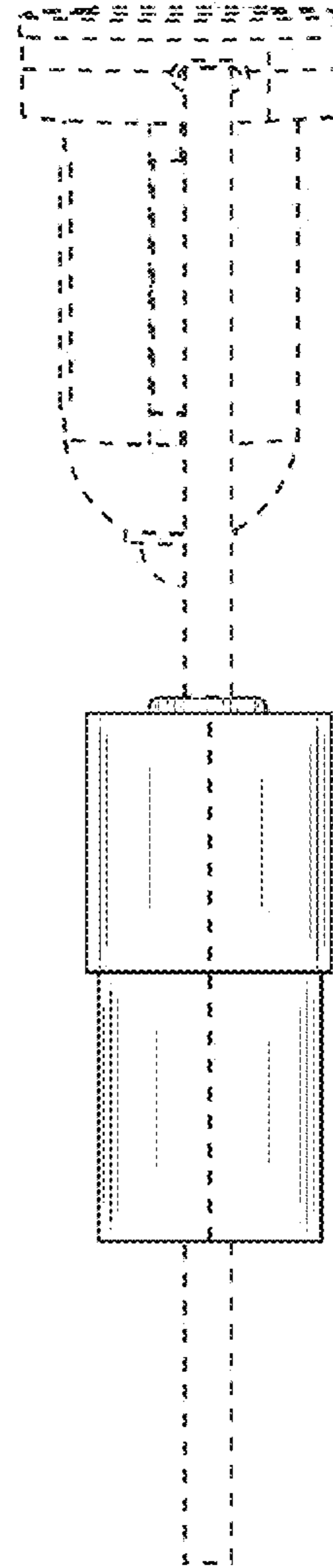


FIG. 7