

US00D693765S

(12) **United States Design Patent**
Workman et al.

(10) **Patent No.:** **US D693,765 S**
(45) **Date of Patent:** **** Nov. 19, 2013**

(54) **ACCESSORY FOR AN ENERGY STORAGE AND POWER SUPPLY DEVICE**

(75) Inventors: **Robert E. Workman**, Morgan, UT (US);
Erik R. Workman, Salt Lake City, UT (US);
Norm Krantz, Logan, UT (US);
Joseph R. Atkin, Highland, UT (US);
Walker Ford, Bluffdale, UT (US)

(73) Assignee: **Goal Zero LLC**, Bluffdale, UT (US)

(**) Term: **14 Years**

(21) Appl. No.: **29/410,386**

(22) Filed: **Jan. 6, 2012**

(51) **LOC (9) Cl.** **13-02**

(52) **U.S. Cl.**
USPC **D13/110**

(58) **Field of Classification Search**
USPC D13/101, 103, 107, 108, 110, 112, 114,
D13/118, 123, 133, 137.1, 138.1, 144, 199;
439/105, 166, 170-175, 218, 518, 692,
439/956; D16/136, 250; D14/204, 212,
D14/215, 216, 221; D9/430, 431, 432, 434,
D9/435, 436, 444, 445
See application file for complete search history.

(56) **References Cited**

U.S. PATENT DOCUMENTS

D45,257 S *	2/1914	Hasburg	D19/35
D60,285 S *	1/1922	Appleton	D13/138.1
3,026,957 A *	3/1962	Gladstone	181/147
D192,757 S *	5/1962	Foss	D9/452
D201,320 S *	6/1965	Hirohama	D9/453
3,438,529 A *	4/1969	Lohrer	215/320
D221,081 S *	7/1971	Kahn	D13/110
4,497,881 A *	2/1985	Bertolino	429/91
4,587,450 A *	5/1986	Ozaki	
D364,375 S *	11/1995	Sakashita et al.	D13/112

D456,353 S	4/2002	Shown et al.	
D544,834 S	6/2007	Weinstein	
D554,621 S *	11/2007	Yao D14/216
D568,810 S	5/2008	Weinstein	
D572,586 S *	7/2008	Medema D9/445
D585,022 S	1/2009	Akita	
D642,057 S *	7/2011	Reed et al. D9/453
D650,771 S *	12/2011	Chen D14/216
D651,564 S	1/2012	Workman et al.	
D654,867 S	2/2012	Huppe	
D664,499 S	7/2012	Workman et al.	
2005/0032403 A1 *	2/2005	Ishihara 439/101

OTHER PUBLICATIONS

U.S. Appl. No. 29/410,386, filed Jan. 6, 2012, Workman et al.
U.S. Appl. No. 29/410,376, filed Jan. 6, 2012, Workman et al.
U.S. Appl. No. 29/410,375, filed Jan. 6, 2012, Workman et al.
U.S. Appl. No. 29/410,374, filed Jan. 6, 2012, Workman et al.
Images of commercial battery chargers. Dates unknown, 1 page.

* cited by examiner

Primary Examiner — Derrick Holland

Assistant Examiner — Lauren Calve

(74) *Attorney, Agent, or Firm* — Foley & Lardner LLP

(57) **CLAIM**

We claim the ornamental design for an accessory for an energy storage and power supply device, as shown and described.

DESCRIPTION

FIG. 1 is a front perspective view of an accessory for an energy storage and power supply device of the claimed design; and,

FIG. 2 is a left side view thereof.

The broken line showing of the accessory for an energy storage and power supply device represents unclaimed subject matter and forms no part of the claimed design.

1 Claim, 1 Drawing Sheet

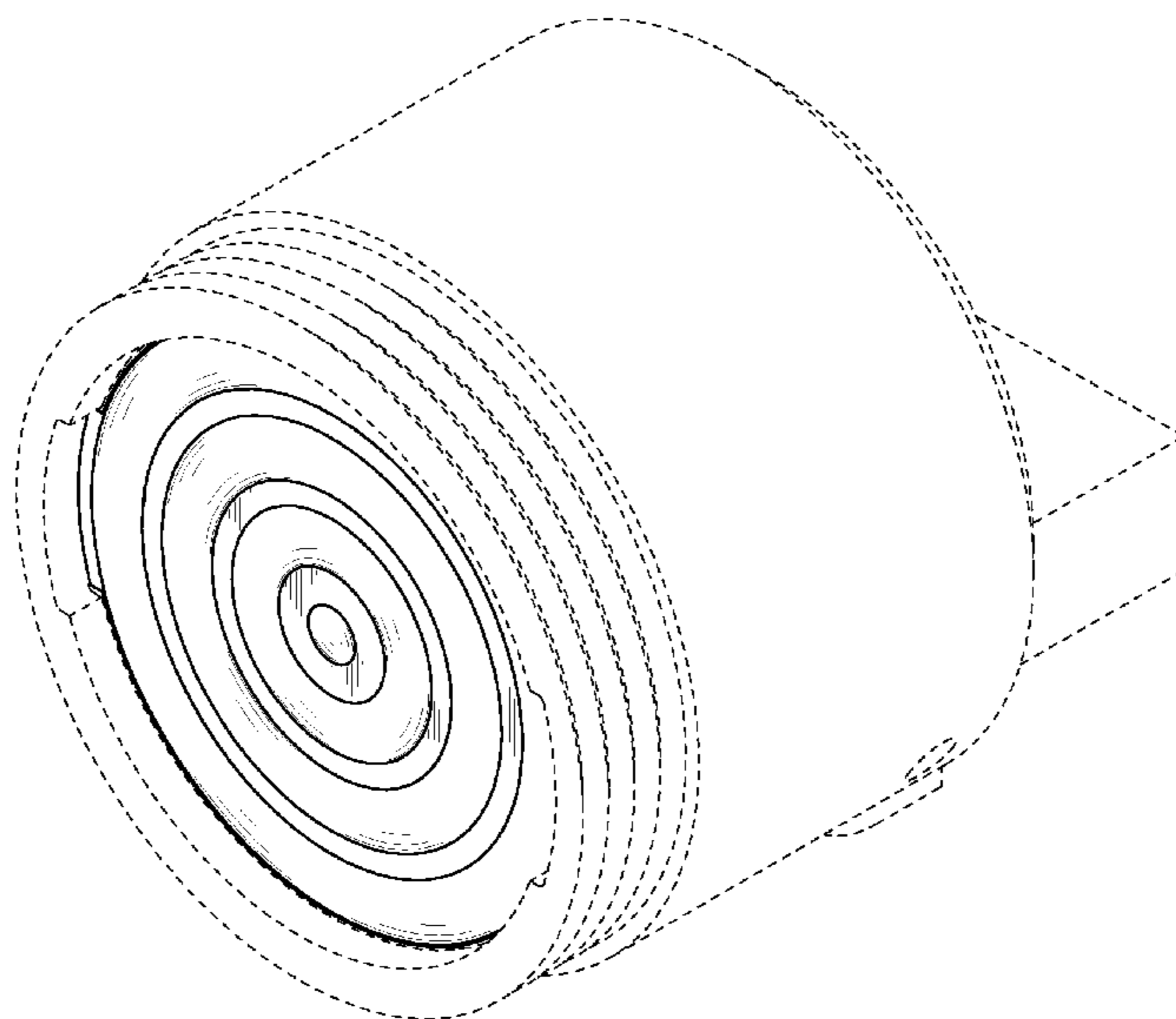


FIGURE 1

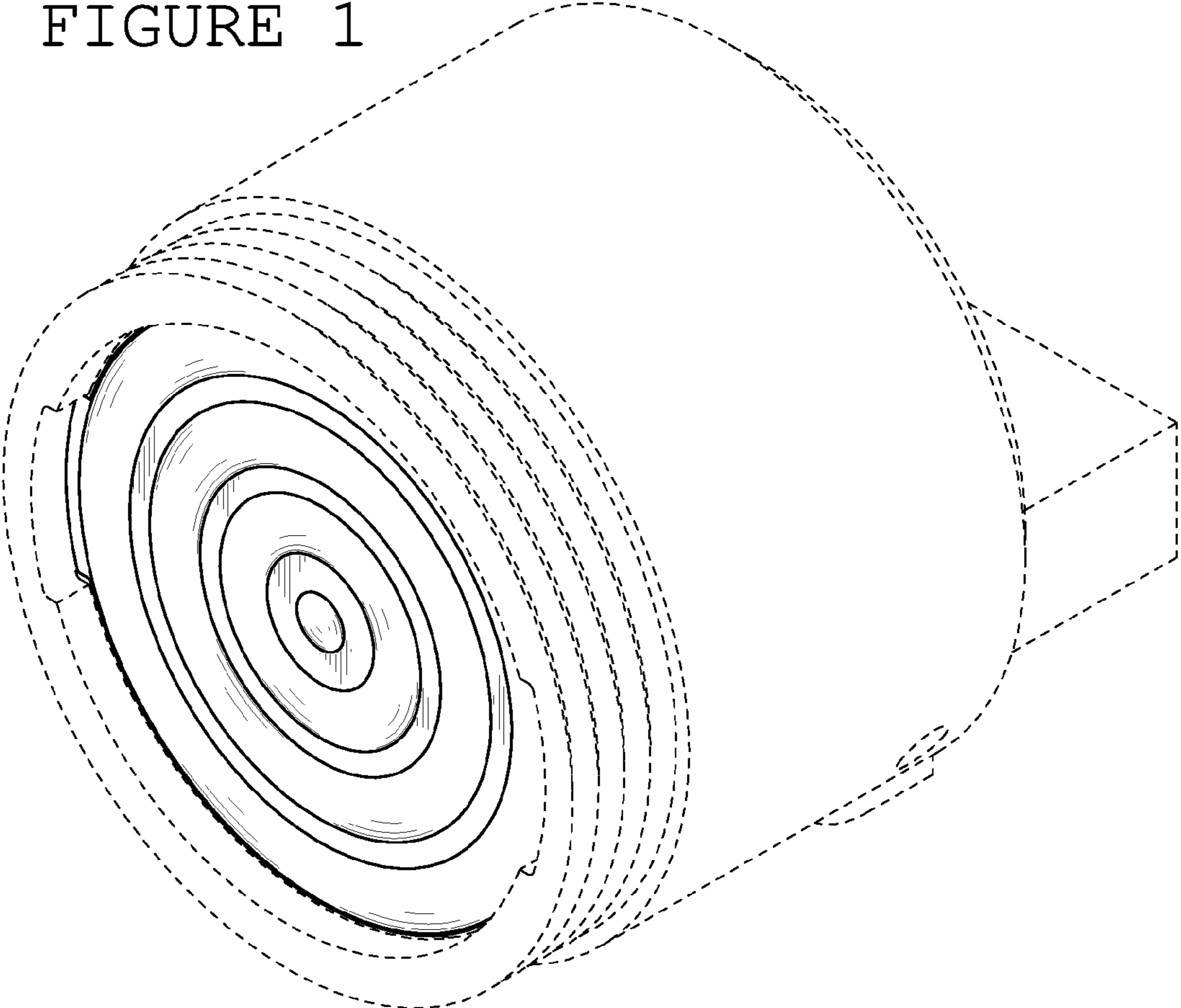


FIGURE 2

