



US00D693763S

(12) **United States Design Patent**
Ray et al.

(10) **Patent No.:** **US D693,763 S**

(45) **Date of Patent:** **** Nov. 19, 2013**

(54) **SUPERCHARGER PORT INDUCTION SYSTEM**

(75) Inventors: **Steven A. Ray**, Tigard, OR (US); **Randy Piersall**, Portland, OR (US)

(73) Assignee: **Pacific Power Boats, Inc.**, Portland, OR (US)

(**) Term: **14 Years**

(21) Appl. No.: **29/383,054**

(22) Filed: **Jan. 11, 2011**

(51) **LOC (9) Cl.** **13-02**

(52) **U.S. Cl.**
USPC **D13/108**

(58) **Field of Classification Search**
USPC D13/107–110, 118–119, 152, 184, 199;
D14/251, 253, 432, 434; 320/107–115
See application file for complete search history.

(56) **References Cited**

U.S. PATENT DOCUMENTS

D245,906 S *	9/1977	Taylor	D13/184
D306,594 S *	3/1990	Taylor	D14/253
D341,353 S *	11/1993	O	D13/152
D343,825 S *	2/1994	Enderby	D13/152
D348,870 S *	7/1994	Warrington	D13/152
D349,272 S *	8/1994	Sage	D13/107

D397,085 S *	8/1998	Blase	D13/118
D427,970 S *	7/2000	Sage	D13/118
D563,896 S *	3/2008	Greenslate	D13/152
7,919,948 B2 *	4/2011	Kikuchi	320/115
D640,192 S *	6/2011	Robinson et al.	D13/107
D640,982 S *	7/2011	Dixon et al.	D13/152
D676,814 S *	2/2013	Paul	D13/152

* cited by examiner

Primary Examiner — Rosemary K Tarca

(74) *Attorney, Agent, or Firm* — Klarquist Sparkman, LLP

(57) **CLAIM**

We claim the ornamental design for a supercharger port induction system, as shown and described.

DESCRIPTION

FIG. 1 is an oblique view of the supercharger port induction system, as viewed from the top and front.

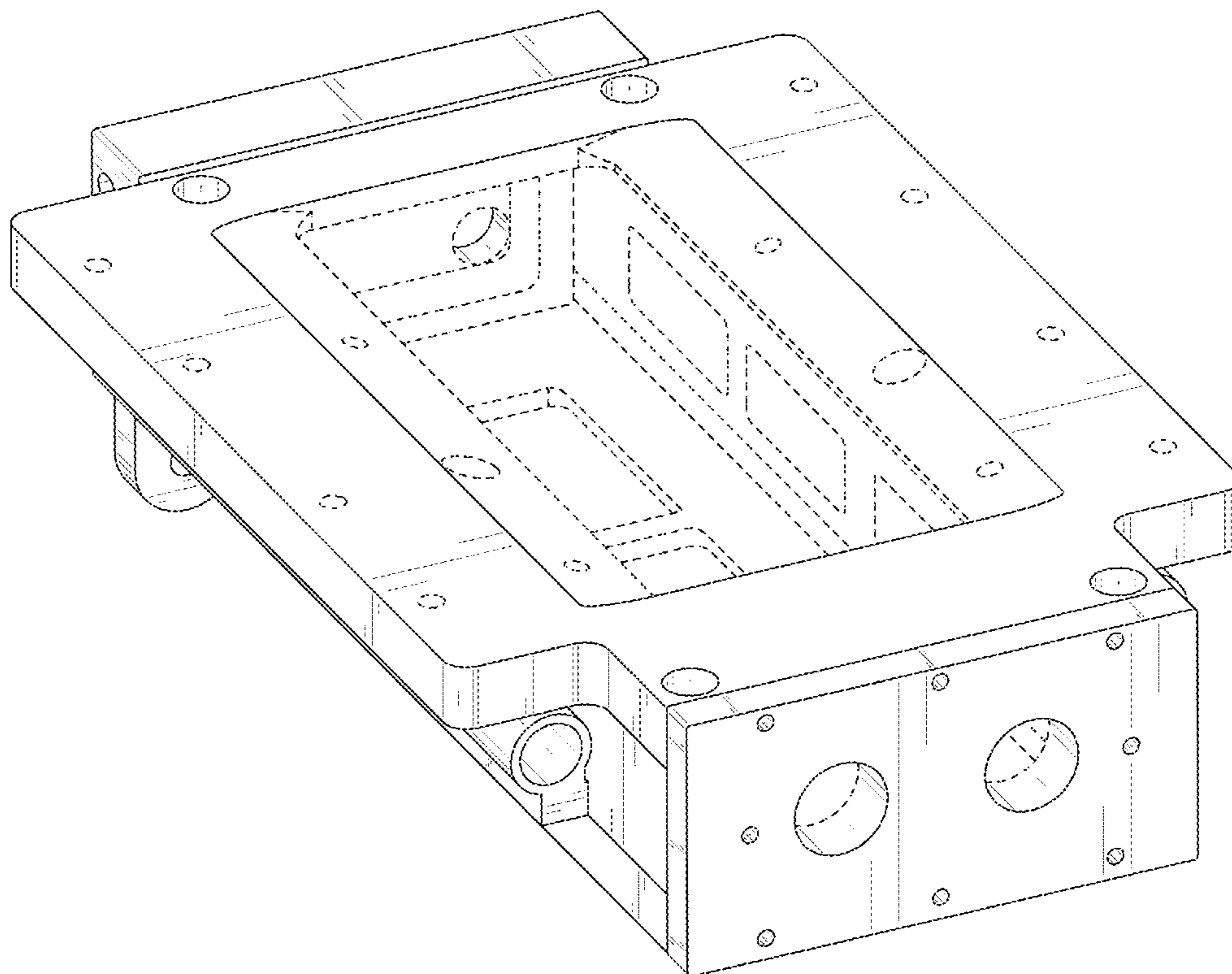
FIG. 2 is an oblique view of the supercharger port induction system, as viewed from the top and rear.

FIG. 3 is an oblique view of the supercharger port induction system, as viewed from the bottom and front, showing a right sidewall and rail; and,

FIG. 4 is an oblique view of the supercharger port induction system, as viewed from the bottom and front, showing a left sidewall and rail.

The dashed lines in the drawings are for illustrative purposes only and form no part of the claimed design.

1 Claim, 4 Drawing Sheets



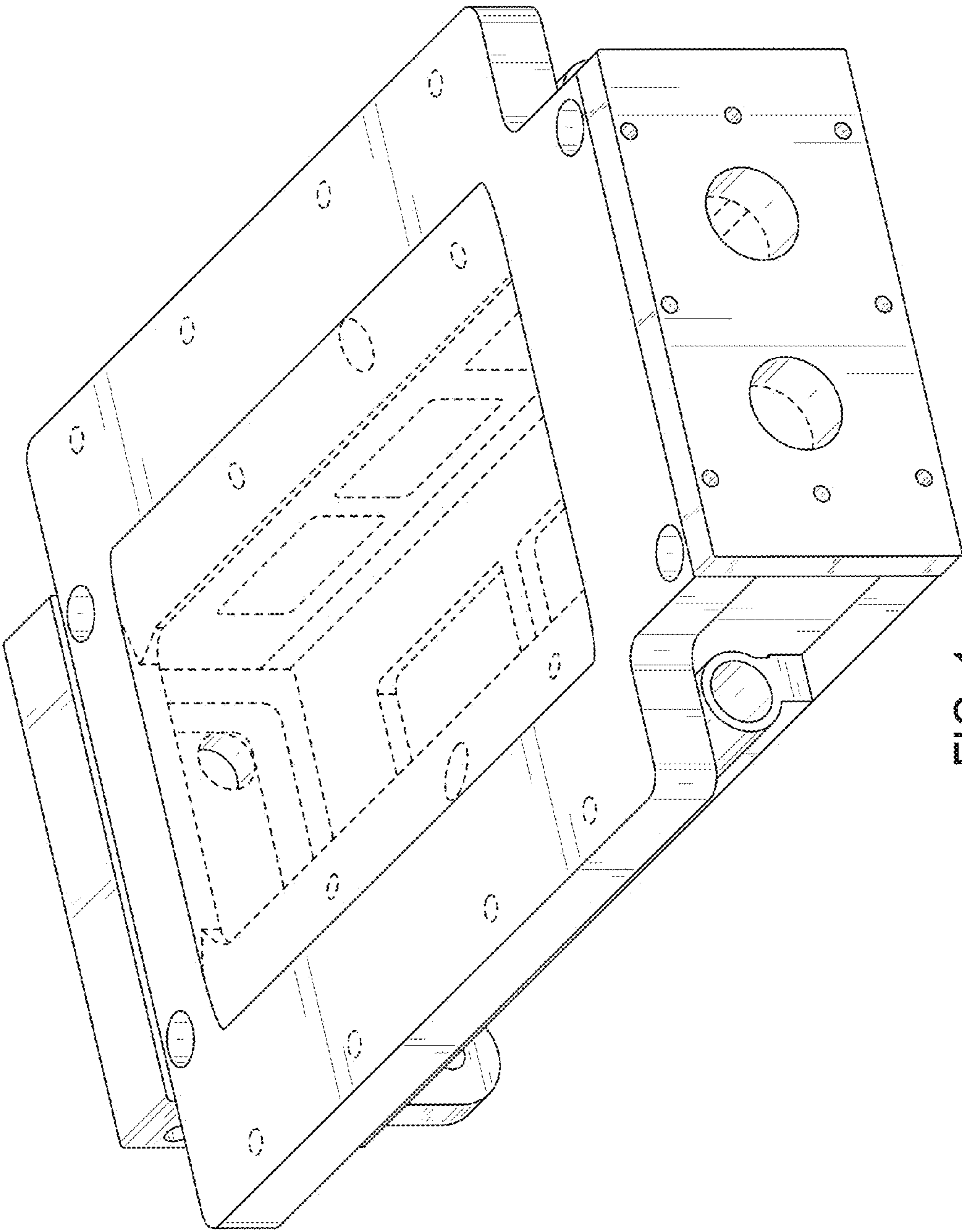


FIG. 1

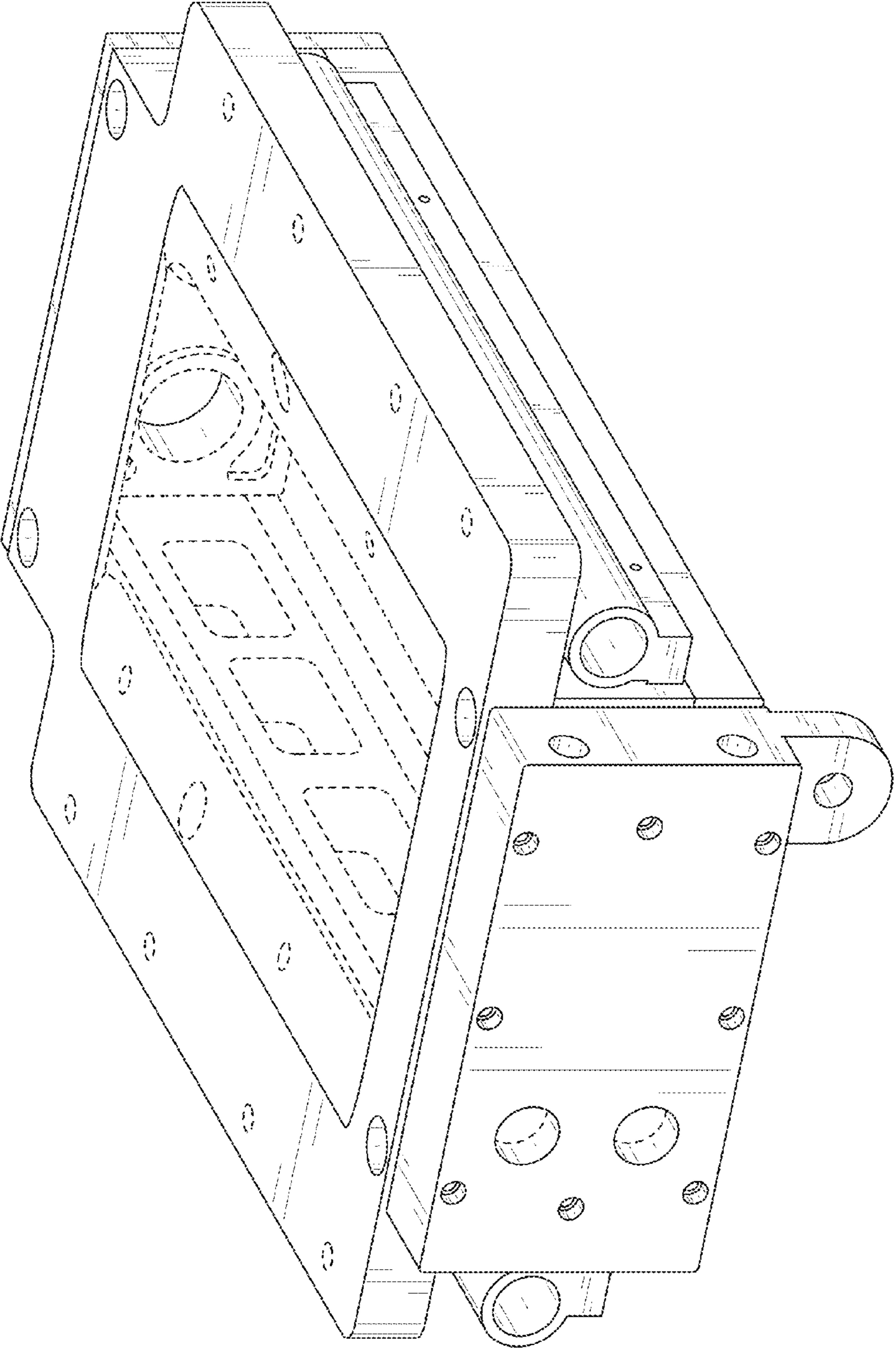


FIG. 2

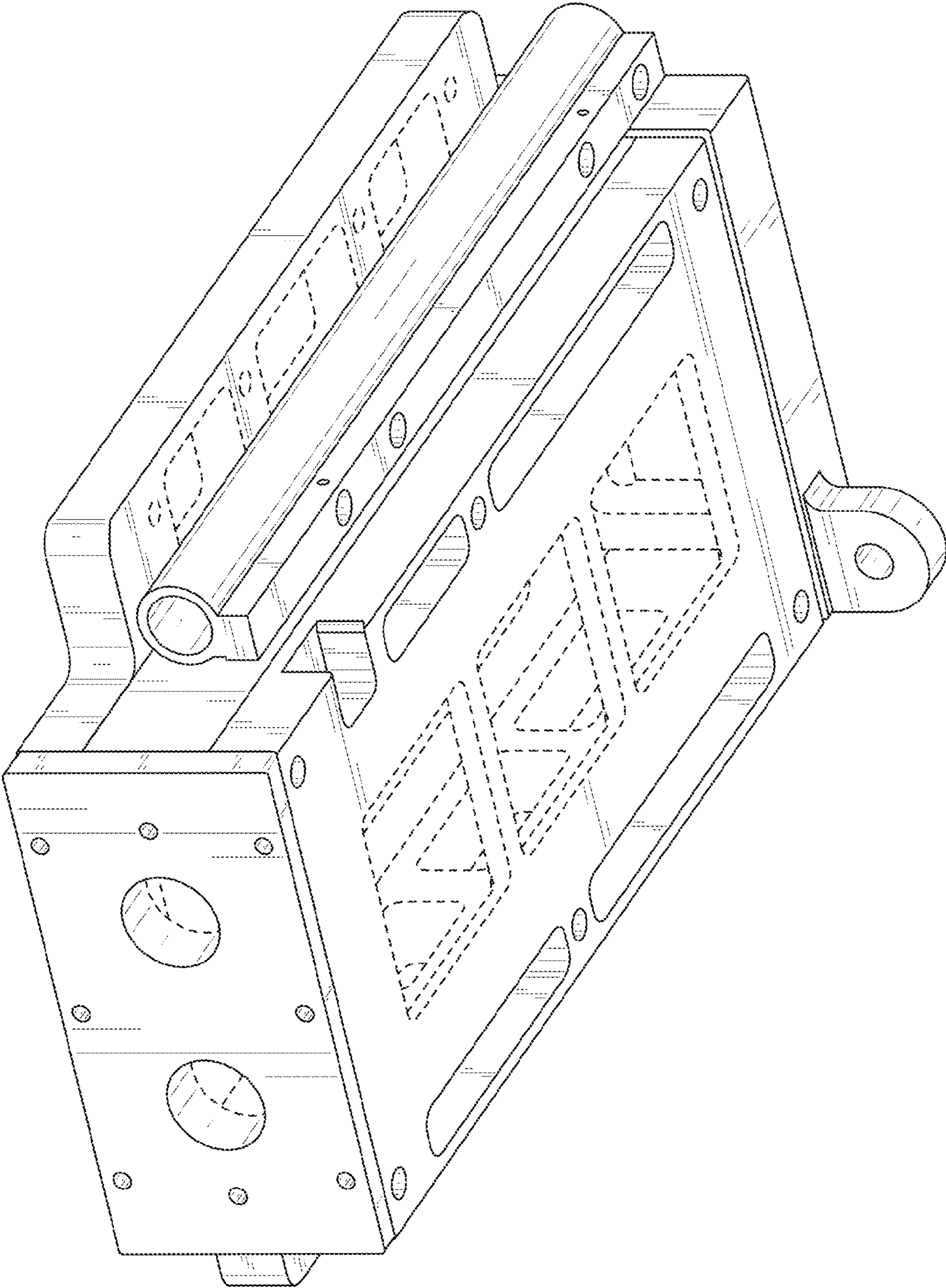


FIG. 3

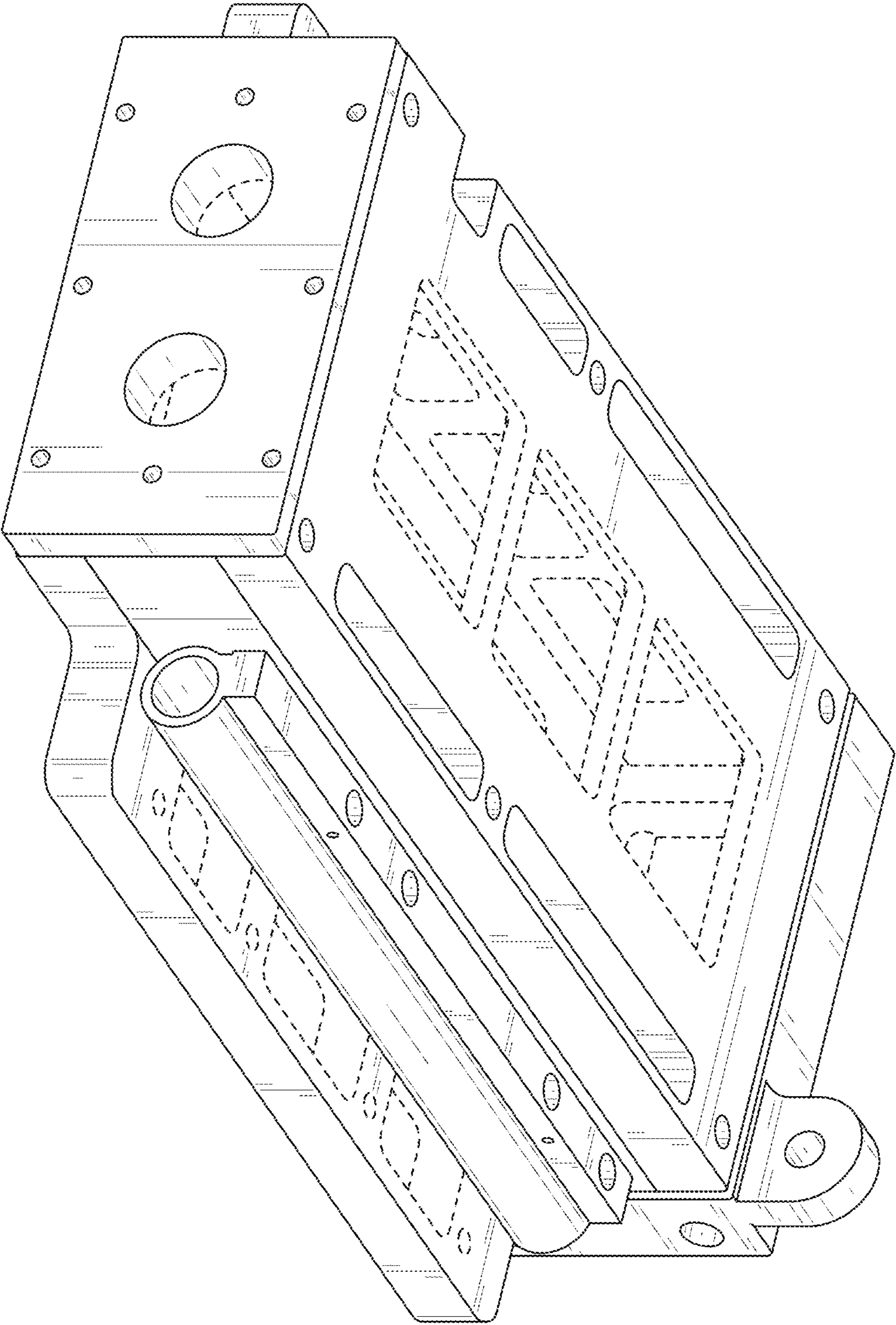


FIG. 4