



US00D693761S

(12) **United States Design Patent**
Nakamura

(10) **Patent No.:** **US D693,761 S**

(45) **Date of Patent:** **** Nov. 19, 2013**

(54) **SIDEWALL PORTION OF AN AUTOMOBILE TIRE**

(71) Applicant: **Takamitsu Nakamura**, Tokyo (JP)

(72) Inventor: **Takamitsu Nakamura**, Tokyo (JP)

(73) Assignee: **Bridgestone Corporation**, Tokyo (JP)

(**) Term: **14 Years**

(21) Appl. No.: **29/453,373**

(22) Filed: **Apr. 29, 2013**

(30) **Foreign Application Priority Data**

Nov. 5, 2012 (JP) 2012-026875

(51) **LOC (9) Cl.** **12-15**

(52) **U.S. Cl.**
USPC **D12/605**

(58) **Field of Classification Search**

USPC D12/500-501, 544, 579, 600-605;
152/523-524, DIG. 12, 555; D7/588,
D7/396.4-396.5

See application file for complete search history.

(56) **References Cited**

U.S. PATENT DOCUMENTS

D452,203 S *	12/2001	Kajikawa	D12/605
D477,810 S	7/2003	Budich et al.		
D569,337 S *	5/2008	Iwabuchi	D12/605
D588,532 S *	3/2009	Shondel	D12/605
D605,583 S *	12/2009	Scheifele	D12/605
D632,641 S *	2/2011	Sato	D12/605
D650,323 S *	12/2011	Morito et al.	D12/605
D662,466 S *	6/2012	Takano	D12/605
D666,143 S *	8/2012	Sato	D12/605
D671,066 S *	11/2012	Morito et al.	D12/605
D678,832 S *	3/2013	Fontaine et al.	D12/605

FOREIGN PATENT DOCUMENTS

JP	1269489 S	4/2006
JP	1269621 S	4/2006
JP	1367780 S	8/2009
JP	1369171 S	9/2009
JP	1401939 S	11/2010
JP	1442260 S	6/2012
JP	1458267 S	12/2012
JP	1466304 S	4/2013

OTHER PUBLICATIONS

Japanese Design Gazette issued in Japanese Design Application No. 2012-026875 dated Jul. 1, 2013.

* cited by examiner

Primary Examiner — Stacia Cadmus

(74) *Attorney, Agent, or Firm* — Sughrue Mion, PLLC

(57) **CLAIM**

The ornamental design for a sidewall portion of an automobile tire, as shown and described.

DESCRIPTION

FIG. 1 is a perspective view of a sidewall portion of an automobile tire according to my new design;

FIG. 2 is a front view thereof;

FIG. 3 is a top view thereof;

FIG. 4 is a right side view thereof;

FIG. 5 is a left side view thereof;

FIG. 6 is a rear view thereof;

FIG. 7 is a bottom view thereof;

FIG. 8 is a fragmentary enlarged view showing the details of the sidewall portion defined by cross-section by lines A-A and B-B in FIG. 2;

FIG. 9 is an end view taken along lines 9-9 between C-C in FIG. 8;

FIG. 10 is a fragmentary enlarged view of the left side view; and,

FIG. 11 is a section view taking along line 11-11 in FIG. 10.

1 Claim, 11 Drawing Sheets

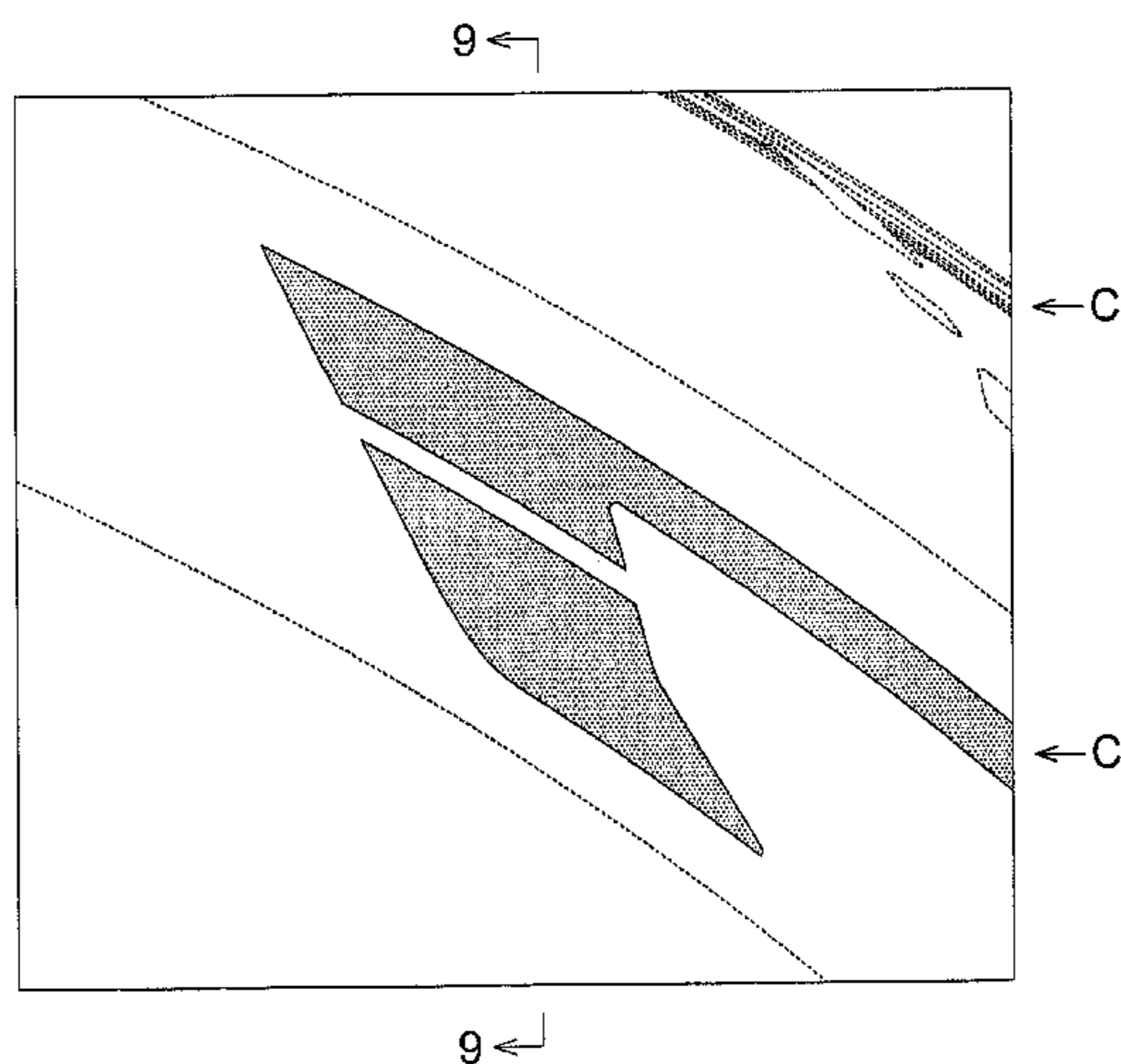
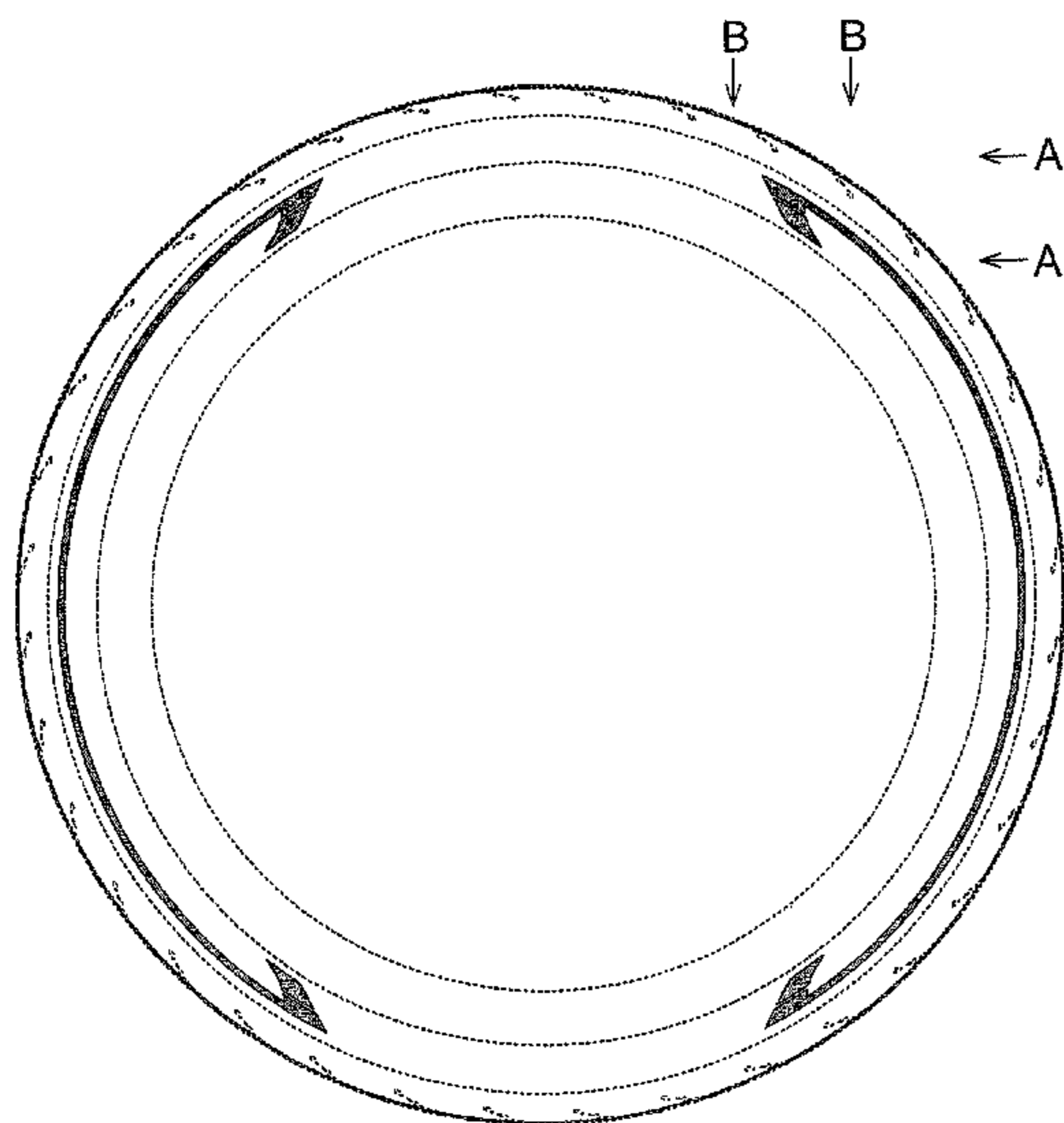


FIG. 1

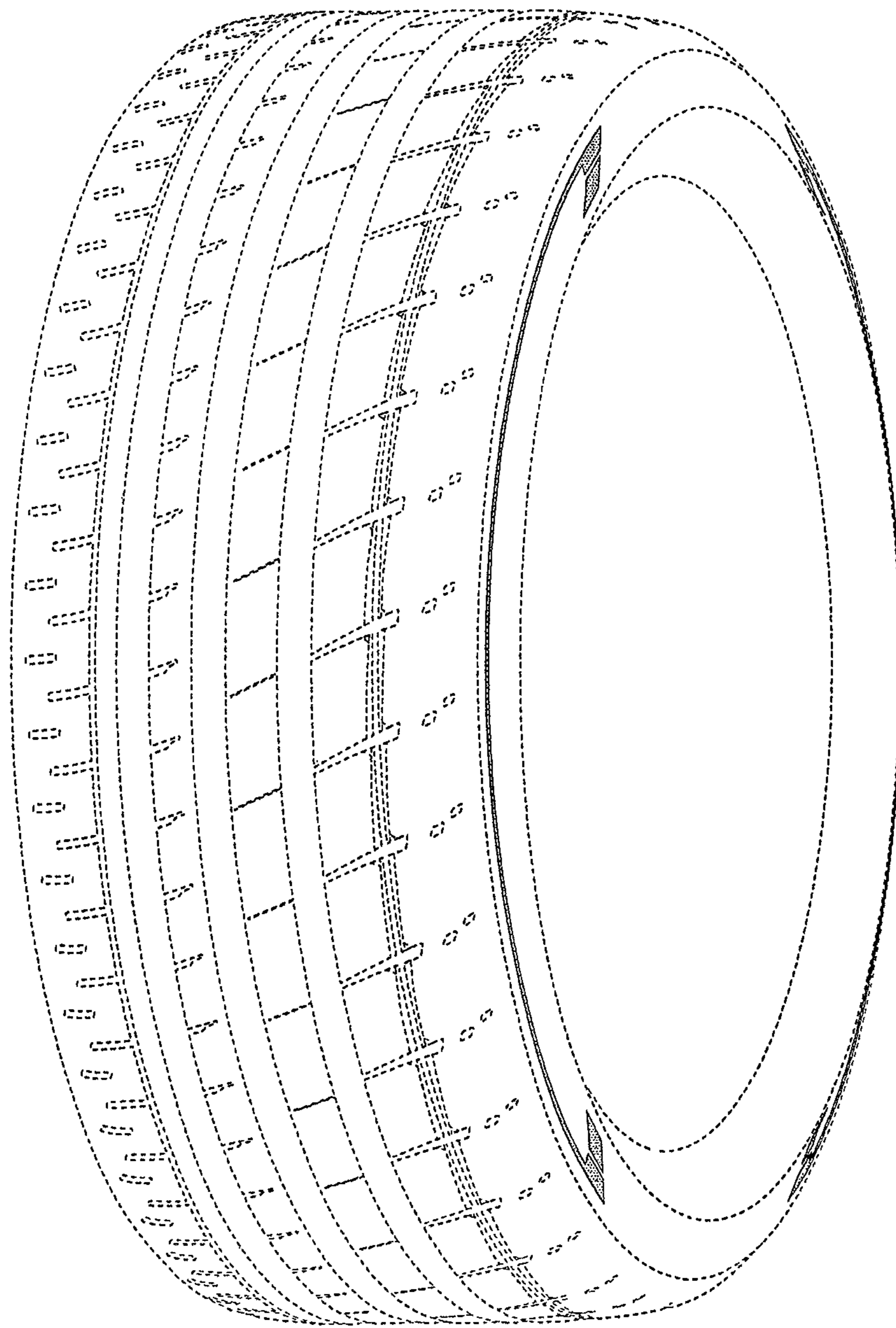


FIG. 2

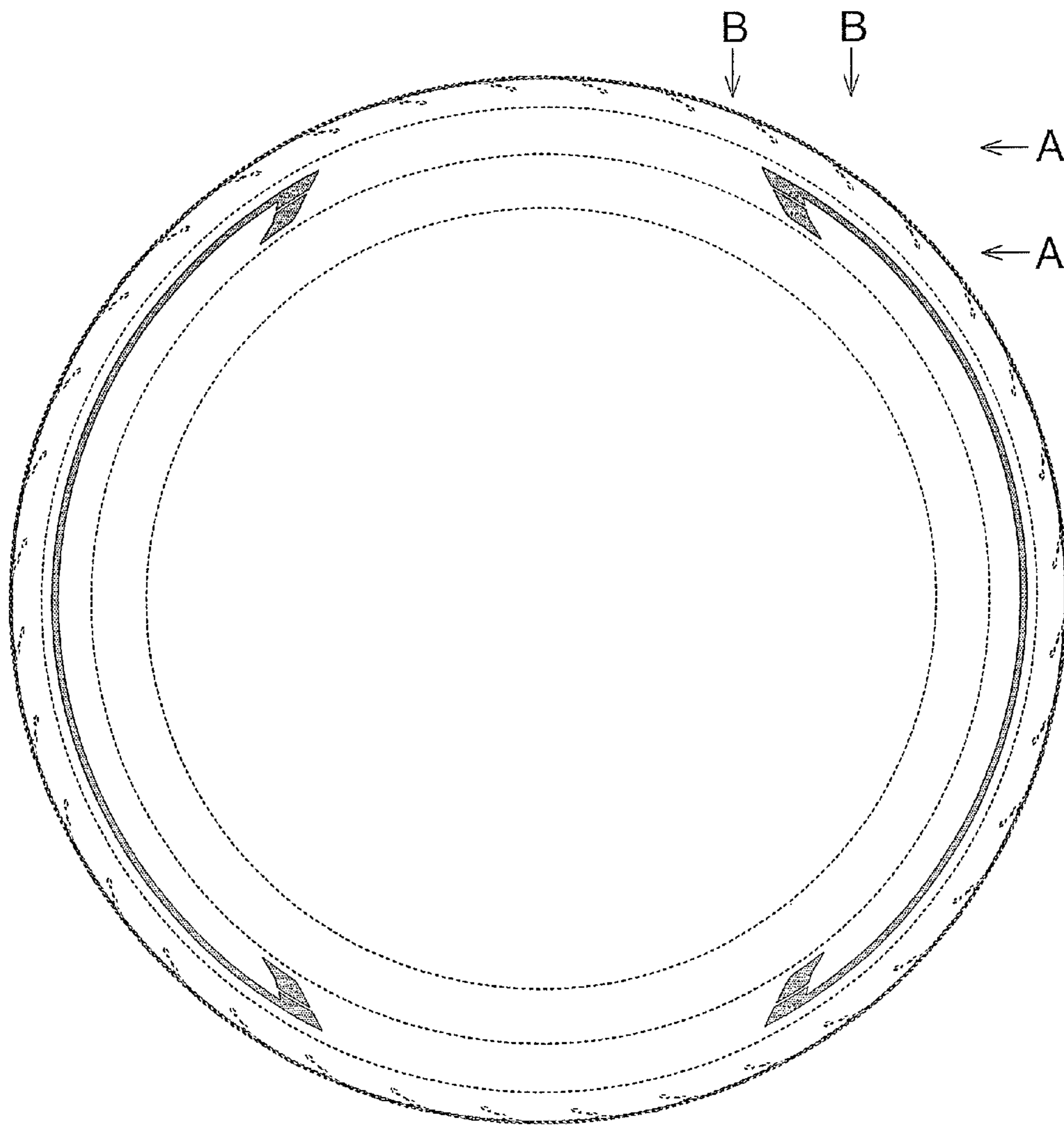


FIG. 3

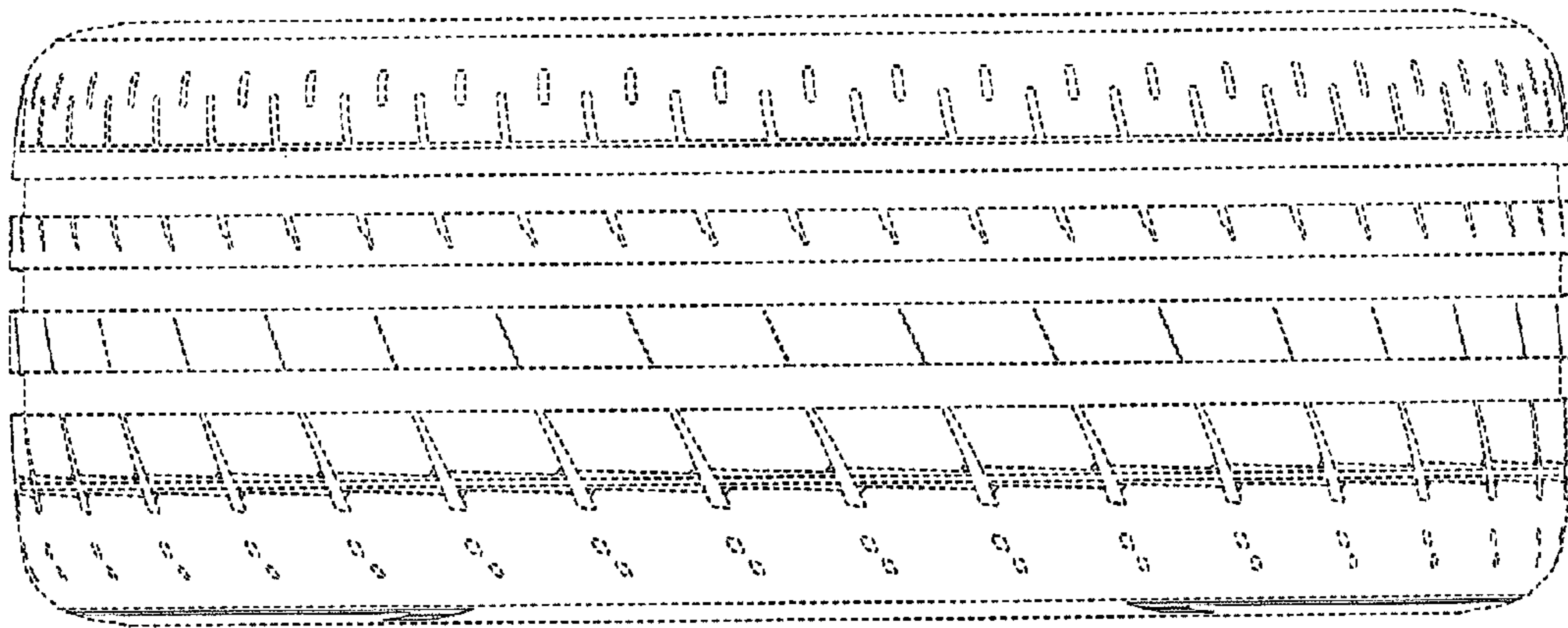


FIG. 4

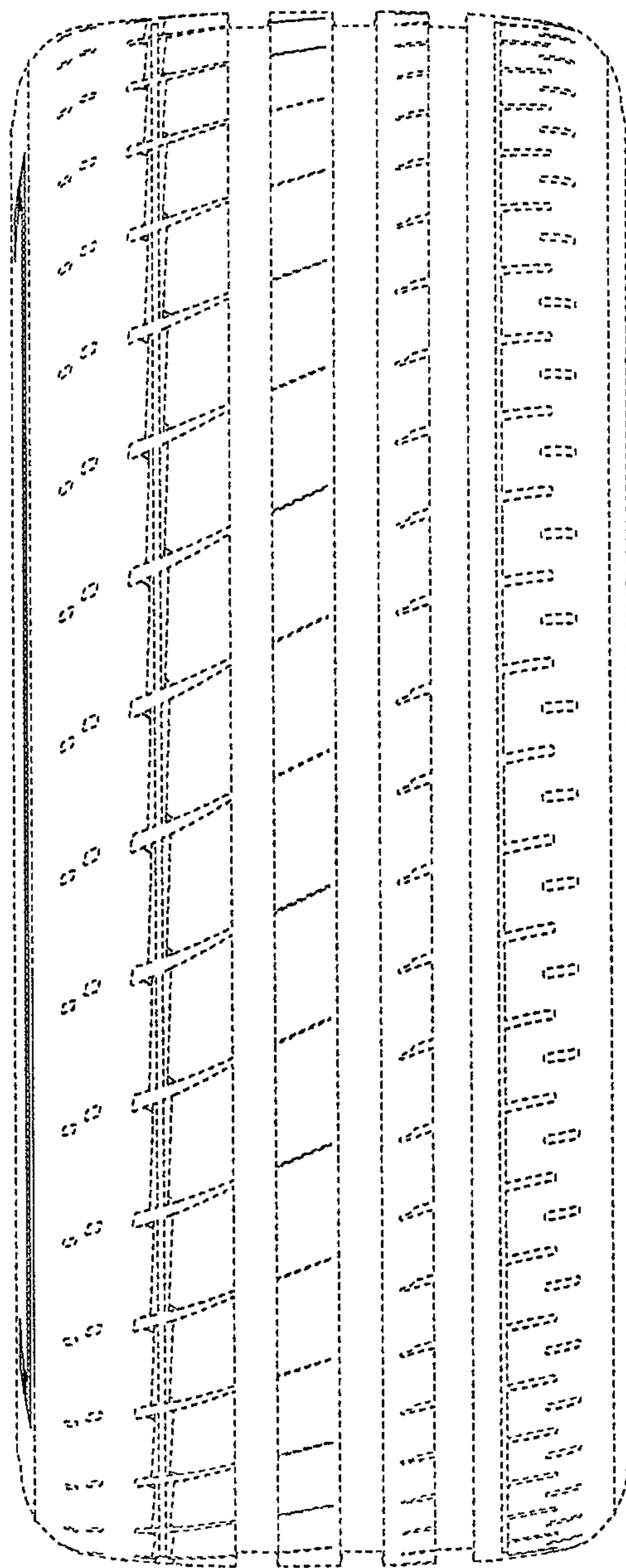


FIG. 5

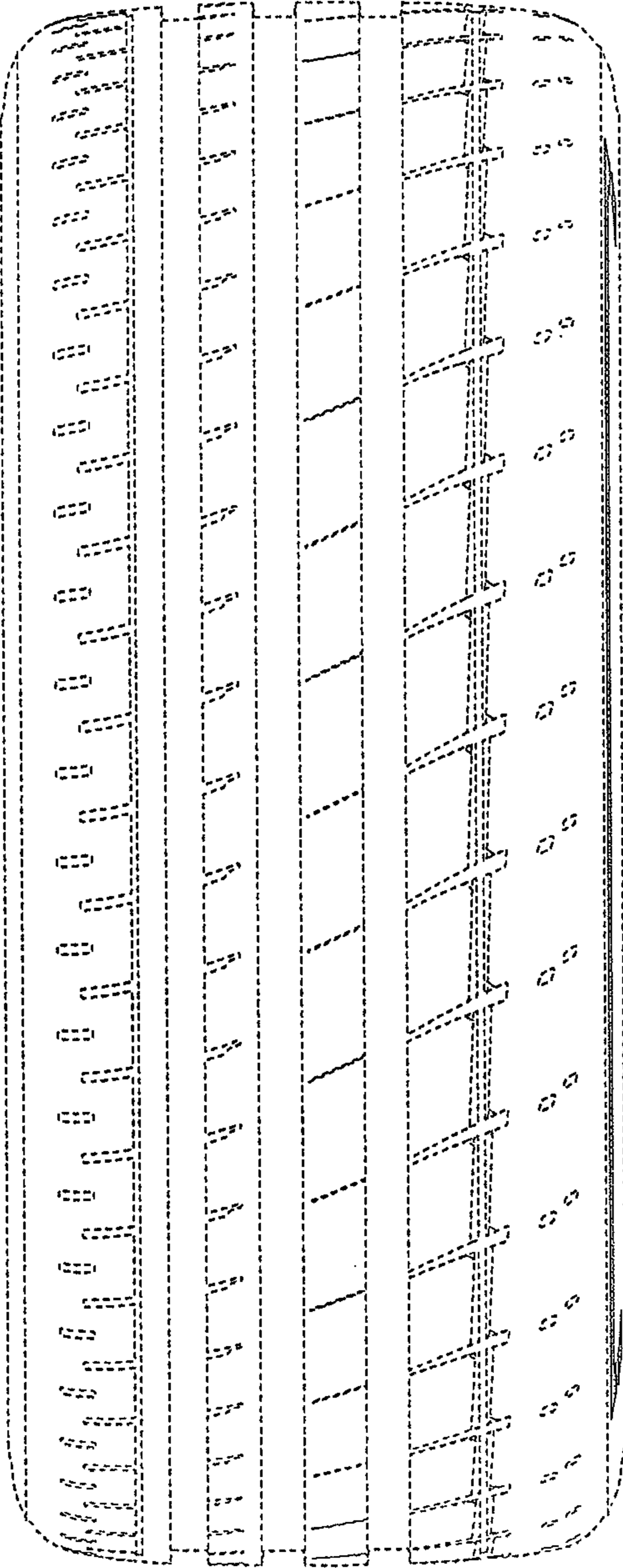


FIG. 6

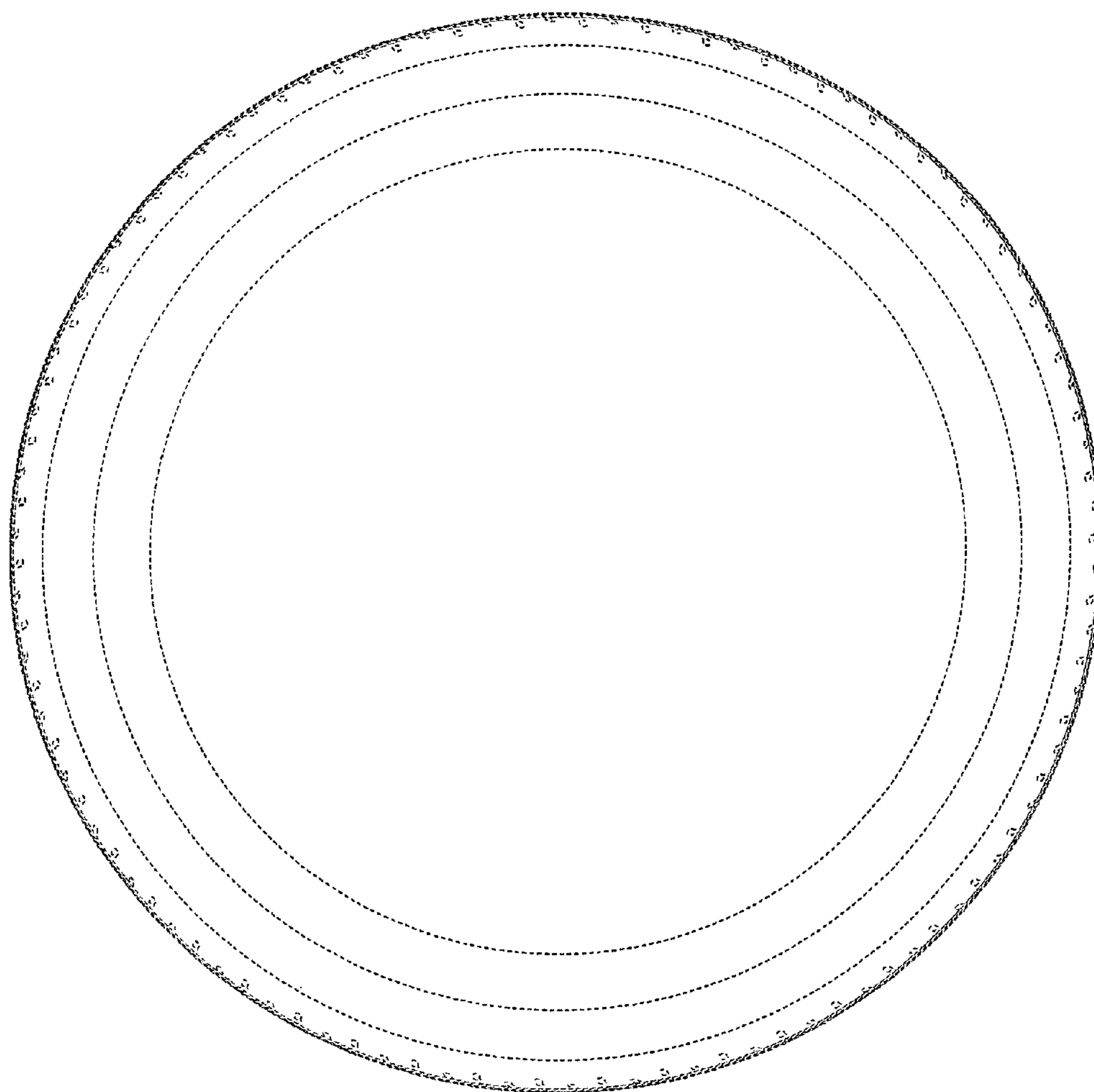


FIG. 7

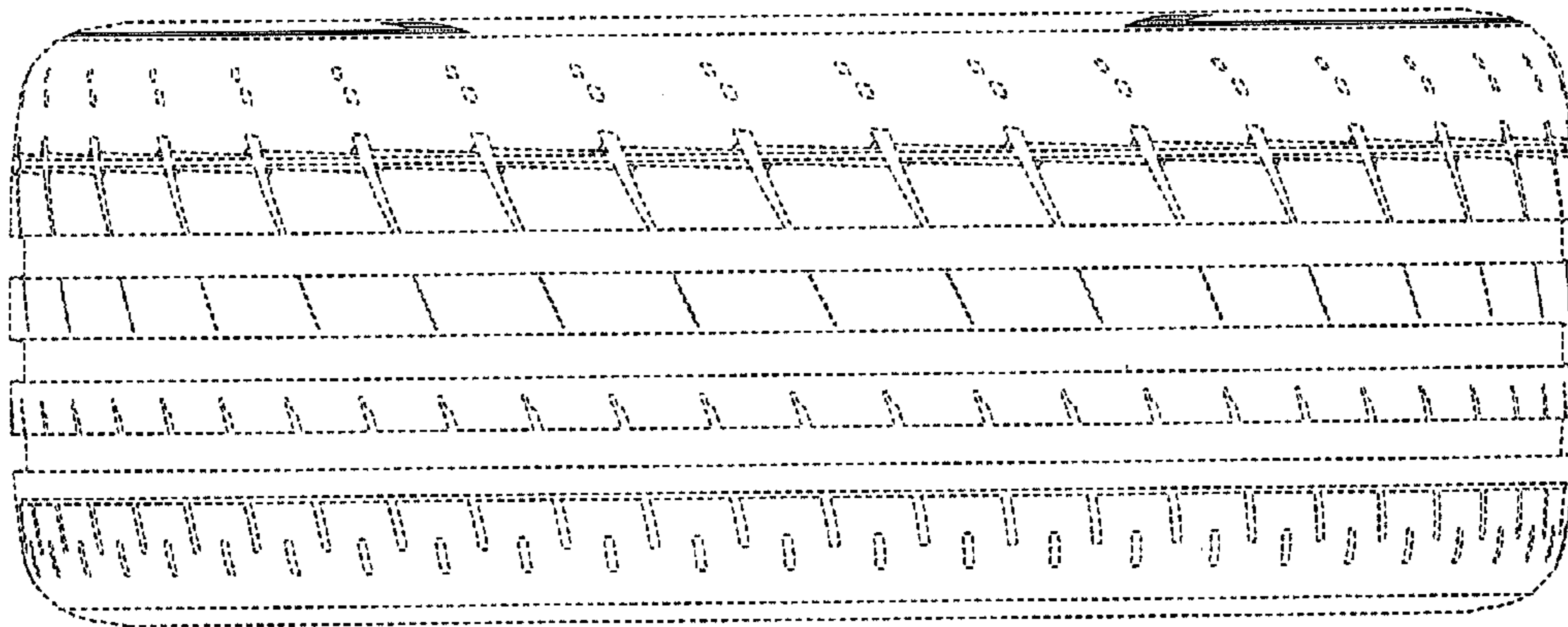


FIG. 8

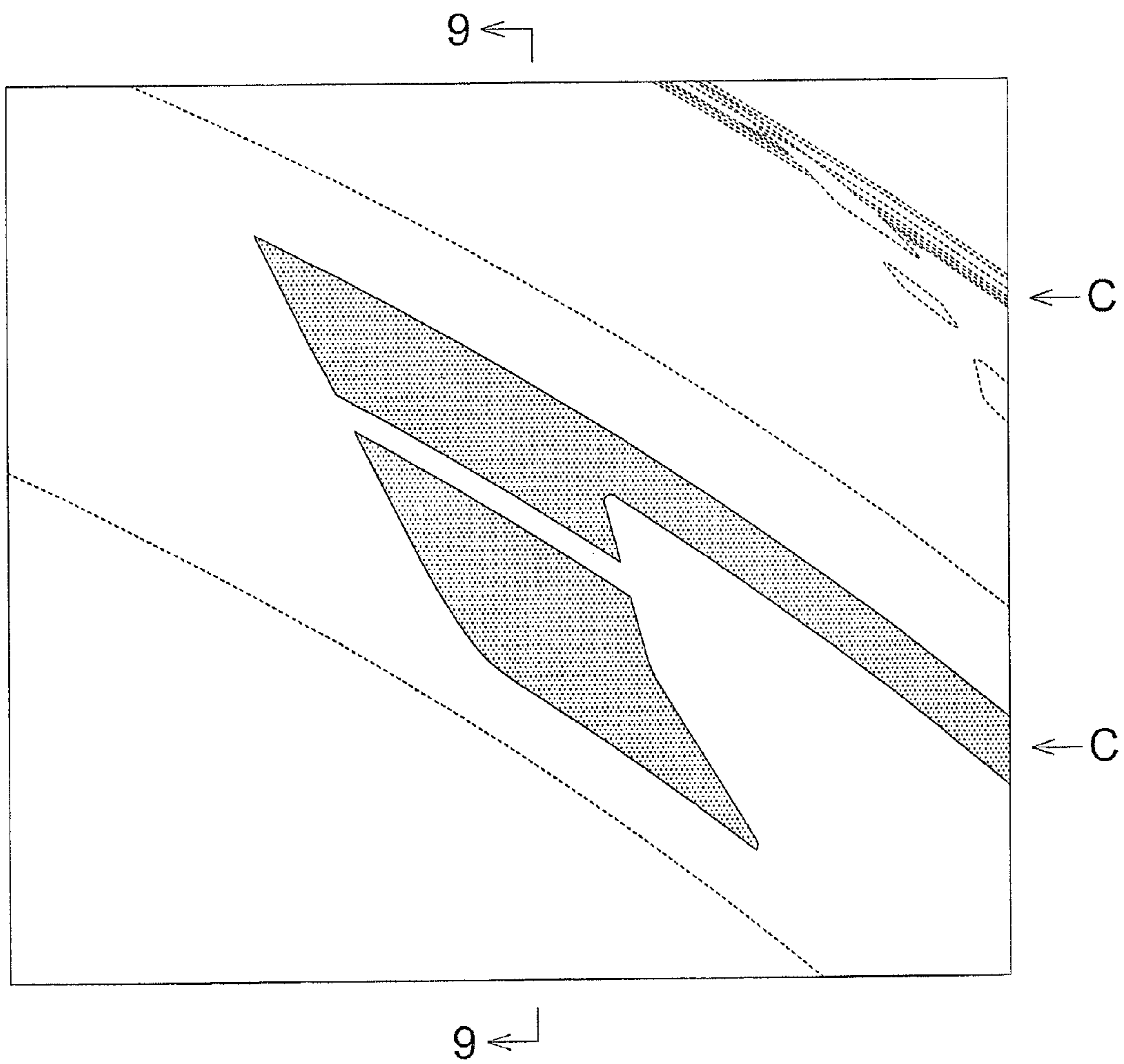


FIG. 9

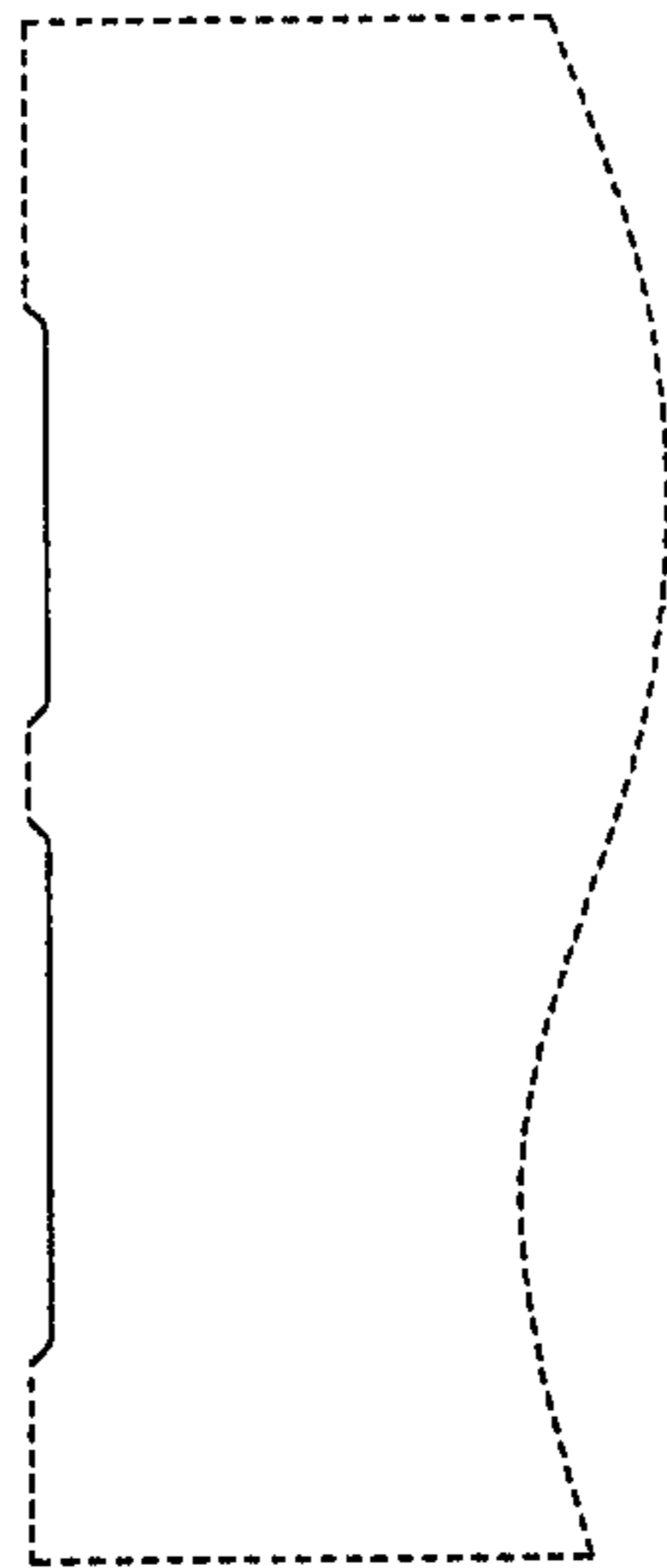


FIG. 10

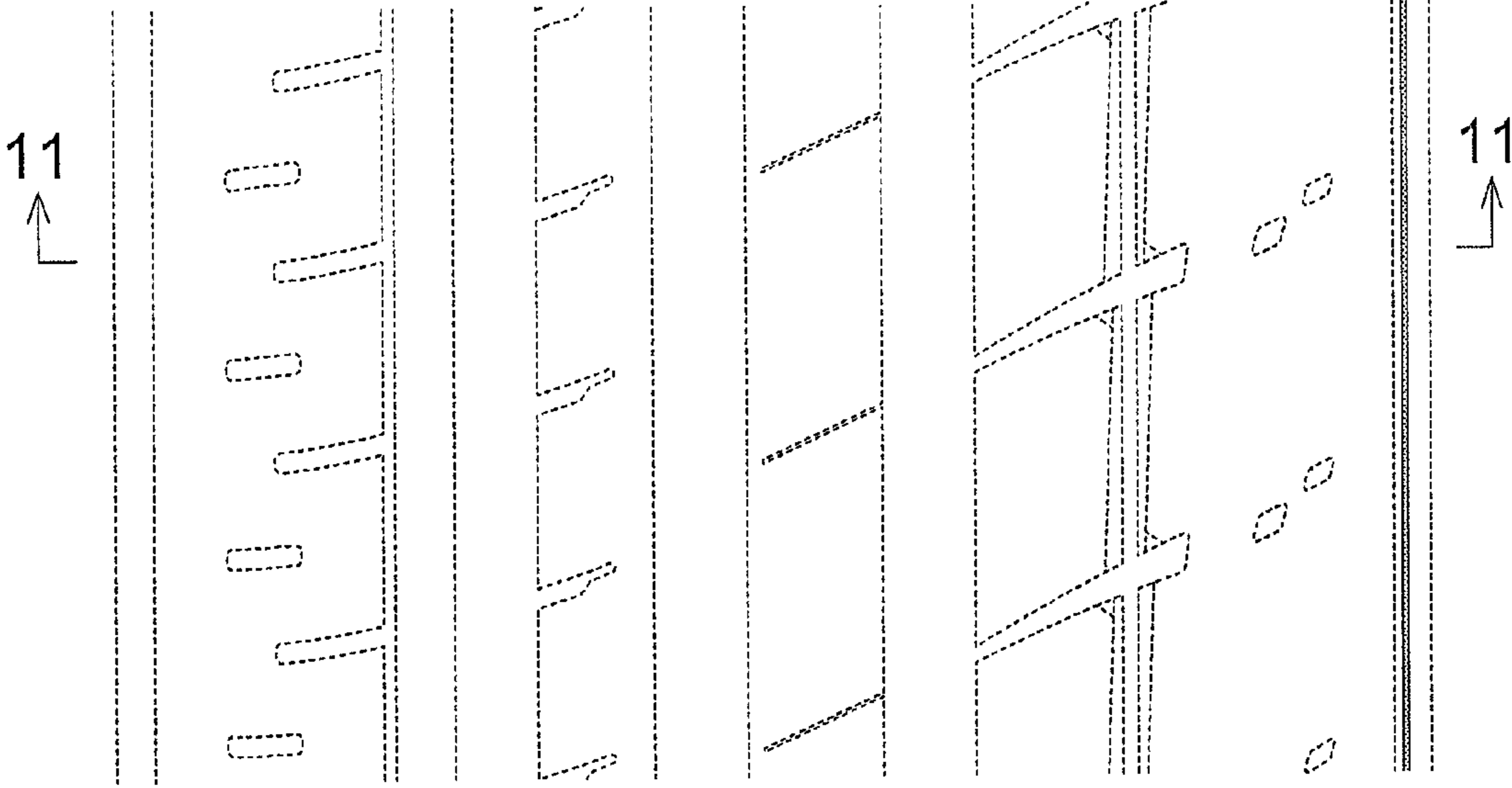


FIG. 11

