



US00D693760S

(12) **United States Design Patent**
Weaver et al.

(10) **Patent No.:** **US D693,760 S**

(45) **Date of Patent:** **** Nov. 19, 2013**

(54) **FORK-MOUNTING BICYCLE CARRIER**

(75) Inventors: **Gregor G. Weaver**, Waterbury, CT (US);
Joseph R. Flaherty, Prospect, CT (US);
Timothy J. Makris, Seymour, CT (US);
Thomas J. Hanson, Rye, NY (US); **Ian**
Quarrier McLeran, Woodbury, CT
(US); **John R. Laverack**, Southbury, CT
(US)

(73) Assignee: **Thule Sweden AB**, Hillerstorp (SE)

(**) Term: **14 Years**

(21) Appl. No.: **29/431,842**

(22) Filed: **Sep. 11, 2012**

(51) **LOC (9) Cl.** **12-11**

(52) **U.S. Cl.**
USPC **D12/408**

(58) **Field of Classification Search**
USPC D12/408, 412, 407, 414.1; 224/400,
224/401, 500-511, 522-537, 309-311, 324,
224/42.11, 42.12, 42.27, 42.29, 924, 424;
280/304.5, 202; 211/17-22

See application file for complete search history.

(56) **References Cited**

U.S. PATENT DOCUMENTS

3,912,139	A *	10/1975	Bowman	410/3
4,646,952	A *	3/1987	Timmers	224/485
D300,813	S *	4/1989	Kamaya	D12/412
D300,814	S *	4/1989	Kamaya	D12/412
D561,680	S *	2/2008	Foley et al.	D12/408
D562,218	S *	2/2008	Foley et al.	D12/408
D566,034	S *	4/2008	Davis et al.	D12/408

D622,208	S *	8/2010	Sautter et al.	D12/408
D623,117	S *	9/2010	Farber	D12/408
D635,086	S *	3/2011	Shen	D12/408
2008/0073395	A1 *	3/2008	Reeves et al.	224/324

* cited by examiner

Primary Examiner — Susan M Lee

Assistant Examiner — Linda Brooks

(74) *Attorney, Agent, or Firm* — Novak Druce Connolly
Bove + Quigg LLP

(57) **CLAIM**

We claim the ornamental design for a fork-mounting bicycle carrier, as shown and described.

DESCRIPTION

FIG. 1 is a perspective view of a fork-mounting bicycle carrier;

FIG. 2 an alternate perspective view thereof;

FIG. 3 is a front elevational view thereof;

FIG. 4 is a rear elevational view thereof;

FIG. 5 is a right side elevational view thereof;

FIG. 6 is a left side elevational view thereof;

FIG. 7 is a top plan view thereof;

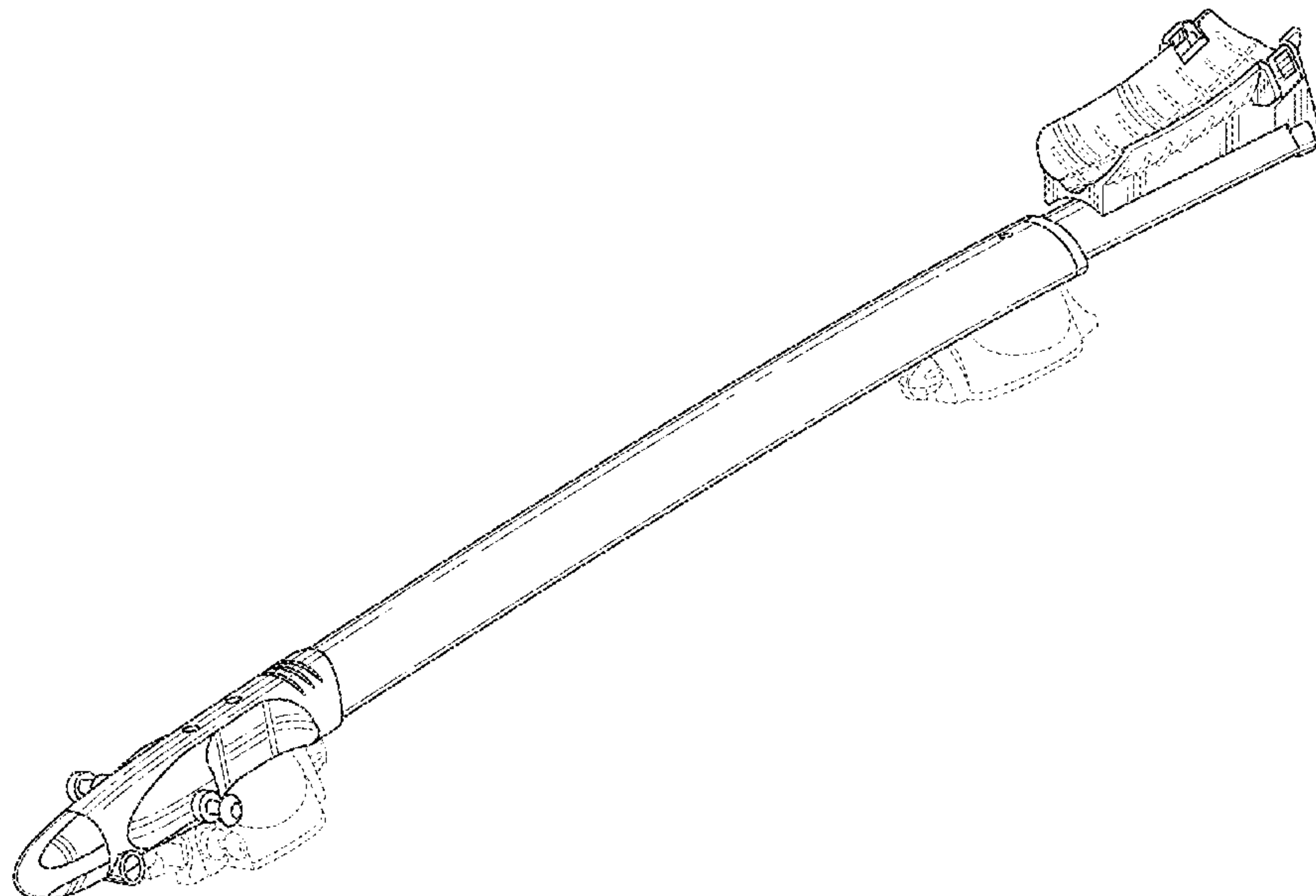
FIG. 8 is a bottom plan view thereof;

FIG. 9 is an enlarged cross-sectional view thereof taken along axis 8-8 from FIG. 7; and,

FIG. 10 is an enlarged cross-sectional view thereof taken along axis 9-9 from FIG. 7.

The broken lines are directed to environment and are for illustrative purposes only; the broken lines form no part of the claimed design. The cross-sectional views in FIGS. 9 and 10 are to illustrate surface contours of the design; internal structures form no part of the claimed design.

1 Claim, 9 Drawing Sheets



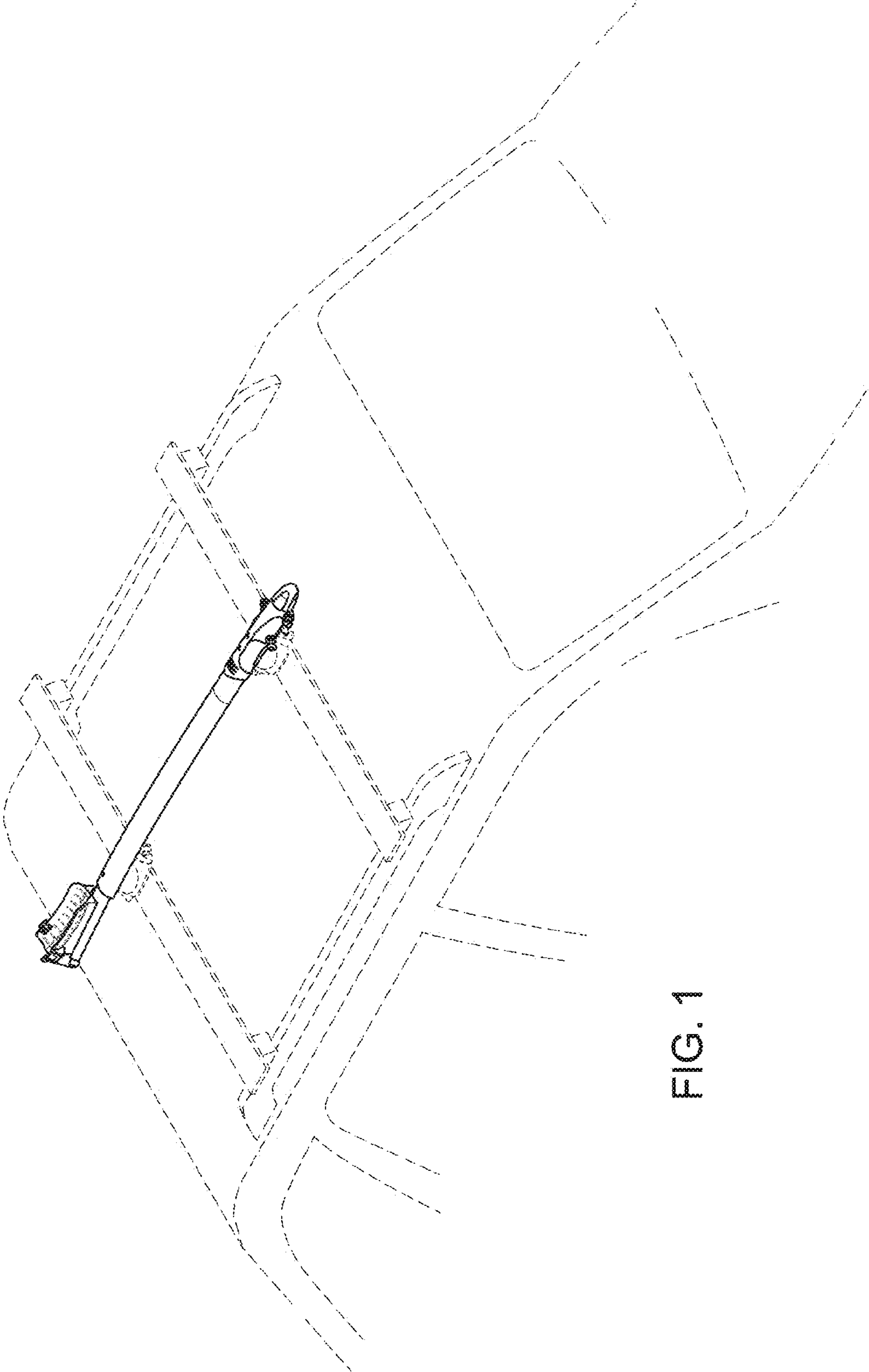


FIG. 1

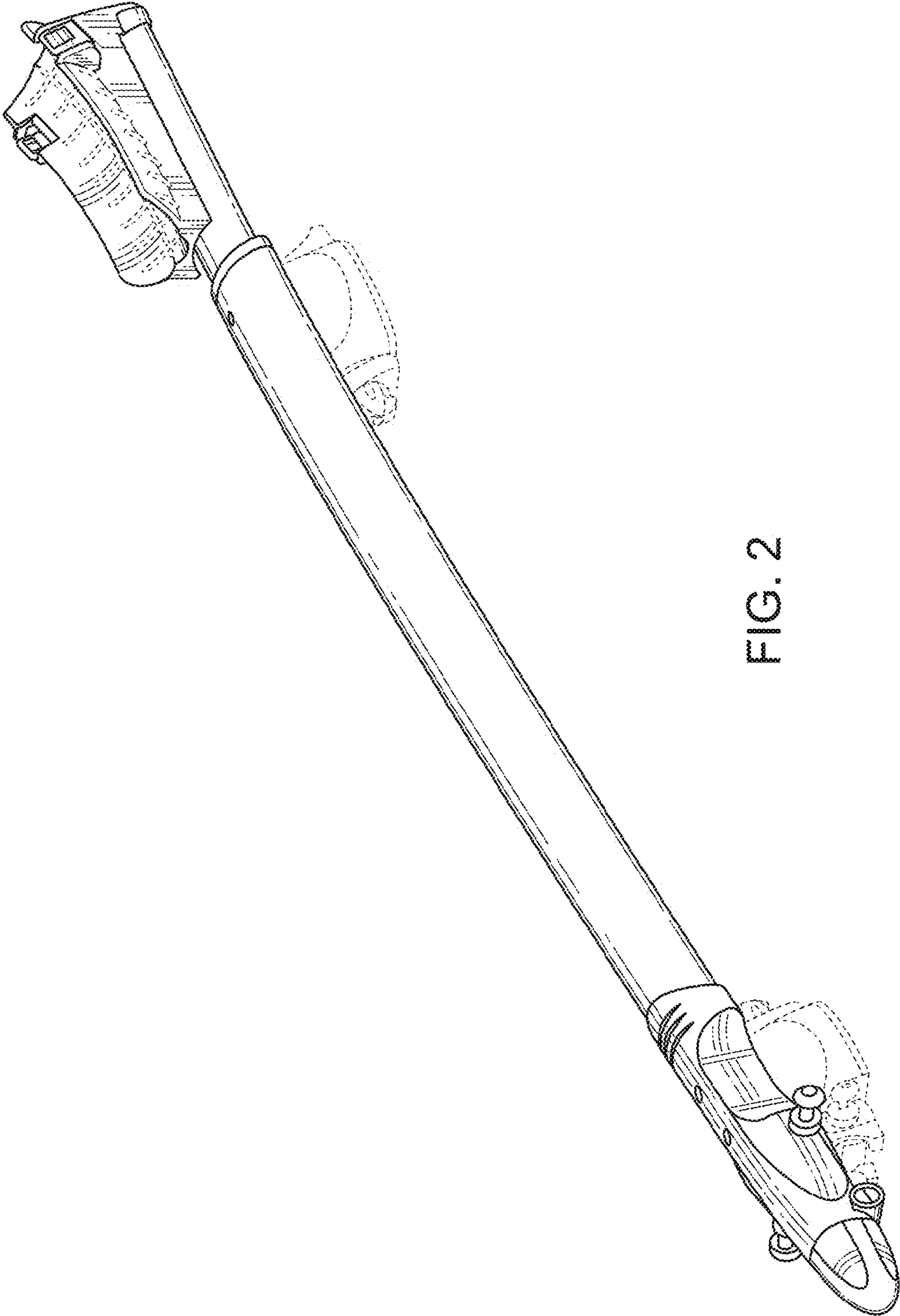


FIG. 2

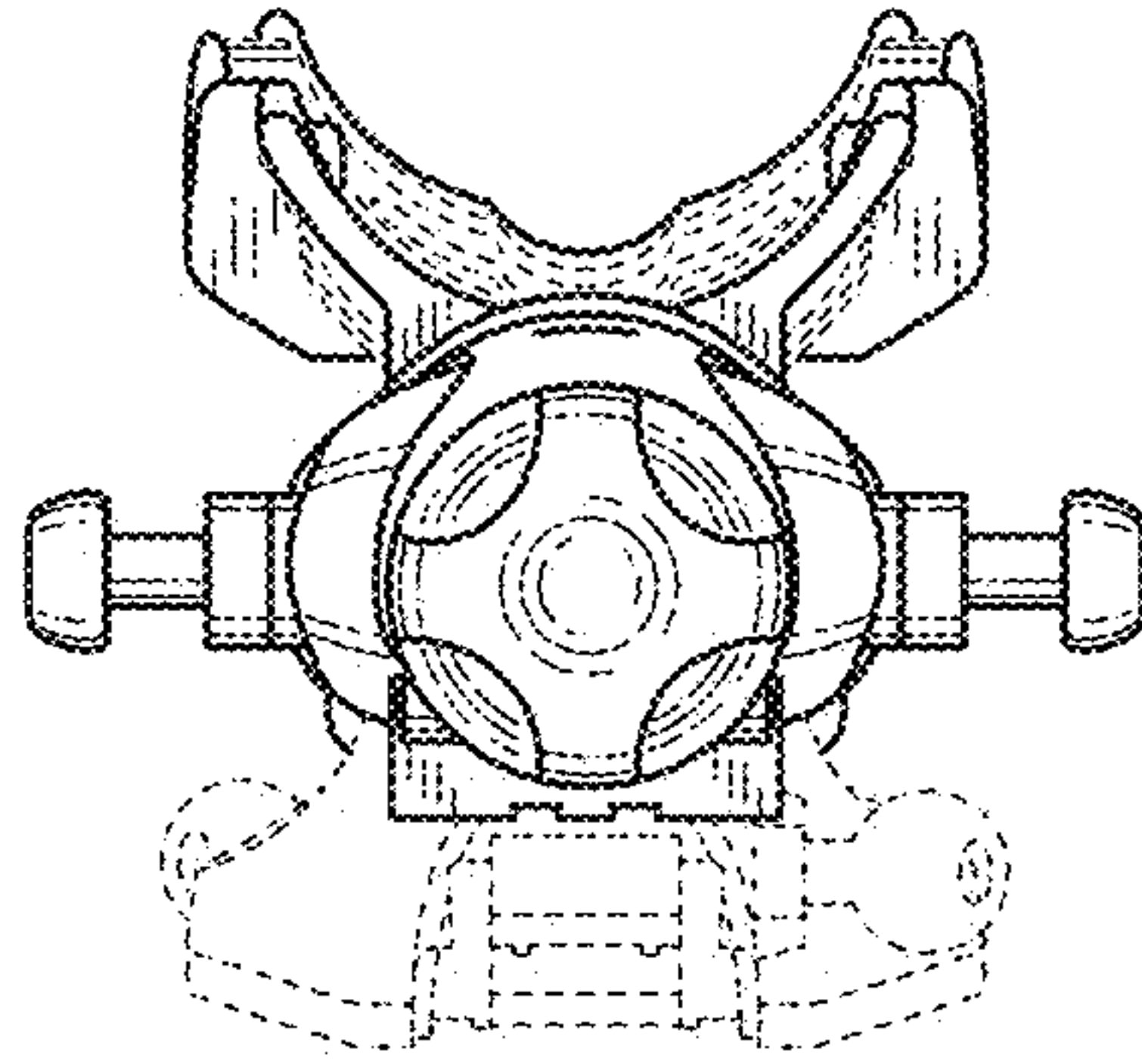


FIG. 3

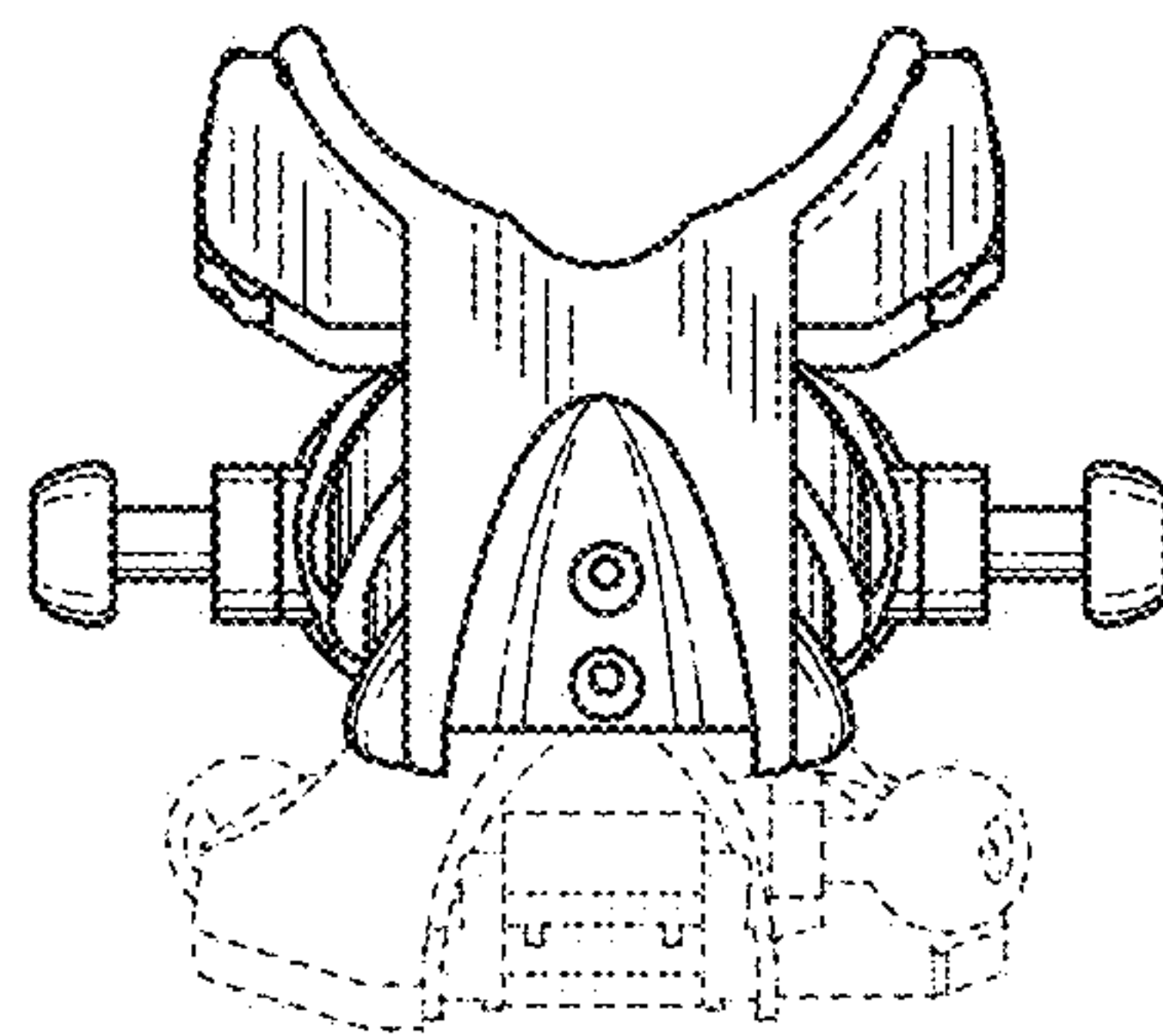


FIG. 4

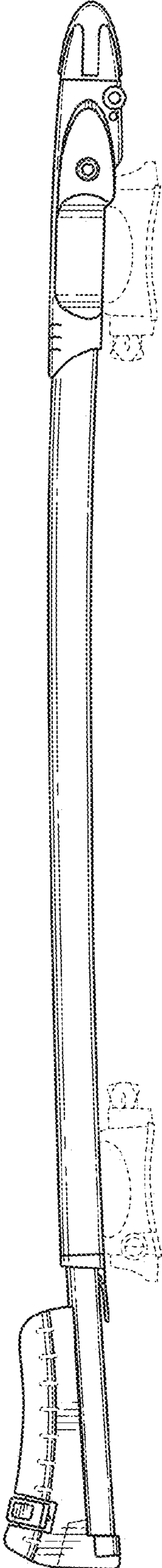


FIG. 5

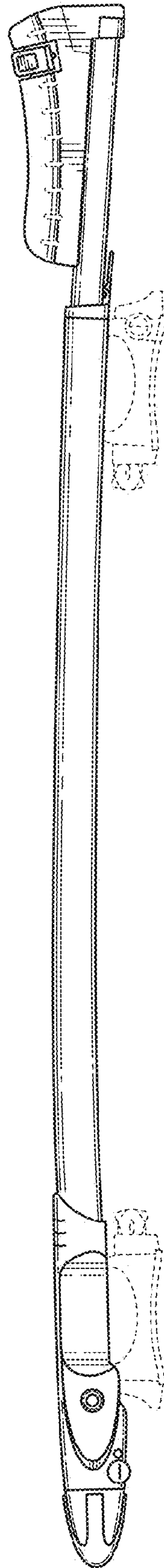


FIG. 6

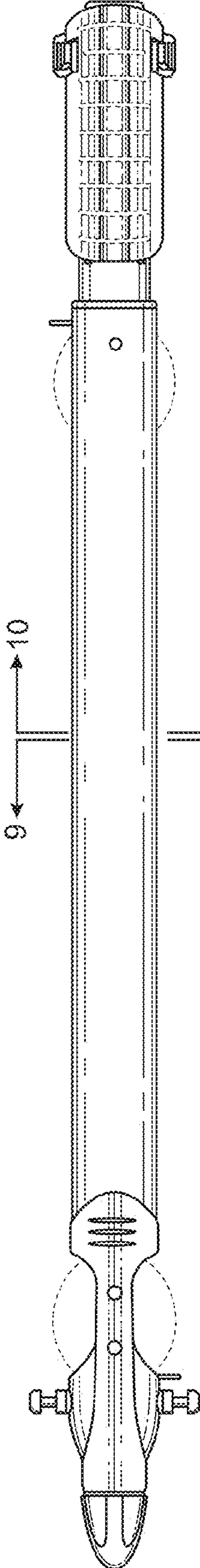


FIG. 7

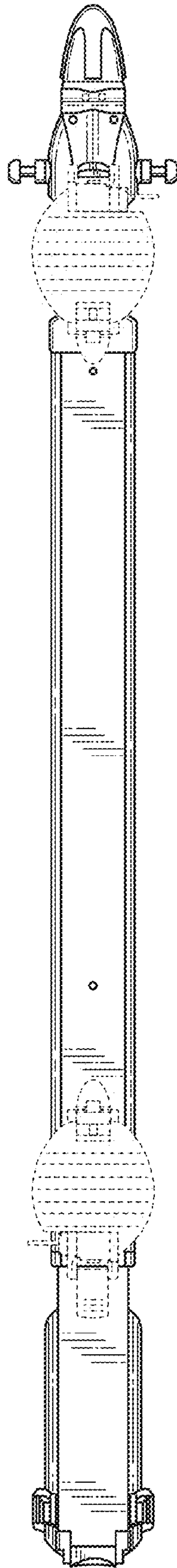


FIG. 8

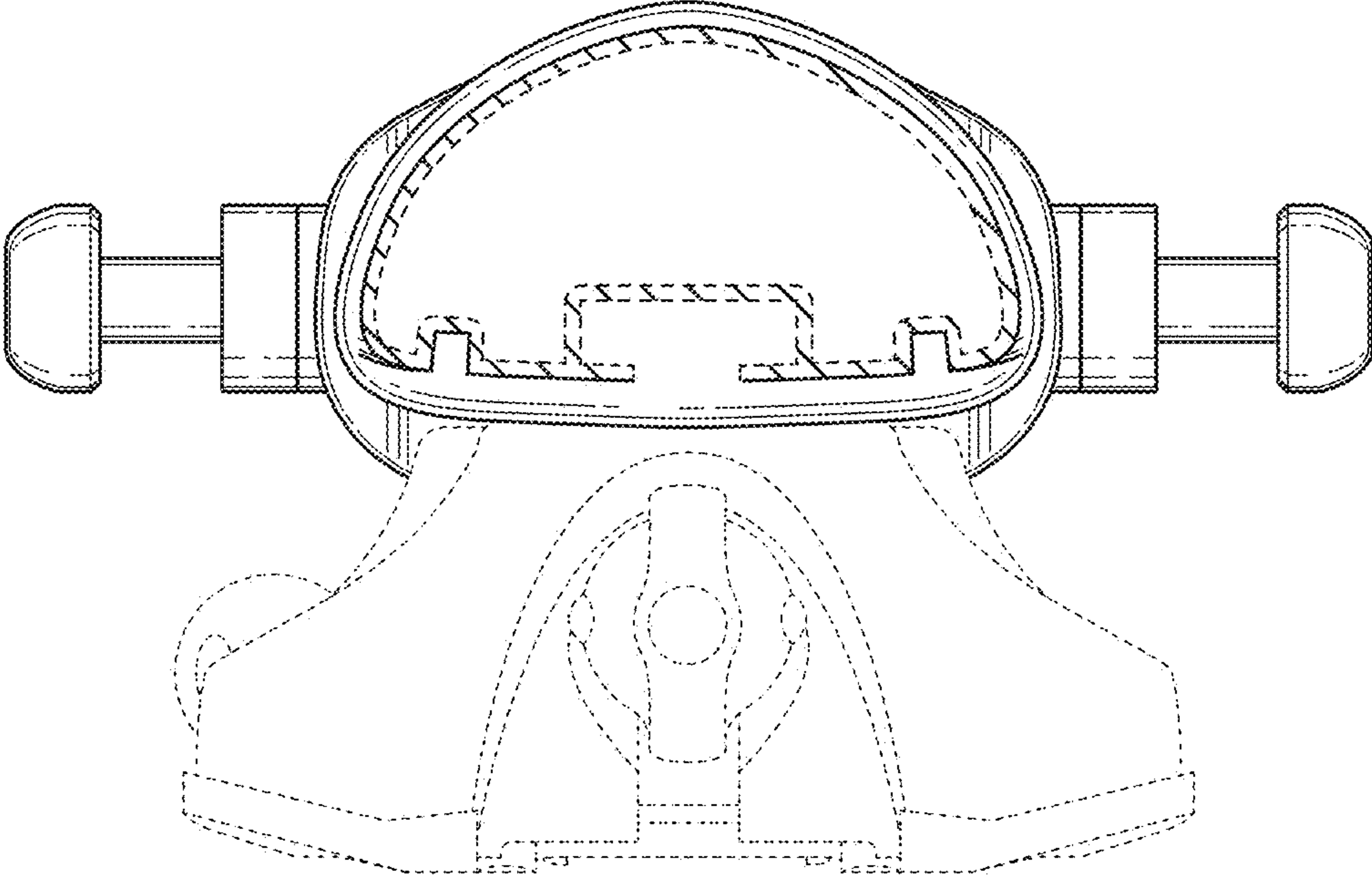


FIG. 9

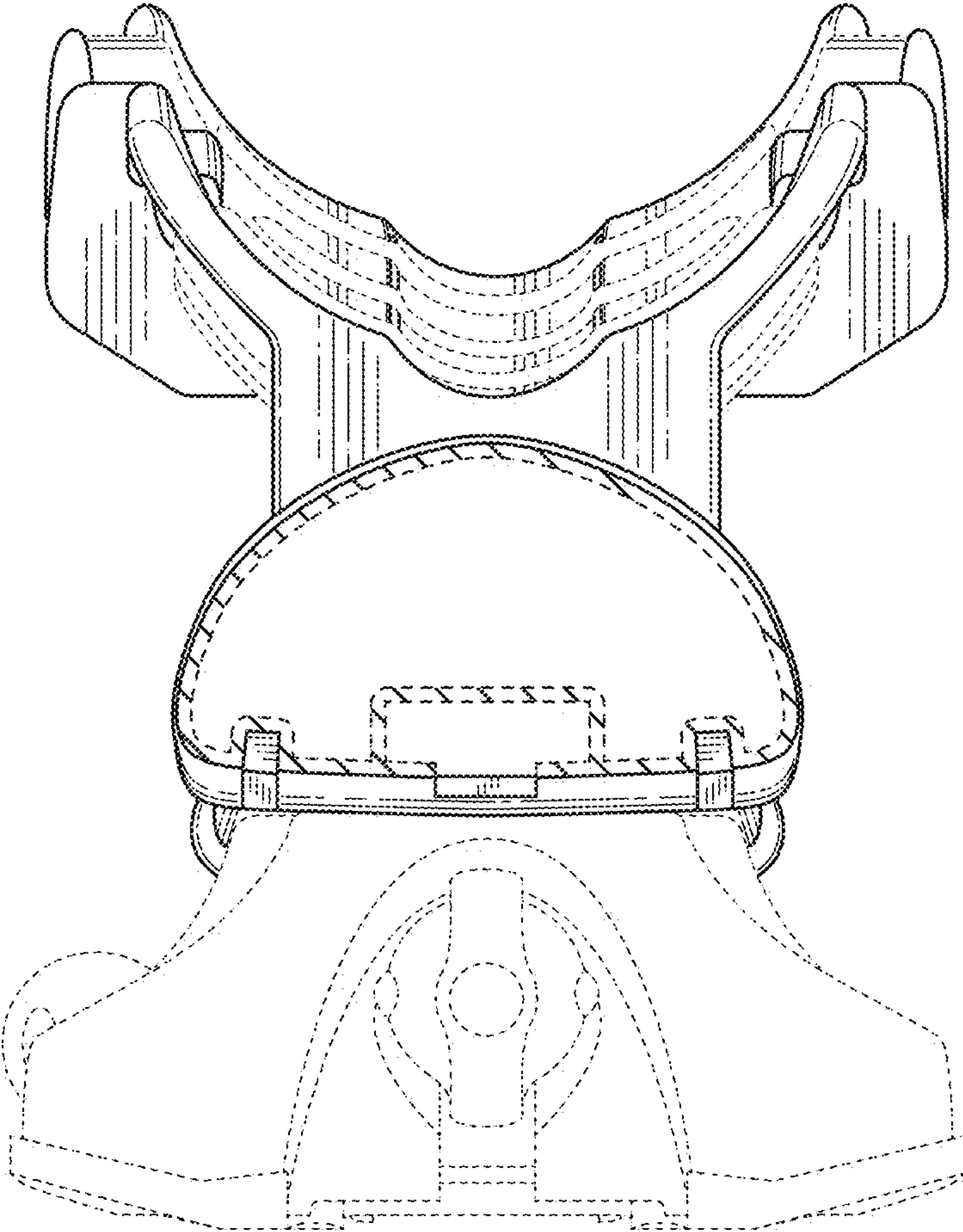


FIG. 10