

US00D693758S

(12) **United States Design Patent**
Yates et al.

(10) **Patent No.:** **US D693,758 S**

(45) **Date of Patent:** **** Nov. 19, 2013**

- (54) **CYCLIC CONTROL POST AND GRIP**
- (75) Inventors: **Travis Lee Yates**, Lakeside, TX (US);
Bradley Don Linton, Mansfield, TX (US); **Chad Richard Haugeberg**,
Arlington, TX (US)
- (73) Assignee: **Bell Helicopter Textron Inc.**, Fort
Worth, TX (US)
- (**) Term: **14 Years**
- (21) Appl. No.: **29/413,151**
- (22) Filed: **Feb. 10, 2012**
- (51) **LOC (9) Cl.** **12-07**
- (52) **U.S. Cl.**
USPC **D12/345**
- (58) **Field of Classification Search**
USPC D12/319, 326-329, 331-334, 337-339,
D12/344, 345, 400, 415, 423-425, 192;
D14/405, 412-416; D21/324, 333,
D21/477, 566, 430, 436-453; 273/148 B;
244/2, 5, 6, 7 C, 7 A, 7 R, 8, 12.1-12.4,
244/17.11, 17.13, 17.19, 17.23, 17.25,
244/17.27, 60, 99.1, 117 R, 118.5, 119, 221,
244/223, 229, 234; 74/471 XY, 491;
318/574, 585; 345/156, 161;
463/36-38; 296/37.8; D15/28
See application file for complete search history.

- 5,156,363 A * 10/1992 Cizewski et al. 244/223
- 5,456,428 A * 10/1995 Hegg 244/229
- 5,769,363 A * 6/1998 Griswold et al. 244/234
- 5,900,710 A * 5/1999 Gautier et al. 318/675
- 6,254,037 B1 * 7/2001 Fenny et al. 244/223
- D462,685 S * 9/2002 Yamamoto et al. D14/415
- 6,631,652 B1 * 10/2003 Okazawa et al. 74/471 XY
- 6,682,116 B1 * 1/2004 Okumura 296/37.8
- D516,096 S * 2/2006 Bergman et al. D15/28

(Continued)

OTHER PUBLICATIONS

Yates, U.S. Appl. No. 29/413,127, "Collective Control Post and Grip for a Rotorcraft", Feb. 10, 2012.

(Continued)

Primary Examiner — Caron D Veynar
Assistant Examiner — Martie K Holtje
(74) *Attorney, Agent, or Firm* — Baker Botts L.L.P.

(57) **CLAIM**
The ornamental design for a cyclic control post and grip, as shown and described.

DESCRIPTION

FIG. 1 is a left front perspective view of a cyclic control post and grip showing our new design; FIG. 2 is a front elevational view thereof; FIG. 3 is a rear elevational view thereof; FIG. 4 is a right side elevational view thereof; FIG. 5 is a left side elevational view thereof; and, FIG. 6 is a top plan view thereof.

The broken lines in the figures are included for the purpose of illustrating environment that forms no part of the claimed design.

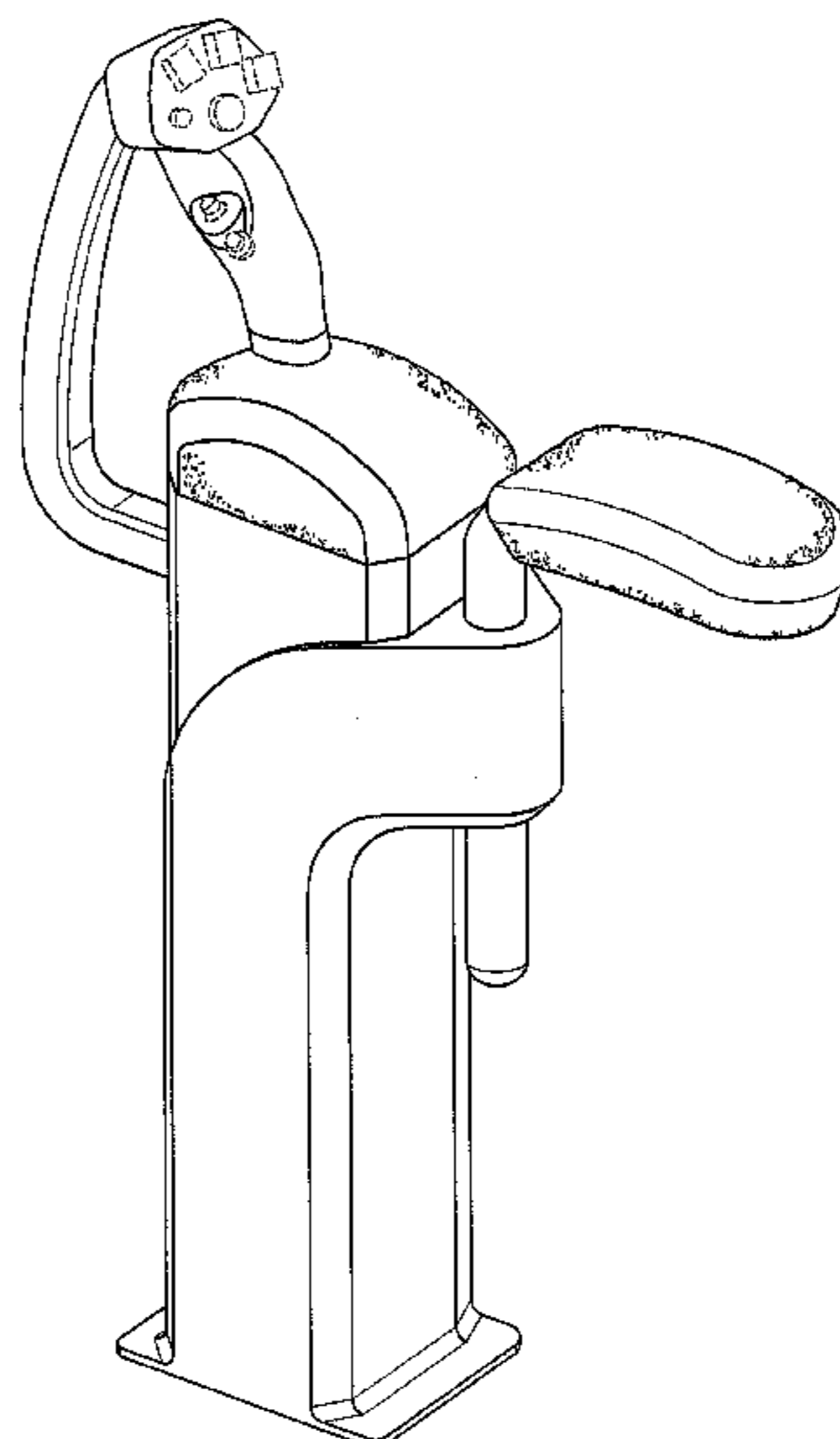
The broken line rectangle in FIG. 3 has been included for the purpose of establishing a boundary between claimed and unclaimed structure, the area within which forming no part of the claimed design.

1 Claim, 5 Drawing Sheets

(56) **References Cited**

U.S. PATENT DOCUMENTS

- 4,012,014 A * 3/1977 Marshall 244/234
- 4,130,259 A * 12/1978 Carlson et al. 244/234
- 4,584,510 A * 4/1986 Hollow 318/584
- 4,865,277 A * 9/1989 Smith et al. 244/234
- 4,887,782 A * 12/1989 Carnell et al. 244/234
- 4,895,040 A * 1/1990 Soederberg 74/491
- 5,137,234 A * 8/1992 Sakurai 244/234
- 5,149,023 A * 9/1992 Sakurai et al. 244/229



(56)

References Cited

U.S. PATENT DOCUMENTS

D581,861	S	*	12/2008	Anttila et al.	D12/421
D581,862	S	*	12/2008	Anttila et al.	D12/421
D613,232	S	*	4/2010	Guering	D12/345
D613,668	S	*	4/2010	Guering	D12/345
2009/0139360	A1	*	6/2009	Diccion	74/471 XY
2009/0230252	A1	*	9/2009	Daunois et al.	244/234

OTHER PUBLICATIONS

Yates, U.S. Appl. No. 29/413,127, Non-final Office Action from US Patent and Trademark Office, Apr. 26, 2013.
 Yates, U.S. Appl. No. 29/413,127, Response to Non-final Office Action from US Patent and Trademark Office, Jul. 22, 2013.
 Yates, U.S. Appl. No. 29/413,127, Notice of Allowance from US Patent and Trademark Office, Jul. 31, 2013.
 Yates, U.S. Appl. No. 29/413,131, "Combined Cyclic and Collective Controls", Feb. 10, 2012.
 Yates, U.S. Appl. No. 29/413,131, Non-final Office Action from US Patent and Trademark Office, May 9, 2013.
 Yates, U.S. Appl. No. 29/413,131, Response to Non-final Office Action from US Patent and Trademark Office, Aug. 9, 2013.
 Communication from The Controller of Designs, The Patent Office, Kolkata with regard to Design Application No. 246964, Jan. 16, 2013.

Communication from the Government of India Patent Office with regard to Design Application No. 246964, Sep. 14, 2012.
 Communication from the Canadian Intellectual Property Office with regard to Design Application No. 146878, Jan. 21, 2013.
 Communication from the Canadian Intellectual Property Office with regard to Design Application No. 146,878, May 17, 2013.
 Communication from The Controller of Designs, The Patent Office, Kolkata with regard to Design Application No. 246973, Feb. 1, 2013.
 Communication from the Government of India Patent Office with regard to Design Application No. 246973, Sep. 14, 2012.
 Communication from the Canadian Intellectual Property Office with regard to Design Application No. 146879, Jan. 24, 2013.
 Communication from The Controller of Designs, The Patent Office, Kolkata with regard to Design Application No. 246974, Jan. 16, 2013.
 Communication from the Government of India Patent Office with regard to Design Application No. 246974, Sep. 14, 2012.
 Communication from the Canadian Intellectual Property Office with regard to Design Application No. 146,875, Jan. 21, 2013.
 Communication from the Canadian Intellectual Property Office with regard to Design Application No. 146,875, May 17, 2013.
 Communication from the Canadian Intellectual Property Office with regard to Design Application No. 146,875, Jul. 3, 2013.

* cited by examiner

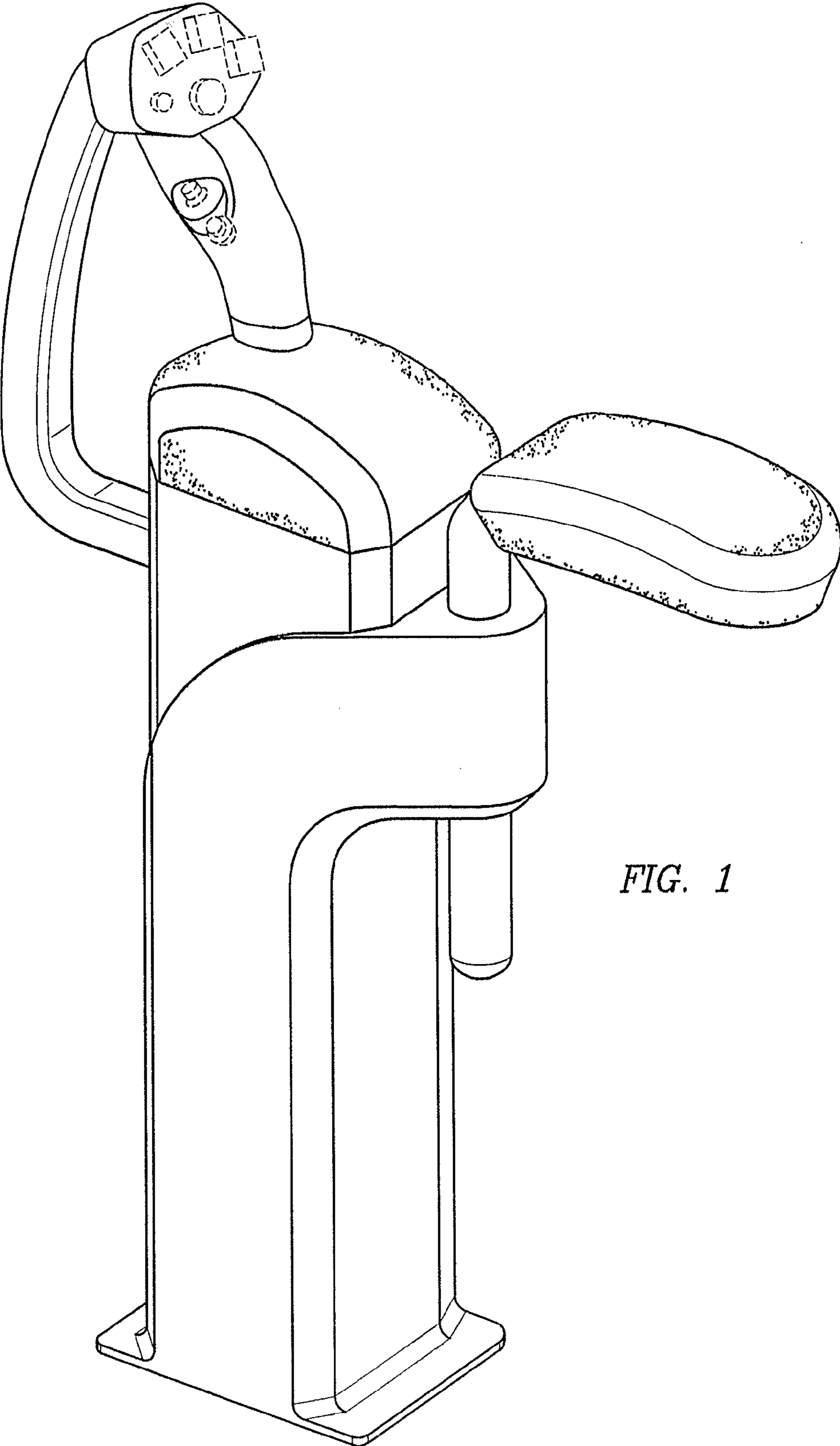


FIG. 1

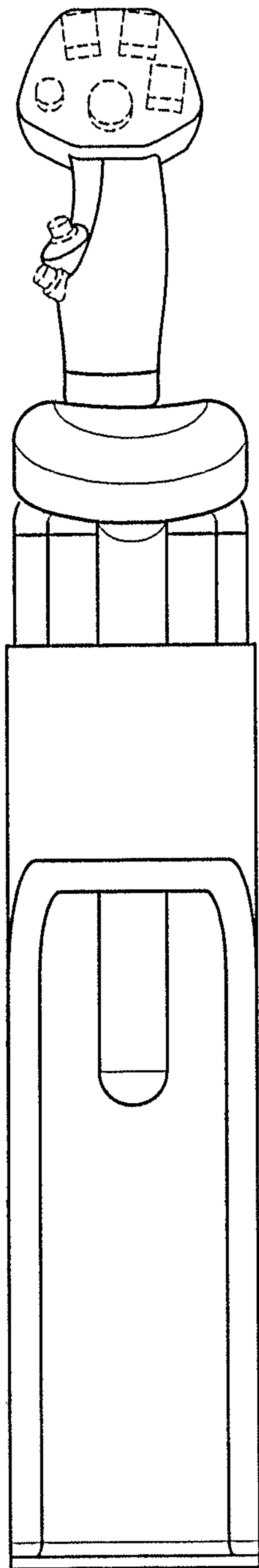


FIG. 2

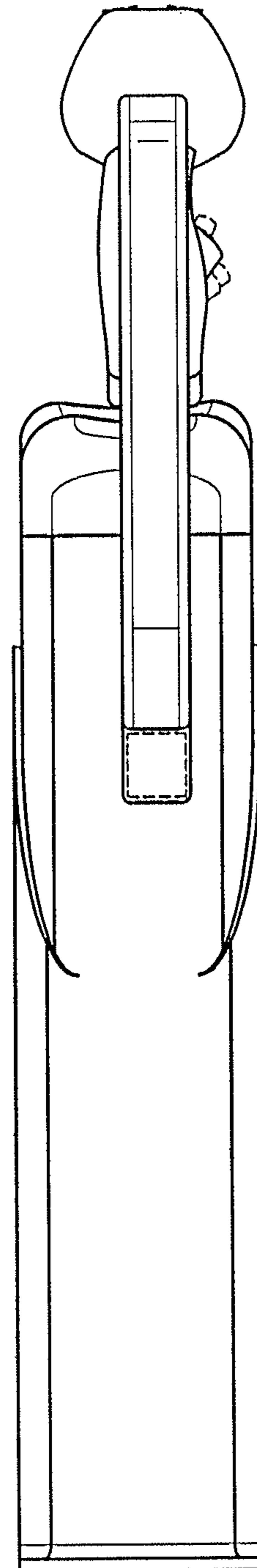


FIG. 3

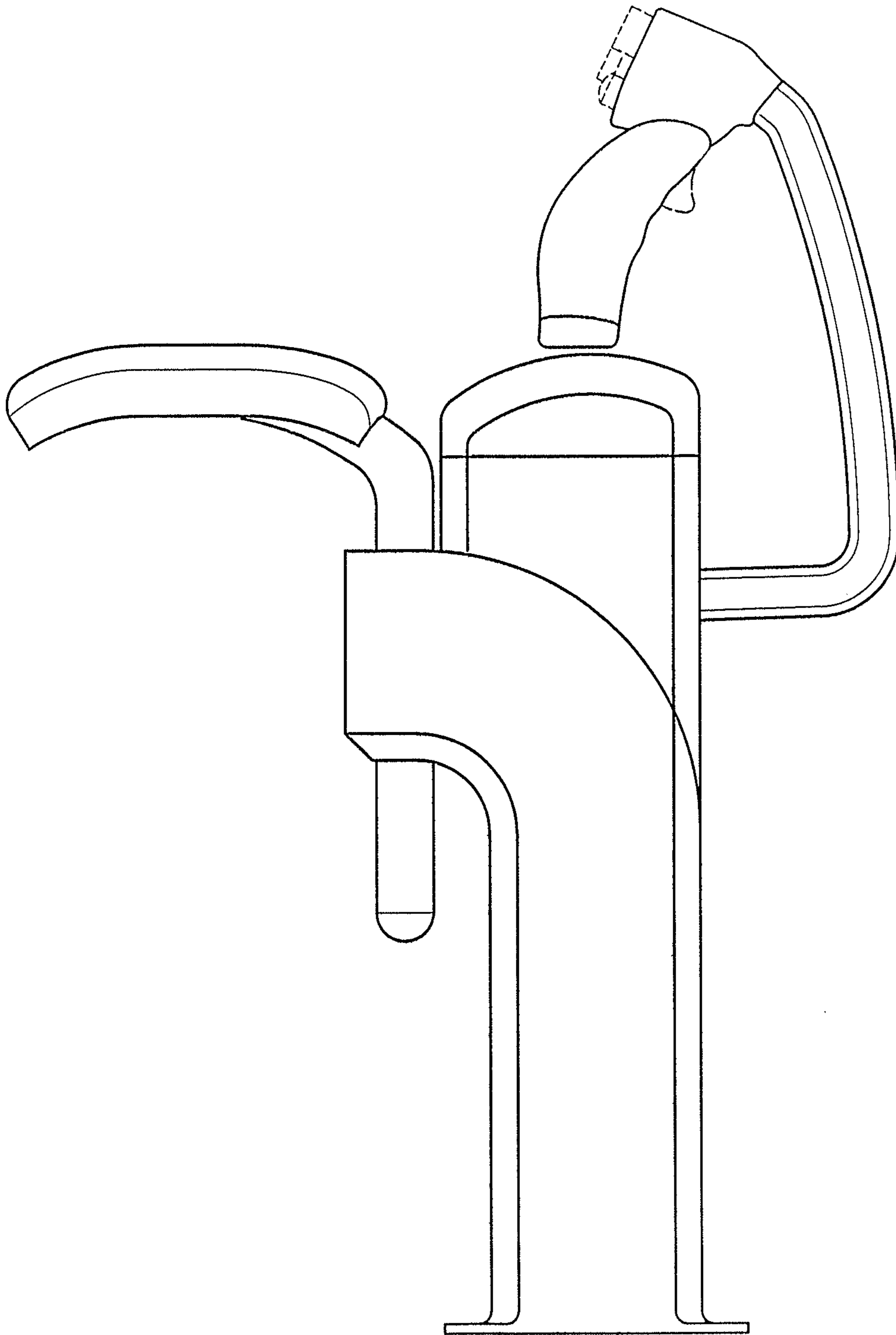


FIG. 4

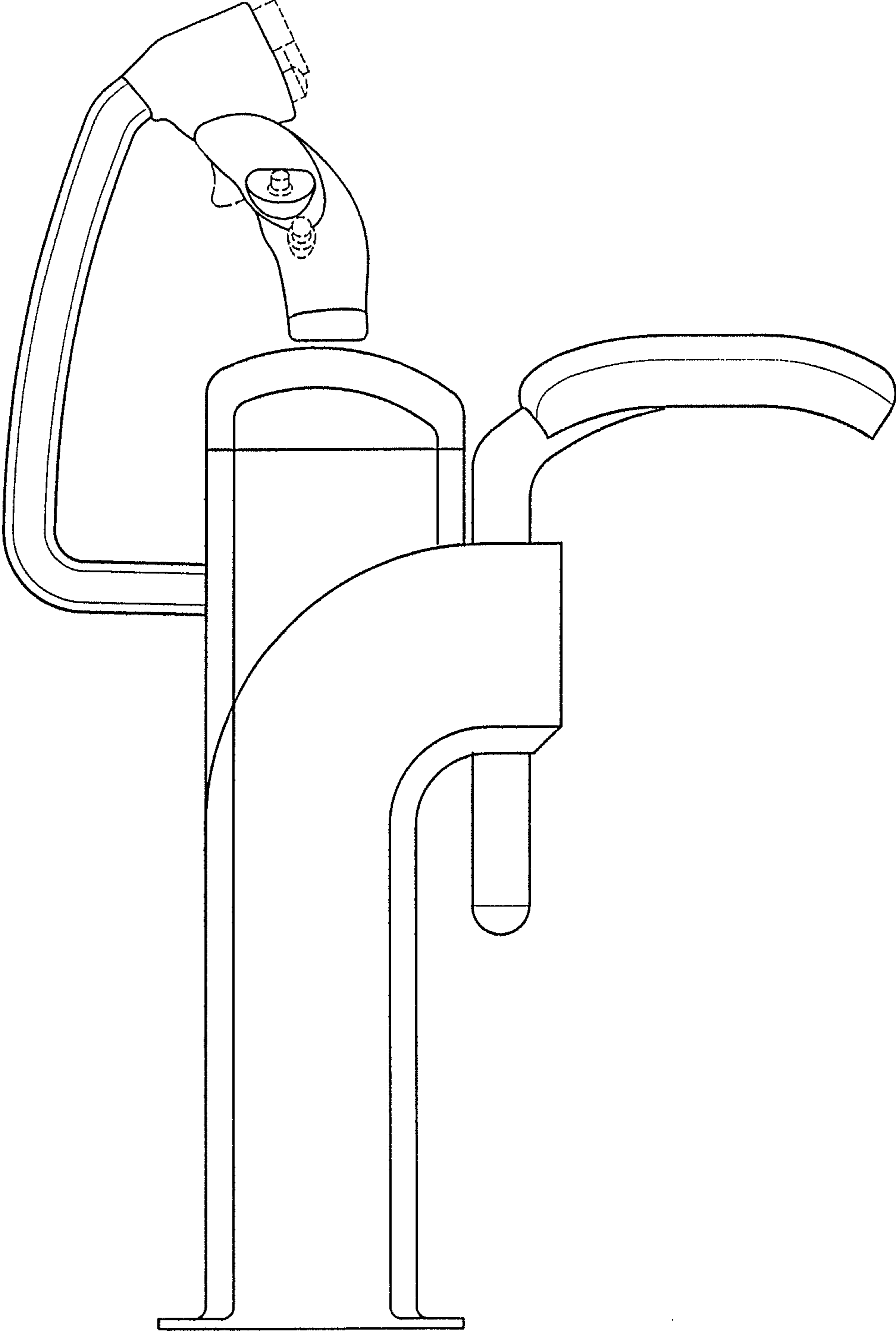


FIG. 5

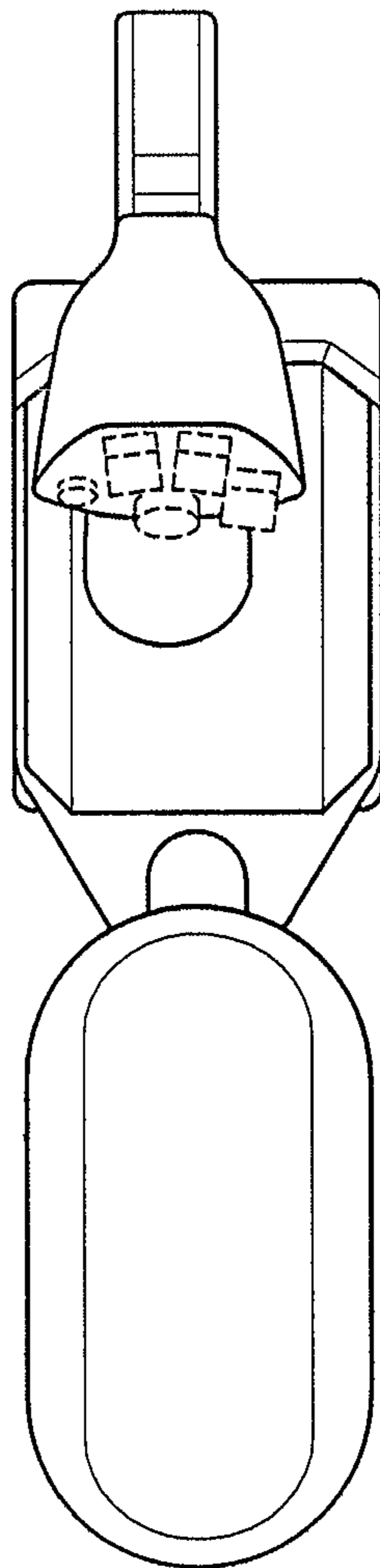


FIG. 6