

US00D693756S

(12) **United States Design Patent**
Stevens

(10) **Patent No.:** **US D693,756 S**

(45) **Date of Patent:** **** Nov. 19, 2013**

(54) **WINDOW FRAME**

(75) Inventor: **Richard Stevens**, London (GB)

(73) Assignee: **British Airways P.L.C.** (GB)

(**) Term: **14 Years**

(21) Appl. No.: **29/412,407**

(22) Filed: **Feb. 2, 2012**

Related U.S. Application Data

(62) Division of application No. 29/318,383, filed on May 19, 2008, now Pat. No. Des. 654,008.

(30) **Foreign Application Priority Data**

Nov. 19, 2007 (EM) 000833595

(51) **LOC (9) Cl.** **12-07**

(52) **U.S. Cl.**
USPC **D12/345**

(58) **Field of Classification Search**

USPC D12/182, 183, 195, 345; D21/436-453,
D21/430; 244/117 R, 118.5, 118.6, 119, 125,
244/129.3, 129.4, 129.1; 280/1.12; 434/30,
434/37; 446/7; 160/84.02, 107; 52/302.1,
52/302.3; 362/470

See application file for complete search history.

(56) **References Cited**

U.S. PATENT DOCUMENTS

2,912,724 A 11/1959 Wilkes
D187,008 S 1/1960 Petlewski et al.
D213,145 S 1/1969 Kraus et al.
3,429,530 A 2/1969 Hertel
D236,457 S * 8/1975 Davidyan et al. D12/183
D244,442 S 5/1977 Greiss et al.
4,364,533 A 12/1982 Pompei et al.
4,495,549 A * 1/1985 Carlson et al. 362/470
4,541,595 A 9/1985 Fiala et al.

4,679,610 A 7/1987 Spraggins
4,799,631 A 1/1989 Humphries et al.
5,044,578 A 9/1991 White et al.
D331,215 S 11/1992 Moreno et al.
D376,343 S * 12/1996 Alcocer D12/345
5,816,534 A 10/1998 Schumacher
6,065,523 A 5/2000 Sanz
6,082,674 A * 7/2000 White et al. 244/129.3
6,129,312 A 10/2000 Weber
6,227,491 B1 * 5/2001 Stephan et al. 244/129.3
6,460,805 B1 10/2002 Sanz et al.
6,460,806 B2 10/2002 Lau et al.
6,601,799 B2 * 8/2003 Lau et al. 244/129.3
6,758,255 B2 7/2004 Sanz et al.
6,786,453 B2 * 9/2004 Jones 244/129.3
6,789,765 B2 * 9/2004 Hopkins et al. 244/129.3
6,793,182 B2 * 9/2004 Hopkins et al. 244/129.3
7,118,069 B2 10/2006 Novak et al.
D583,296 S * 12/2008 Tsay et al. D12/345
D654,008 S * 2/2012 Stevens D12/345
2005/0044712 A1 3/2005 Gideon et al.
2006/0118676 A1 6/2006 Novak et al.
2008/0042012 A1 * 2/2008 Callahan et al. 244/129.3
2008/0078876 A1 * 4/2008 Baggette et al. 244/129.3
2008/0166544 A1 7/2008 Muller
2008/0230653 A1 9/2008 Mitchell et al.

* cited by examiner

Primary Examiner — Caron D Veynar

Assistant Examiner — Martie K Holtje

(74) *Attorney, Agent, or Firm* — Sterne, Kessler, Goldstein & Fox PLLC

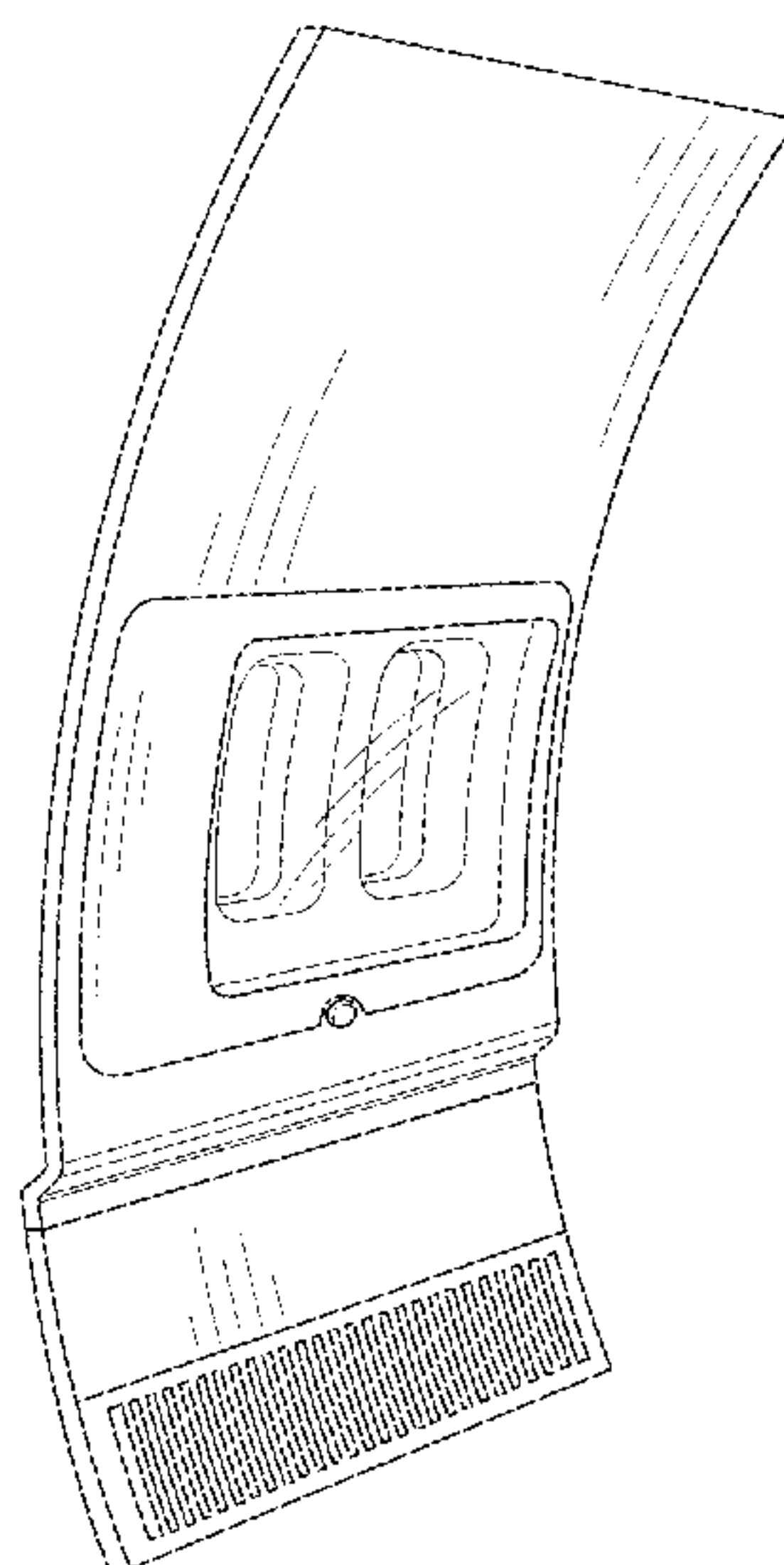
(57) **CLAIM**

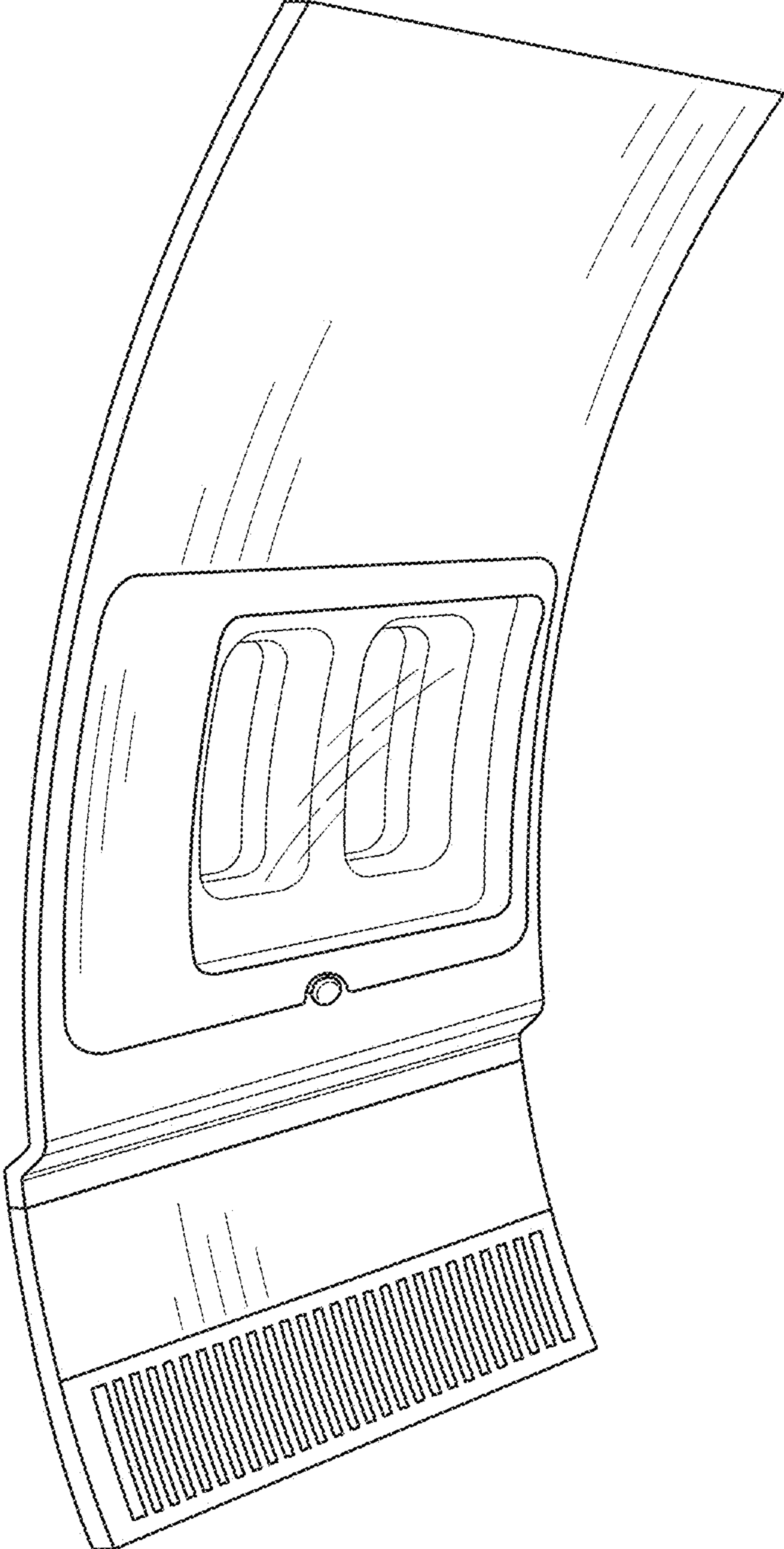
The ornamental design for a window frame, as shown and described.

DESCRIPTION

The FIGURE is a perspective view of a window frame showing my new design.
The broken lines within the FIGURES show portions of the window frame which form no part of the claimed design.

1 Claim, 1 Drawing Sheet





UNITED STATES PATENT AND TRADEMARK OFFICE
CERTIFICATE OF CORRECTION

PATENT NO. : D693,756 S
APPLICATION NO. : 29/412407
DATED : November 19, 2013
INVENTOR(S) : Richard Stevens

Page 1 of 3

It is certified that error appears in the above-identified patent and that said Letters Patent is hereby corrected as shown below:

The title page should be replaced with the attached title page.

In the Drawings:

Replace the figure with the figure on the attached drawing sheet.

Signed and Sealed this
Eighteenth Day of February, 2014



Michelle K. Lee
Deputy Director of the United States Patent and Trademark Office

(12) **United States Design Patent** (10) **Patent No.:** **US D693,756 S**
Stevens (45) **Date of Patent:** **** Nov. 19, 2013**

(54) **WINDOW FRAME**
 (75) Inventor: **Richard Stevens, London (GB)**
 (73) Assignee: **British Airways P.L.C. (GB)**
 (**) Term: **14 Years**
 (21) Appl. No.: **29/412,407**
 (22) Filed: **Feb. 2, 2012**

Related U.S. Application Data

(62) Division of application No. 29/318,383, filed on May 19, 2008, now Pat. No. Des. 654,008.

(30) **Foreign Application Priority Data**

Nov. 19, 2007 (EM) 000833595
 (51) **LOC (9) Cl.** **12-07**
 (52) **U.S. Cl.**
 USPC **D12/345**

(58) **Field of Classification Search**
 USPC D12/182, 183, 195, 345; D21/436-453, D21/430; 244/117 R, 118.5, 118.6, 119, 125, 244/129.3, 129.4, 129.1; 280/1.12; 434/30, 434/37; 446/7; 160/84.02, 107; 52/302.1, 52/302.3; 362/470

See application file for complete search history.

(56) **References Cited**

U.S. PATENT DOCUMENTS

2,912,724 A 11/1959 Wilkes
 D187,008 S 1/1960 Petlewski et al.
 D213,145 S 1/1969 Kraus et al.
 3,429,530 A 2/1969 Hertel
 D236,457 S * 8/1975 Davidyan et al. D12/183
 D244,442 S 5/1977 Greiss et al.
 4,364,533 A 12/1982 Pompei et al.
 4,495,549 A * 1/1985 Carlson et al. 362/470
 4,541,595 A 9/1985 Fiala et al.

4,679,610 A 7/1987 Spraggins
 4,799,631 A 1/1989 Humphries et al.
 5,044,578 A 9/1991 White et al.
 D331,215 S 11/1992 Moreno et al.
 D376,343 S * 12/1996 Alcocer D12/345
 5,816,534 A 10/1998 Schumacher
 6,065,523 A 5/2000 Sanz
 6,082,674 A * 7/2000 White et al. 244/129.3
 6,129,312 A 10/2000 Weber
 6,227,491 B1 * 5/2001 Stephan et al. 244/129.3
 6,460,805 B1 10/2002 Sanz et al.
 6,460,806 B2 10/2002 Lau et al.
 6,601,799 B2 * 8/2003 Lau et al. 244/129.3
 6,758,255 B2 7/2004 Sanz et al.
 6,786,453 B2 * 9/2004 Jones 244/129.3
 6,789,765 B2 * 9/2004 Hopkins et al. 244/129.3
 6,793,182 B2 * 9/2004 Hopkins et al. 244/129.3
 7,118,069 B2 10/2006 Novak et al.
 D583,296 S * 12/2008 Tsay et al. D12/345
 D654,008 S * 2/2012 Stevens D12/345
 2005/0044712 A1 3/2005 Gideon et al.
 2006/0118676 A1 6/2006 Novak et al.
 2008/0042012 A1 * 2/2008 Callahan et al. 244/129.3
 2008/0078876 A1 * 4/2008 Baggette et al. 244/129.3
 2008/0166544 A1 7/2008 Muller
 2008/0230653 A1 9/2008 Mitchell et al.

* cited by examiner

Primary Examiner -- Caron D Veynar

Assistant Examiner — Martie K Holtje

(74) *Attorney, Agent, or Firm* - Sterne, Kessler, Goldstein & Fox PLLC

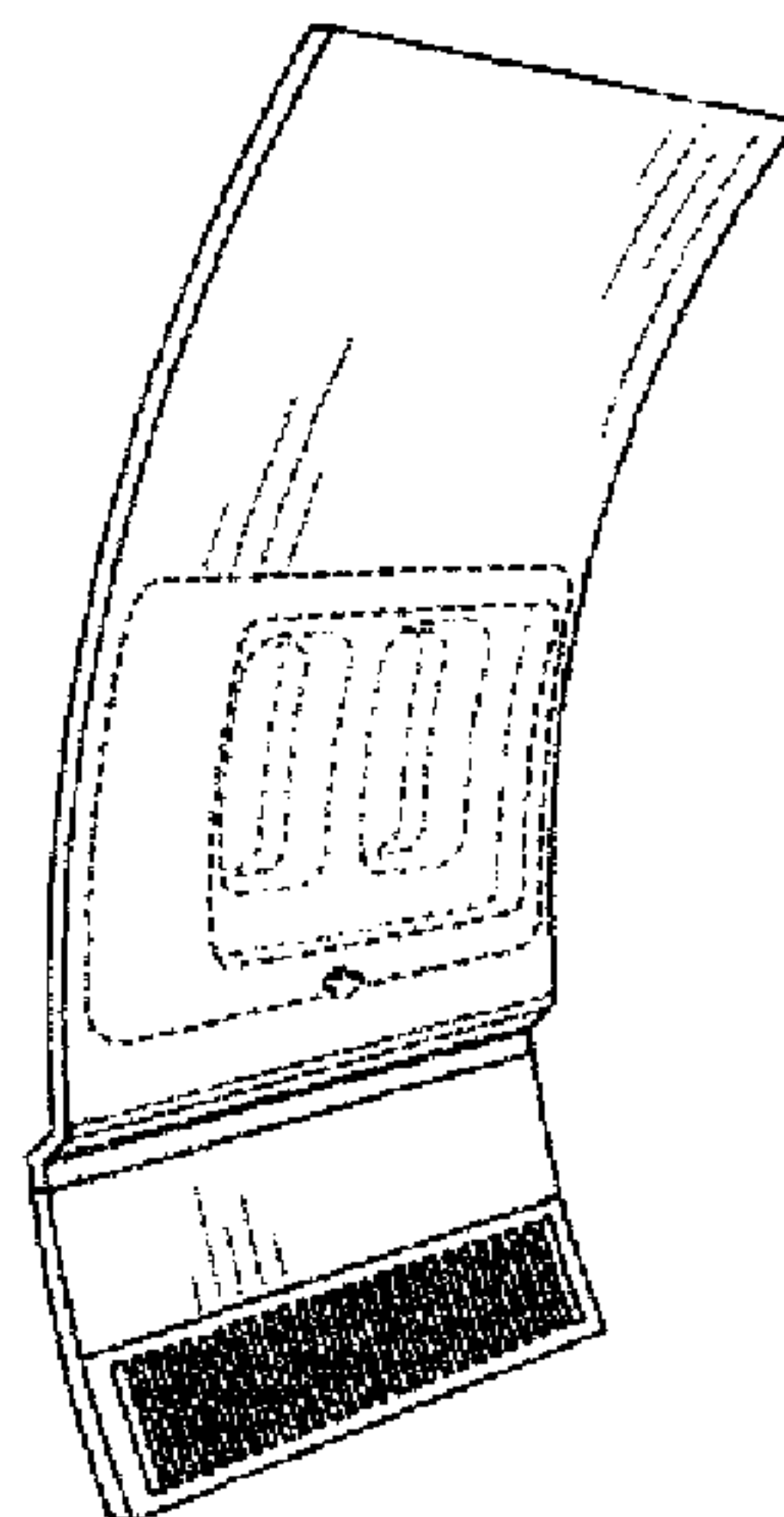
(57) **CLAIM**

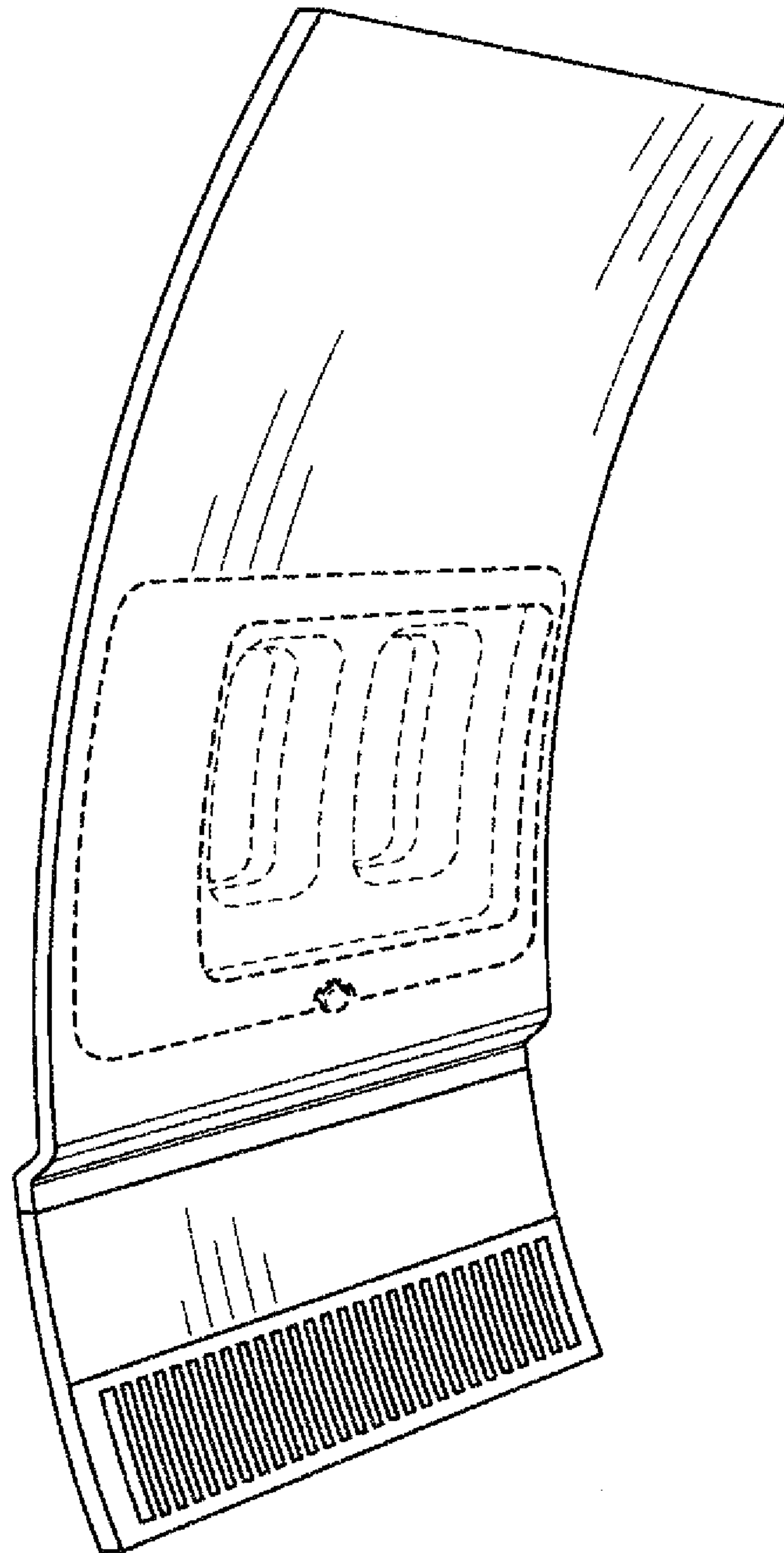
The ornamental design for a window frame, as shown and described.

DESCRIPTION

The FIGURE is a perspective view of a window frame showing my new design.
 The broken lines within the FIGURES show portions of the window frame which form no part of the claimed design.

1 Claim, 1 Drawing Sheet





FIGURE