

US00D693751S

(12) **United States Design Patent**
Ali et al.

(10) **Patent No.:** **US D693,751 S**
(45) **Date of Patent:** **** Nov. 19, 2013**

(54) **AUTOMOBILE INTERIOR**

(75) Inventors: **Zulfiquar Ali**, West Bloomfield, MI (US); **Everard Scott**, Sterling Heights, MI (US); **Khashayar Honarkhah**, Bloomfield Hills, MI (US)

(73) Assignee: **Chrysler Group LLC**, Auburn Hills, MI (US)

(**) Term: **14 Years**

(21) Appl. No.: **29/410,465**

(22) Filed: **Jan. 9, 2012**

(51) **LOC (9) Cl.** **12-16**

(52) **U.S. Cl.**
USPC **D12/192**

(58) **Field of Classification Search**
USPC D12/192, 415, 110, 114; 180/90;
280/750-752; 296/190.01-190.09,
296/191, 70; D15/17, 28; D10/46, 98,
D10/102-103, 122-127

See application file for complete search history.

(56) **References Cited**

U.S. PATENT DOCUMENTS

D469,391 S * 1/2003 Pfeiffer et al. D12/192
D470,809 S * 2/2003 Asahi et al. D12/192

D489,301 S * 5/2004 Okonkwo D12/192
D501,811 S * 2/2005 Fukuda et al. D12/192
D533,492 S * 12/2006 Maezono et al. D12/192
D534,357 S * 1/2007 Davis D5/47
D539,714 S * 4/2007 Toyama et al. D12/192
D569,317 S * 5/2008 Schowalter D12/192
D598,353 S * 8/2009 Dai et al. D12/192
D622,195 S * 8/2010 Lester D12/192
D637,540 S * 5/2011 Ali et al. D12/192
D658,554 S * 5/2012 Tasaki et al. D12/192
2009/0008956 A1 * 1/2009 Scheib et al. 296/70

* cited by examiner

Primary Examiner — Katrina A Betton

(74) *Attorney, Agent, or Firm* — Ralph E Smith

(57) **CLAIM**

The ornamental design for an automobile interior, as shown and described.

DESCRIPTION

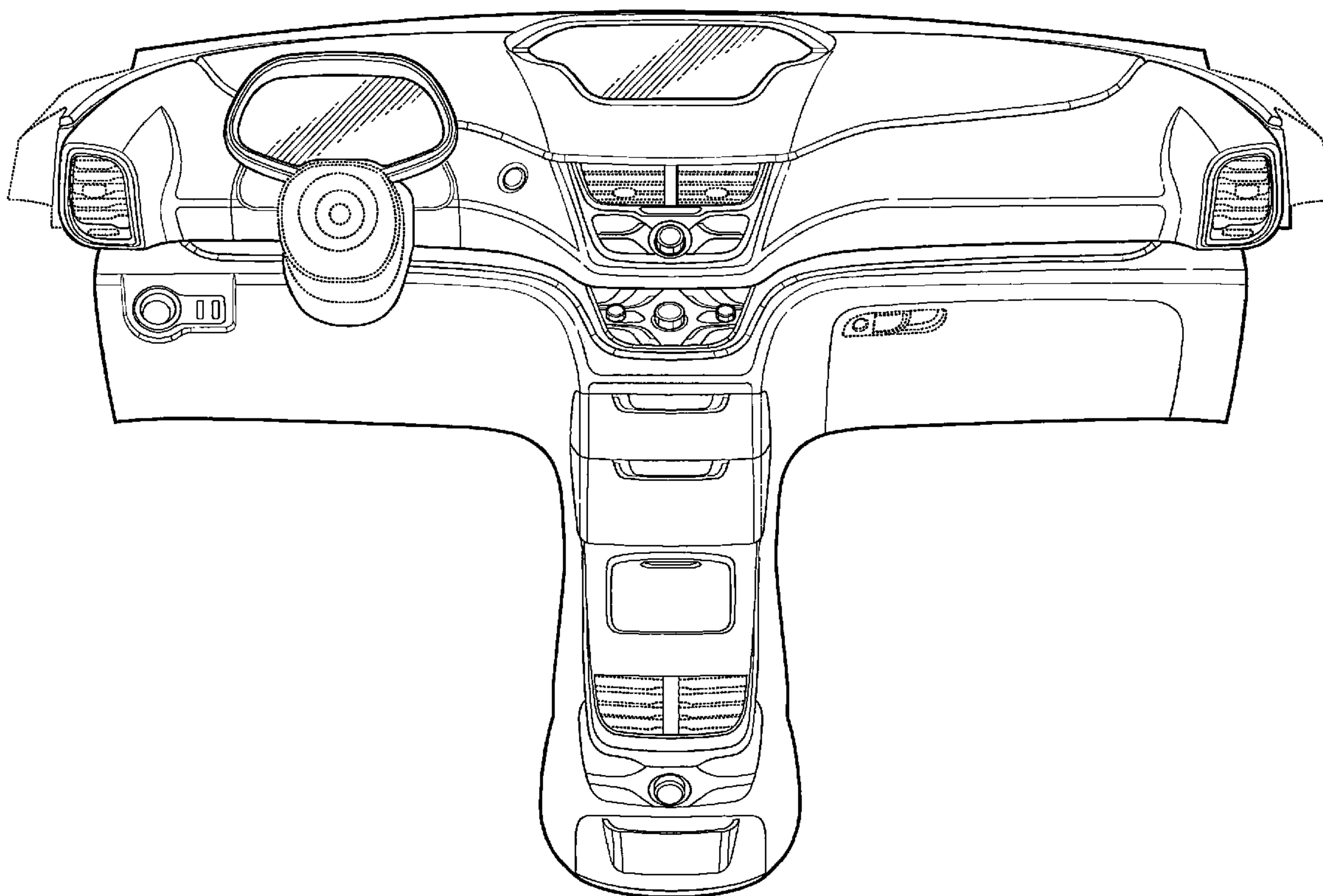
FIG. 1 is a left perspective view of an automobile interior showing our new design;

FIG. 2 is a right perspective view thereof; and,

FIG. 3 is a front view thereof.

It will be understood that the dashed lines presented in the drawings are for illustration only, and do not form a part of the claimed design.

1 Claim, 3 Drawing Sheets



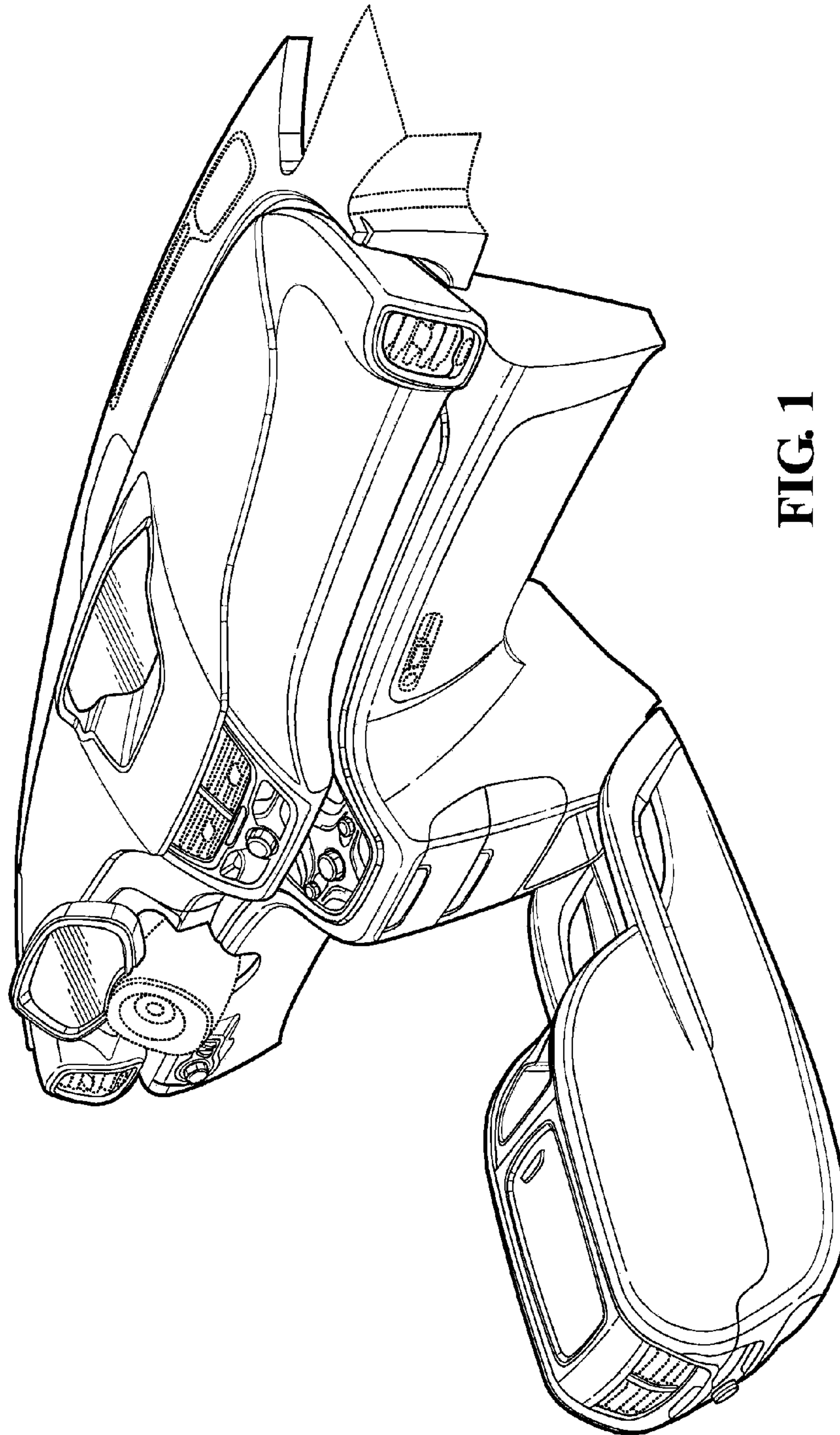


FIG. 1

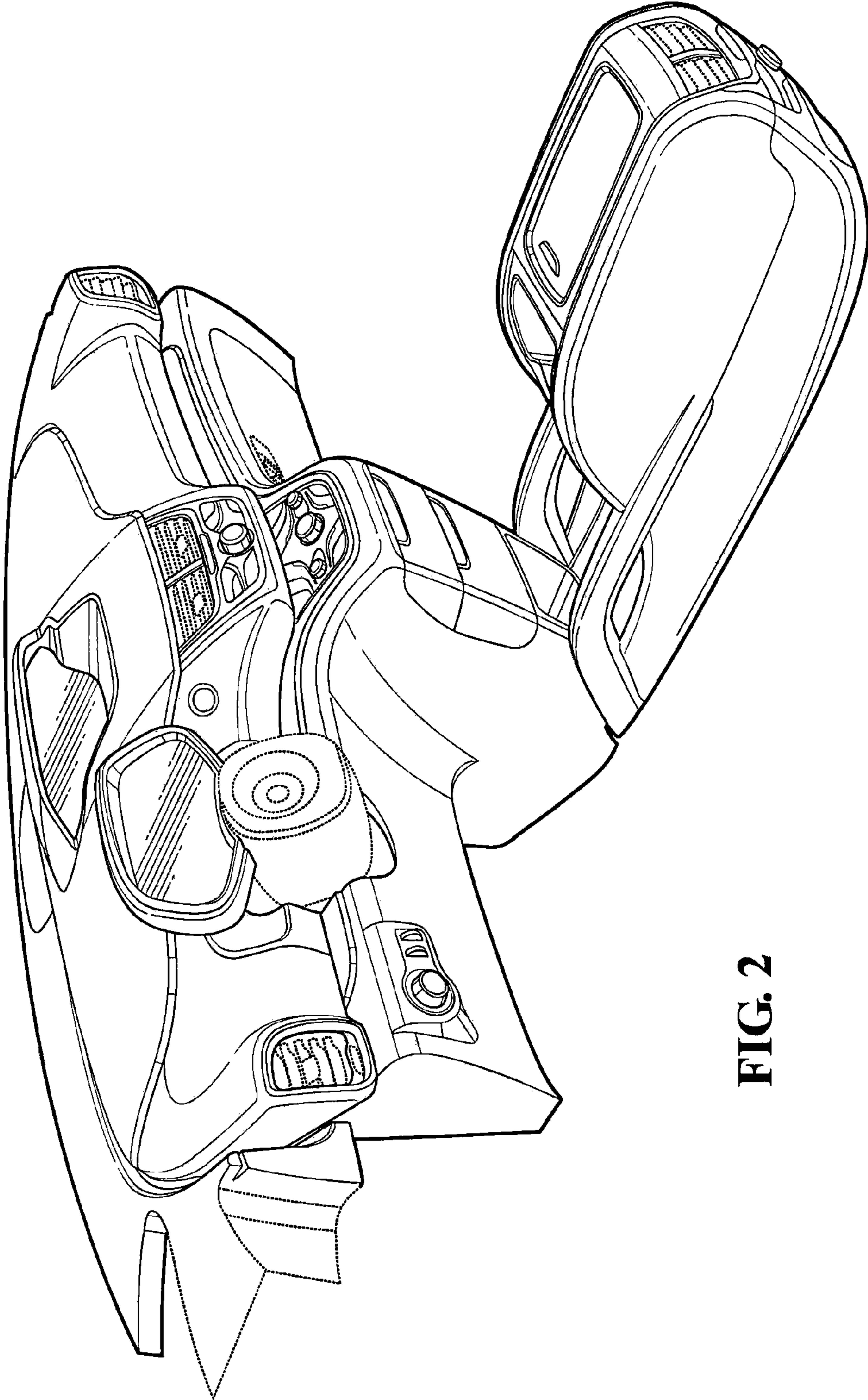


FIG. 2

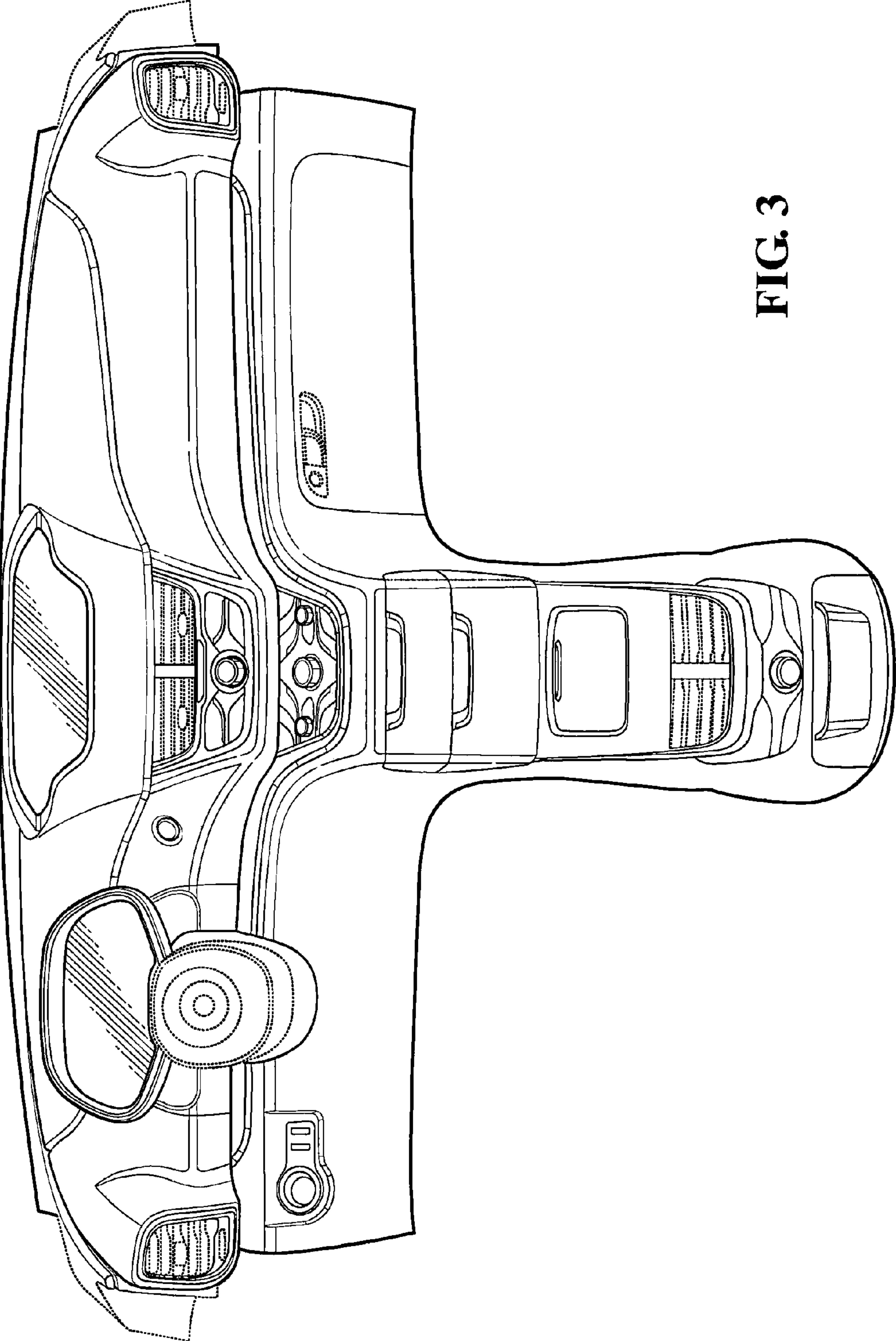


FIG. 3