

US00D693749S

(12) **United States Design Patent**
Ewringmann

(10) **Patent No.:** **US D693,749 S**

(45) **Date of Patent:** **** Nov. 19, 2013**

(54) **EXTENSION ARM WITH LIGHT AND MIRROR FOR A ROAD CONSTRUCTION MACHINE**

(75) Inventor: **Ulrich Ewringmann,**
Taufkirchen-Potzharn (DE)

(73) Assignee: **Joseph Vögele AG,** Ludwigshafen/Rhein
(DE)

(**) Term: **14 Years**

(21) Appl. No.: **29/412,340**

(22) Filed: **Feb. 1, 2012**

(30) **Foreign Application Priority Data**

Aug. 1, 2011 (DE) 001289920

(51) **LOC (9) Cl.** **12-16**

(52) **U.S. Cl.**
USPC **D12/187**

(58) **Field of Classification Search**
USPC D26/28-36; D12/187-190;
359/838-841
See application file for complete search history.

(56) **References Cited**

U.S. PATENT DOCUMENTS

D135,005 S	2/1943	Baumgardner
2,591,502 A	4/1952	Bohannan et al.
2,779,258 A	1/1957	Johnson
D184,043 S	12/1958	Dodge
3,000,277 A	9/1961	Crane et al.
D210,658 S	4/1968	Lazzeroni
3,405,613 A	10/1968	Gustafson
3,453,939 A	7/1969	Pollitz et al.
3,561,816 A	2/1971	Koch
3,699,855 A	10/1972	Leister
3,712,664 A	1/1973	May
D230,297 S	2/1974	Purcell et al.
D239,966 S	5/1976	Swisher et al.

(Continued)

OTHER PUBLICATIONS

Design U.S. Appl. No. 29/412,280, filed Feb. 1, 2012.

(Continued)

Primary Examiner — Marcus Jackson

(74) *Attorney, Agent, or Firm* — Fish & Richardson P.C.

(57) **CLAIM**

The ornamental design for an extension arm with light and mirror for a road construction machine, as shown and described.

DESCRIPTION

FIG. 1 is a front side view of a second embodiment of the design for an extension arm with light and mirror for a road construction machine in the present application.

FIG. 2 is a left side view of the design for an extension arm with light and mirror for a road construction machine of FIG. 1.

FIG. 3 is a rear side view of the design for an extension arm with light and mirror for a road construction machine of FIG. 1.

FIG. 4 is a right side view of the design for an extension arm with light and mirror for a road construction machine of FIG. 1.

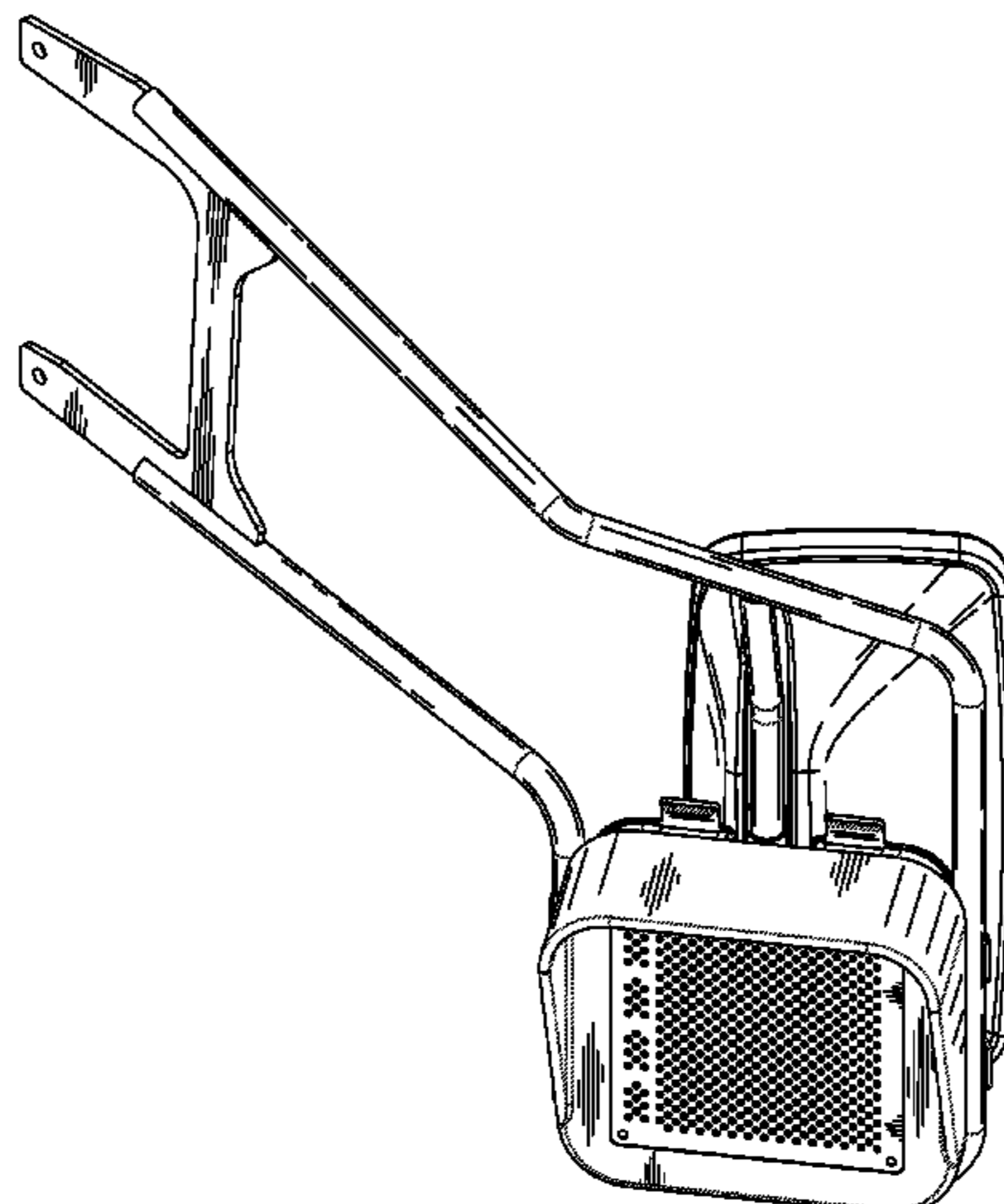
FIG. 5 is a top side view of the design for an extension arm with light and mirror for a road construction machine of FIG. 1.

FIG. 6 is a bottom side view of the design for an extension arm with light and mirror for a road construction machine of FIG. 1.

FIG. 7 is a perspective view onto the front side, left side and top side of the design for an extension arm with light and mirror for a road construction machine of FIG. 1; and,

FIG. 8 is a further perspective view onto the rear side and top side of the design for an extension arm with light and mirror for a road construction machine of FIG. 1.

1 Claim, 8 Drawing Sheets



(56)

References Cited

U.S. PATENT DOCUMENTS

3,997,277 A 12/1976 Swisher et al.
 4,196,344 A 4/1980 Kuze
 D275,199 S 8/1984 Schmidt et al.
 D281,881 S 12/1985 Swartzendruber et al.
 D284,668 S 7/1986 Salley et al.
 D284,669 S 7/1986 Clark et al.
 D284,767 S 7/1986 Clark et al.
 D285,081 S 8/1986 Wood
 4,674,928 A 6/1987 Lyman
 4,721,031 A 1/1988 Nakata et al.
 D306,450 S 3/1990 Funabashi et al.
 5,009,546 A 4/1991 Domenighetti et al.
 D317,011 S 5/1991 Boddin et al.
 D329,435 S 9/1992 Katoh et al.
 5,201,603 A 4/1993 Bassett et al.
 5,201,604 A 4/1993 Ferguson et al.
 5,250,930 A 10/1993 Yoshida et al.
 5,269,626 A 12/1993 Soliman et al.
 D348,553 S 7/1994 Martin
 5,356,238 A 10/1994 Musil et al.
 D362,449 S 9/1995 Swisher
 5,511,900 A 4/1996 Macku
 D370,917 S 6/1996 Swisher
 5,615,973 A 4/1997 Campbell
 5,695,238 A 12/1997 Calamari et al.
 D398,289 S 9/1998 Burke
 6,071,040 A 6/2000 Macku et al.

6,086,287 A 7/2000 Sharpe et al.
 6,099,205 A 8/2000 Macku et al.
 6,189,955 B1 2/2001 Fryk et al.
 6,193,437 B1 2/2001 Heims
 6,309,138 B1 10/2001 Yasu et al.
 6,375,386 B1 4/2002 Macku et al.
 6,688,682 B2 2/2004 Arthur et al.
 D503,928 S 4/2005 Obata
 D507,281 S 7/2005 Komatsu et al.
 D507,800 S 7/2005 Kuwae et al.
 D525,212 S 7/2006 Kim
 D580,839 S * 11/2008 Moran D12/187
 2003/0143024 A1 7/2003 Sharpe et al.
 2005/0105232 A1 5/2005 Taylor
 2005/0133292 A1 6/2005 Ginzel et al.
 2006/0045624 A1 3/2006 Nelson
 2006/0243506 A1 11/2006 Dolesh et al.

OTHER PUBLICATIONS

Design U.S. Appl. No. 29/412,296, filed Feb. 1, 2012.
 Design U.S. Appl. No. 29/412,268, filed Feb. 1, 2012.
 Design U.S. Appl. No. 29/412,292, filed Feb. 1, 2012.
 Design U.S. Appl. No. 29/412,330, filed Feb. 1, 2012.
 Design U.S. Appl. No. 29/412,298, filed Feb. 1, 2012.
 Design U.S. Appl. No. 29/412,335, filed Feb. 1, 2012.
 Design U.S. Appl. No. 29/412,328, filed Feb. 1, 2012.
 Design U.S. Appl. No. 29/412,337, filed Feb. 1, 2012.
 Design U.S. Appl. No. 29/412,329, filed Feb. 1, 2012.

* cited by examiner

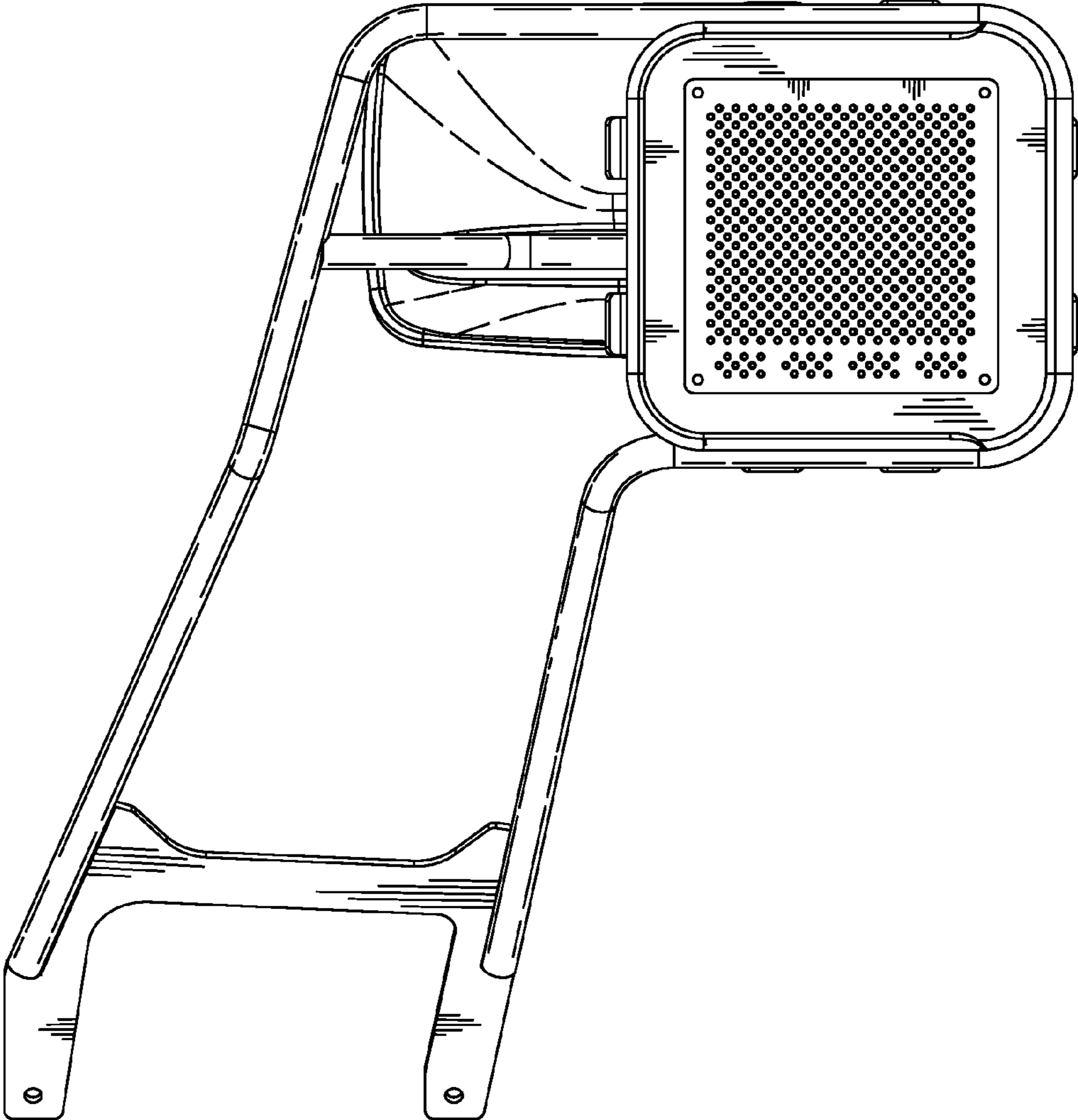


FIGURE 1

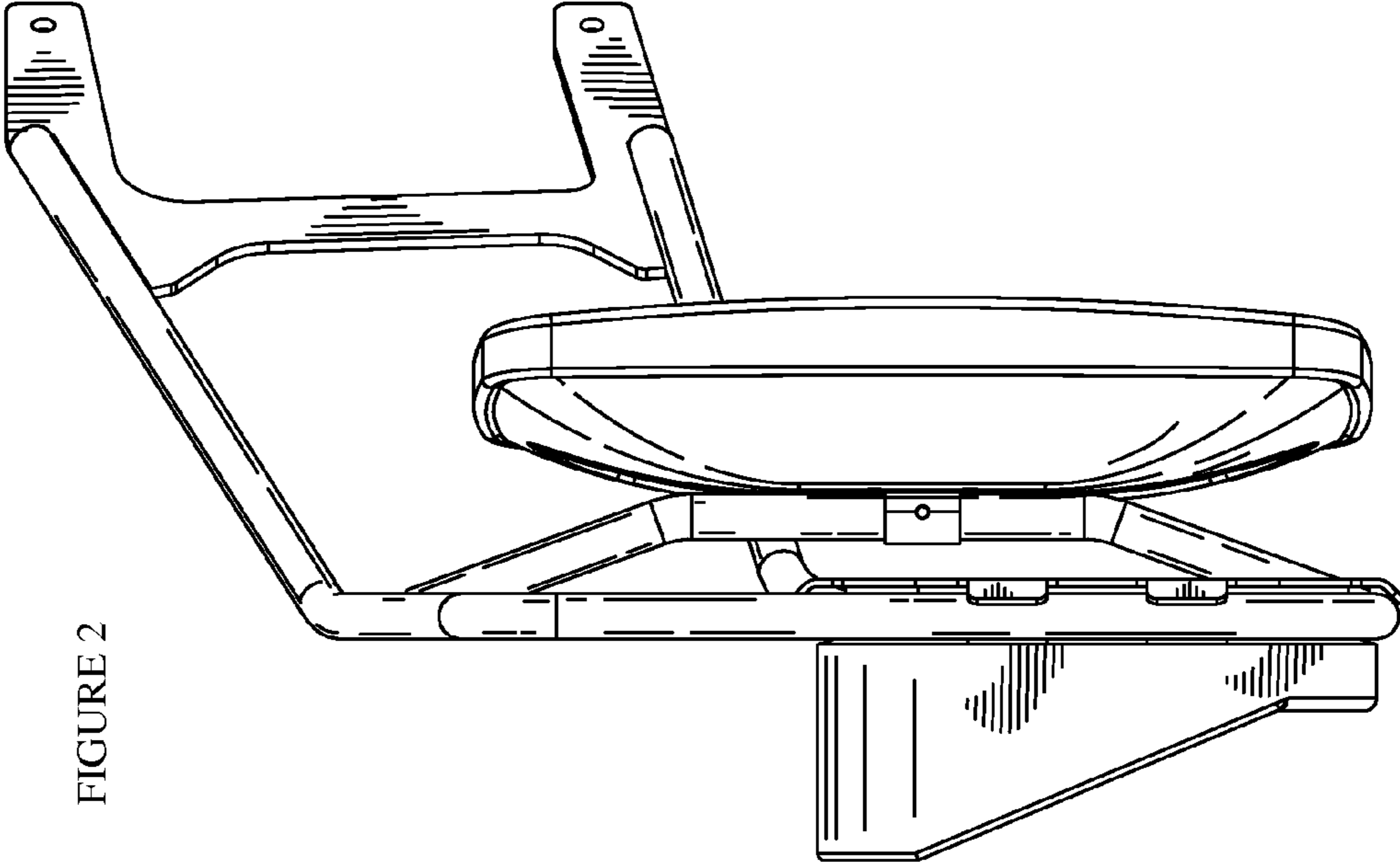


FIGURE 2

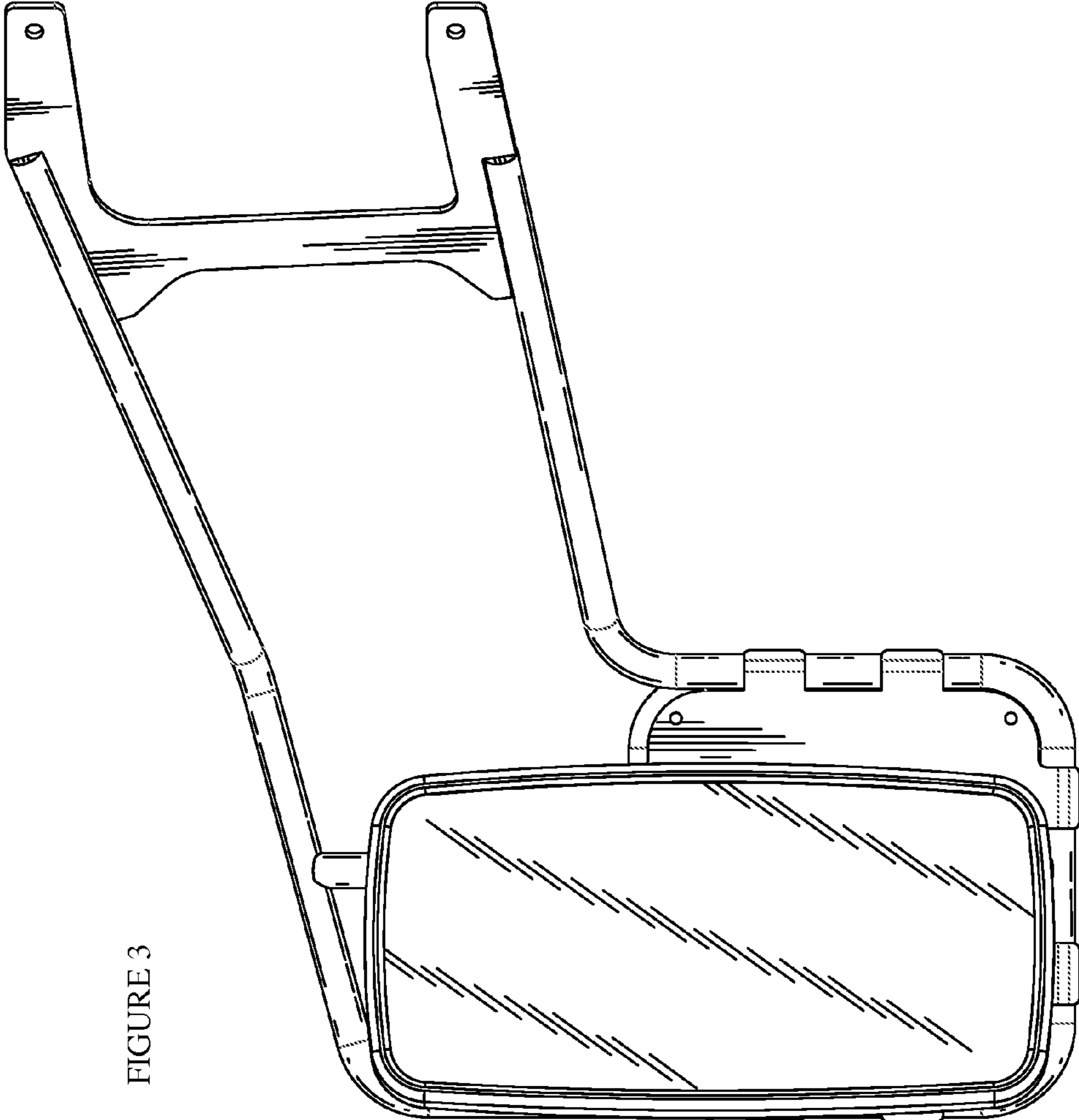


FIGURE 3

FIGURE 4

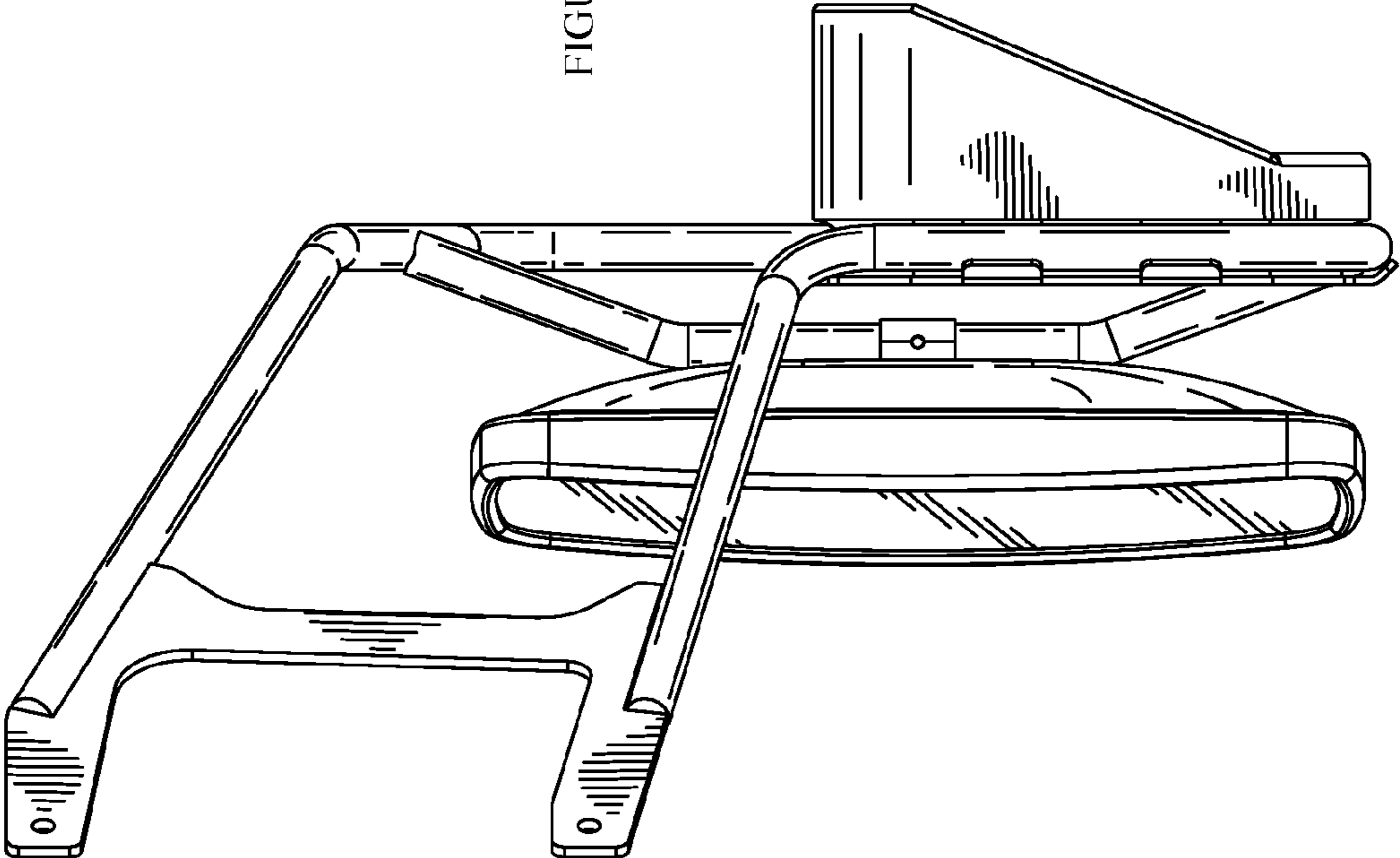
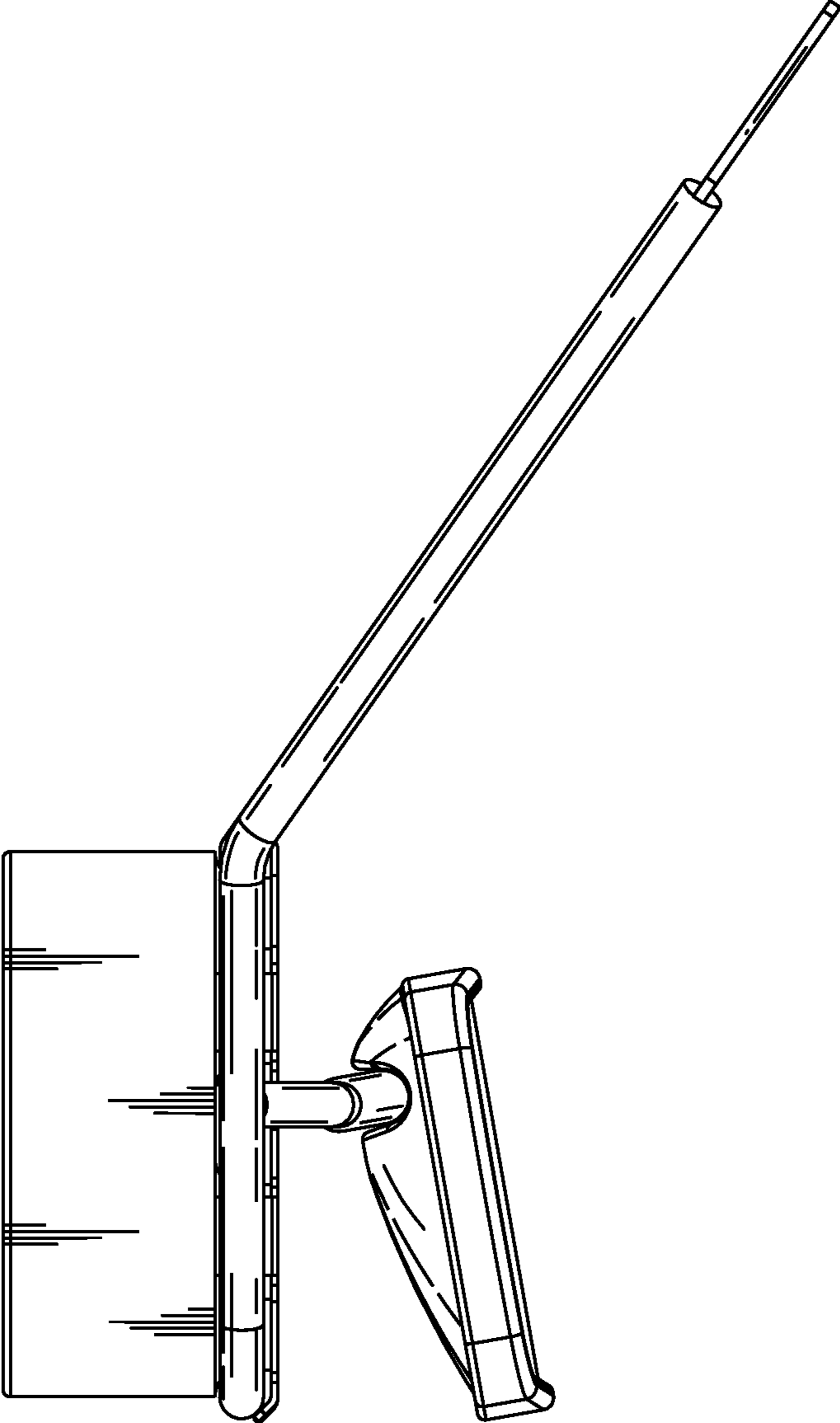


FIGURE 5



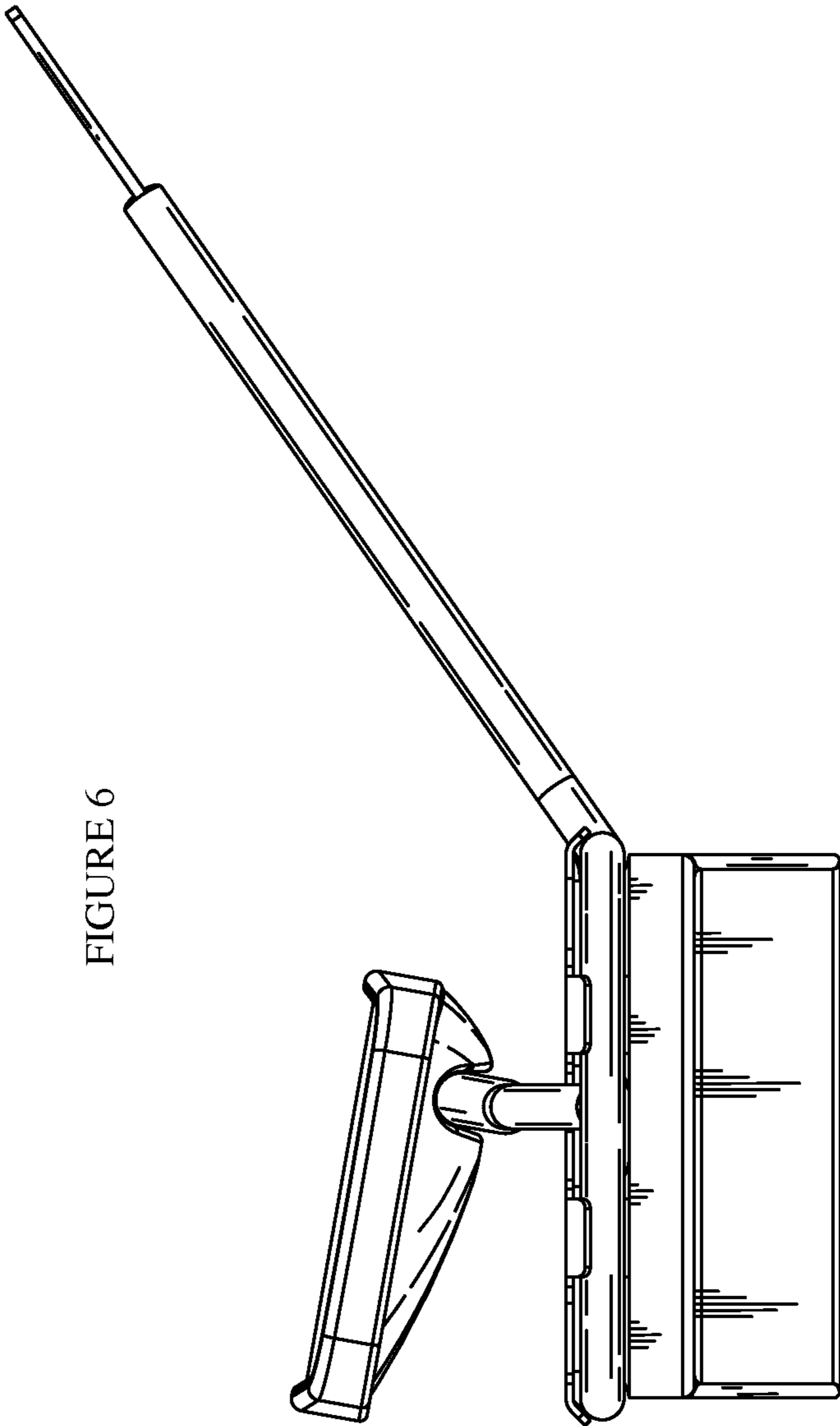


FIGURE 6

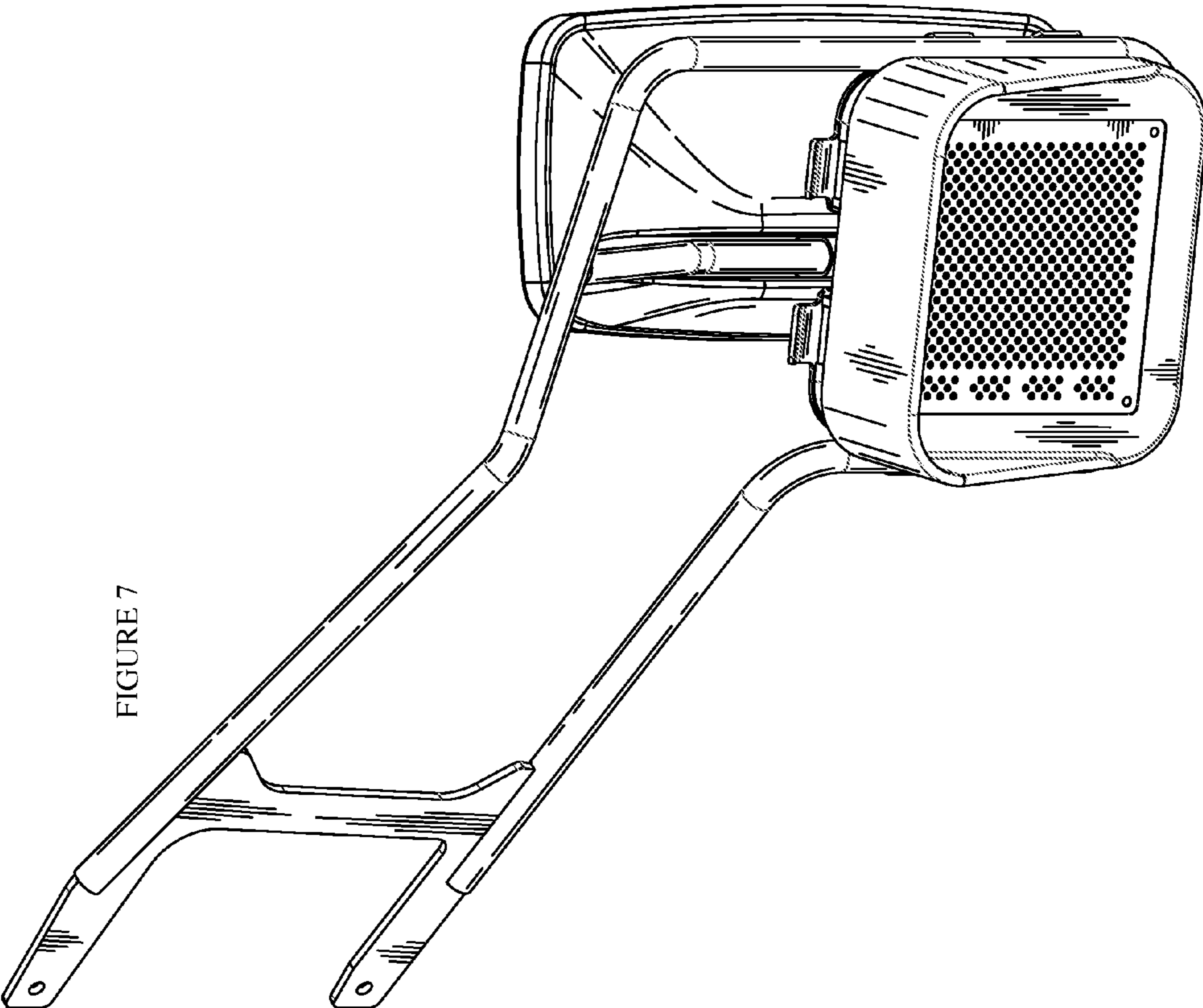


FIGURE 7

FIGURE 8

