



US00D693747S

(12) **United States Design Patent**
Lachance

(10) **Patent No.:** **US D693,747 S**
(45) **Date of Patent:** **** Nov. 19, 2013**

(54) **TRAILER HITCH ANTI-THEFT DEVICE**
(76) Inventor: **Ephrem Lachance**, Saint-Damase (CA)
(**) Term: **14 Years**
(21) Appl. No.: **29/415,913**
(22) Filed: **Mar. 15, 2012**

5,433,467 A 7/1995 Easterwood
5,575,494 A 11/1996 DeVries
5,681,053 A 10/1997 Misukanis et al.
5,752,398 A 5/1998 Villalon, Jr.
5,937,679 A 8/1999 Villalon, Jr.
5,961,140 A 10/1999 Huskey
6,244,614 B1 6/2001 Bonvillain et al.
6,530,249 B1 3/2003 Burkhead
6,880,368 B1 4/2005 Ulbrich et al.

(Continued)

(30) **Foreign Application Priority Data**

Nov. 14, 2011 (CA) 143088

(51) **LOC (9) Cl.** **12-16**

(52) **U.S. Cl.**
USPC **D12/162**

(58) **Field of Classification Search**
USPC D12/162, 159, 160, 161; 56/DIG. 14;
37/399; 280/406.2, 407, 407.1, 408,
280/411.1, 416.1, 416.2, 416.3, 418, 418.1,
280/433, 434, 435, 441.1, 441.2, 455.1,
280/456.1, 480, 493, 504, 507, 508;
224/42.11, 42.12, 42.14, 42.26, 400,
224/401, 412, 413, 488, 494, 500-501, 519,
224/537; 135/88.05; 150/166

See application file for complete search history.

(56) **References Cited**

U.S. PATENT DOCUMENTS

3,237,969 A 3/1966 Geresy
3,410,580 A 11/1968 Longenecker
3,434,741 A 3/1969 Grant, Jr.
3,526,110 A 9/1970 Foote
3,770,298 A 11/1973 Phillips
3,780,546 A 12/1973 Longenecker
4,291,557 A 9/1981 Bulle et al.
4,428,596 A 1/1984 Bell et al.
4,581,908 A 4/1986 Bulle et al.
5,063,759 A 11/1991 Nee et al.
5,195,339 A 3/1993 Nee et al.
D350,054 S 8/1994 Richter

FOREIGN PATENT DOCUMENTS

GB 2255538 11/1992
GB 2285833 7/1995

OTHER PUBLICATIONS

U.S. Appl. No. 61/559,322, filed Nov. 14, 2011, Ephrem Lachance.

Primary Examiner — Katrina A Betton

(74) *Attorney, Agent, or Firm* — IPAXIO S.E.N.C.

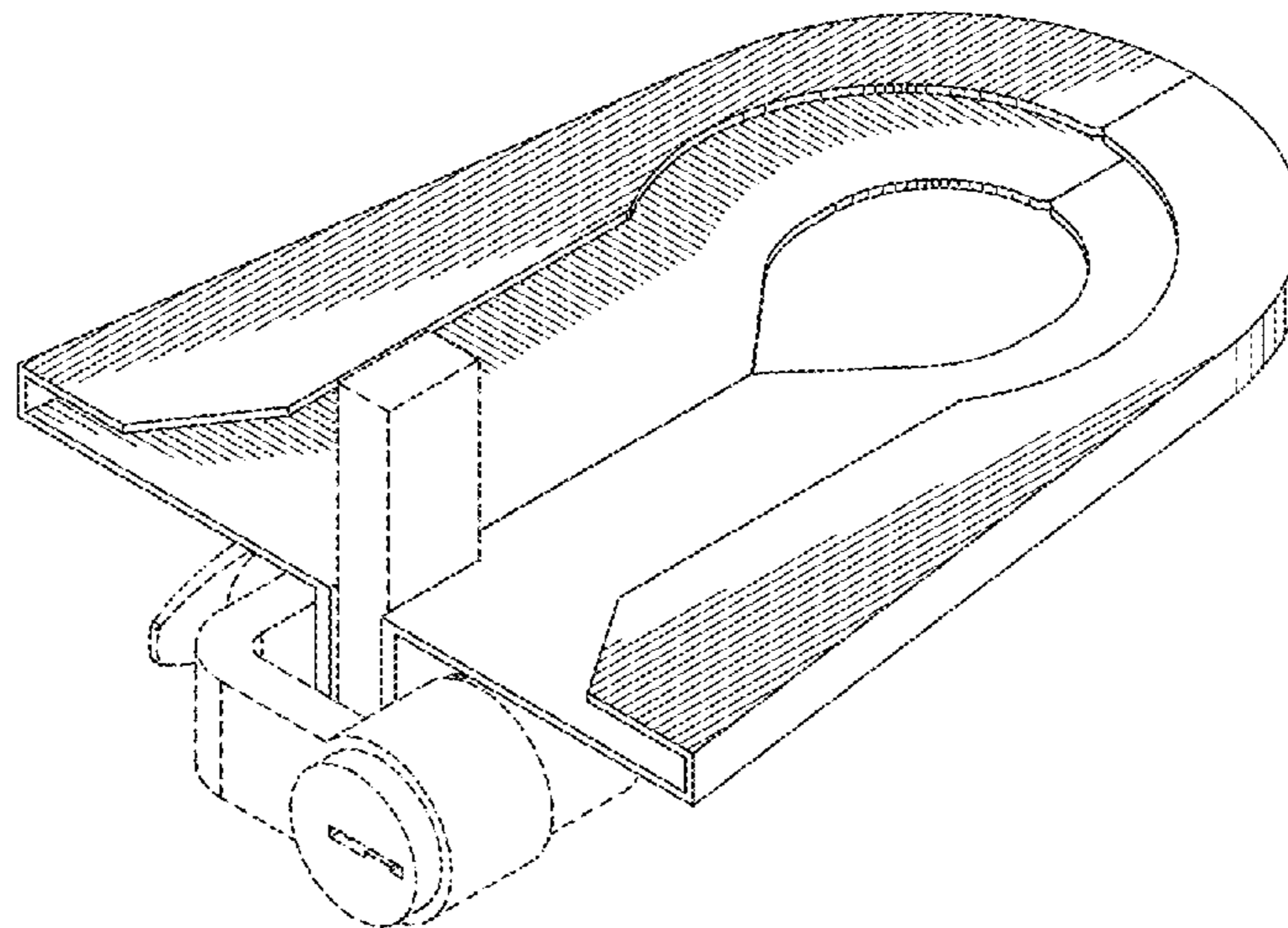
(57) **CLAIM**

The ornamental design for a trailer hitch anti-theft device, as shown and described.

DESCRIPTION

FIG. 1 is a top isometric view of a trailer hitch anti-theft device showing my new design;
FIG. 2 is a bottom isometric view thereof;
FIG. 3 is a top view thereof;
FIG. 4 is a front view thereof;
FIG. 5 is a right side view thereof;
FIG. 6 is a left side view thereof;
FIG. 7 is a bottom view thereof;
FIG. 8 is a rear view thereof; and,
FIG. 9 is a top view showing the trailer hitch anti-theft device of FIG. 1 in a partially opened position.
The portions shown in broken lines in FIG. 1 are for illustration purposes only and form no part of the claimed design.

1 Claim, 5 Drawing Sheets



(56)

References Cited

U.S. PATENT DOCUMENTS

6,945,552 B2 9/2005 Stone
6,948,733 B2* 9/2005 Webster et al. 280/477
7,246,810 B2 7/2007 Bussiere et al.
D563,838 S * 3/2008 McCowan D12/162
7,543,838 B2 6/2009 Jacques

7,635,143 B2 12/2009 Pappalardo
7,699,336 B2 4/2010 Van Laere
D659,599 S * 5/2012 Story D12/161
D688,170 S * 8/2013 Woolever D12/162
D688,171 S * 8/2013 Cirino D12/162
2006/0208458 A1 9/2006 Kalous et al.
2010/0320730 A1 12/2010 Ferland

* cited by examiner

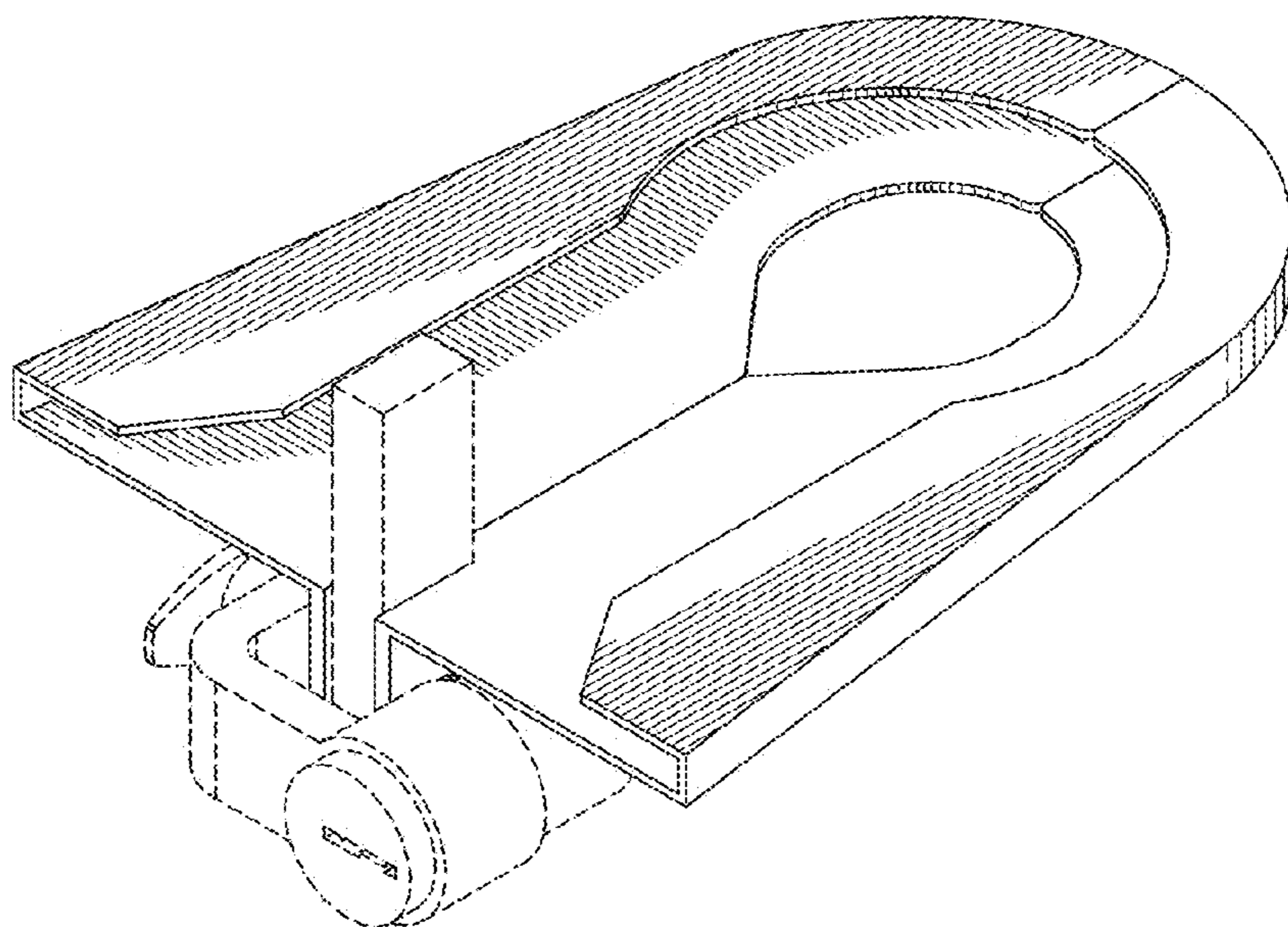


FIG. 1

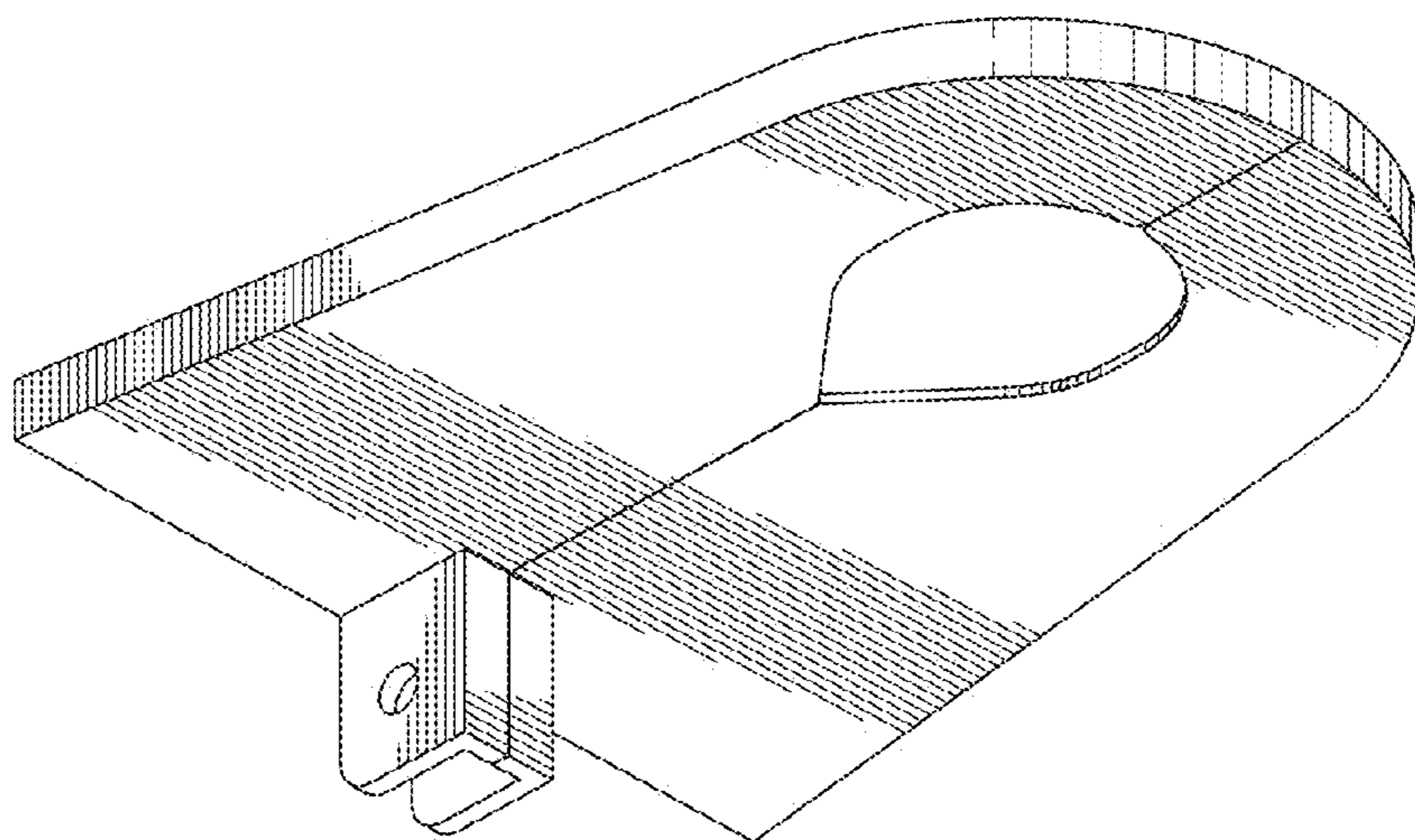


FIG. 2

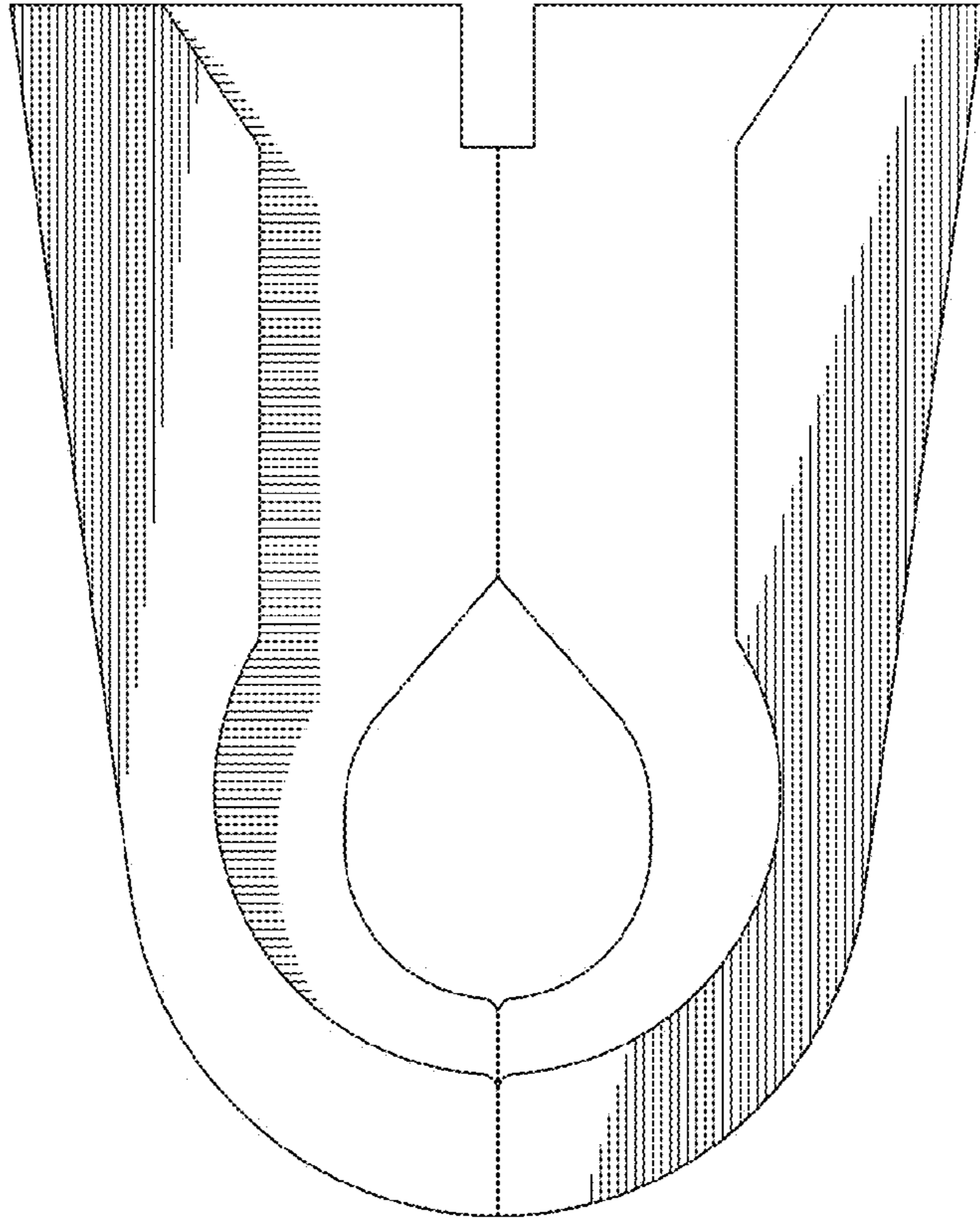


Fig. 3

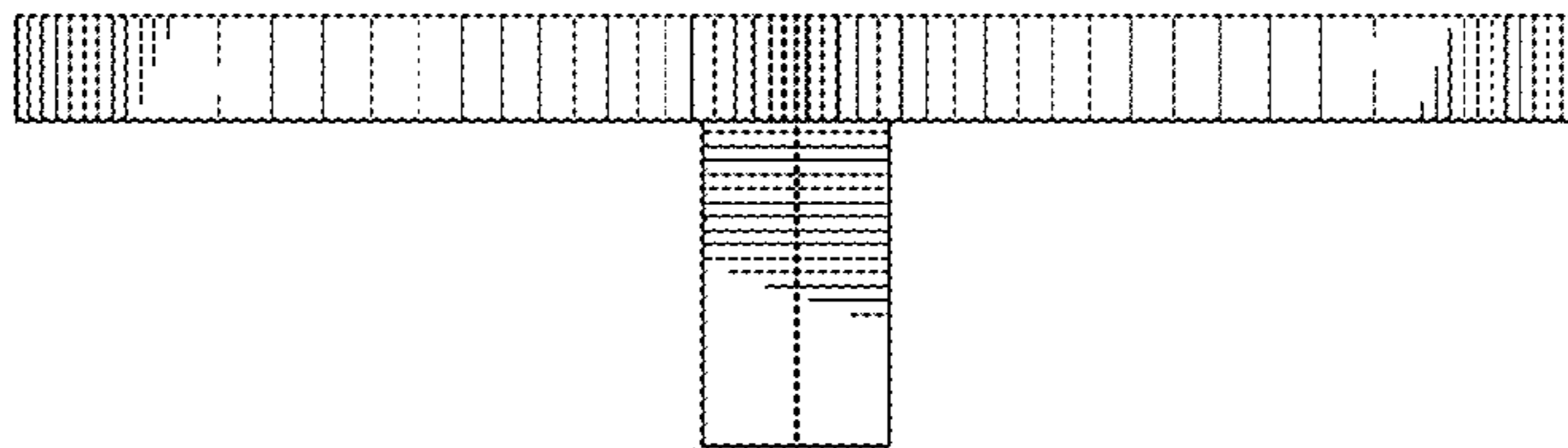


Fig. 4

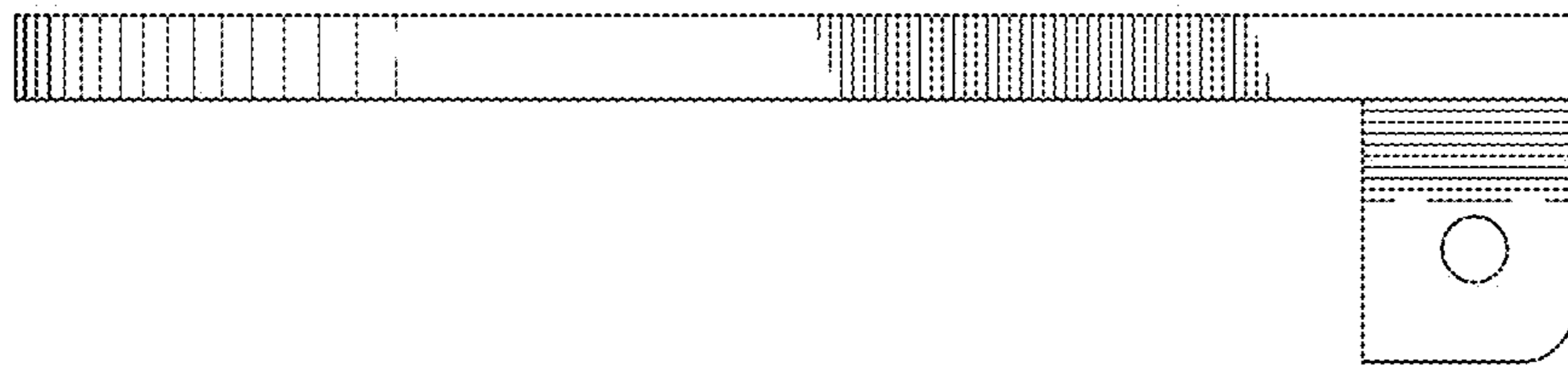


FIG. 5

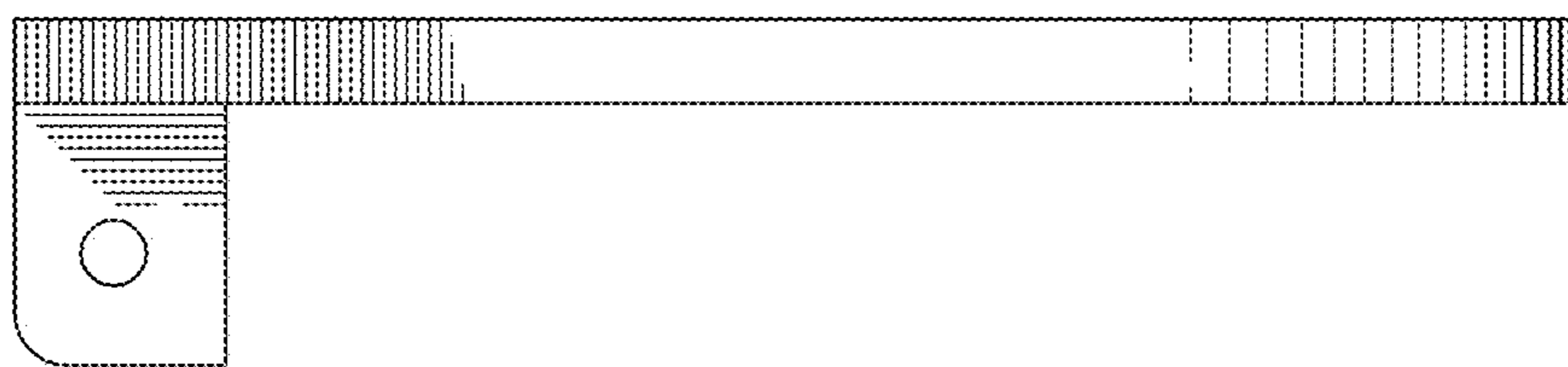
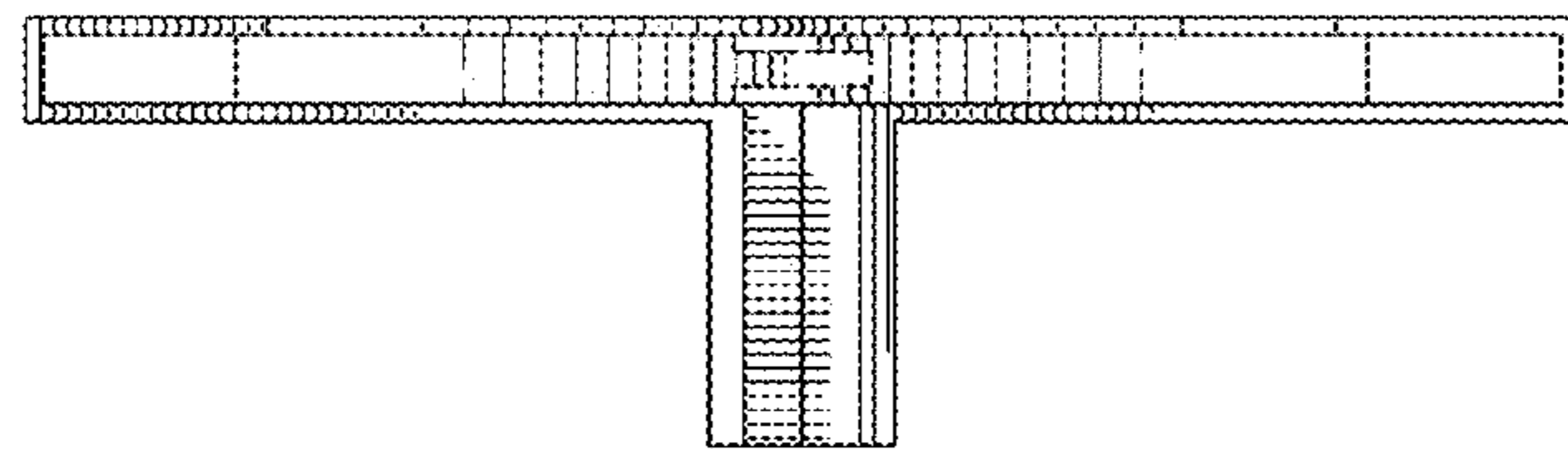
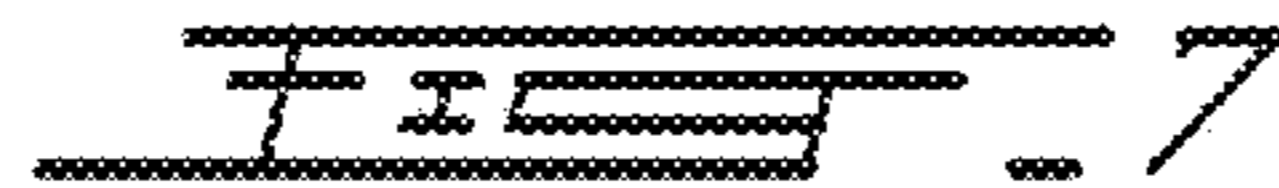
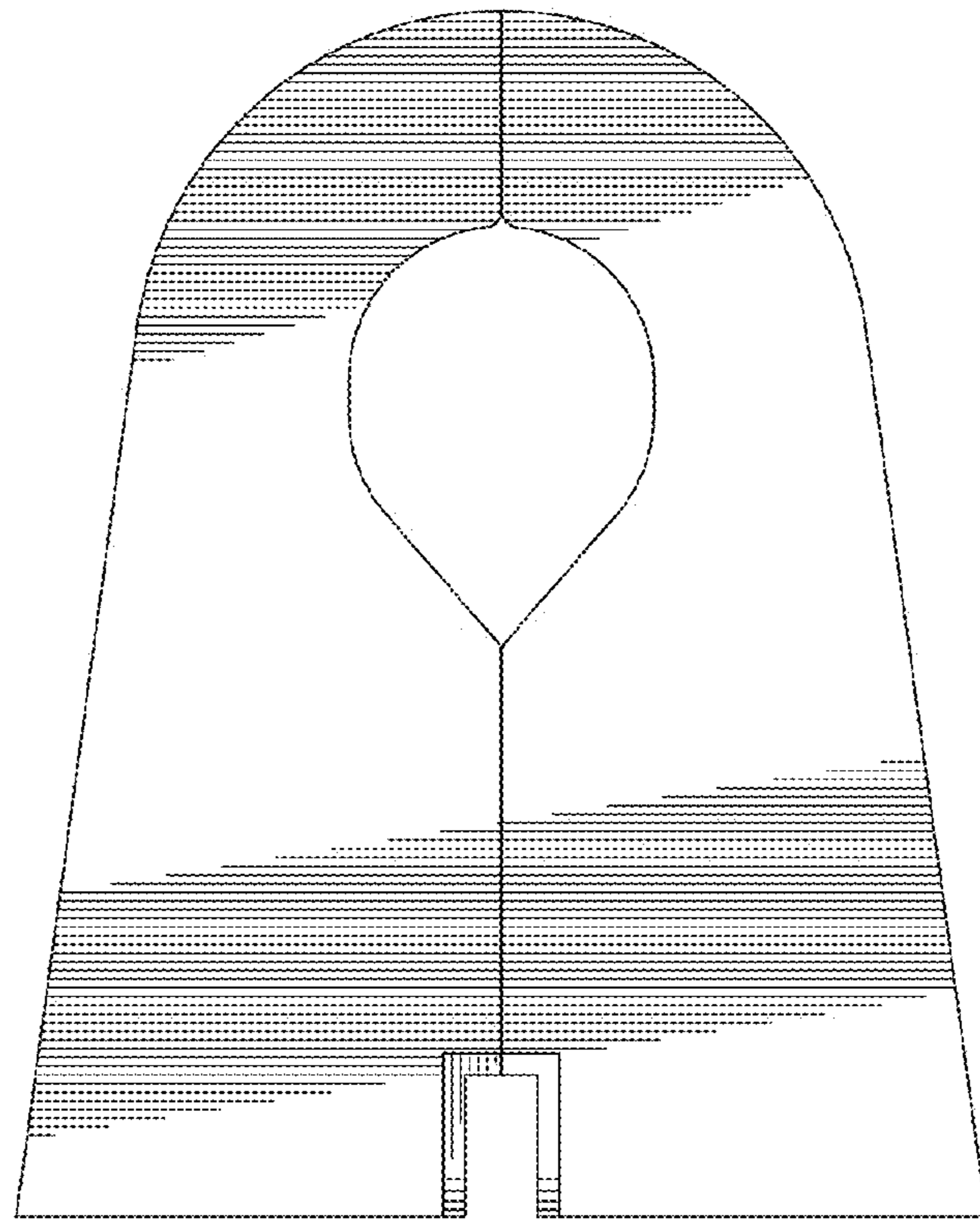


FIG. 6



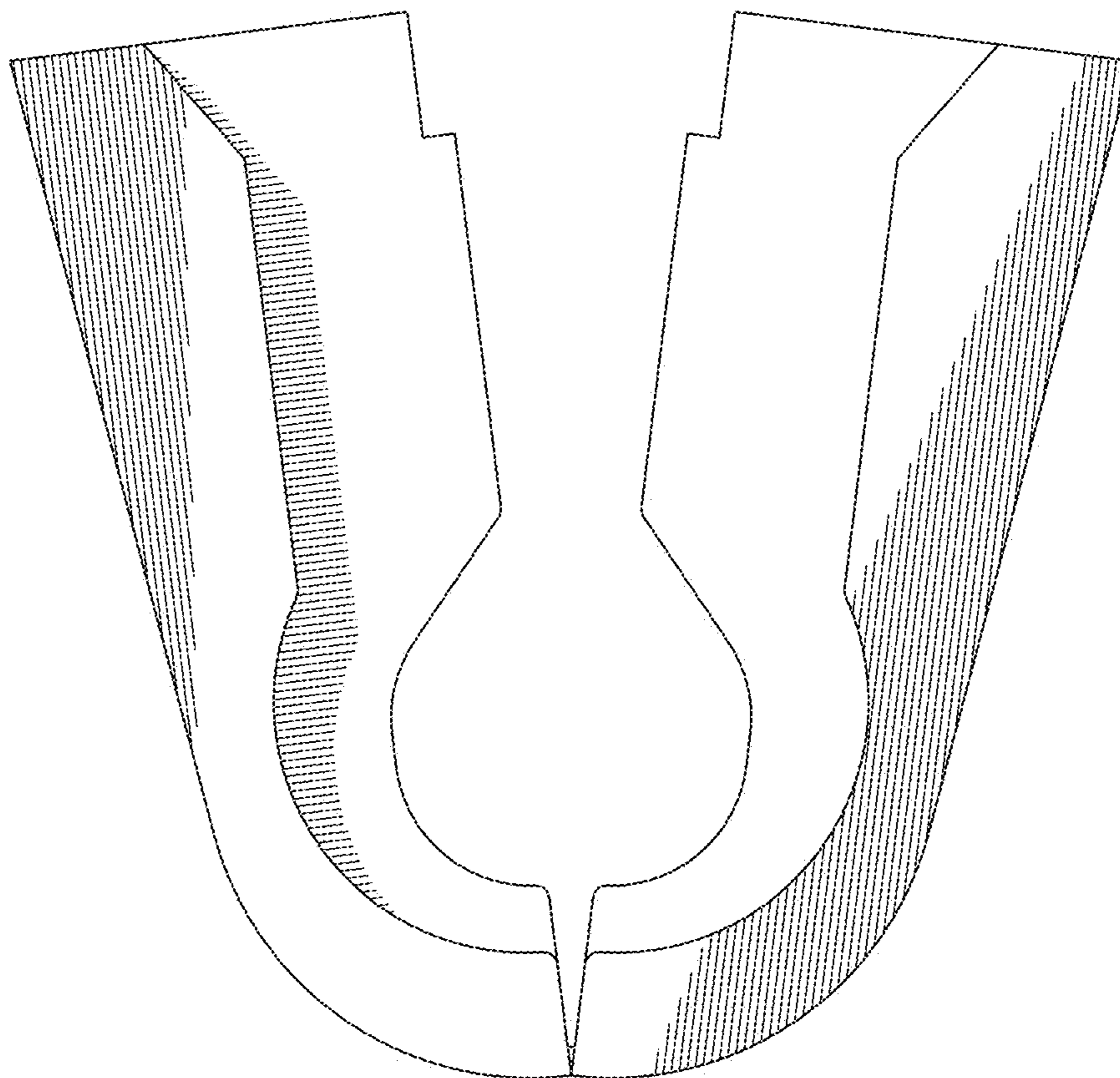


FIG. 9