



US00D693745S

(12) **United States Design Patent**
Zhu

(10) **Patent No.:** **US D693,745 S**
(45) **Date of Patent:** **** Nov. 19, 2013**

- (54) **STROLLER**
- (75) Inventor: **Wanquan Zhu**, Taipei (TW)
- (73) Assignee: **Wonderland Nurserygoods Company Limited**, Central (HK)
- (**) Term: **14 Years**
- (21) Appl. No.: **29/413,049**
- (22) Filed: **Feb. 10, 2012**
- (51) **LOC (9) Cl.** **12-12**
- (52) **U.S. Cl.**
USPC **D12/133; D12/129**
- (58) **Field of Classification Search**
USPC D12/128-133; 280/62, 647-650, 29,
280/200, 47.38, 250.1, 259, 642, 658,
280/304.1; 128/99.1, 100.1
See application file for complete search history.

D519,422 S *	4/2006	Huang	D12/129
7,267,359 B1 *	9/2007	Yang et al.	280/642
D566,013 S *	4/2008	Wang	D12/129
7,364,171 B2 *	4/2008	Hu	280/47.38
D571,263 S *	6/2008	Lai	D12/129
D578,045 S *	10/2008	Liao	D12/129
D578,936 S *	10/2008	Chen	D12/129
D621,306 S *	8/2010	Liao	D12/129

* cited by examiner

Primary Examiner — Ian Simmons
Assistant Examiner — Charles Hanson
(74) *Attorney, Agent, or Firm* — Bacon & Thomas, PLLC

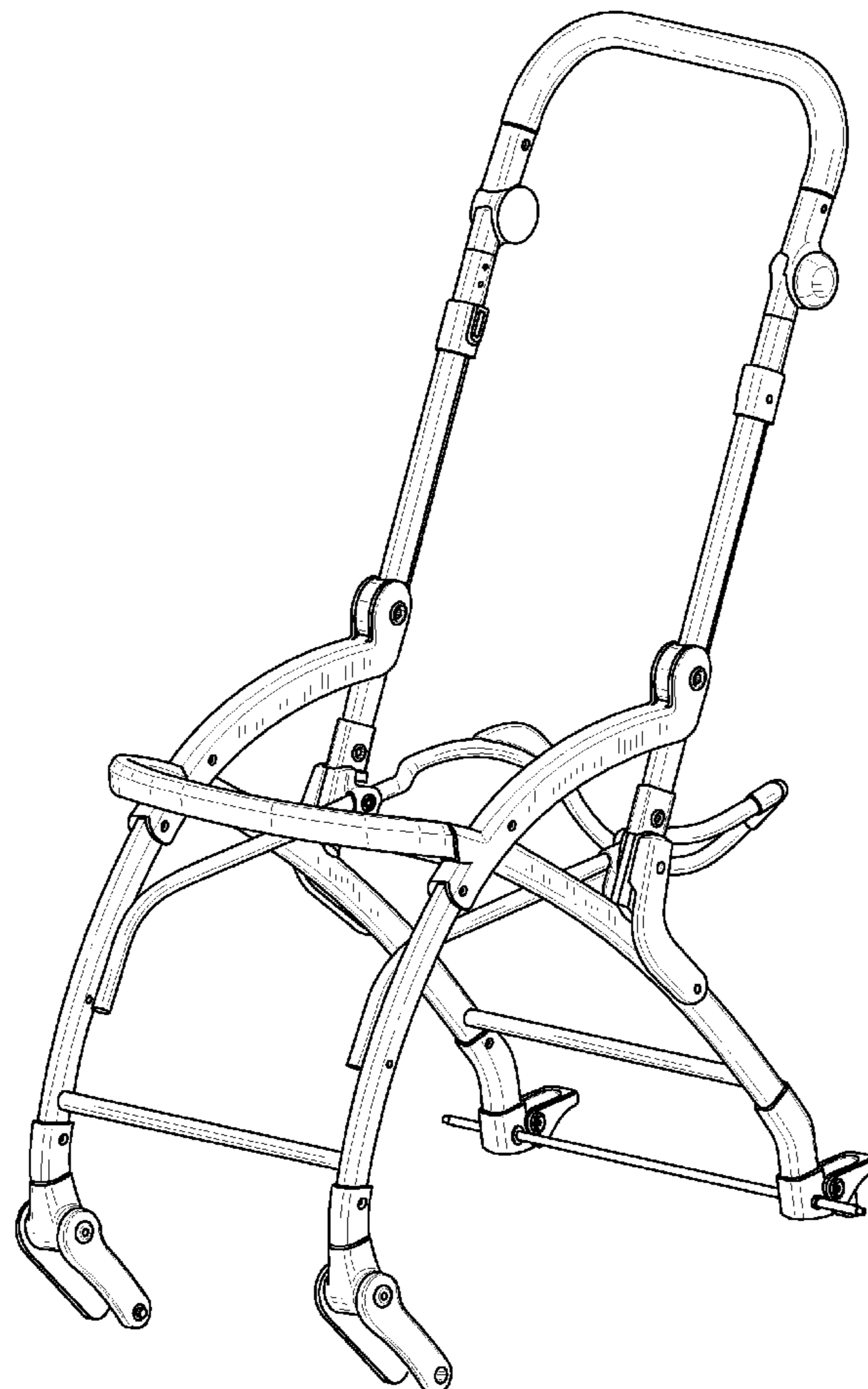
(57) **CLAIM**
The ornamental design for a stroller, as shown and described.

DESCRIPTION

FIG. 1 is a perspective view of a stroller, showing my new design;
FIG. 2 is a front view of the stroller of the new design;
FIG. 3 is a rear view of the stroller of the new design;
FIG. 4 is a top view of the stroller of the new design;
FIG. 5 is a bottom view of the stroller of the new design;
FIG. 6 is a left-side view of the stroller of the new design; and,
FIG. 7 is a right-side view of the stroller of the new design.

1 Claim, 7 Drawing Sheets

- (56) **References Cited**
U.S. PATENT DOCUMENTS
D451,434 S * 12/2001 Hsia D12/129
D486,430 S * 2/2004 Chang D12/129



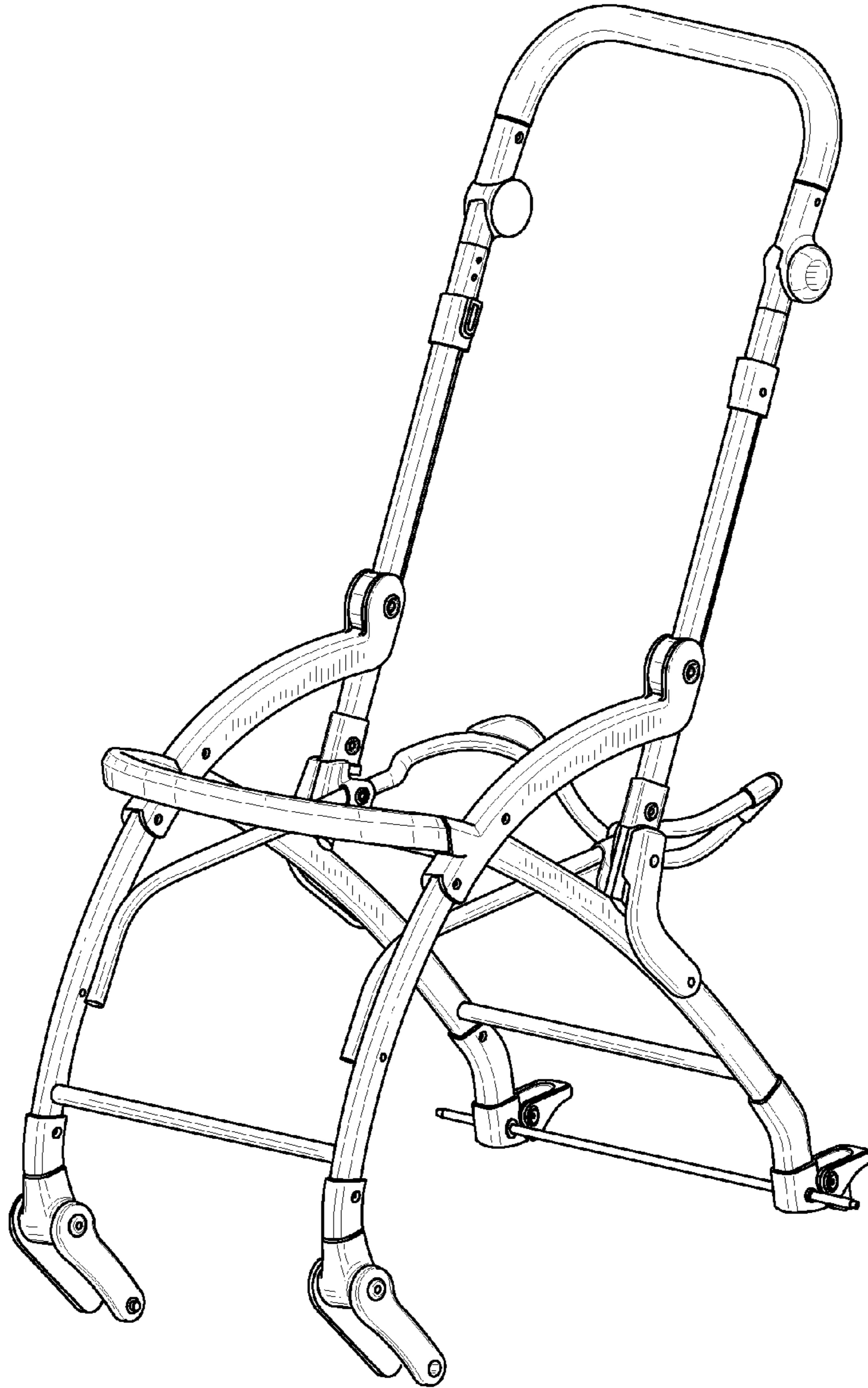


FIG. 1

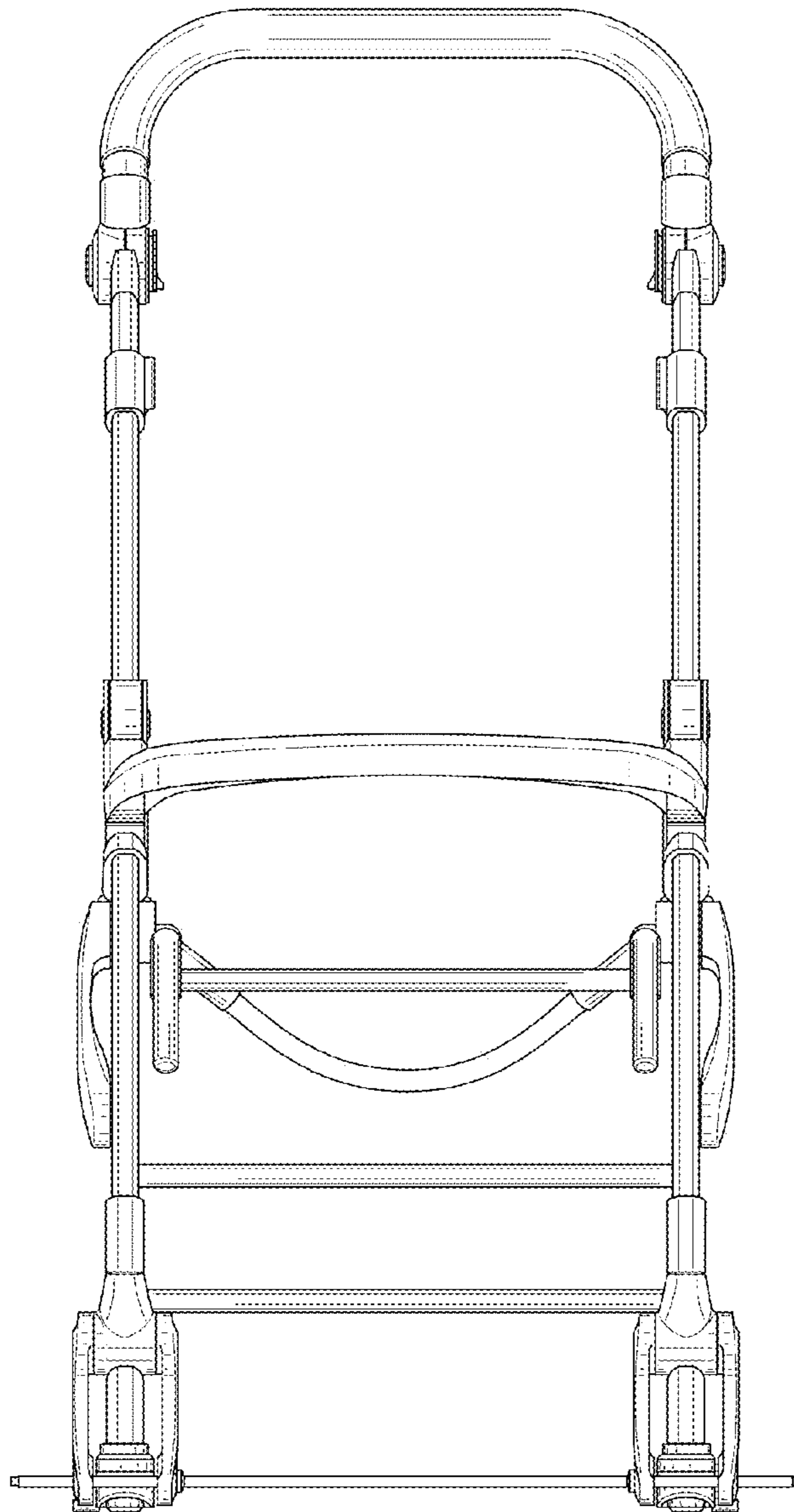


FIG. 2

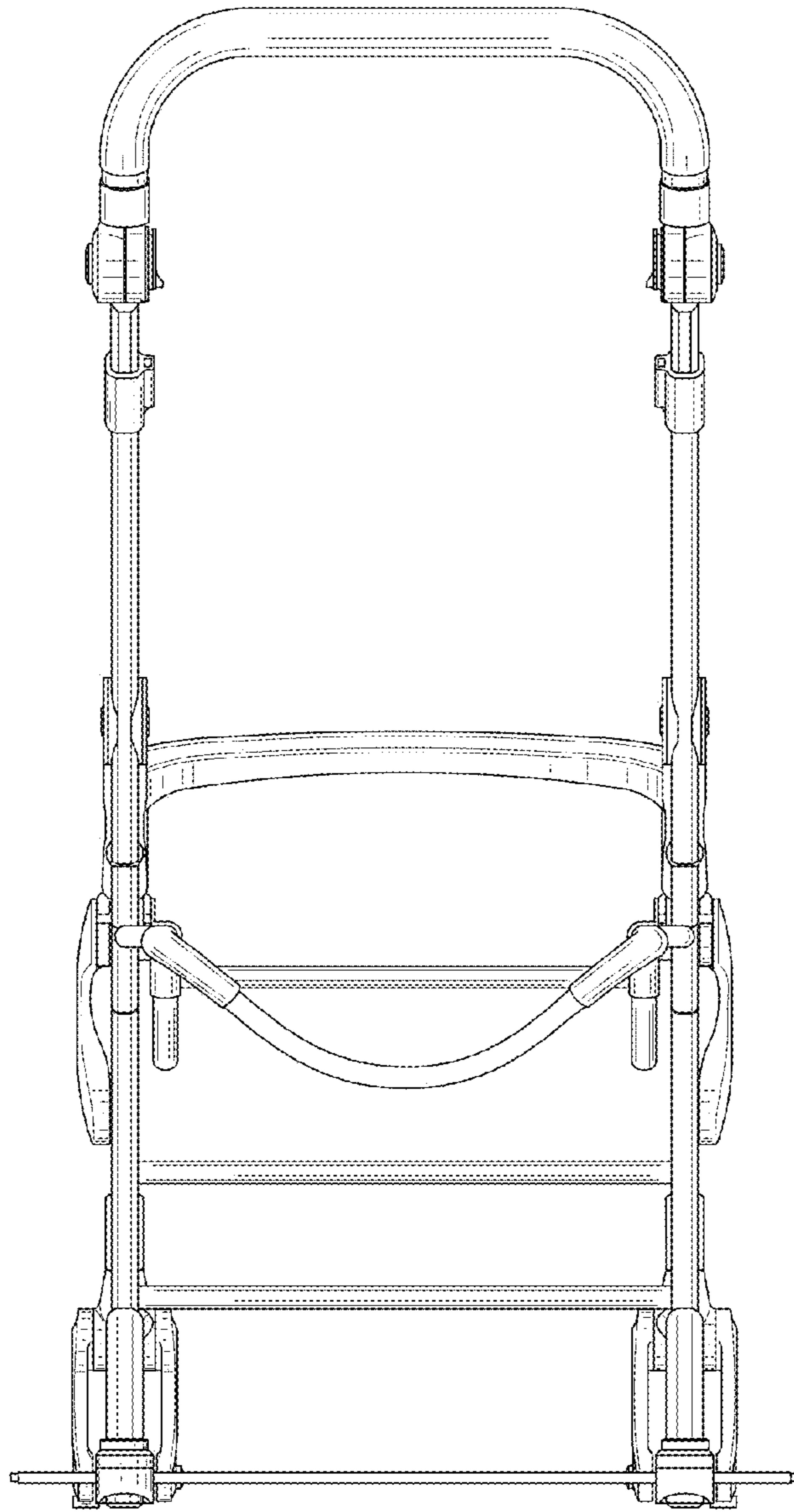


FIG. 3

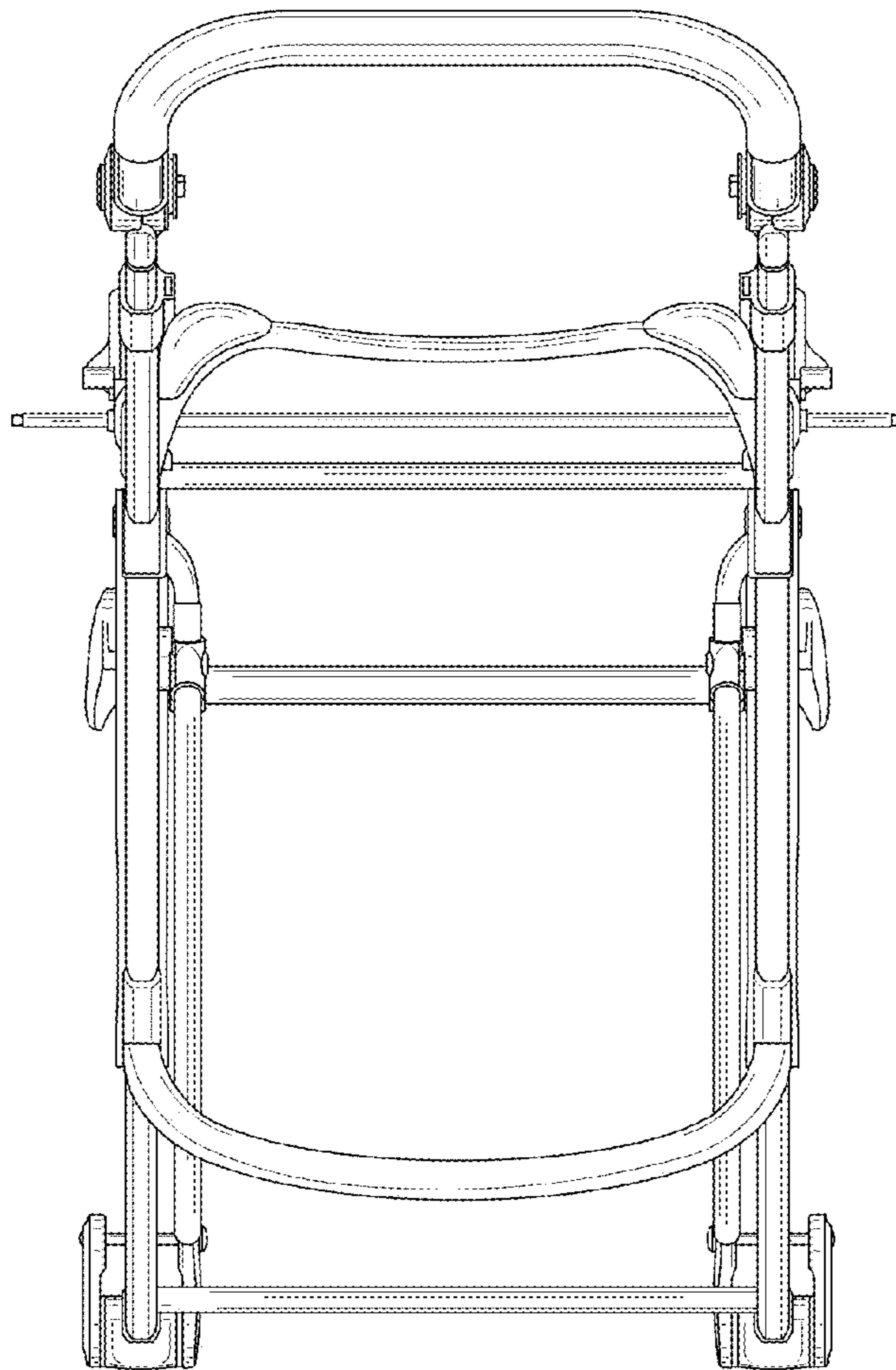


FIG. 4

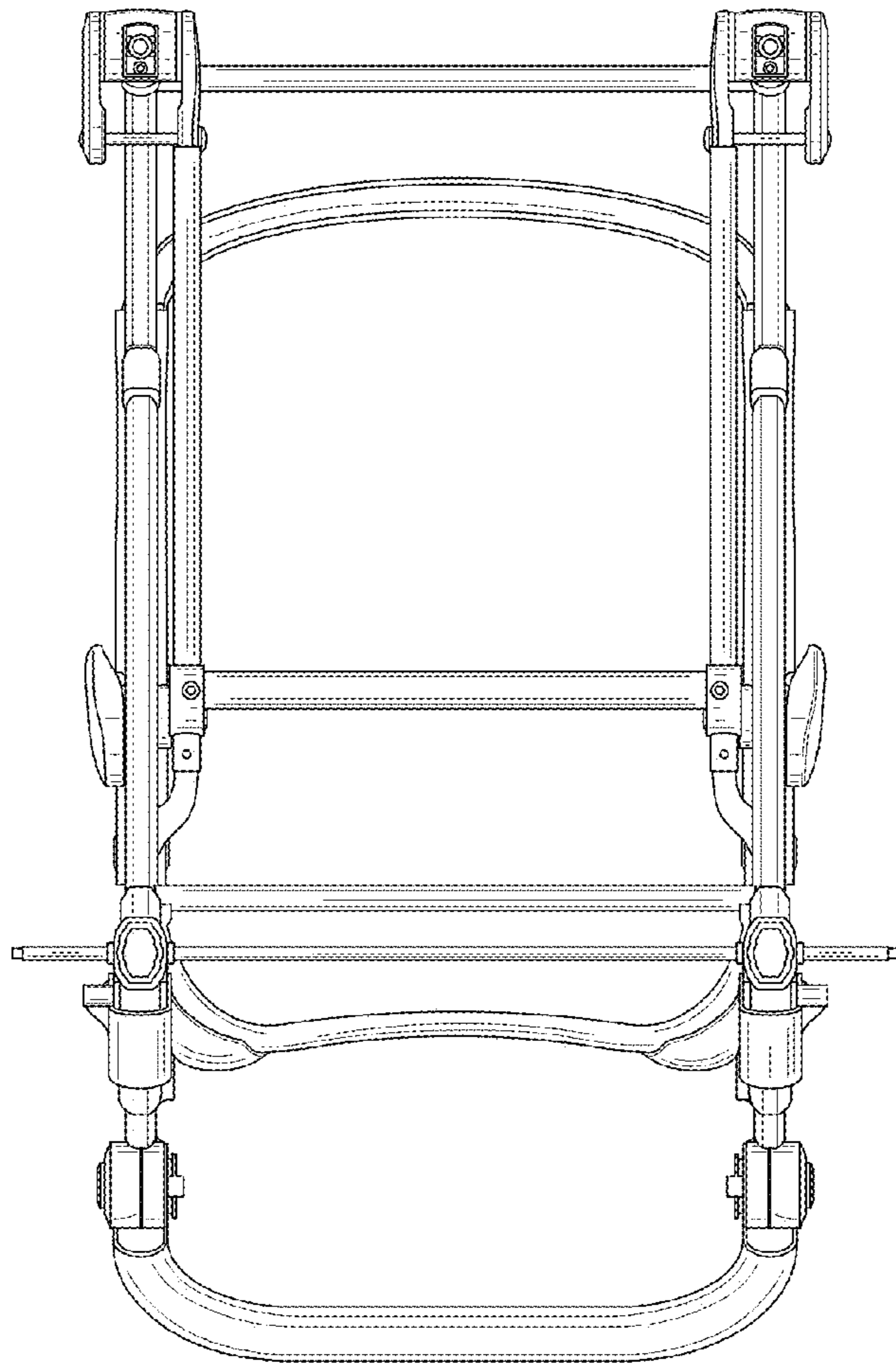


FIG. 5

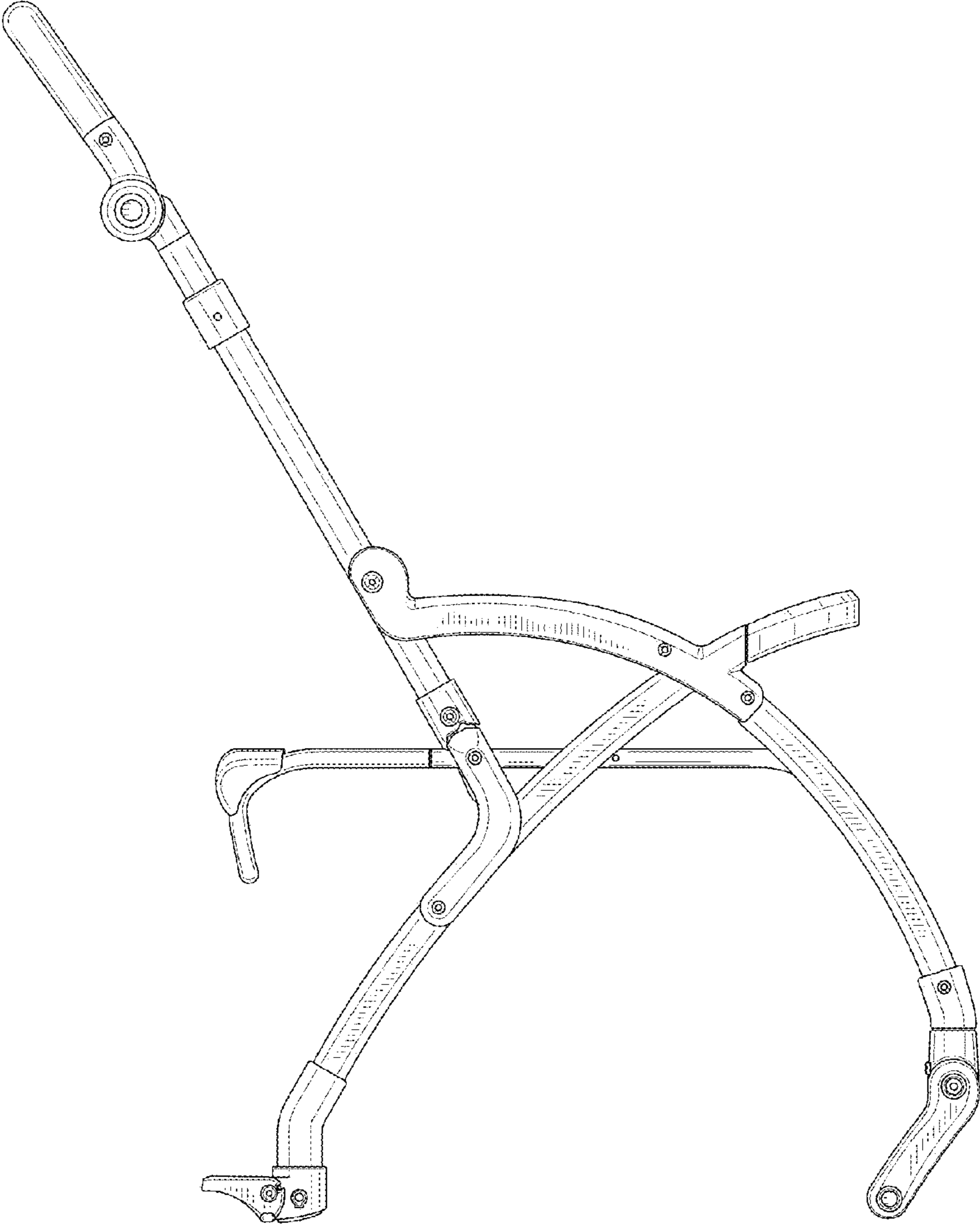


FIG. 6

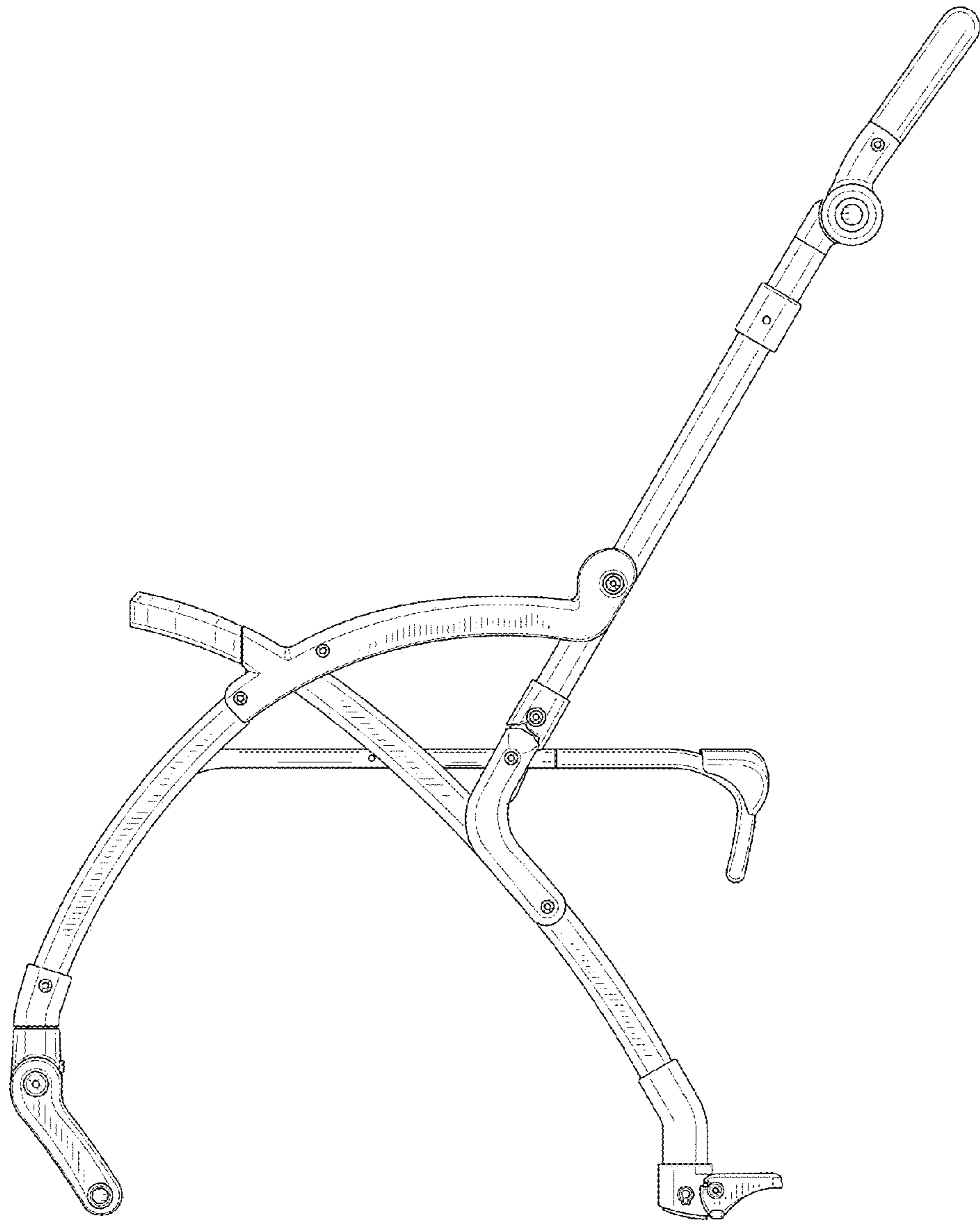


FIG. 7