



US00D693742S

(12) **United States Design Patent**
Fredendall et al.

(10) **Patent No.:** **US D693,742 S**

(45) **Date of Patent:** **** Nov. 19, 2013**

(54) **SHOPPING CART STROLLER**

(75) Inventors: **Jonathon A. Fredendall**, Buffalo, MN (US); **John Robert Ebling**, Northfield, MN (US); **Jay Robert Stemler**, Elk River, MN (US); **Gary Robert Ebling**, Northfield, MN (US)

(73) Assignee: **Retail Design Services, LLC**, Northfield, MN (US)

(**) Term: **14 Years**

(21) Appl. No.: **29/406,239**

(22) Filed: **Nov. 10, 2011**

(51) **LOC (9) Cl.** **12-12**

(52) **U.S. Cl.**
USPC **D12/129; D34/17**

(58) **Field of Classification Search**
USPC **D12/128-133; 280/62, 647-650, 29, 280/200, 47.38, 250.1, 259, 642, 658, 280/304.1, 33.991, 30; 128/99.1, 100.1; D34/12, 17, 21**
See application file for complete search history.

(56) **References Cited**

U.S. PATENT DOCUMENTS

2,689,133	A	9/1954	Goldman	
3,019,953	A	2/1962	Umanoff	
3,309,100	A	3/1967	Barbuti	
D240,297	S *	6/1976	Trubiano D12/129
D263,456	S	3/1982	Muellner	
4,765,644	A	8/1988	Bell	
D319,906	S	9/1991	Takahashi	
5,125,674	A *	6/1992	Manuszak 280/30
5,649,718	A	7/1997	Groglio	
D386,873	S *	11/1997	Langlois D'Estaintot et al. D34/21
6,098,998	A	8/2000	Ondrasik	
D444,281	S	6/2001	Gaze et al.	
D444,927	S	7/2001	Lin	

6,406,014	B1	6/2002	Reist	
D465,632	S *	11/2002	Koppes et al. D34/17
D468,880	S *	1/2003	Porter D34/17
6,523,840	B1	2/2003	Koppes et al.	
D473,691	S *	4/2003	Kolada et al. D34/21
6,679,506	B2	1/2004	Koppes et al.	
6,932,363	B2	8/2005	D'Angelo	
D525,758	S	7/2006	Lynch	
D540,998	S	4/2007	Splain et al.	
D550,423	S	9/2007	Splain et al.	
7,407,169	B2	8/2008	Splain	

(Continued)

OTHER PUBLICATIONS

Michael Daehn, "The Importance of Shopping Carts," obtained from <http://marketingenious.terapad.com>, published Dec. 10, 2008, printed Jul. 1, 2011, 7 pages.

(Continued)

Primary Examiner — Ian Simmons
Assistant Examiner — Charles Hanson
(74) *Attorney, Agent, or Firm* — James L. Young; Westman, Champlin & Koehler, P.A.

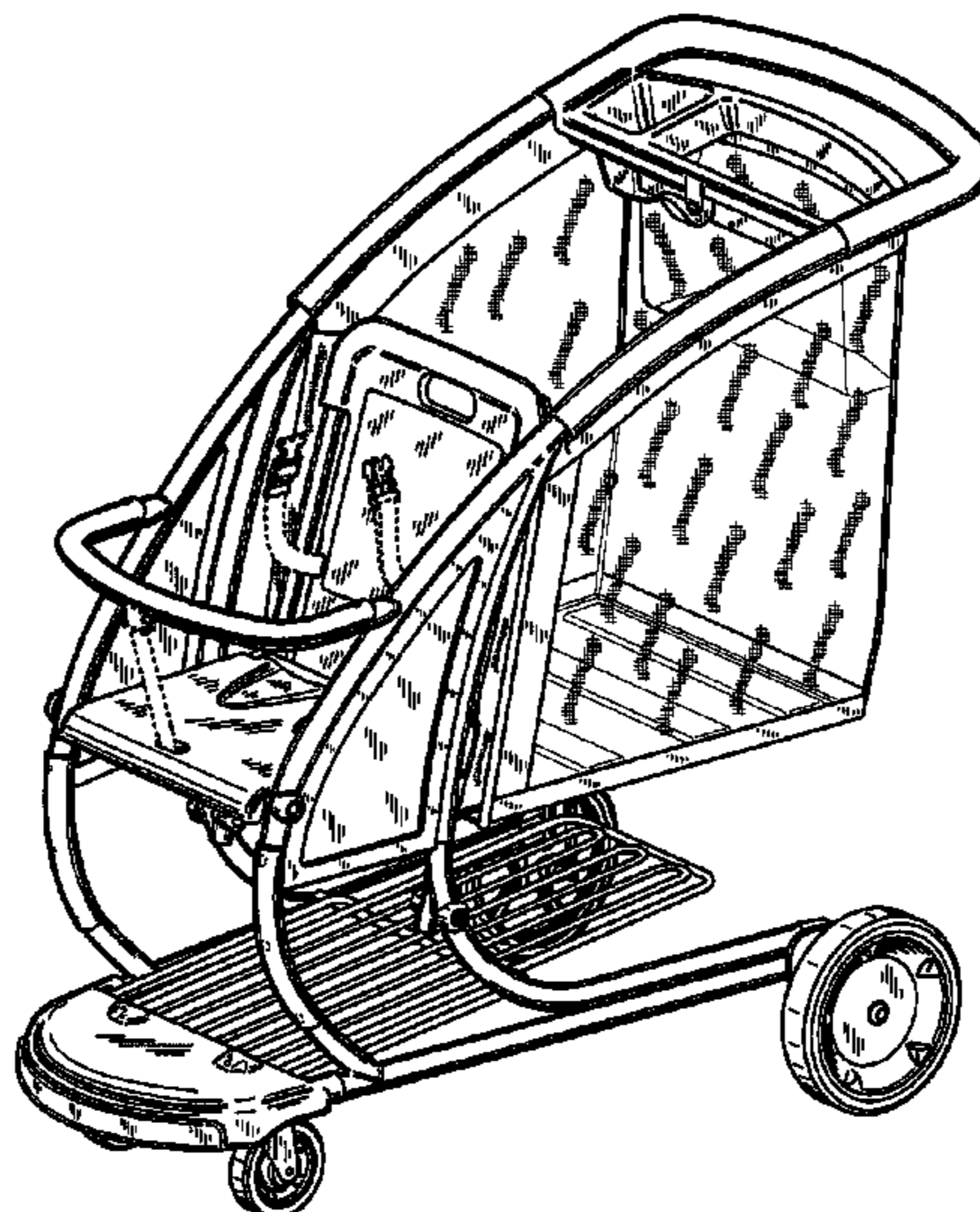
(57) **CLAIM**

The ornamental design for a shopping cart stroller, as shown and described.

DESCRIPTION

FIG. 1 is an isometric view of a shopping cart stroller showing our new design;
FIG. 2 is a front end view thereof;
FIG. 3 is a rear end view thereof;
FIG. 4 is a right side view thereof;
FIG. 5 is a left side view thereof, with the right side being a mirror image thereof;
FIG. 6 is a top view thereof; and,
FIG. 7 is a bottom view thereof.
The broken lines in the figures are for illustrative purposes only and form no part of the claimed design.

1 Claim, 7 Drawing Sheets



(56)

References Cited

U.S. PATENT DOCUMENTS

7,494,135	B2 *	2/2009	Ash et al.	280/33.991
D606,722	S *	12/2009	Walter	D34/12
7,959,166	B2 *	6/2011	Splain et al.	280/33.991
D649,732	S	11/2011	Muscara	
2001/0035618	A1	11/2001	DeCost	
2002/0074753	A1	6/2002	Thalhofer et al.	
2005/0067801	A1	3/2005	Copland	
2007/0210541	A1	9/2007	Johnson	
2008/0211200	A1	9/2008	Eberlein	
2009/0315300	A1	12/2009	Siba	

OTHER PUBLICATIONS

Sears shopping cart, obtained from www.prioritydesigns.com, copyright 2007-2011, printed Oct. 13, 2011, 7 pages.
 EXpress6000—Retail Metal Shopping Cart, obtained from www.versacart.com/express6000.php, copyright 2008, printed Nov. 8, 2011, 1 page.

Claire Erickson, “My Latest Project,” published at www.ericksoncl.wordpress.com/2010/05/14/my-latest-project/, posted May 14, 2010, printed Nov. 8, 2011, 1 page.

Sunrise Trolley Manufacturers, Products, obtained from www.indiamart.com/sunrise-trolley-mfg/products.html, printed Nov. 10, 2011, 9 pages.

Paul Rako, “Build a goofy shopping cart, and the media will beat a path to your door,” published at www.rako.com/Diamond/28.html, dated May 21, 2011, printed Nov. 10, 2011, 4 pages.

“IDEO Shopping Trolley,” The Retail Experience Project, published at <http://retailsingapore.wordpress.com/2011/10/16/ideo-shopping-trolley/>, post Oct. 16, 2011, print May 25, 2012, 2 pgs.

“IDEO Shopping Trolley,” Design Against Crime, pp. 24-28 and 1 photo page, published at <http://extra.shu.ac.uk/dac/ideo.pdf>, obtained Nov. 2011.

“Standard Consumer Safety Performance Specification for Shopping Carts,” ASTM International, W. Conshohocken, PA, US; Designation: F 2372-04, Jul. 2004, 13 pages.

* cited by examiner

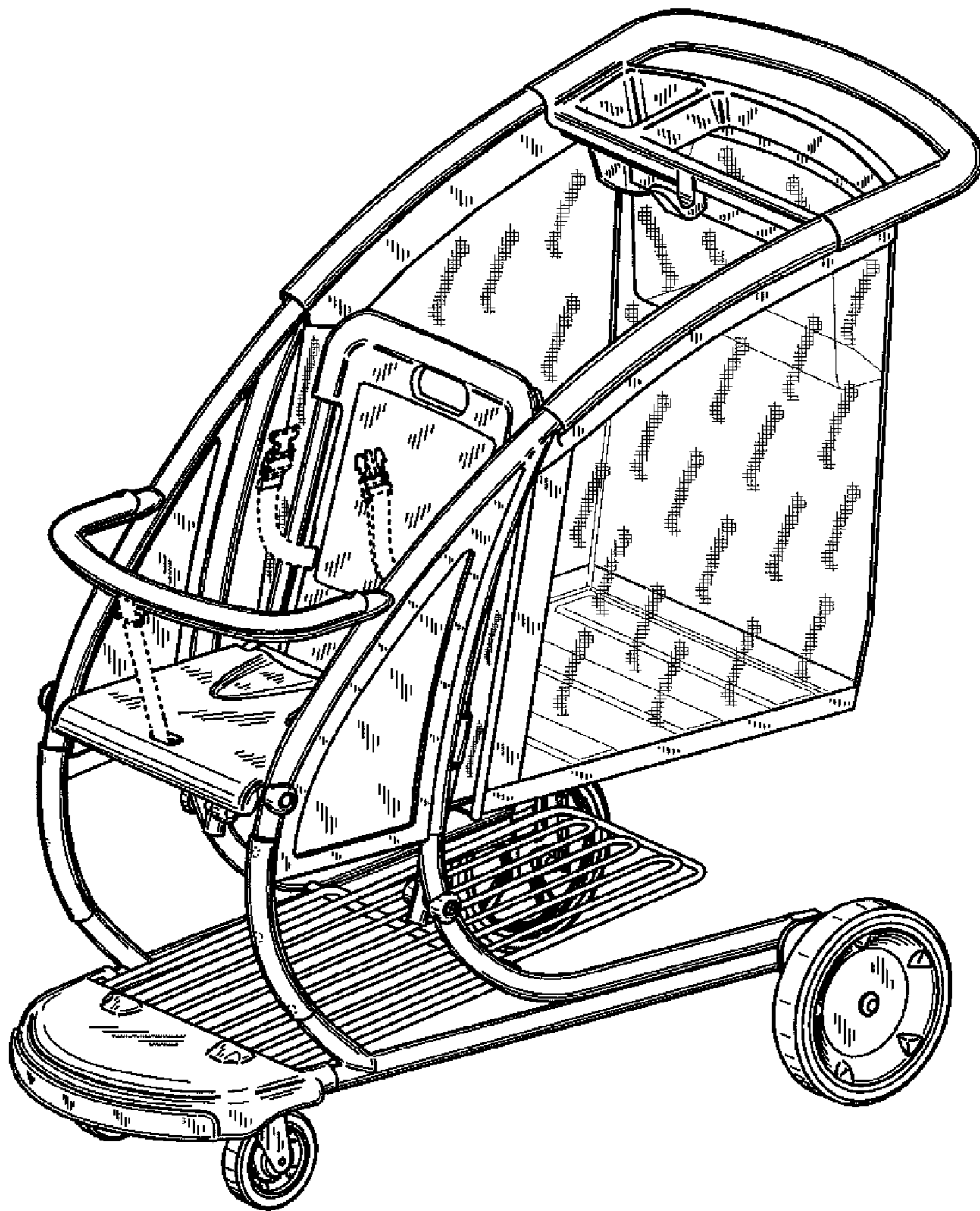


Fig. 1

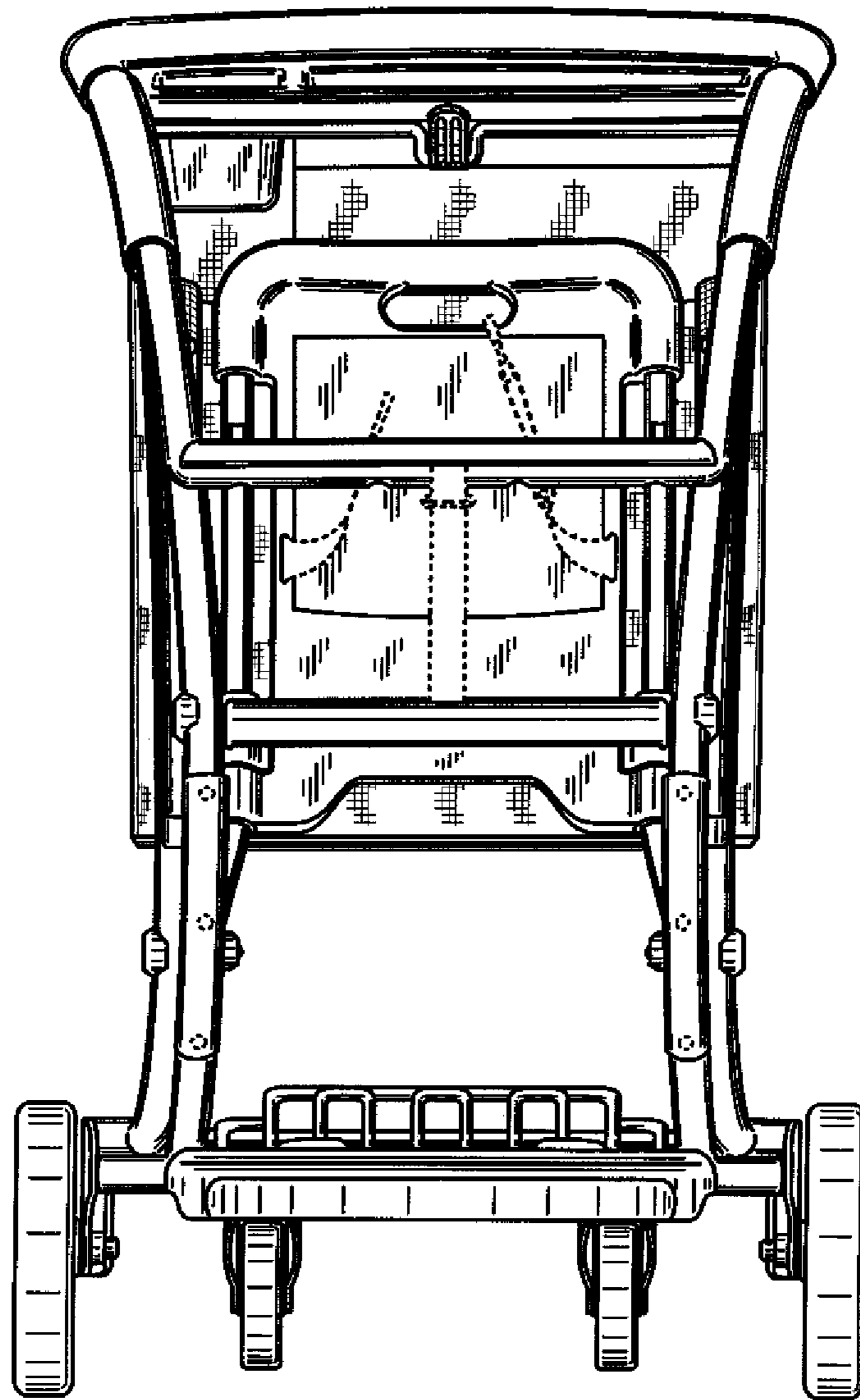


Fig. 2

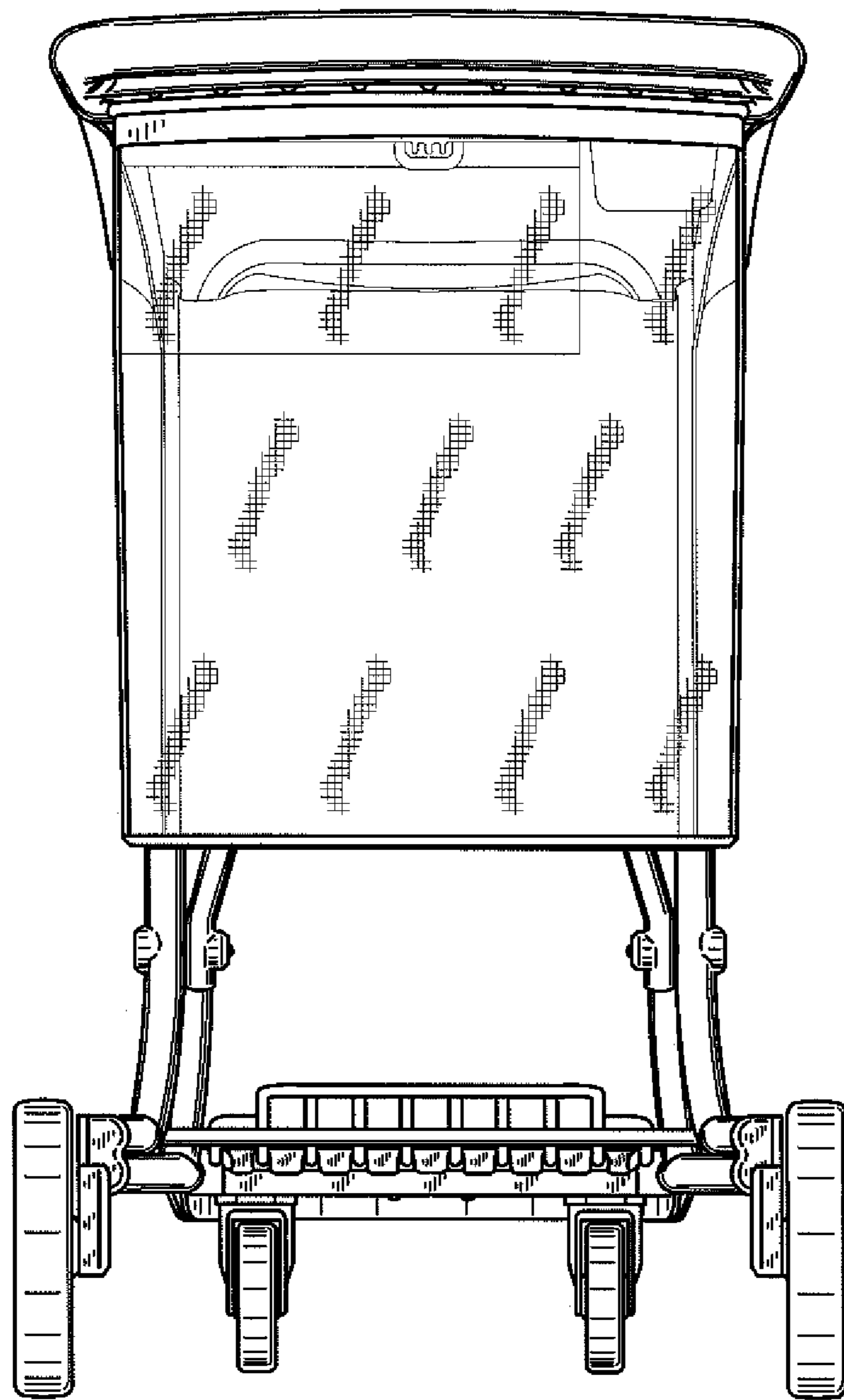


Fig. 3

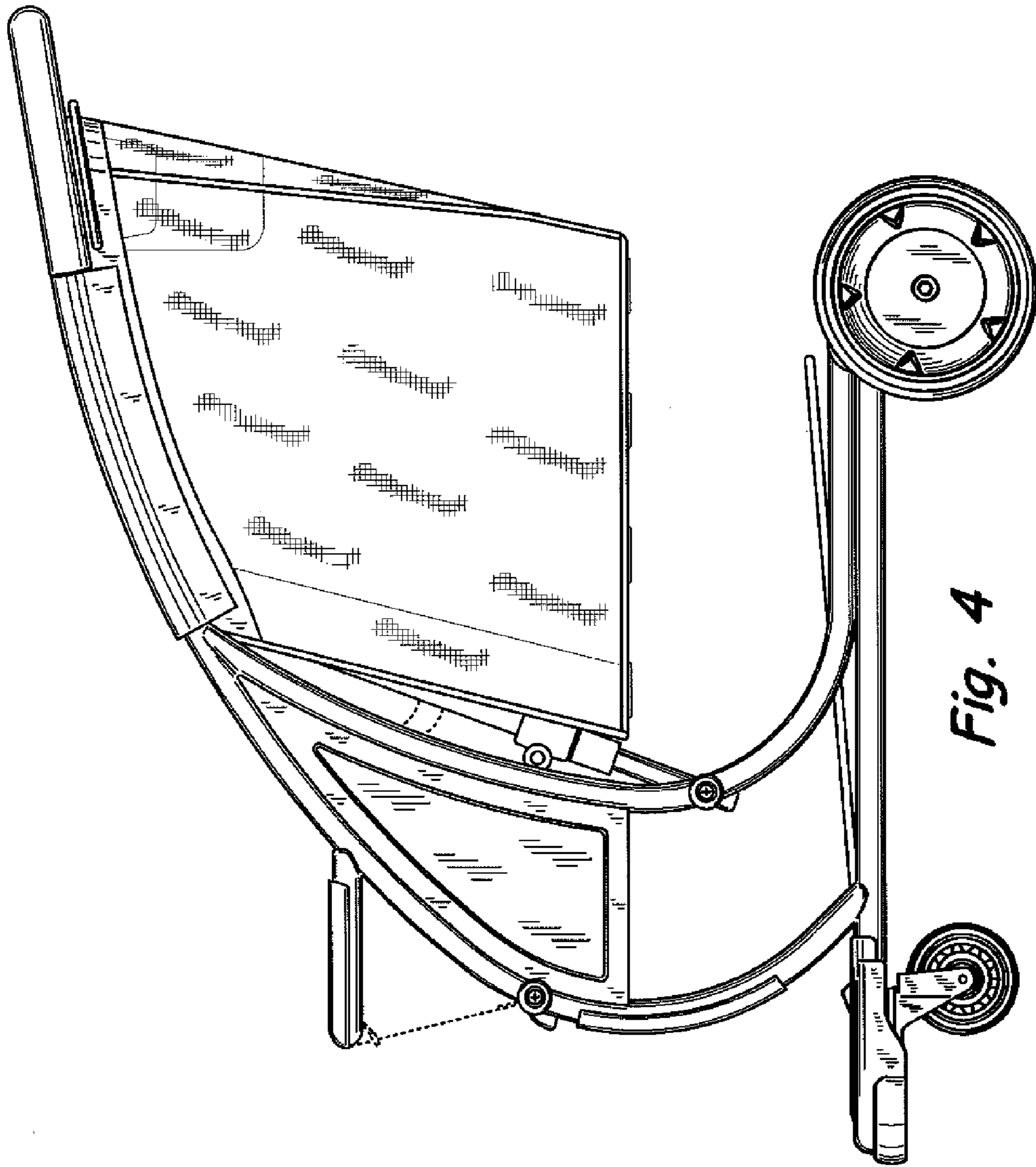


Fig. 4

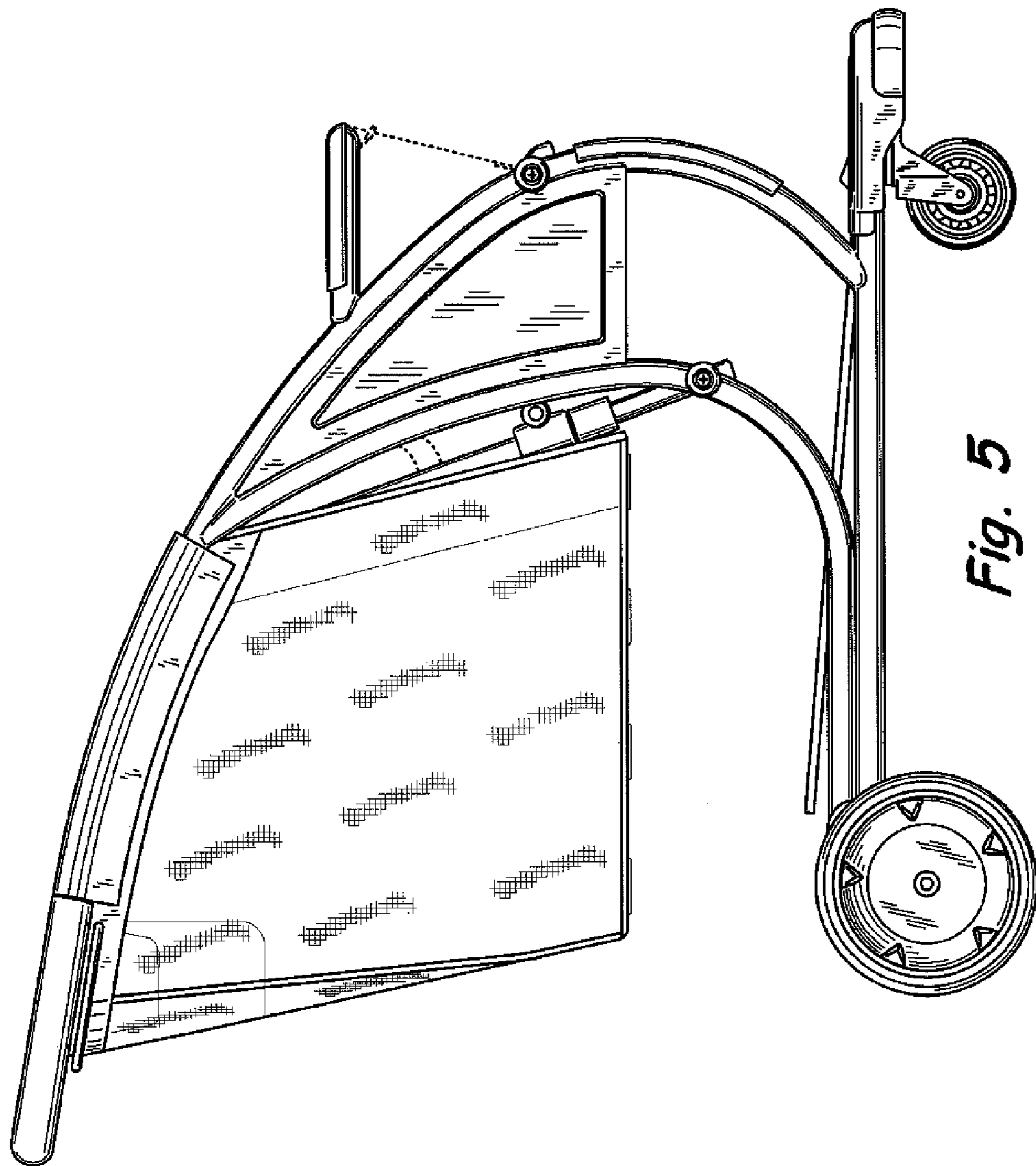


Fig. 5

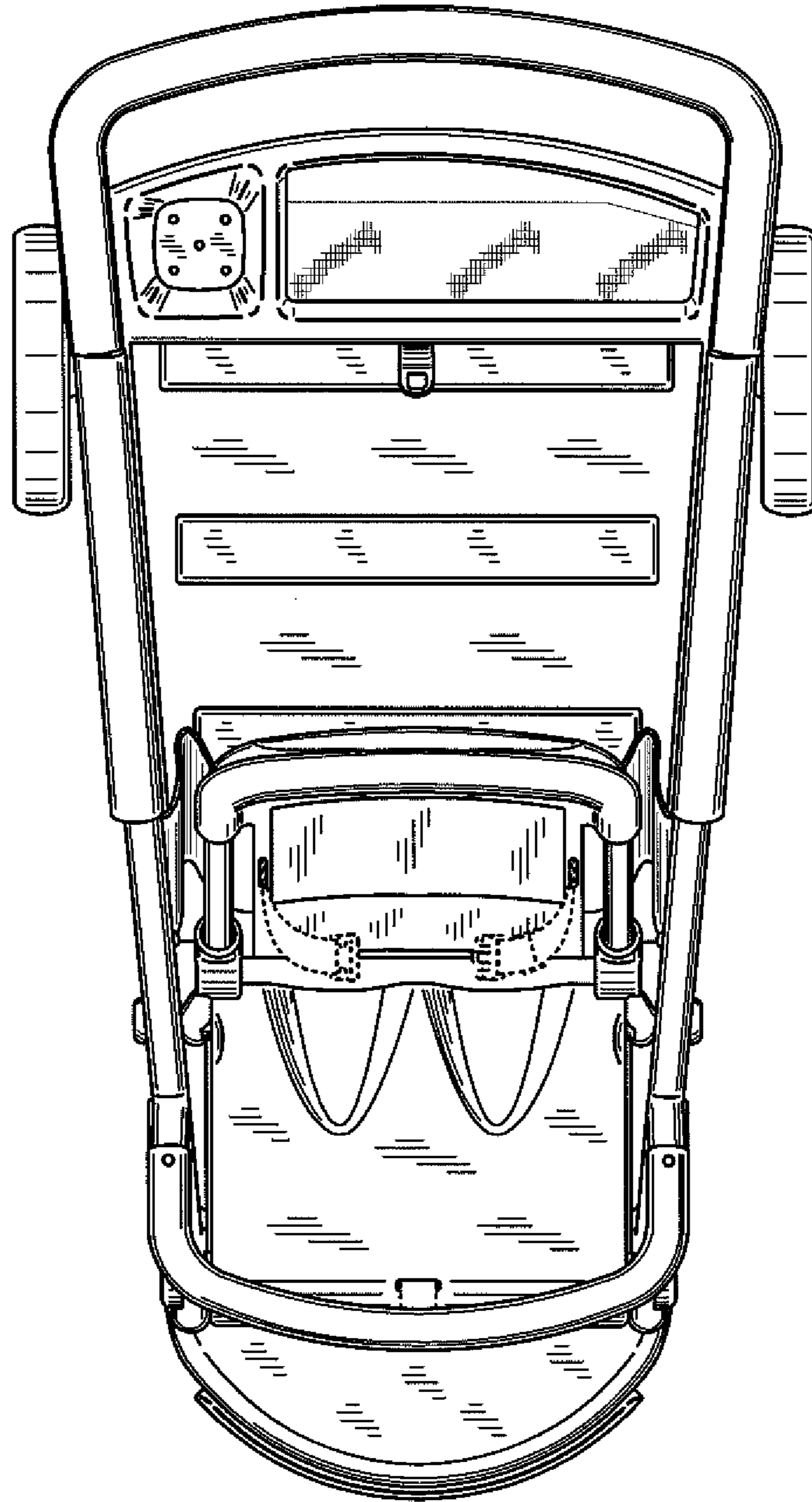


Fig. 6

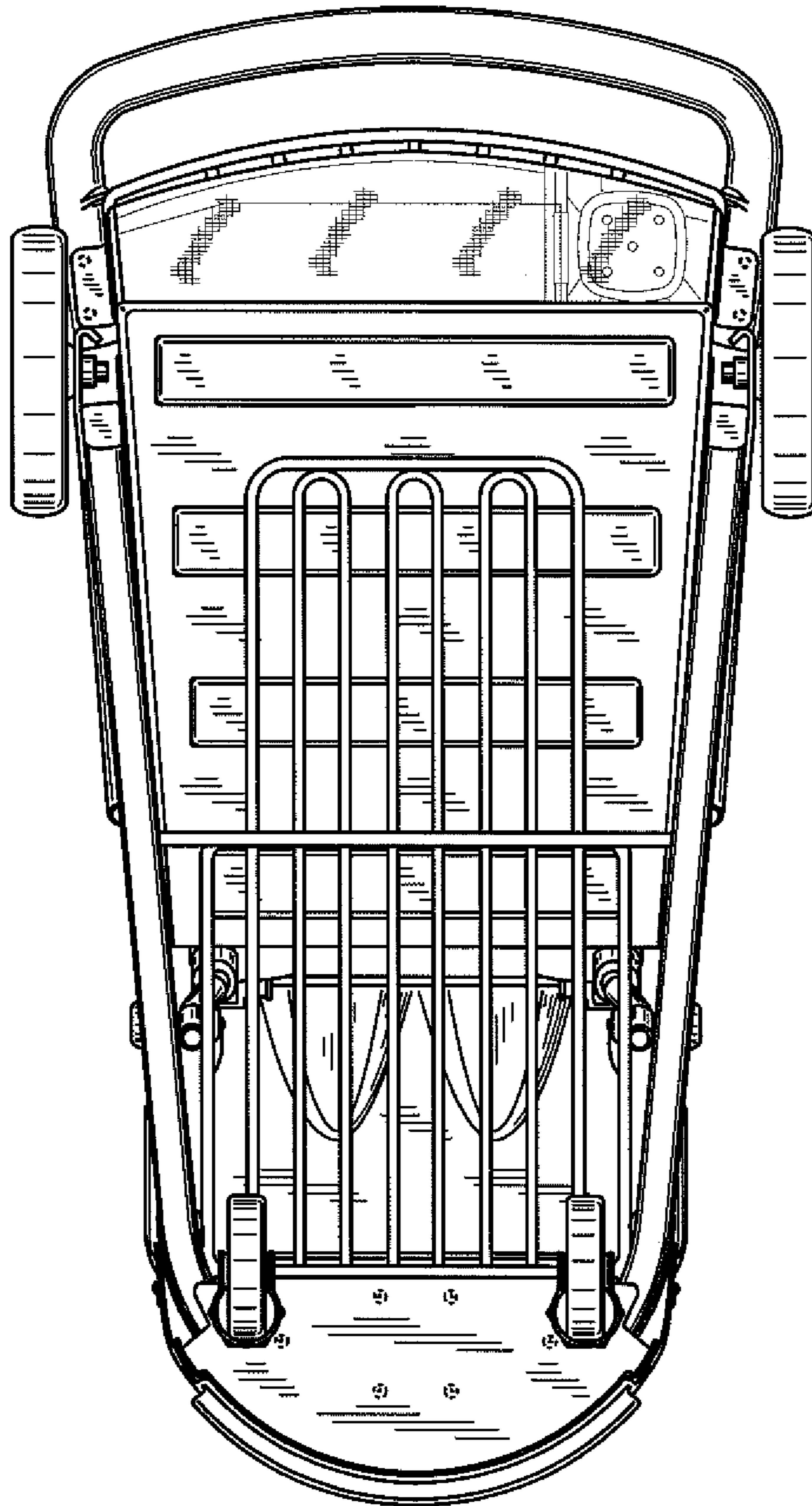


Fig. 7