



US00D693741S

(12) **United States Design Patent**
Carrier

(10) **Patent No.:** **US D693,741 S**

(45) **Date of Patent:** **** Nov. 19, 2013**

(54) **RAPID EXTRICATION DEVICE**

(76) Inventor: **Allen R. Carrier**, Goshen, OH (US)

(**) Term: **14 Years**

(21) Appl. No.: **29/416,913**

(22) Filed: **Mar. 28, 2012**

(51) **LOC (9) Cl.** **12-12**

(52) **U.S. Cl.**
USPC **D12/128; D3/315**

(58) **Field of Classification Search**
USPC D12/128-133; 280/62, 647-650, 29,
280/200, 47.38, 35, 250.1, 259, 642, 658;
296/65.03, 65.04; 135/65-67, 74;
D3/315

See application file for complete search history.

(56) **References Cited**

U.S. PATENT DOCUMENTS

3,620,211	A	11/1971	Goddell et al.	
4,473,912	A	10/1984	Scheidel et al.	
4,601,075	A	7/1986	Smith	
4,895,173	A	1/1990	Brault et al.	
4,945,583	A	8/1990	Schnitzler	
5,058,575	A *	10/1991	Anderson	602/18
5,161,275	A	11/1992	Simpson et al.	
5,317,770	A	6/1994	Sakurai	
5,729,850	A *	3/1998	Eskeli	5/621
5,745,938	A	5/1998	Bartley et al.	
5,803,087	A	9/1998	Thompson	
5,947,515	A	9/1999	Fitch	
5,950,627	A	9/1999	Bologovsky et al.	
6,061,853	A *	5/2000	Laaksonen et al.	5/625
6,227,201	B1 *	5/2001	Ferko, III	128/869
6,526,983	B1	3/2003	Pizzi Spadoni	
6,857,143	B2 *	2/2005	McNulty	5/81.1 C
6,871,368	B2 *	3/2005	Calkin	5/628
7,017,209	B1 *	3/2006	De Jong et al.	5/601

7,165,278	B2 *	1/2007	Tomcany et al.	5/628
7,337,484	B2 *	3/2008	Cox	5/625
7,360,543	B1	4/2008	Coleman et al.	
7,428,762	B1 *	9/2008	Kalies	5/627
7,726,668	B2	6/2010	Sieb et al.	
7,748,062	B2 *	7/2010	McNulty	5/81.1 C
7,810,820	B2	10/2010	Wolf et al.	
2002/0149253	A1	10/2002	MacDonald	

* cited by examiner

Primary Examiner — Ian Simmons

Assistant Examiner — Charles Hanson

(74) *Attorney, Agent, or Firm* — Hasse & Nesbitt LLC;
Daniel F. Nesbitt

(57) **CLAIM**

I claim the ornamental design for a rapid extrication device, as shown and described.

DESCRIPTION

FIG. 1 shows a perspective view of a rapid extrication device of the present invention.

FIG. 2 shows a front elevation view of the rapid extrication device of FIG. 1.

FIG. 3 shows a right side elevation view of the rapid extrication device of FIG. 1.

FIG. 4 shows a rear elevation view of the rapid extrication device of FIG. 1.

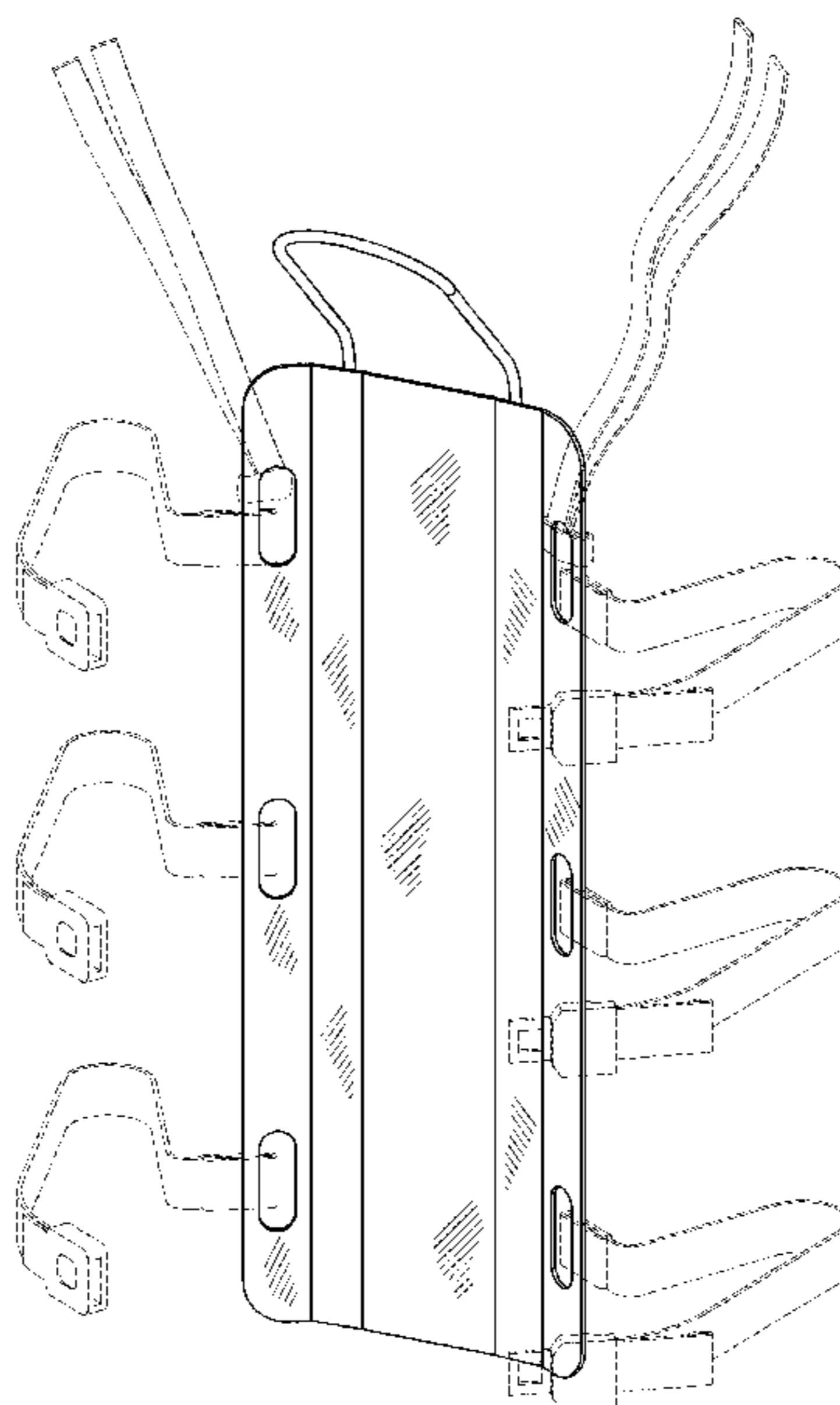
FIG. 5 shows a left side elevation view of the rapid extrication device of FIG. 1.

FIG. 6 shows a bottom view of the rapid extrication device of FIG. 1; and,

FIG. 7 shows a top view of the rapid extrication device of FIG. 1.

The broken lines in the drawings illustrate unclaimed portions of the rapid extrication device and form no part of the claimed design.

1 Claim, 6 Drawing Sheets



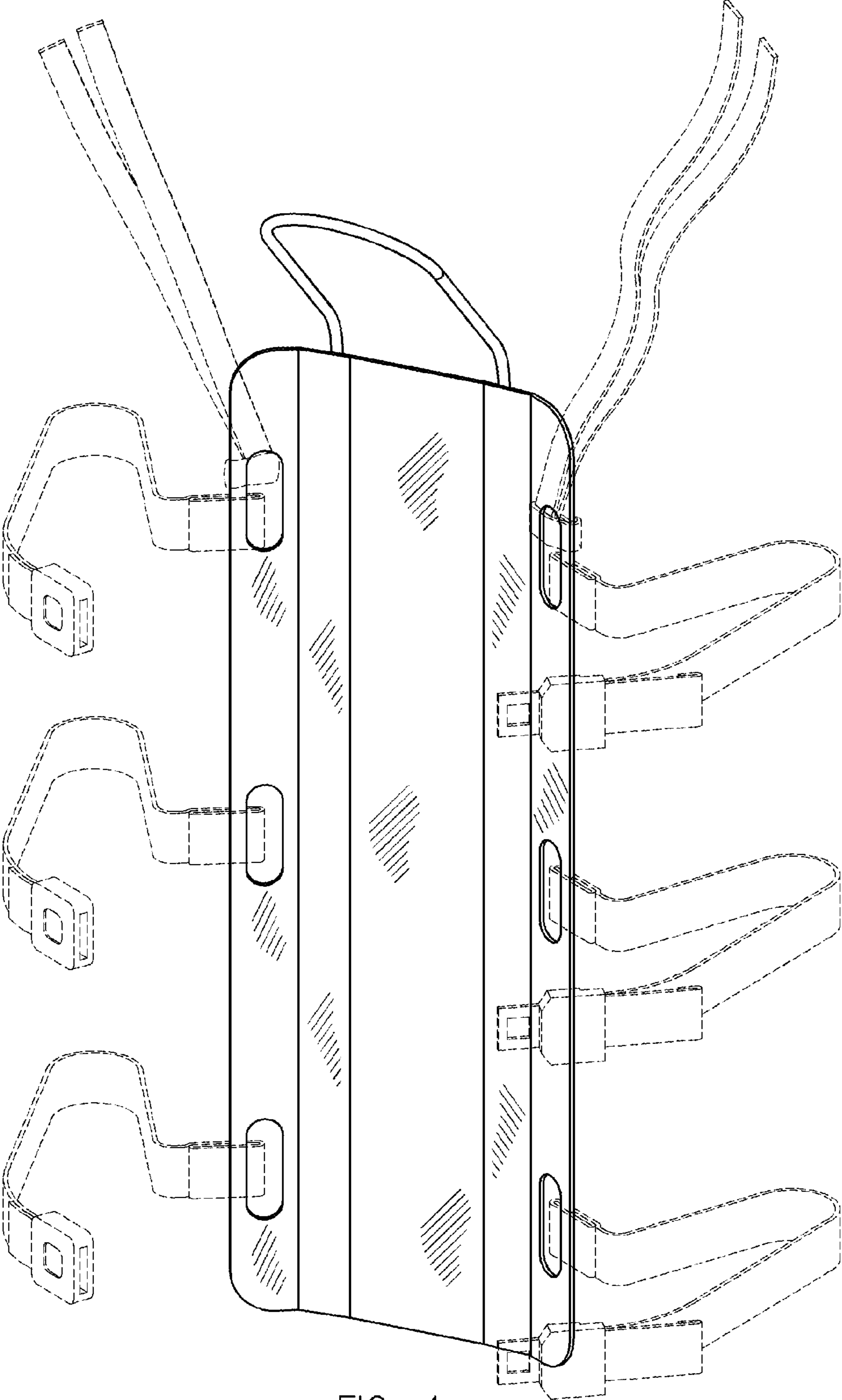


FIG. 1

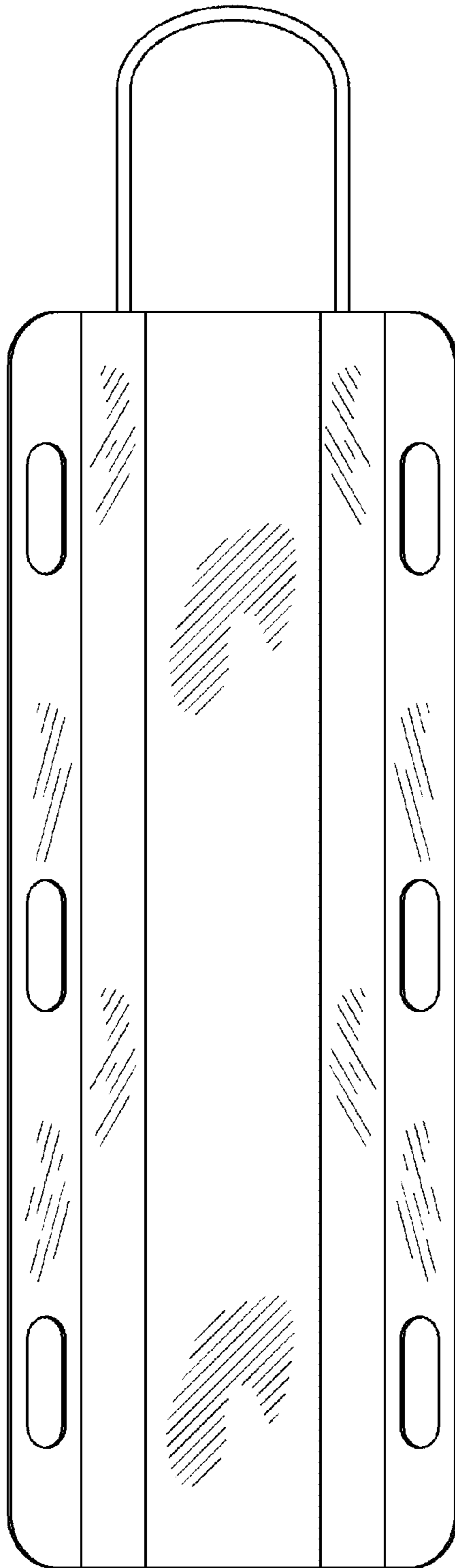


FIG. 2

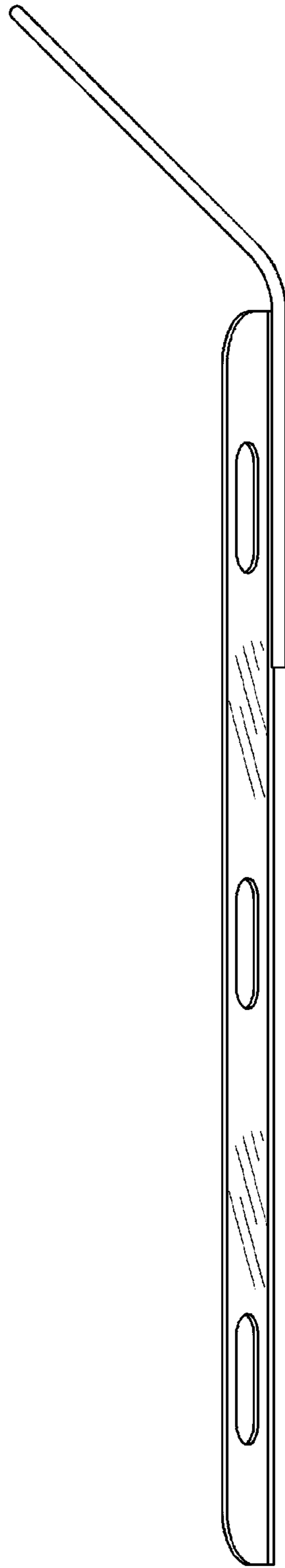


FIG. 3

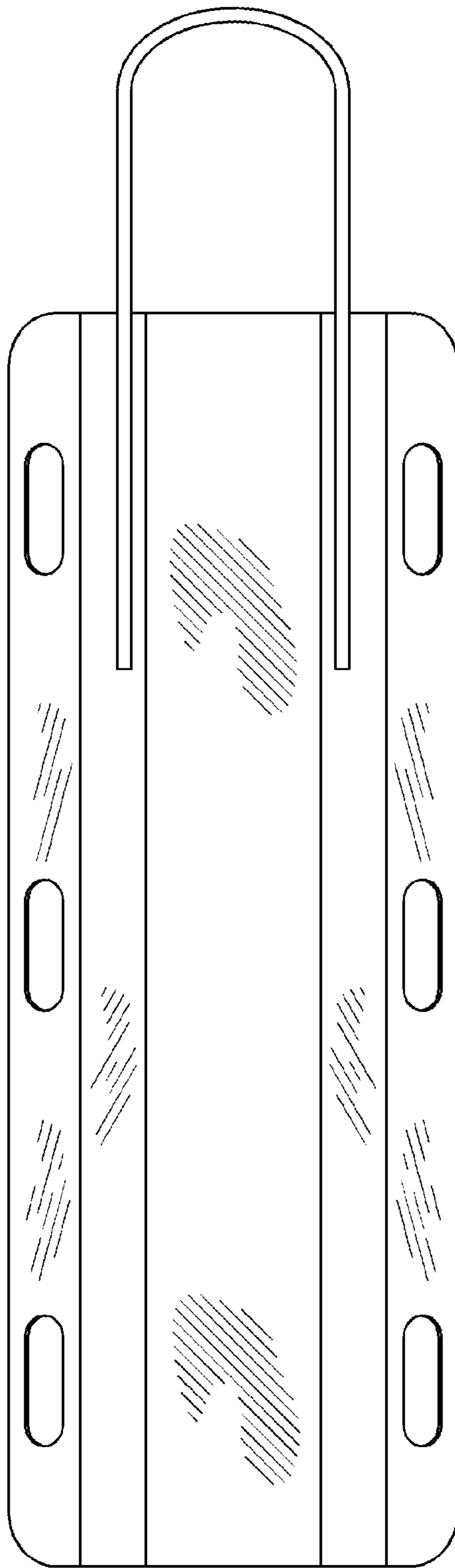


FIG. 4

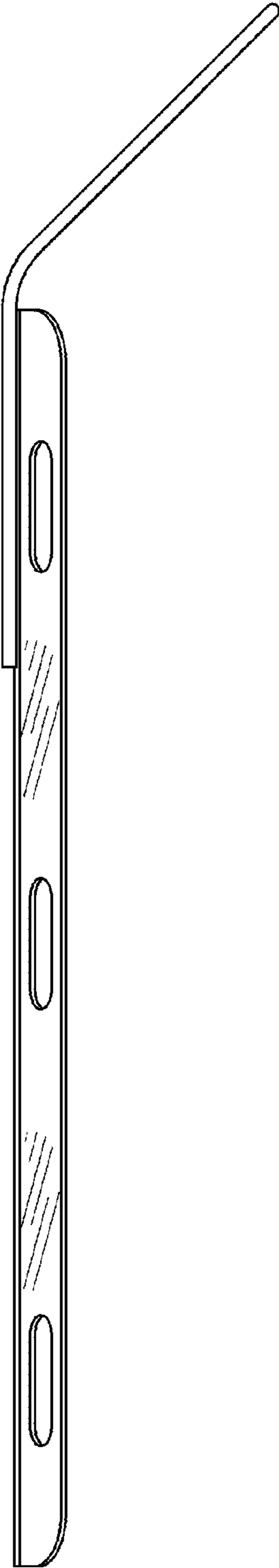


FIG. 5

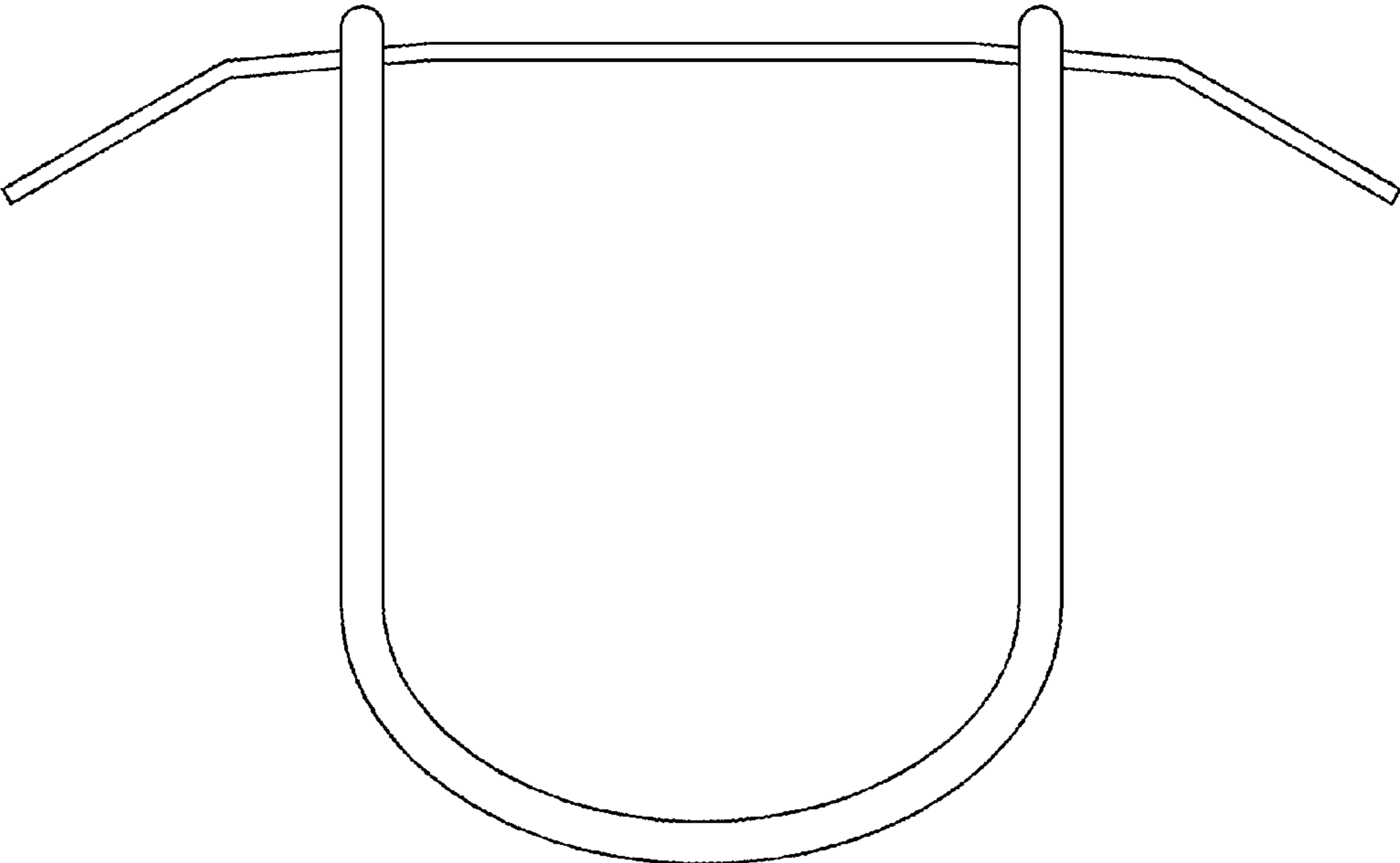


FIG. 7

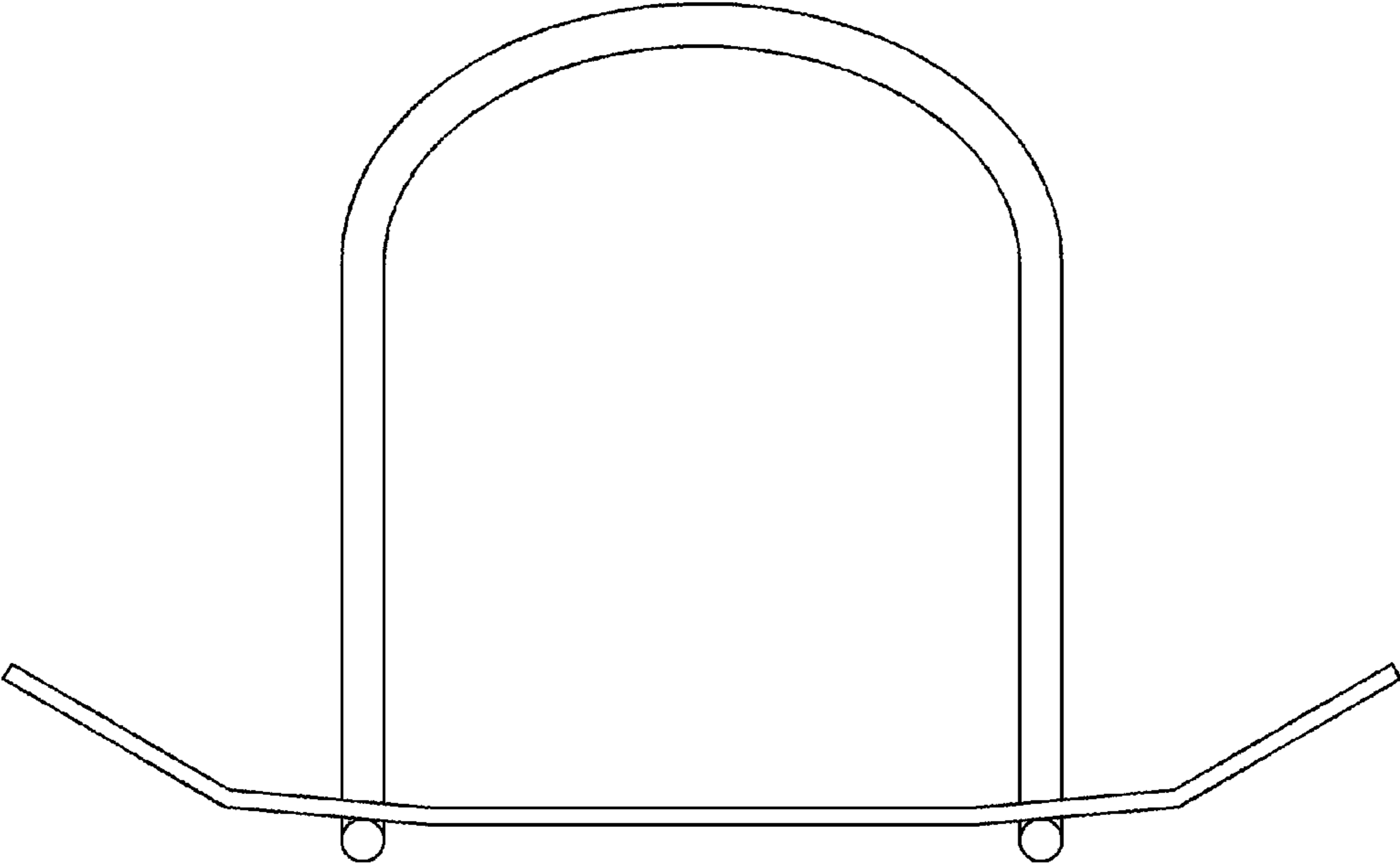


FIG. 6