



US00D693740S

(12) **United States Design Patent**
Eagleman et al.

(10) **Patent No.:** **US D693,740 S**

(45) **Date of Patent:** **** Nov. 19, 2013**

(54) **BICYCLE FRAME**

(71) Applicants: **Erik Eagleman**, Freiburg (DE); **Peter Denk**, Freiburg (DE)

(72) Inventors: **Erik Eagleman**, Freiburg (DE); **Peter Denk**, Freiburg (DE)

(73) Assignee: **Cycling Sports Group, Inc.**, Bethel, CT (US)

(**) Term: **14 Years**

(21) Appl. No.: **29/456,825**

(22) Filed: **Jun. 4, 2013**

Related U.S. Application Data

(62) Division of application No. 29/452,140, filed on Apr. 12, 2013.

(51) **LOC (9) Cl.** **12-11**

(52) **U.S. Cl.**
USPC **D12/111**

(58) **Field of Classification Search**
USPC D12/111, 117, 119; 280/274–280,
280/281.1, 283–288, 288.1–288.4
See application file for complete search history.

(56) **References Cited**

U.S. PATENT DOCUMENTS

3,860,265	A *	1/1975	Weiss	280/281.1
4,067,589	A *	1/1978	Hon	280/278
5,072,961	A *	12/1991	Huppe	280/278
D343,147	S *	1/1994	Cognata et al.	D12/111
5,478,100	A *	12/1995	McDermitt et al.	280/281.1
D368,679	S *	4/1996	Dietz et al.	D12/111
D510,059	S *	9/2005	Hickman	D12/117

D517,452	S *	3/2006	Hickman	D12/111
7,562,890	B2 *	7/2009	Yu	280/288.3
7,651,110	B2 *	1/2010	Davis et al.	280/281.1
7,793,959	B2 *	9/2010	Vandermark	280/281.1
D682,744	S *	5/2013	Horne	D12/111
D683,661	S *	6/2013	Horne	D12/111

OTHER PUBLICATIONS

Bicycle Design “A New Aston Martin and an Old Lotus Bike” <http://bicycledesign.net/2012/08/a-new-aston-martin-and-an-old-lotus-bike/>. Captured Jun. 4, 2013.

(Continued)

Primary Examiner — Susan M Lee

Assistant Examiner — Linda Brooks

(74) *Attorney, Agent, or Firm* — Cantor Colburn LLP

(57) **CLAIM**

The ornamental design for a bicycle frame, as shown and described.

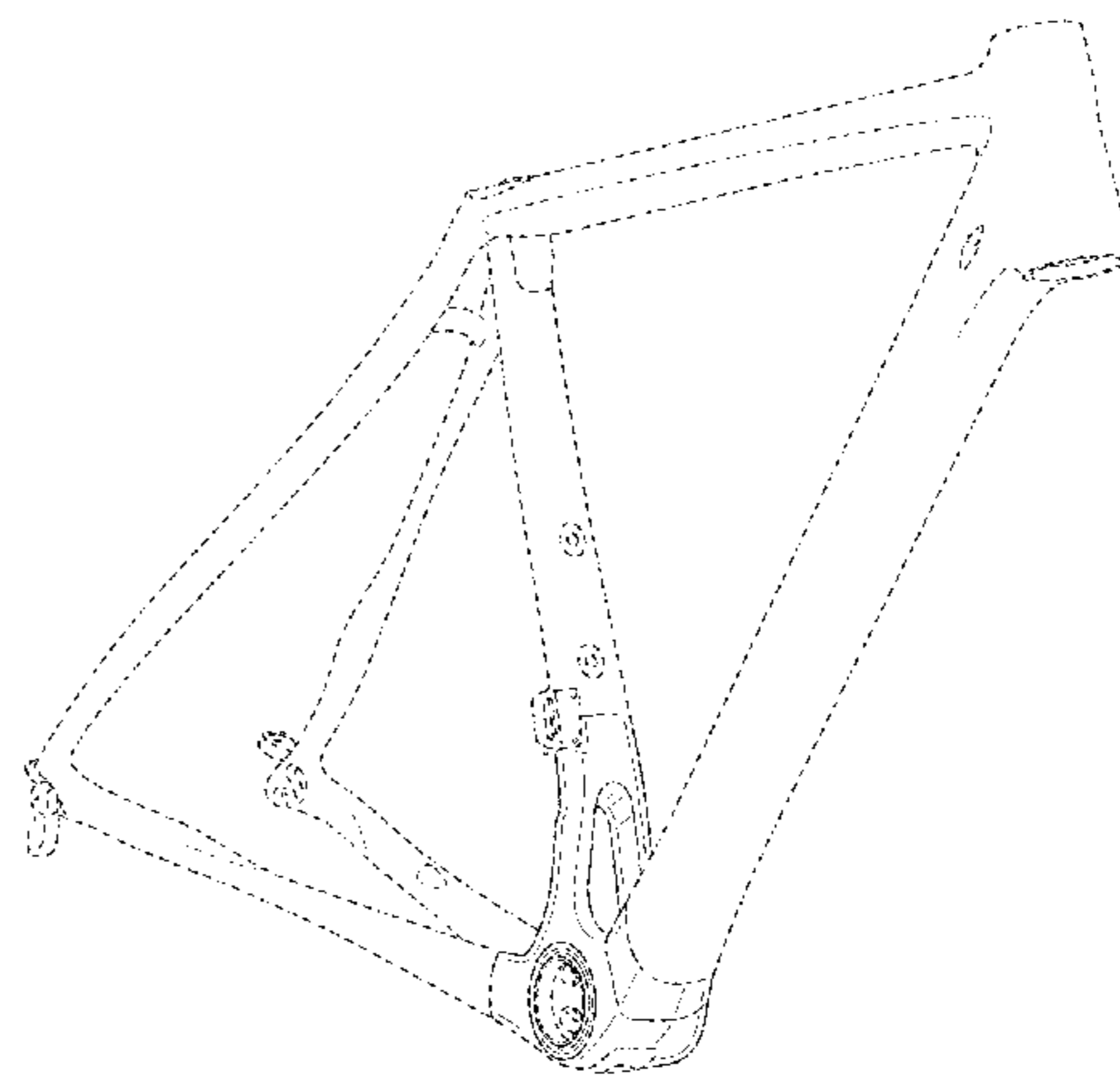
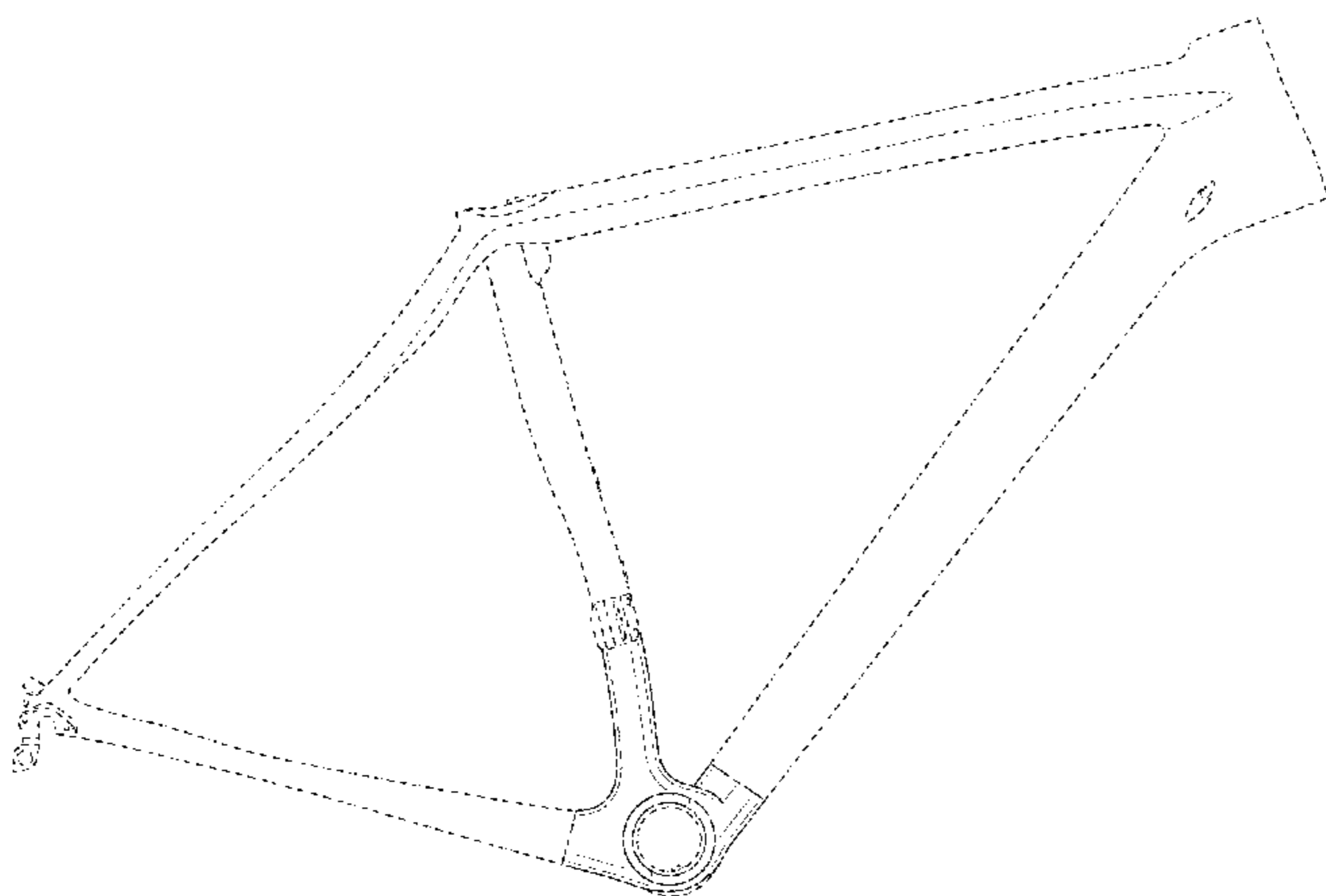
DESCRIPTION

FIG. 1 is a first side view of the invention;
FIG. 2 is a second side view of the embodiment of FIG. 1;
FIG. 3 is a top view of the embodiment of FIG. 1;
FIG. 4 is a bottom view of the embodiment of FIG. 1;
FIG. 5 is a front view of the embodiment of FIG. 1;
FIG. 6 is a rear view of the embodiment of FIG. 1;
FIG. 7 is a front perspective view of the embodiment of FIG. 1; and,
FIG. 8 is a rear perspective view of the embodiment of FIG. 1.

The portions shown in broken line in FIGS. 1-8 form no part of the claimed design.

The surface treatment of the bicycle frame forms no part of the claimed design, a bicycle frame according to the claimed design may have any surface treatment.

1 Claim, 6 Drawing Sheets



(56)

References Cited

OTHER PUBLICATIONS

<http://i637.photobucket.com/albums/uu99/bluedigga/RoryOBrien01.jpg> (Captured Jun. 4, 2013).

The Bicycle Story: "Seattle Bike Expo 2011" <http://www.thebicyclestory.com/2011/03/seattle-bike-expo-2011> (Captured Jun. 4, 2013).

Classic Rendezvous "Charles Roberts" http://classicrendezvous.com/British_isles/Roberts_Chas/Chas_Roberts_home.htm (captured Jun. 4, 2013).

M. Embacher "Cyclopedia: A Century of Iconic Bicycle Design" (C) 2011, ISBN 978-1-4521-0167-5 (5 pp).

<http://static.lfgss.com/attachments/5015d1232703815-7869-big.jpg> (1 page photo) Captured Jun. 4, 2013.

http://www.classicrendezvous.com/British_isles/Roberts_Chas/chas_roberts_TT.htm (10 photos) Captured Jun. 4, 2013.

* cited by examiner

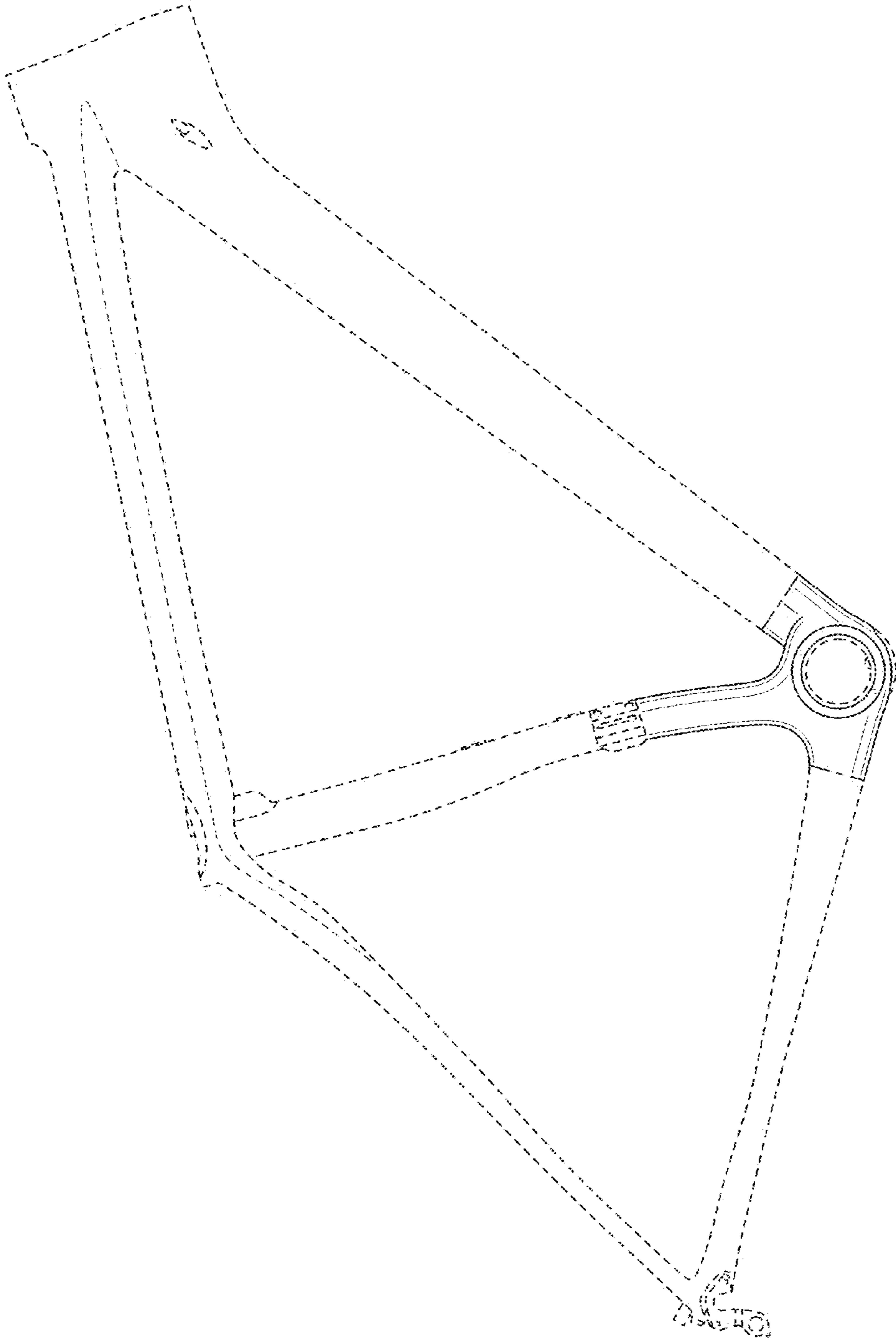


FIG. 1

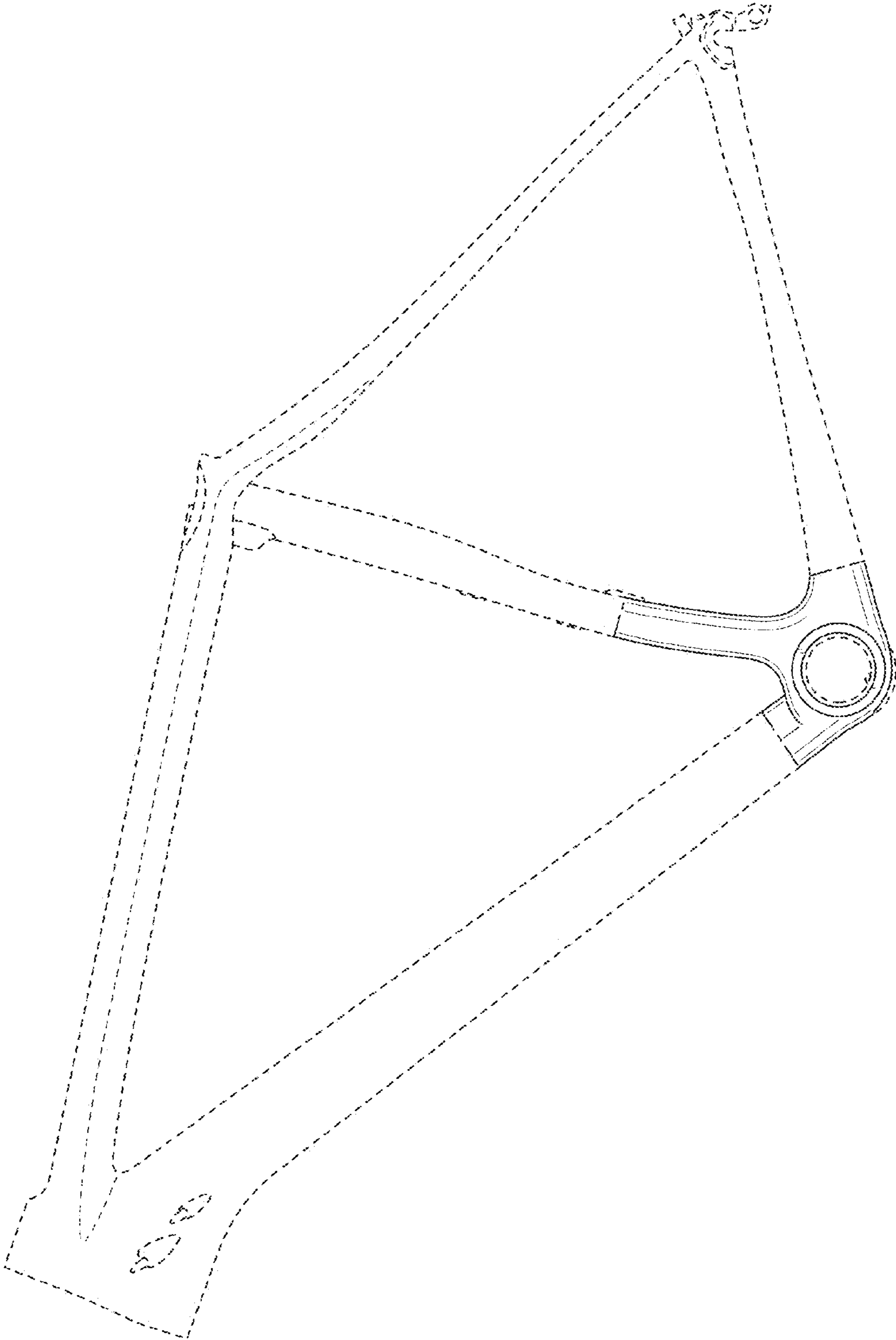


FIG. 2

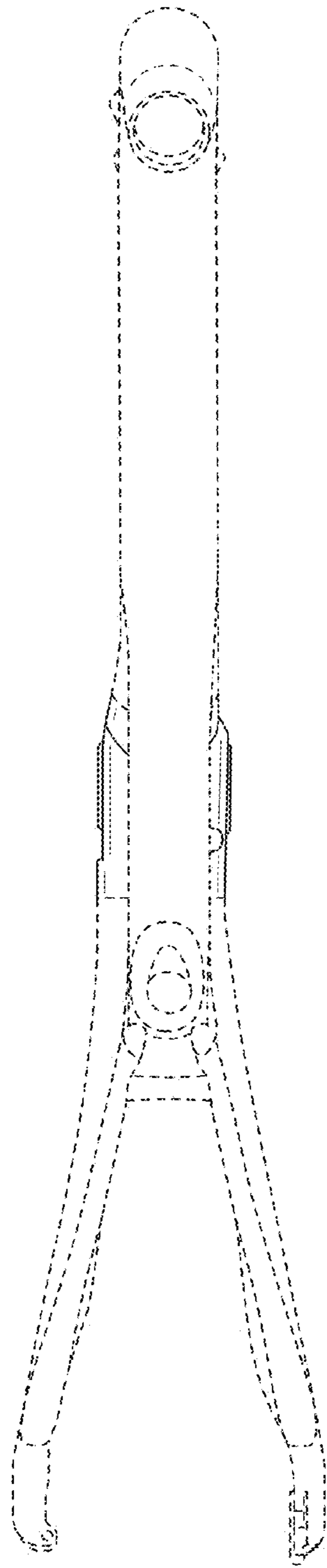


FIG. 3

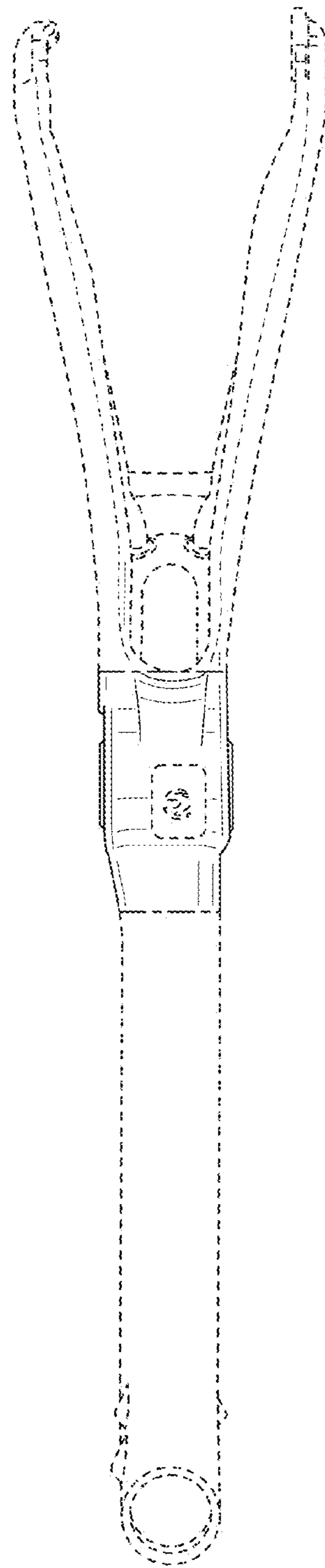


FIG. 4

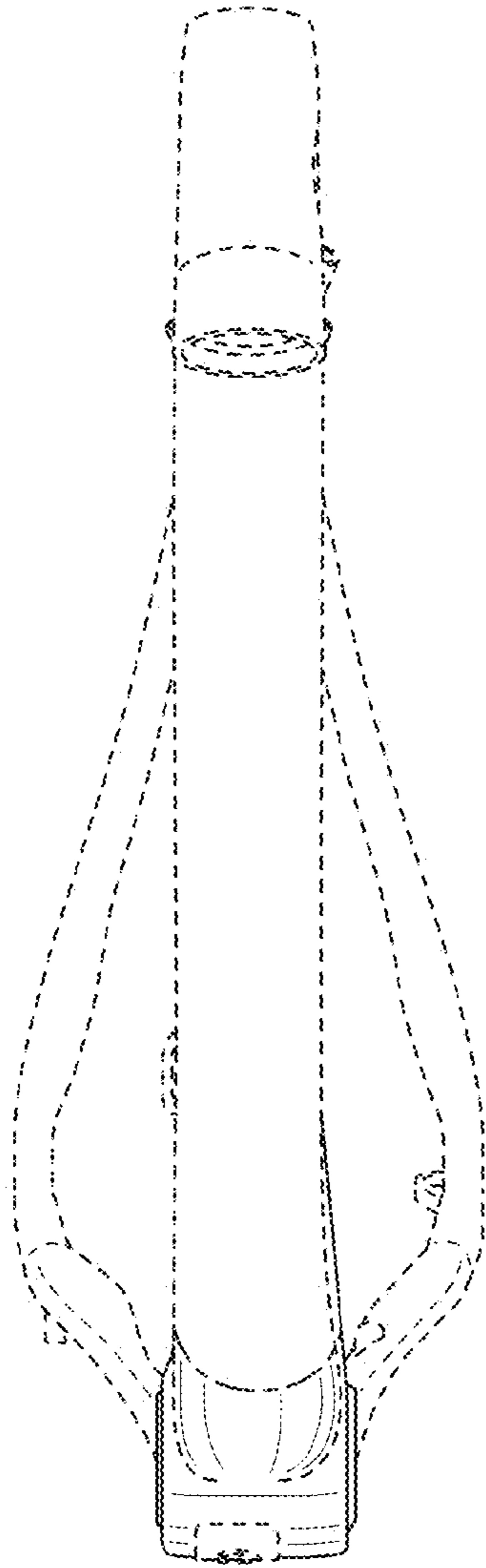


FIG. 5

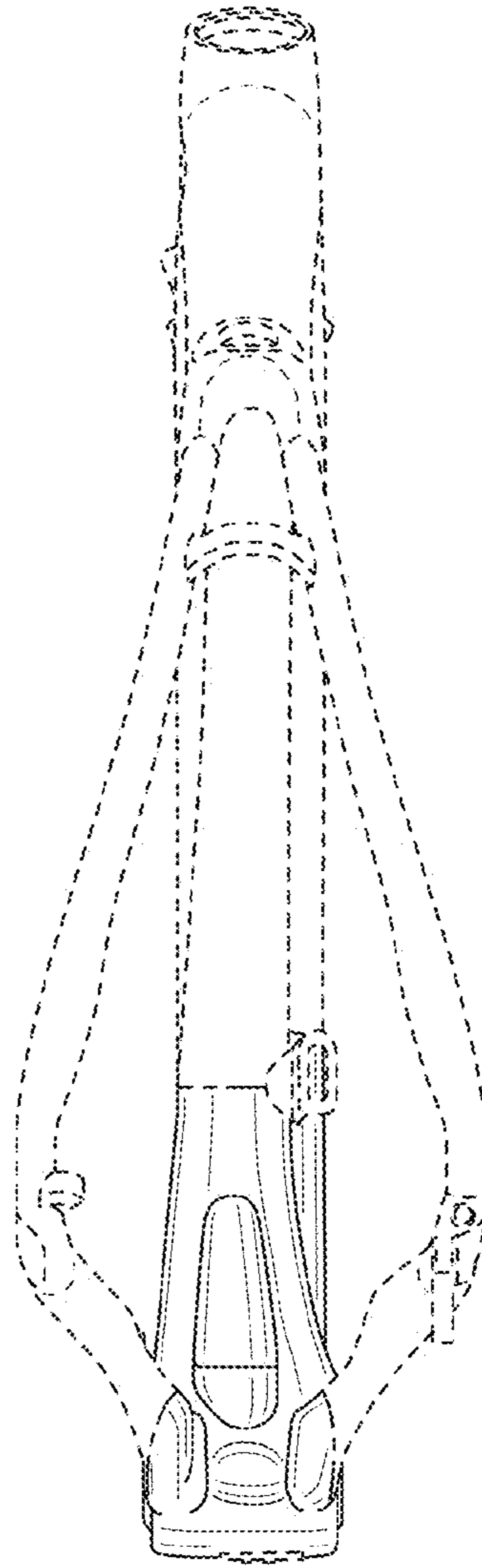


FIG. 6

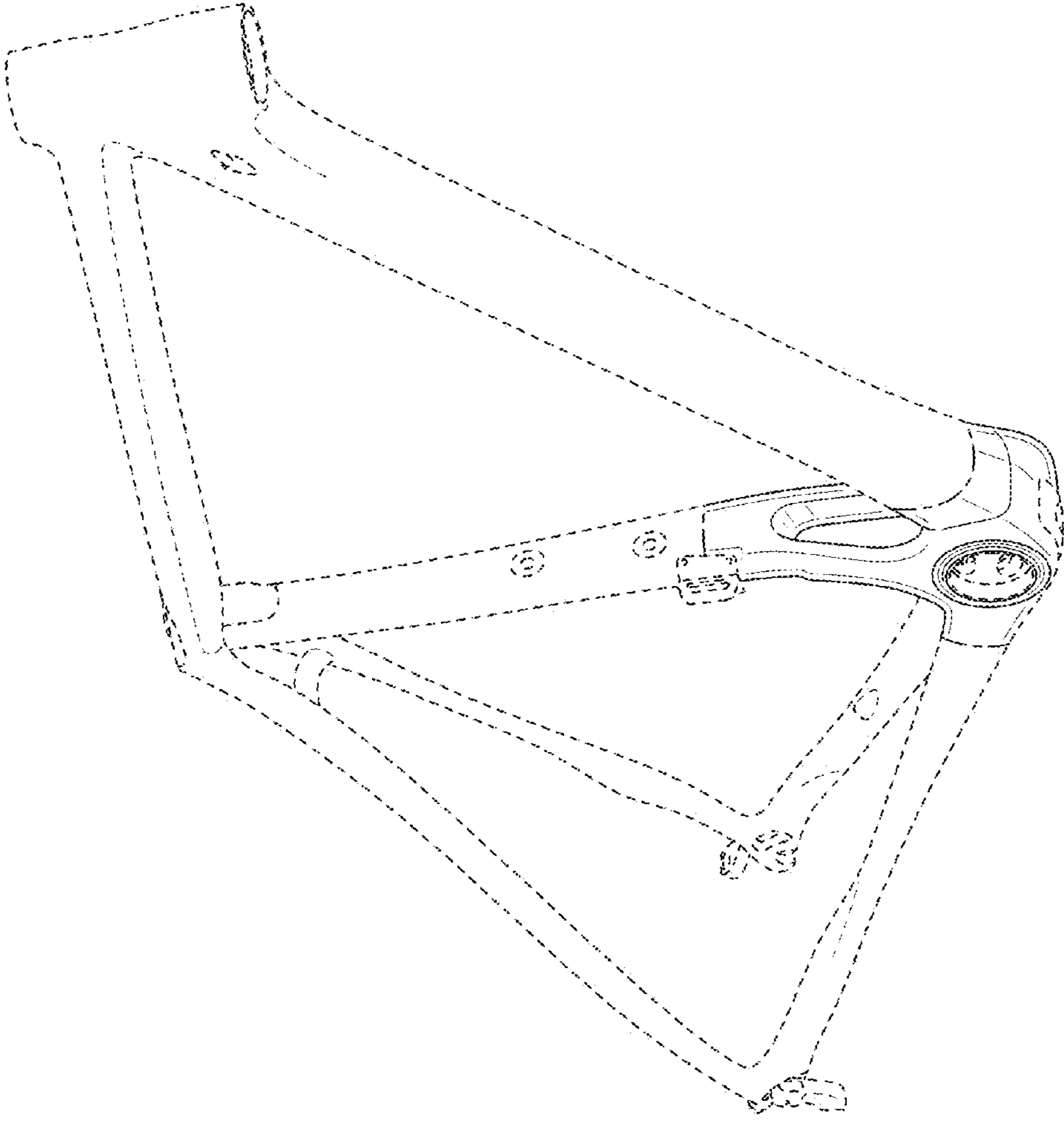


FIG. 7

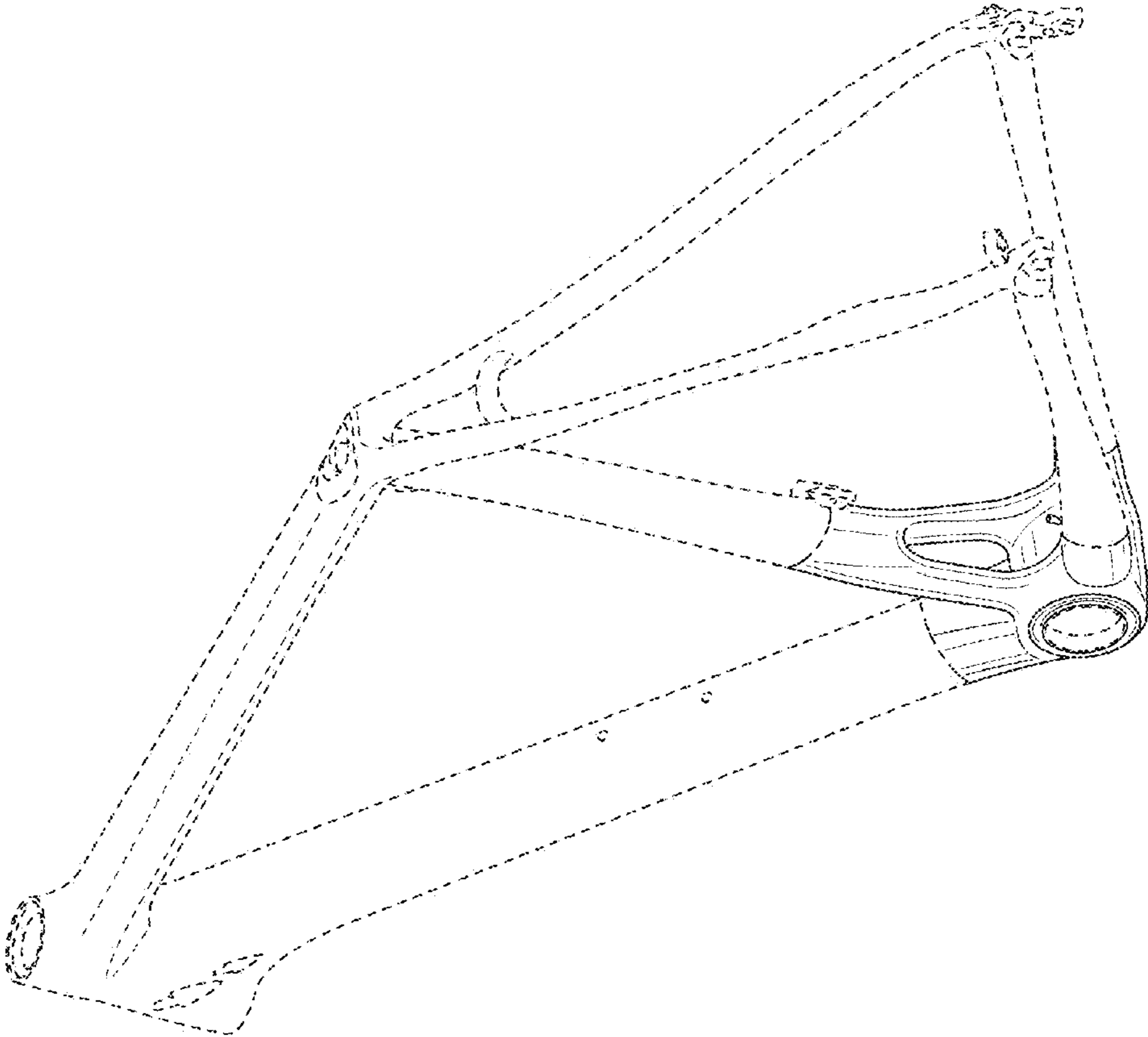


FIG. 8