



US00D693734S

(12) **United States Design Patent**  
**Kao**

(10) **Patent No.:** **US D693,734 S**  
(45) **Date of Patent:** **\*\* Nov. 19, 2013**

(54) **BUCKLE**

(56) **References Cited**

(71) Applicant: **Duraflex Hong Kong Limited**, Hong Kong (CN)

U.S. PATENT DOCUMENTS

(72) Inventor: **Tien-Chih Kao**, Taipei (TW)

D646,996 S \* 10/2011 Kawaguchi ..... D11/216  
D657,286 S \* 4/2012 Lo ..... D11/216  
D668,178 S \* 10/2012 Kao ..... D11/216  
8,365,368 B2 \* 2/2013 Kaneko et al. .... 24/625

(73) Assignee: **Duraflex Hong Kong Limited**, Hong Kong (CN)

\* cited by examiner

(\*\*) Term: **14 Years**

*Primary Examiner* — Ralf Seifert

(21) Appl. No.: **29/460,372**

(74) *Attorney, Agent, or Firm* — Morris Manning & Martin LLP; Tim Tingkang Xia, Esq.

(22) Filed: **Jul. 10, 2013**

(57) **CLAIM**

The ornamental design for a buckle, as shown and described.

**Related U.S. Application Data**

**DESCRIPTION**

(62) Division of application No. 29/425,277, filed on Jun. 21, 2012, now Pat. No. Des. 688,158.

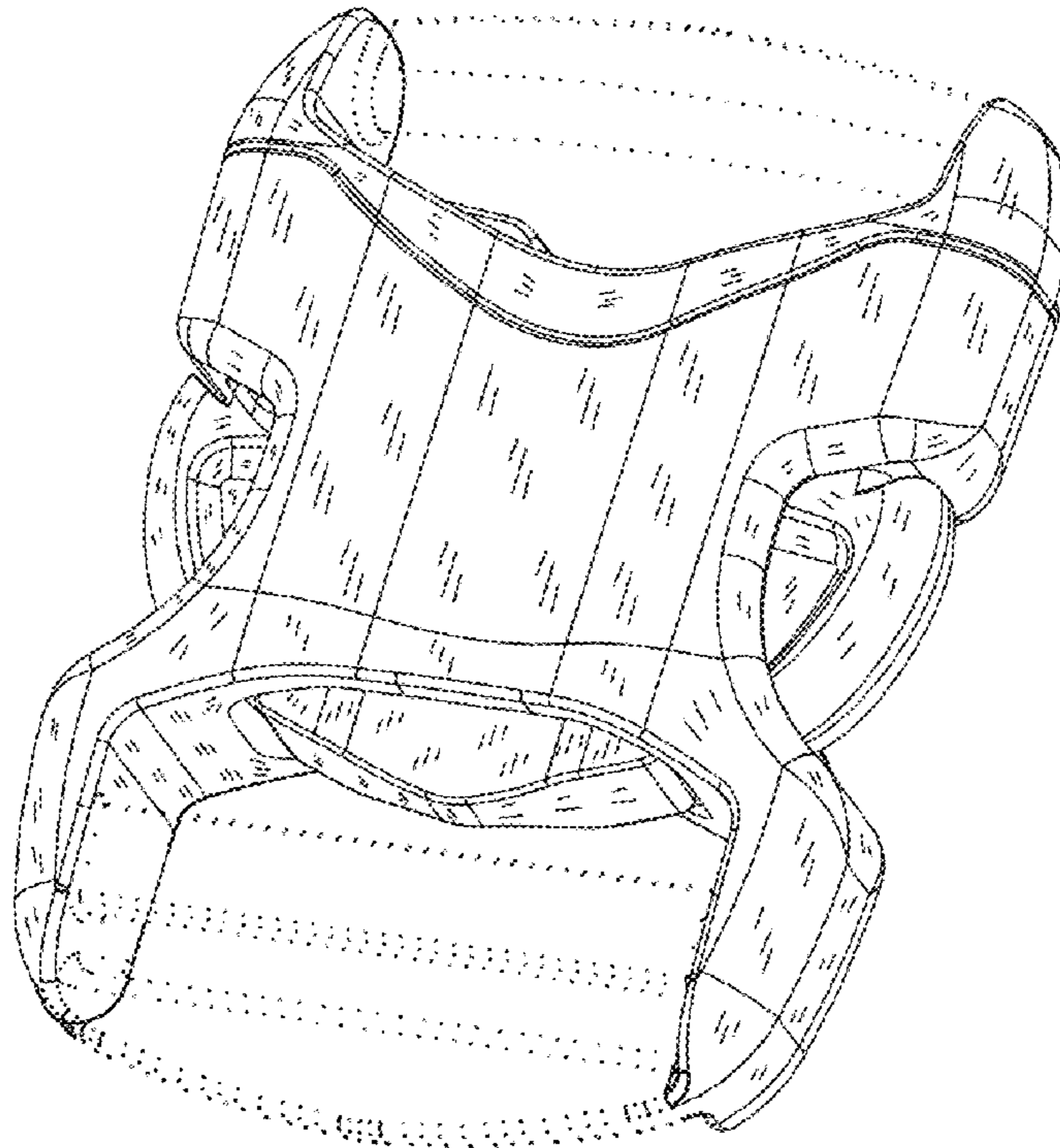
(51) **LOC (9) Cl.** ..... **02-07**

(52) **U.S. Cl.**  
USPC ..... **D11/216**

(58) **Field of Classification Search**  
USPC ..... D11/1-2, 200-201, 206-210, 214-218;  
24/163 R, 169-171, 173, 177-179, 191,  
24/194-195, 197, 200, 614-616, 625, 198  
See application file for complete search history.

FIG. 1 is a perspective view of a buckle of the design;  
FIG. 2 is a front view thereof;  
FIG. 3 is a back view thereof;  
FIG. 4 is a left view thereof;  
FIG. 5 is a right view thereof;  
FIG. 6 is a top view thereof; and,  
FIG. 7 is a bottom view thereof, wherein the broken lines in the drawings illustrate the environment elements of the buckle, and form no part of the claimed design.

**1 Claim, 3 Drawing Sheets**



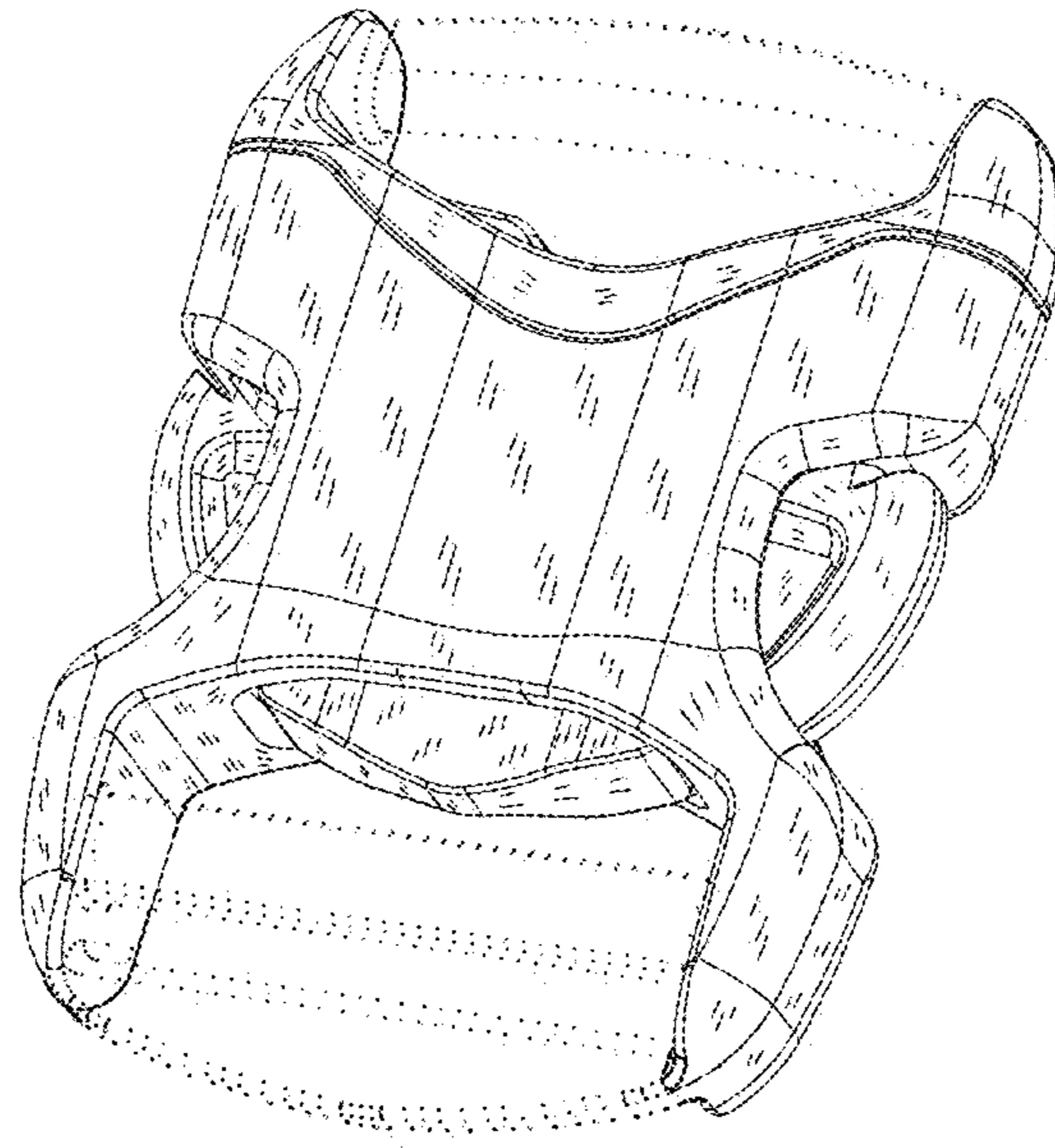


Fig. 1

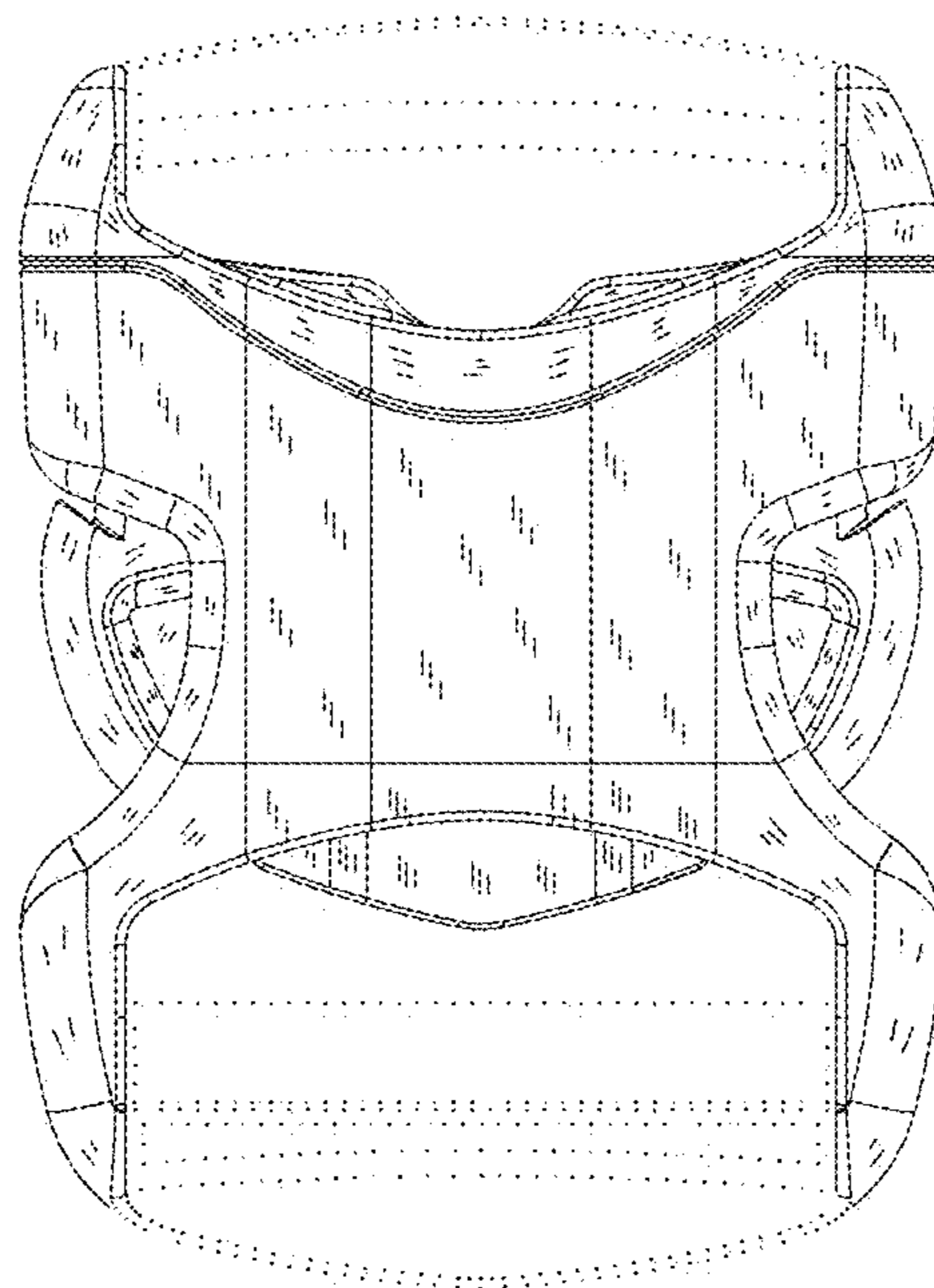


Fig. 2

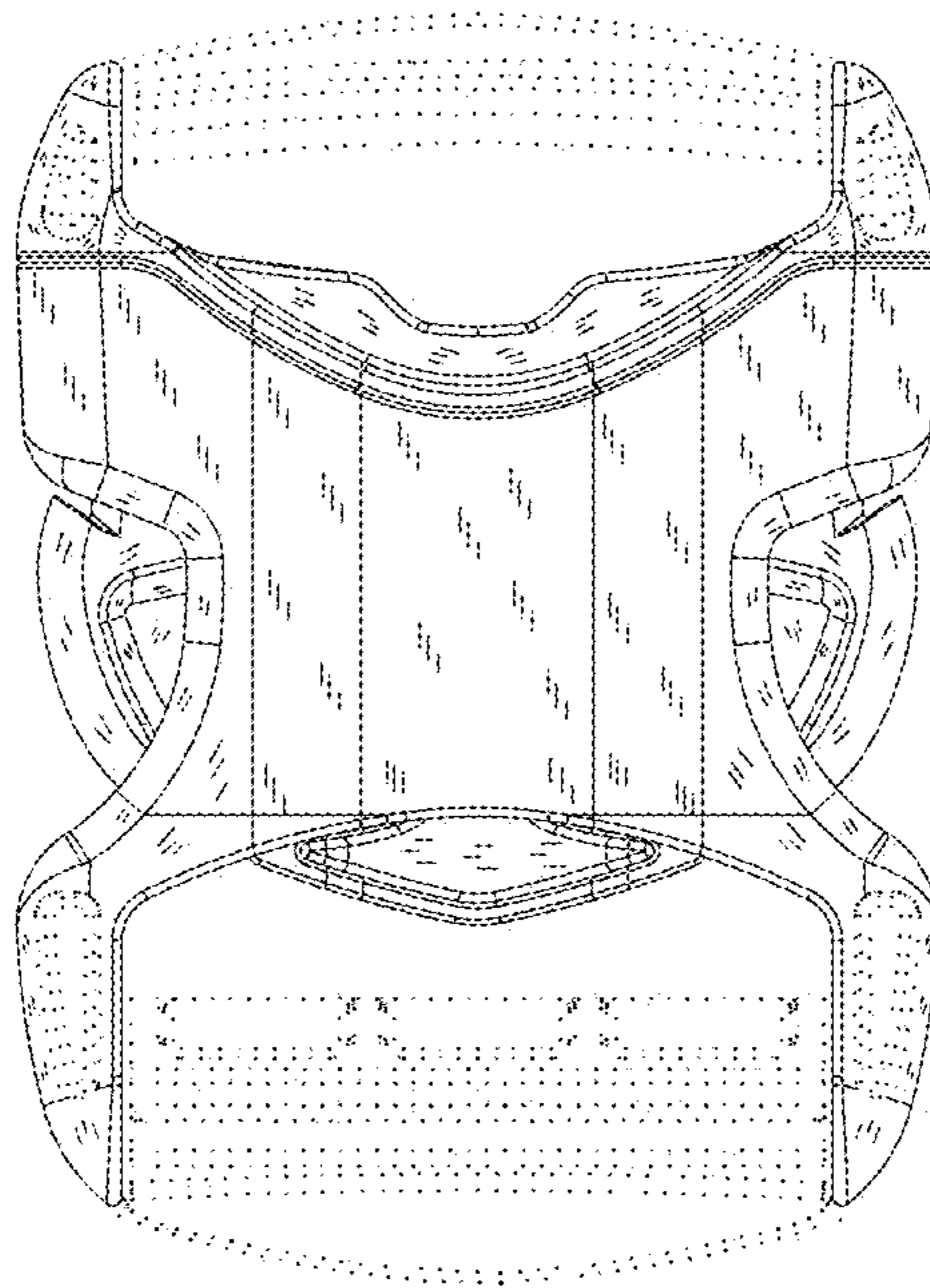


Fig. 3

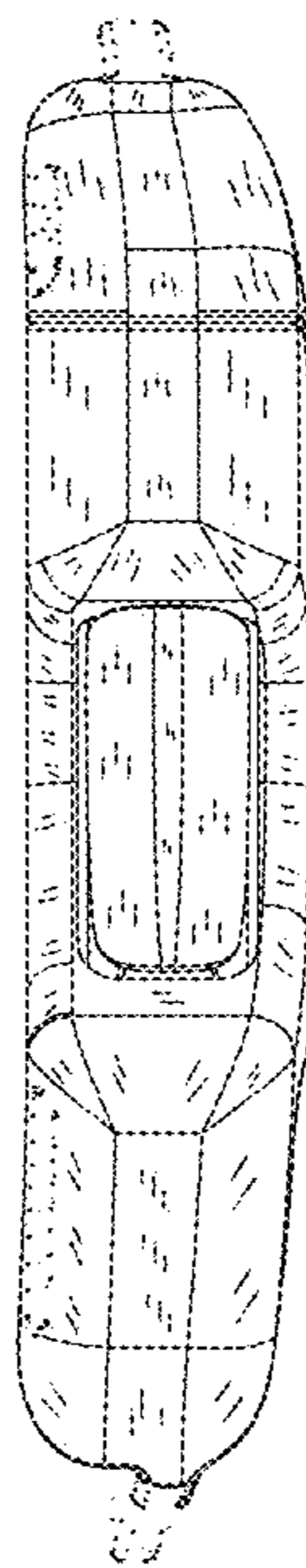


Fig. 4

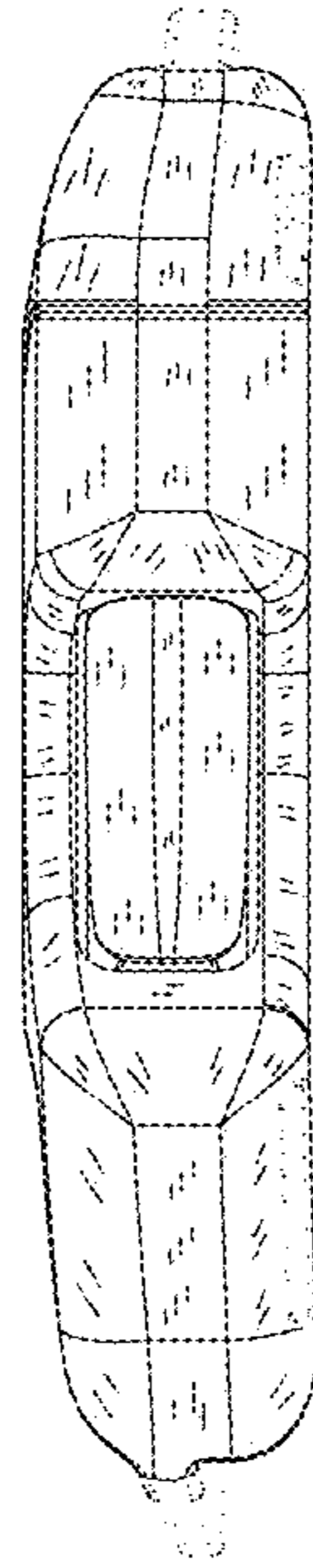


Fig. 5

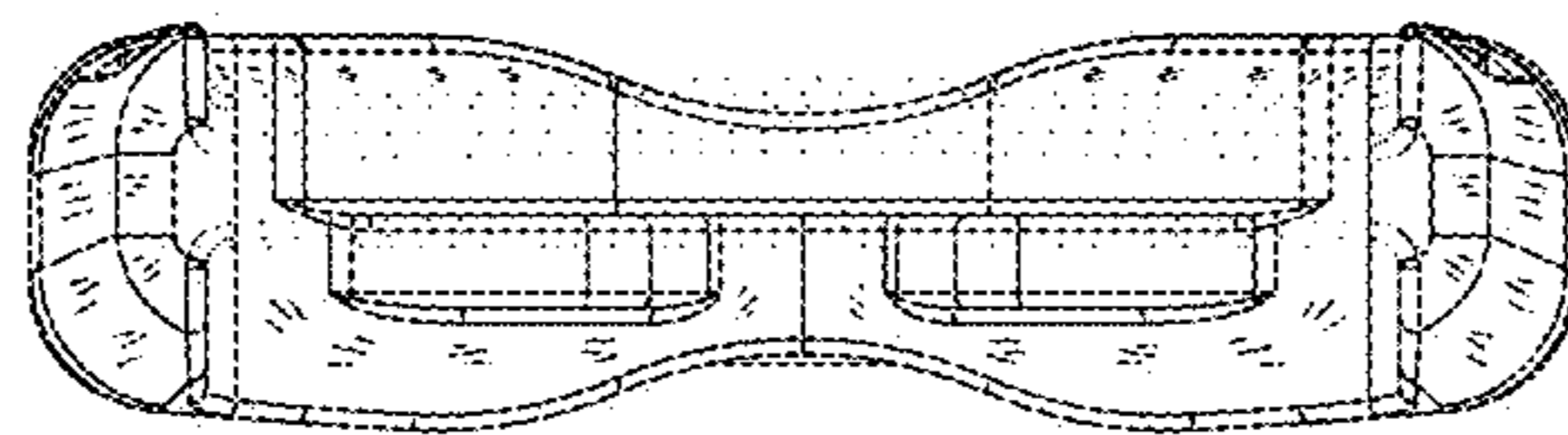


Fig. 6

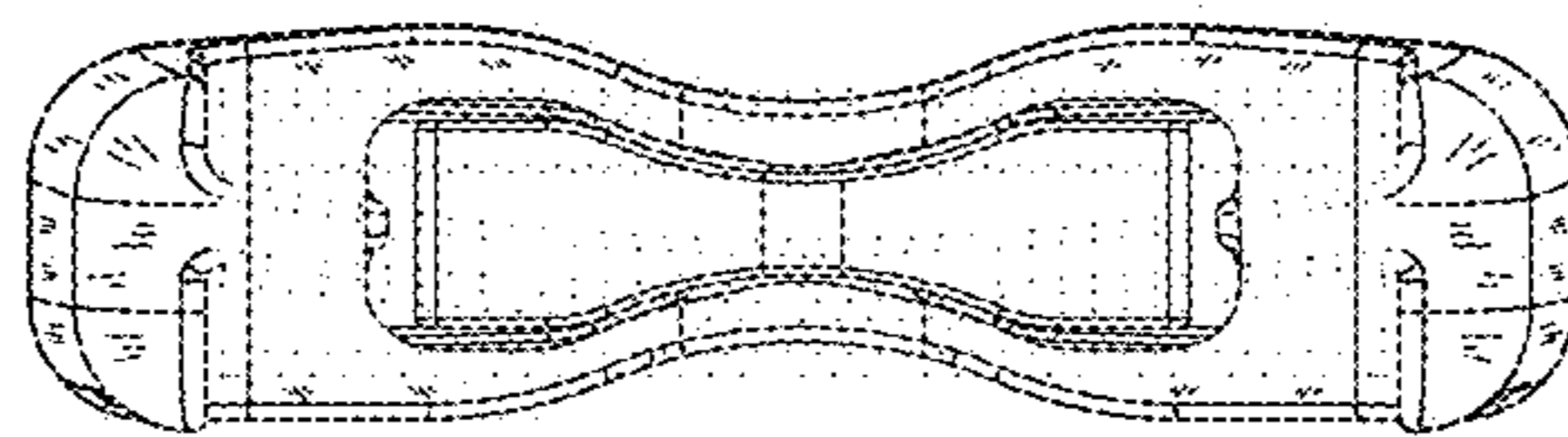


Fig. 7