



US00D693733S

(12) **United States Design Patent**
Fujii

(10) **Patent No.:** **US D693,733 S**
(45) **Date of Patent:** **** Nov. 19, 2013**

(54) **CLIP**
(71) Applicant: **Kazuki Fujii**, Aichi-ken (JP)
(72) Inventor: **Kazuki Fujii**, Aichi-ken (JP)

4,389,759 A * 6/1983 Yuda 24/614
D482,635 S * 11/2003 Tejima D11/87
D549,566 S * 8/2007 Kamiya D8/395
D625,587 S * 10/2010 Obuchi et al. D8/382
D658,974 S * 5/2012 Komeno D8/356

(73) Assignee: **Daiwa Kasei Kogyo Kabushiki Kaisha**,
Okazaki-shi, Aichi-ken (JP)
(**) Term: **14 Years**

FOREIGN PATENT DOCUMENTS

JP 1303197 5/2007
JP 1332479 5/2008
JP 1359892 4/2009

(21) Appl. No.: **29/438,821**
(22) Filed: **Dec. 4, 2012**

* cited by examiner

Primary Examiner — Ralf Seifert

(30) **Foreign Application Priority Data**

(74) *Attorney, Agent, or Firm* — Ladas & Parry LLP

Jun. 4, 2012 (JP) 2012-013154

(57) **CLAIM**

The ornamental design for a clip, as shown and described.

(51) **LOC (9) Cl.** **02-07**

DESCRIPTION

(52) **U.S. Cl.**
USPC **D11/200**

(58) **Field of Classification Search**
USPC D11/1-2, 200-201, 206-210, 214-218;
24/163 R, 169-171, 173, 177-179, 191,
24/194-195, 197, 200, 614-616, 625;
D8/356, 395

FIG. 1 is a perspective view viewed from top side of a clip showing our new design;
FIG. 2 is a perspective view viewed from bottom side thereof;
FIG. 3 is a front elevation view thereof;
FIG. 4 is a right side elevation view thereof;
FIG. 5 is a top plan view thereof;
FIG. 6 is a bottom plan view thereof;
FIG. 7 is a sectional view taken along line VII-VII in FIG. 4;
FIG. 8 is a sectional view taken along line VIII-VIII in FIG. 3;
and,
FIG. 9 is a reference view showing the state of use.
The broken lines shown in the drawings represent unclaimed portions of the clip and form no part of the claimed design.

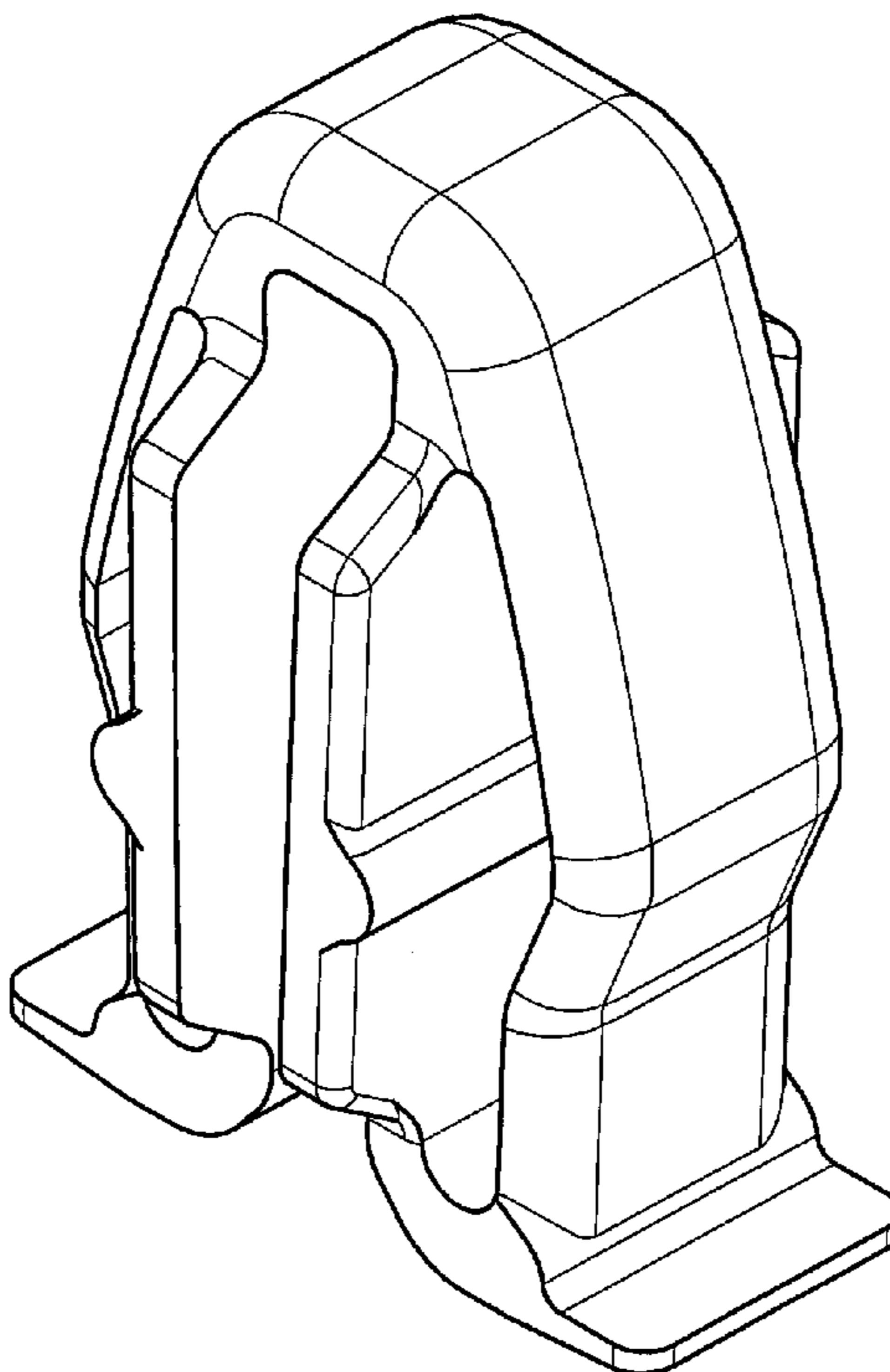
See application file for complete search history.

(56) **References Cited**

U.S. PATENT DOCUMENTS

3,345,706 A * 10/1967 Stokes 403/397
3,577,608 A * 5/1971 Texler 24/594.11

1 Claim, 7 Drawing Sheets



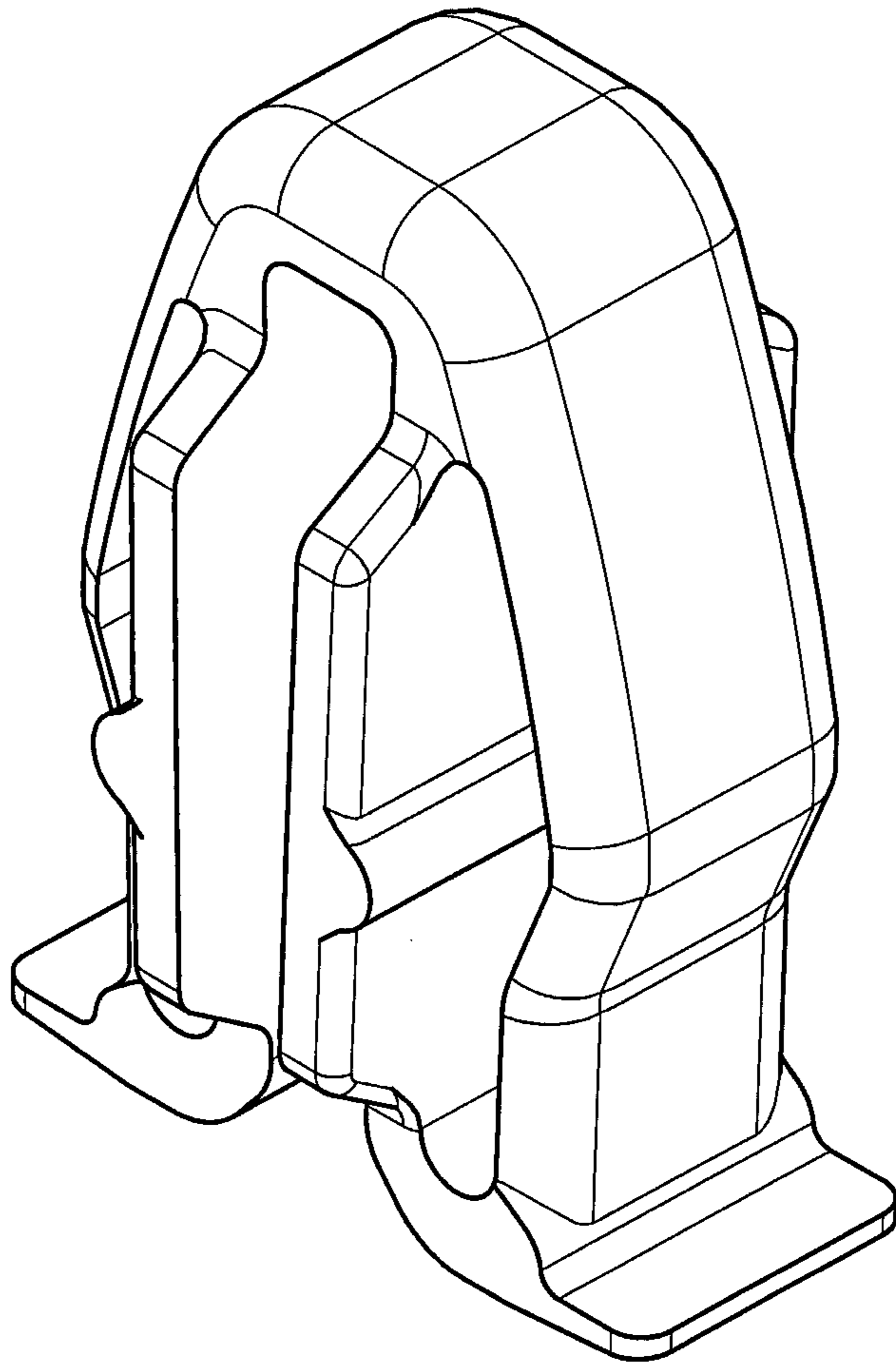


FIG. 1

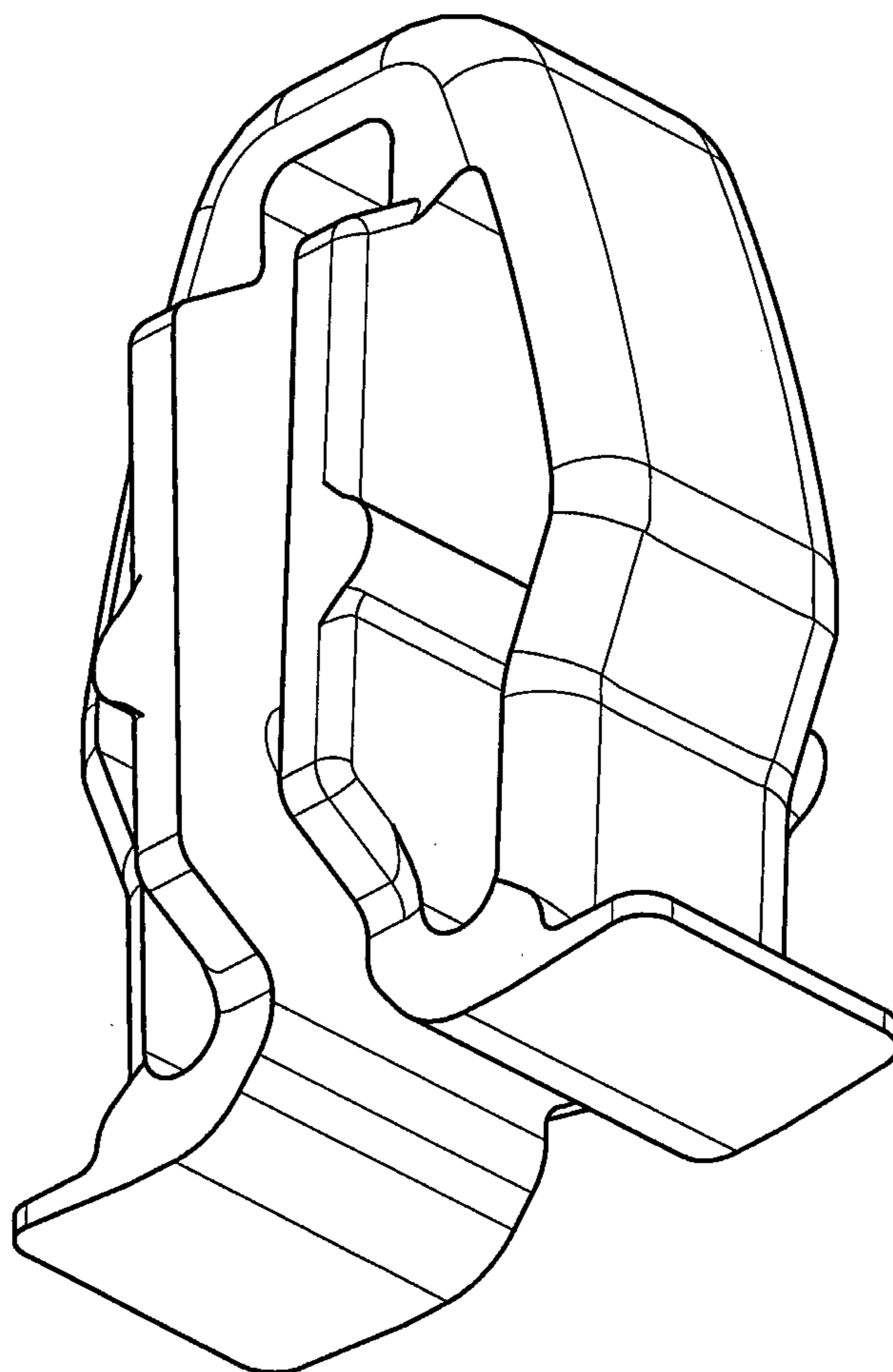


FIG. 2

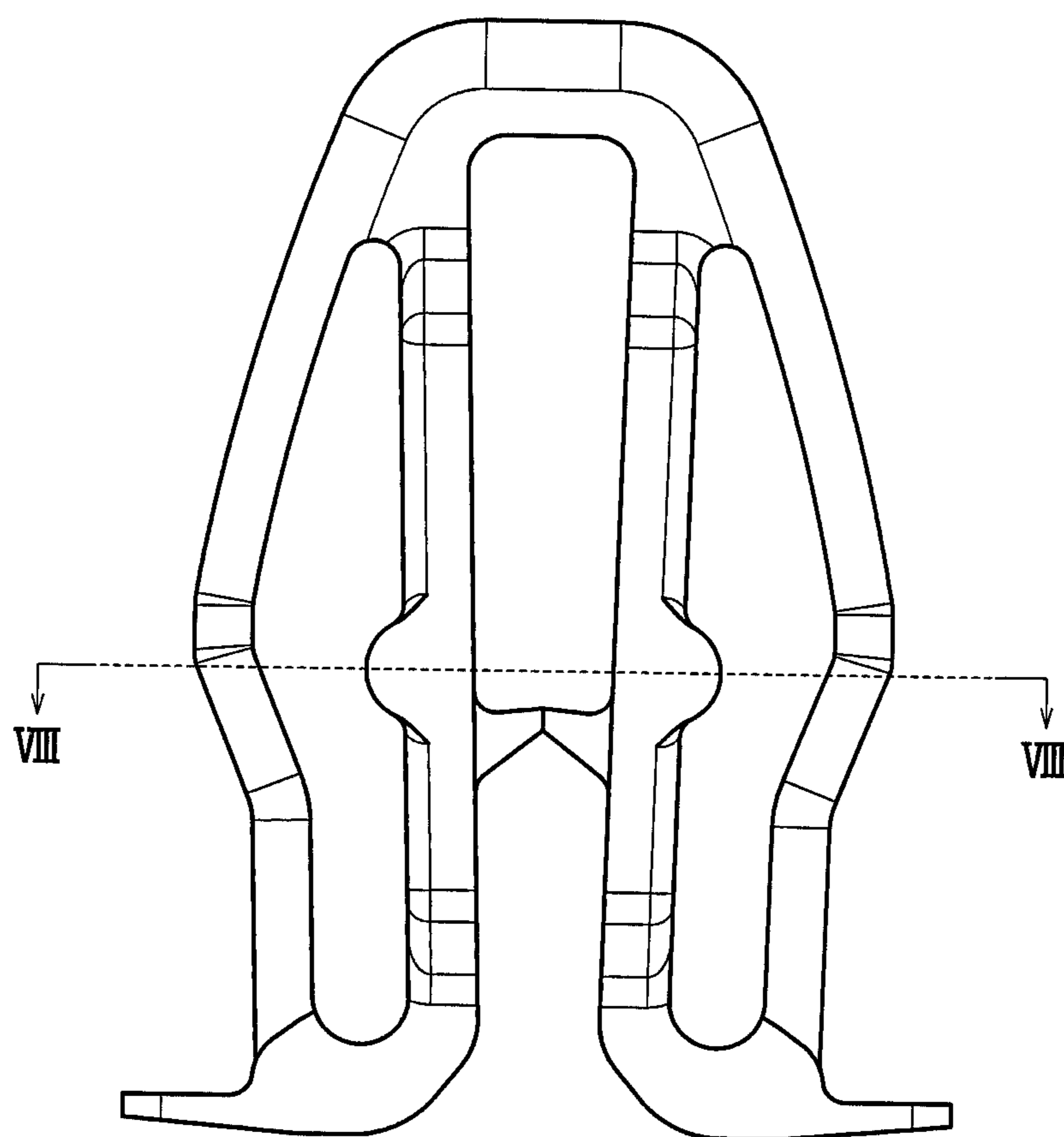


FIG. 3

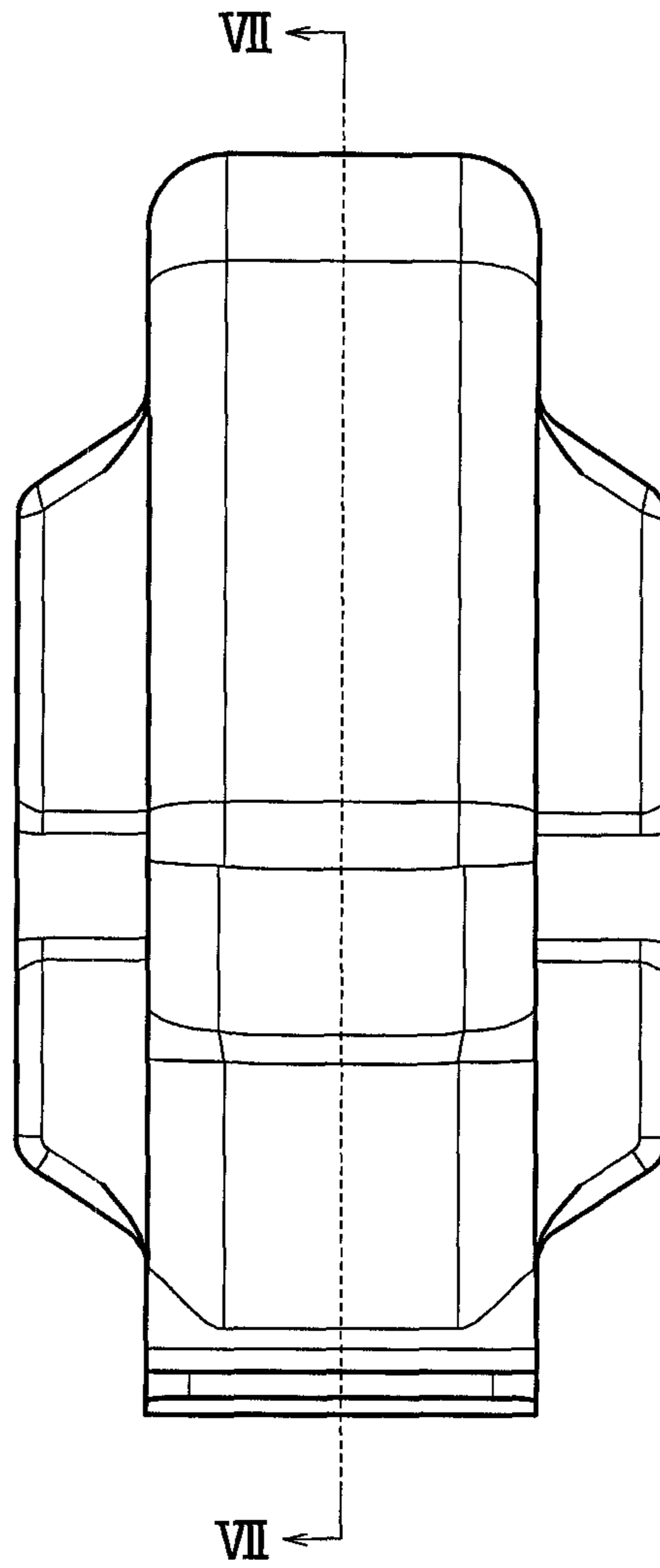


FIG. 4

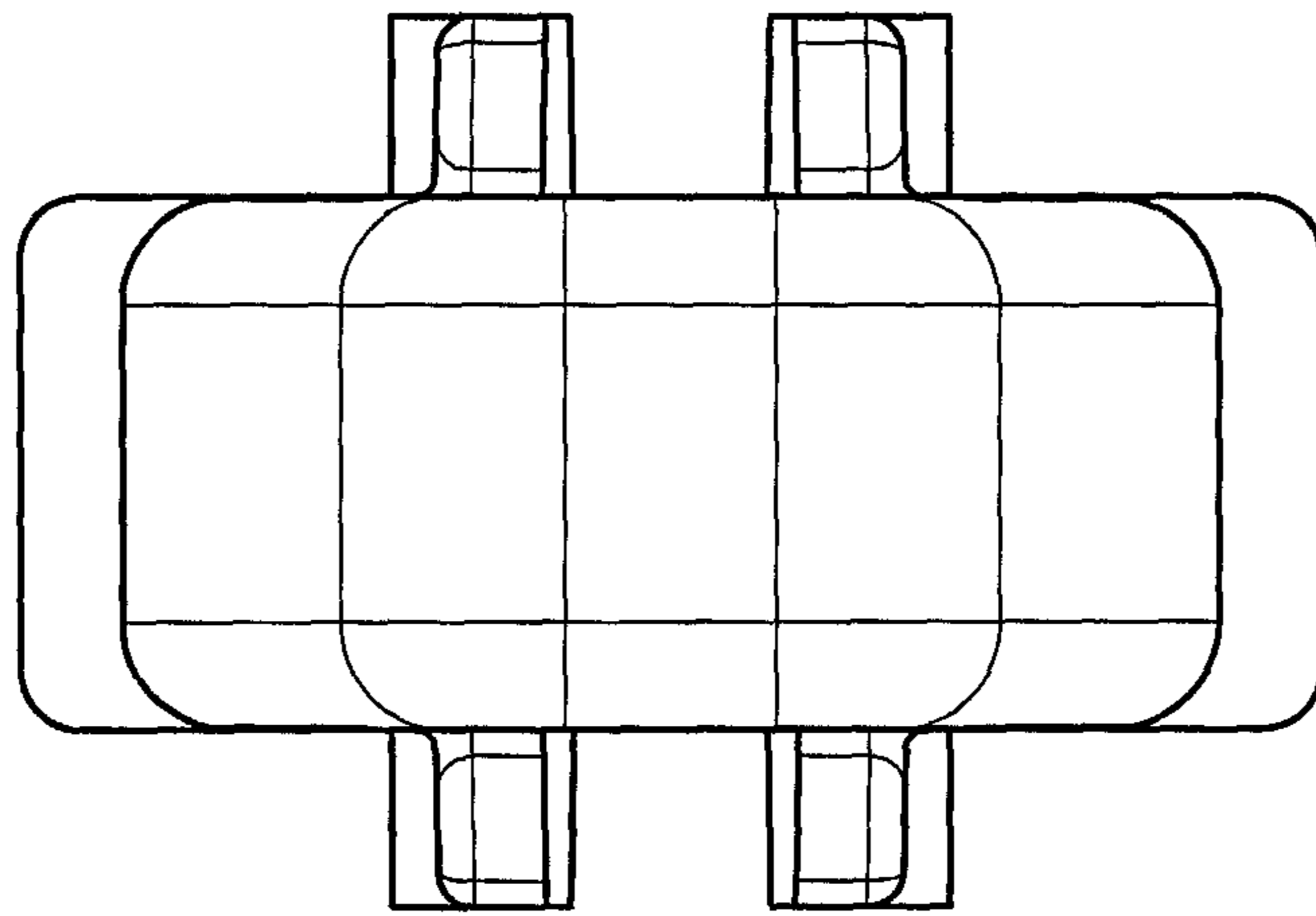


FIG. 5

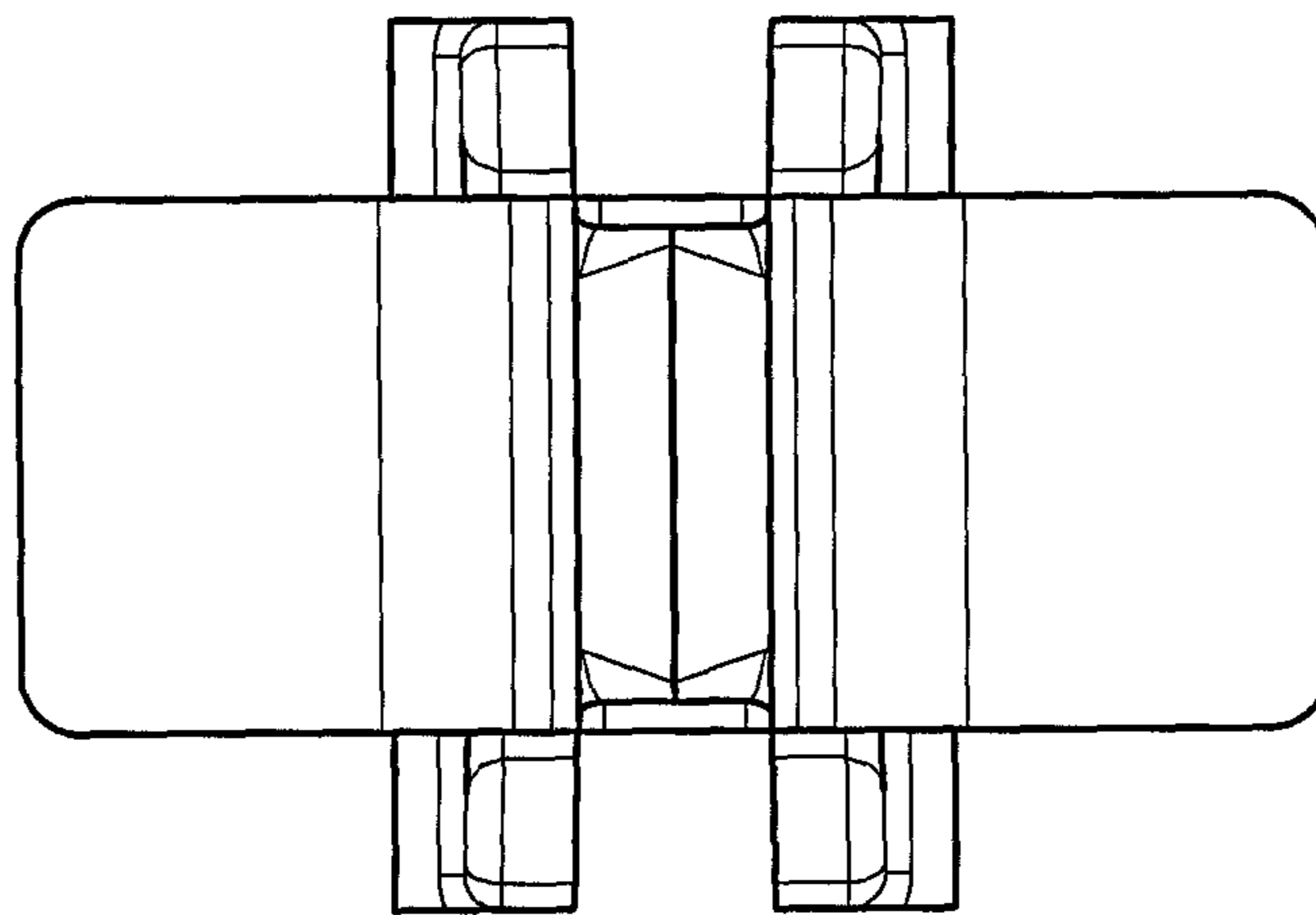


FIG. 6

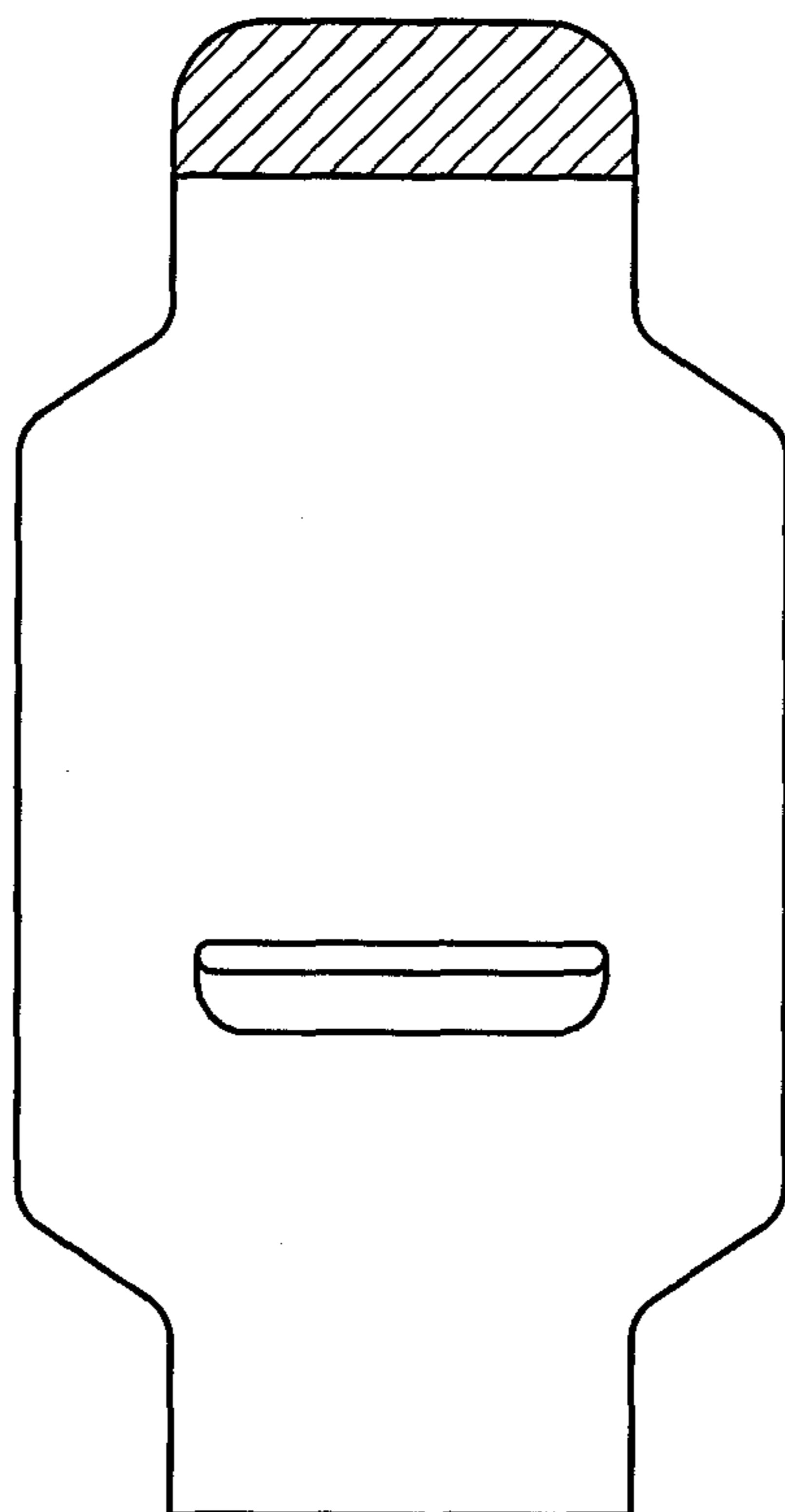


FIG. 7

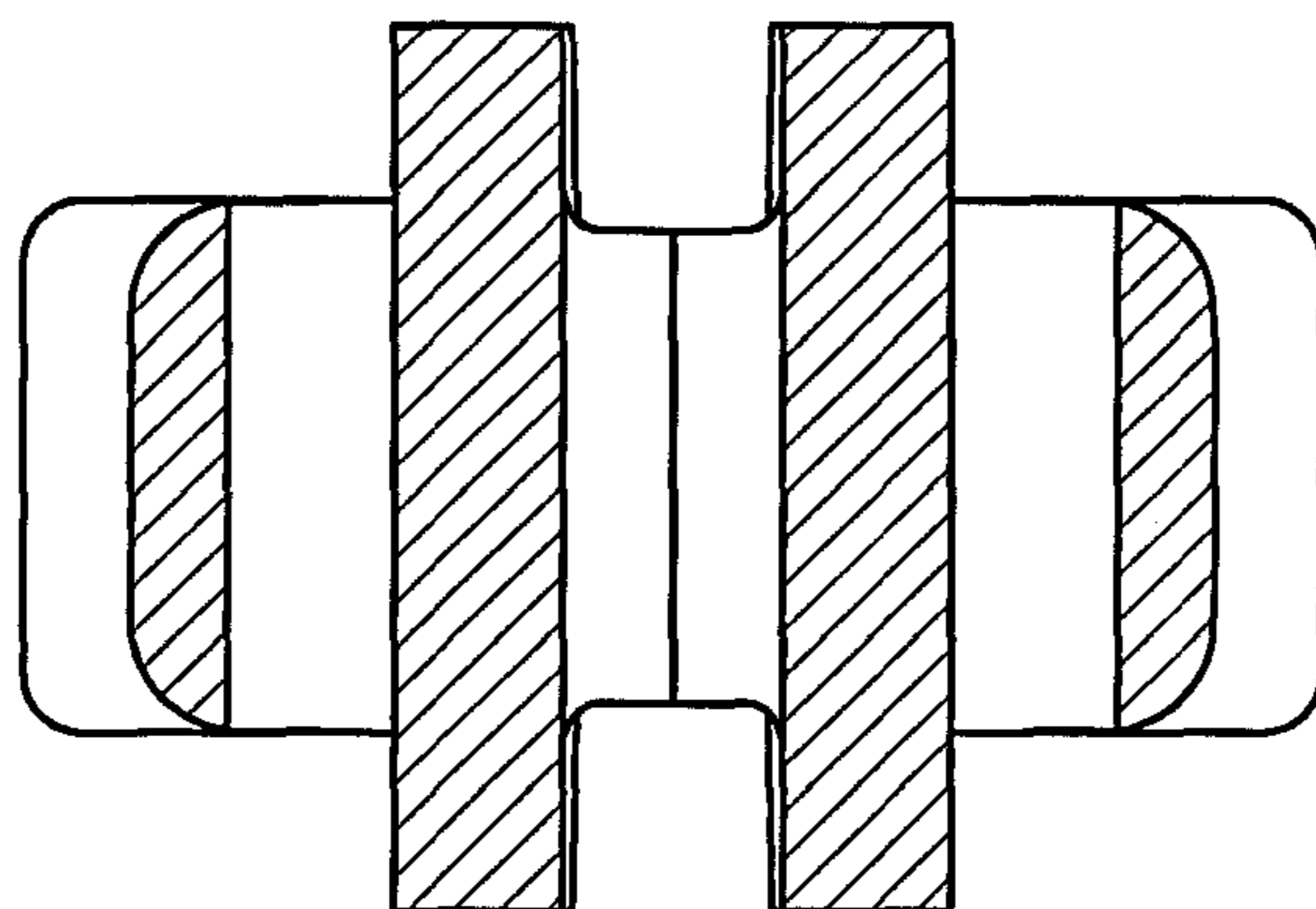


FIG. 8

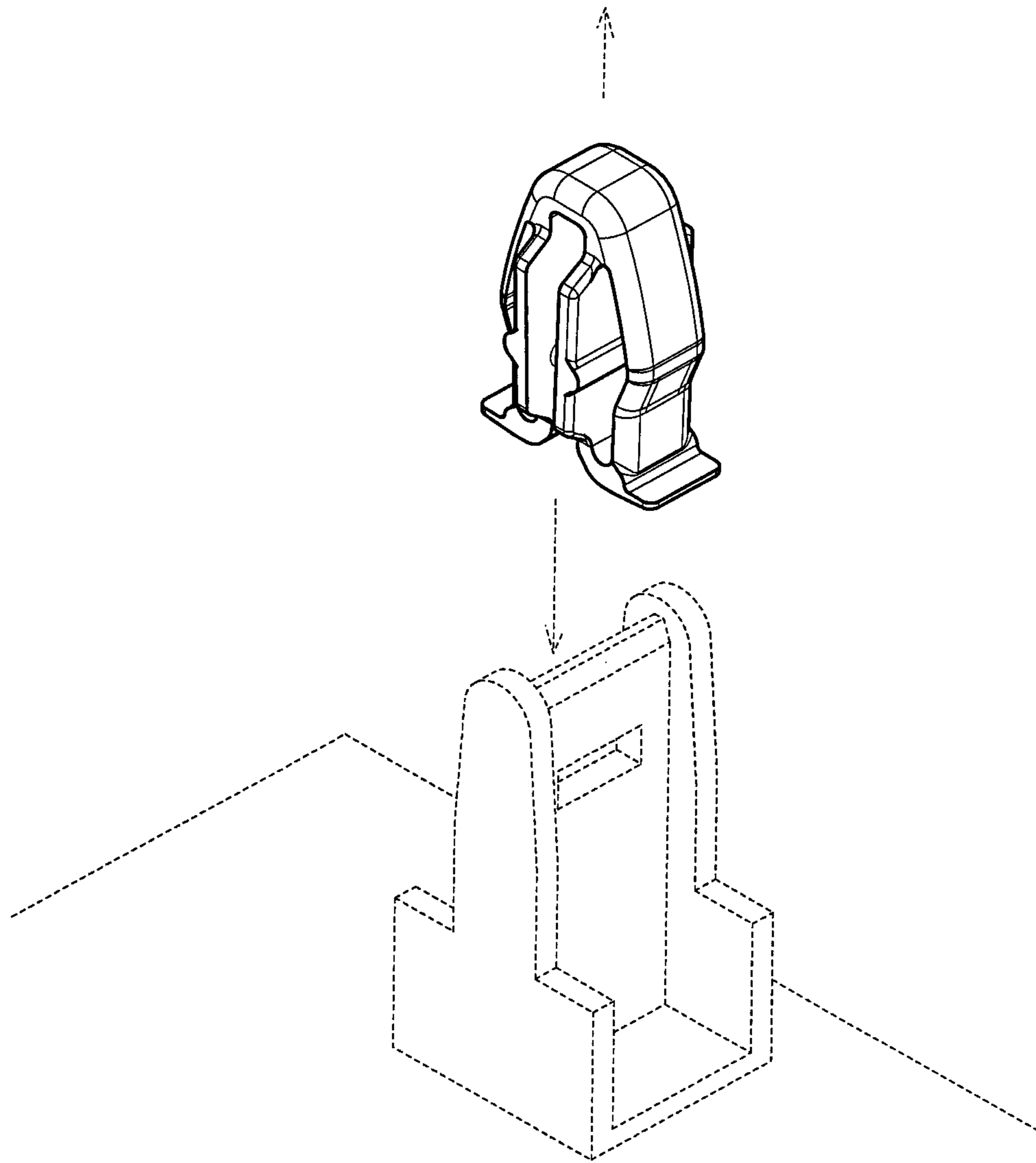


FIG. 9