

US00D693732S

(12) **United States Design Patent**
Dunn

(10) **Patent No.:** **US D693,732 S**

(45) **Date of Patent:** **** *Nov. 19, 2013**

(54) **FLAG DISPLAY HOLDER FOR A CORD**

2,611,615 A 9/1952 Watson
2,616,196 A * 11/1952 Sandahl, Jr. et al. 40/606.03
D170,594 S 10/1953 Leonard

(76) Inventor: **Scott E. Dunn**, Atlanta, GA (US)

(Continued)

(*) Notice: This patent is subject to a terminal disclaimer.

FOREIGN PATENT DOCUMENTS

(**) Term: **14 Years**

WO WO 2010132567 11/2010

(21) Appl. No.: **29/431,054**

OTHER PUBLICATIONS

(22) Filed: **Aug. 31, 2012**

U.S. Appl. No. 61/439,606, filed Feb. 4, 2011, Scott E. Dunn.
U.S. Appl. No. 29/411,282, filed Jan. 19, 2012, Scott E. Dunn.

(51) **LOC (9) Cl.** **11-02**

(Continued)

(52) **U.S. Cl.**

USPC **D11/184**

(58) **Field of Classification Search**

USPC D11/184; D8/105, 107, 333, 349, 354,
D8/356, 358, 367, 373, 382, 383,
D8/394-396; D23/261; D26/38; 24/197,
24/561; 174/153 G; 242/400.1, 405.1,
242/405.2, 600, 916; 248/65, 74.1-74.4,
248/214, 215, 229.26, 201, 302, 204, 316.7,
248/316.8; 439/501; D34/38; 108/57.52;
D24/128

Primary Examiner — T. Chase Nelson

Assistant Examiner — Michelle E Wilson

(74) *Attorney, Agent, or Firm* — Ballard Spahr LLP

(57) **CLAIM**

The ornamental design for a flag display holder for a cord, as shown and described.

See application file for complete search history.

DESCRIPTION

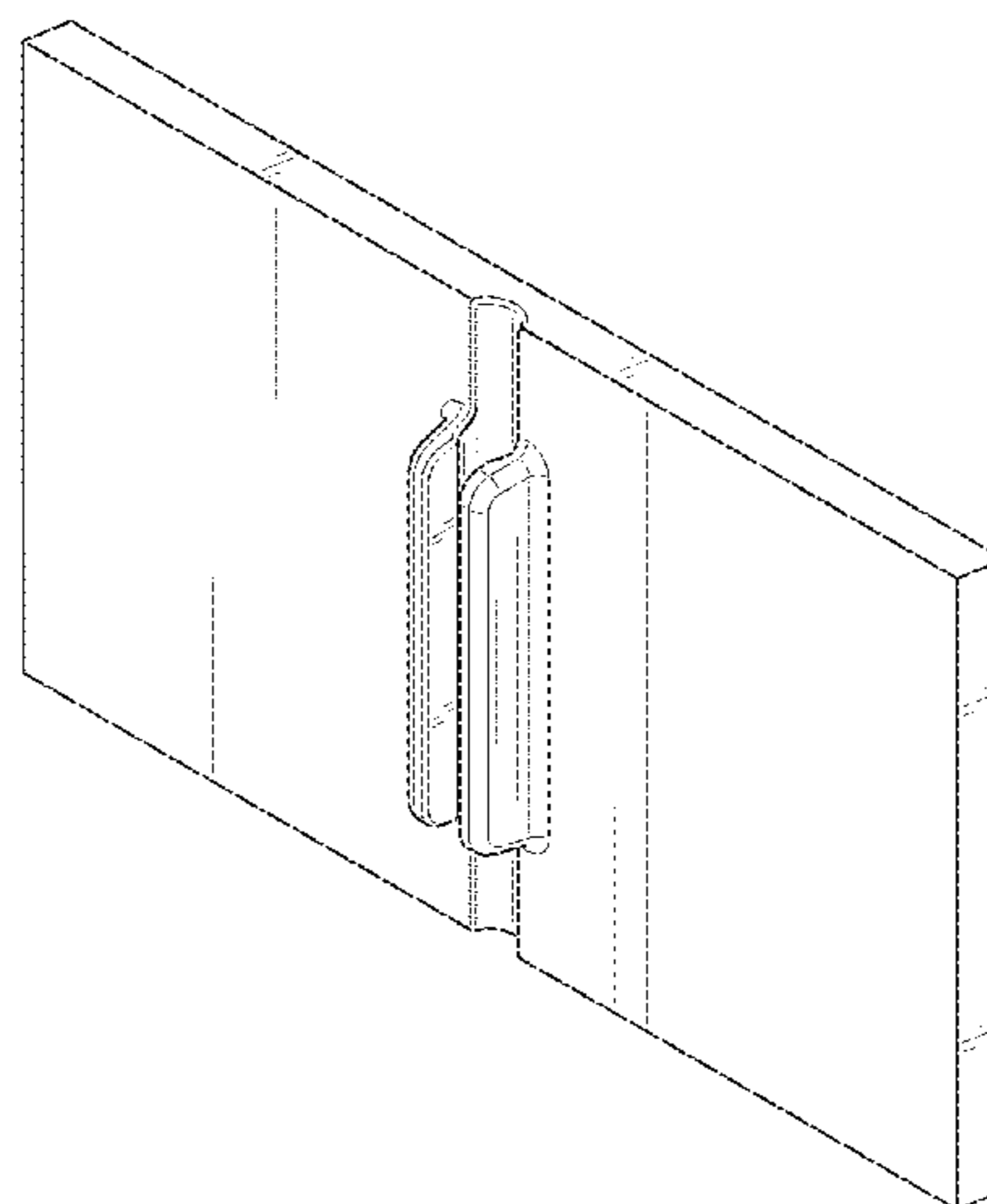
FIG. 1 is a front perspective view of an embodiment of a flag display holder for a cord of the present invention; FIG. 2 is a front elevational view of the flag display holder for a cord of FIG. 1; FIG. 3 is a rear elevational view of the flag display holder for a cord of FIG. 1; FIG. 4 is a left side elevational view of the flag display holder for a cord of FIG. 1; FIG. 5 is a right side elevational view of the flag display holder for a cord of FIG. 1; FIG. 6 is a top plan view of the flag display holder for a cord of FIG. 1; FIG. 7 is a bottom plan view of the flag display holder for a cord of FIG. 1; and, FIG. 8 is a rear perspective view of the flag display holder for a cord of FIG. 1.

(56) **References Cited**

U.S. PATENT DOCUMENTS

168,063 A 9/1875 Tatloe
807,747 A 12/1905 Kling
1,195,276 A 8/1916 Seaman
1,337,722 A 4/1920 Porter
1,388,219 A 8/1921 Thompson
D67,289 S 5/1925 Ladewich
1,593,078 A 7/1926 Jacoss
1,832,318 A 11/1931 Myers
2,083,431 A 6/1937 Cole
D133,983 S 10/1942 Anderson
D137,768 S 4/1944 Shirley
2,355,154 A 8/1944 Goudreau
D156,622 S 12/1949 Harmon
2,601,088 A 6/1952 Burgess
D167,185 S 7/1952 Wendt

1 Claim, 6 Drawing Sheets



(56)

References Cited

U.S. PATENT DOCUMENTS

2,786,983 A	3/1957	Hill	
3,203,700 A	8/1965	Kheainne	
3,228,640 A *	1/1966	Wolsh	248/72
3,322,381 A *	5/1967	Bubb	248/121
3,519,731 A	7/1970	Grunbaum	
3,576,304 A	4/1971	Gillemot et al.	
3,696,920 A *	10/1972	Lahay	206/370
3,766,854 A	10/1973	Scarlet	
3,772,809 A	11/1973	Schneller	
3,788,269 A	1/1974	Scarlet	
D235,023 S *	4/1975	Swayze	D14/229
4,004,362 A	1/1977	Barbieri	
4,011,673 A	3/1977	Levine	
4,103,949 A	8/1978	Bouloy	
4,131,226 A	12/1978	Breiter et al.	
4,177,750 A	12/1979	Scarlet	
4,198,202 A	4/1980	Kleber	
D256,398 S	8/1980	Mitchell	
4,261,121 A	4/1981	Coon	
4,294,895 A	10/1981	Atkins	
D264,379 S	5/1982	Slinkard	
D266,054 S	9/1982	Goodman	
4,398,444 A	8/1983	Walker	
D270,525 S	9/1983	Bayusik	
D275,174 S	8/1984	Rolli	
4,464,834 A	8/1984	Simms	
D280,393 S	9/1985	Lee	
D280,394 S	9/1985	Lee	
4,539,767 A	9/1985	Jaffe	
D285,044 S	8/1986	Mockett	
D289,138 S	4/1987	Nead	
4,656,767 A	4/1987	Tarrant	
D289,732 S	5/1987	Jason	
D293,766 S	1/1988	Lamb	
4,738,817 A	4/1988	Wittwer et al.	
D298,355 S	11/1988	Young	
4,821,988 A *	4/1989	Jimenez	248/227.3
4,856,214 A	8/1989	Machen	
D305,254 S	12/1989	Bateman	
D308,011 S	5/1990	Norris	
D314,529 S	2/1991	Willard	
D317,171 S	5/1991	Saks	
D321,913 S	11/1991	Wolff	
D325,400 S	4/1992	Wolff	
5,122,068 A	6/1992	Koss	
5,161,799 A	11/1992	Nandra	
5,203,129 A *	4/1993	Johnson	52/202
5,207,174 A	5/1993	Fabbrini	
5,209,992 A	5/1993	Feres	
D336,131 S *	6/1993	Nordstrom et al.	D24/128
D340,038 S	10/1993	Venne	
D356,350 S	3/1995	Berggreen	
D358,615 S	5/1995	Cline	
D364,201 S	11/1995	Jensen	
D365,781 S	1/1996	Osborn	
5,479,735 A *	1/1996	Martin, Jr.	40/593
D369,042 S	4/1996	Kinart	
D369,758 S	5/1996	Remidio	
D370,061 S	5/1996	Shirley	
5,536,096 A	7/1996	Nowak	
5,537,042 A	7/1996	Beutler	
D372,533 S	8/1996	Davis	
5,584,122 A	12/1996	Kato et al.	
5,657,198 A	8/1997	Flener	
5,669,191 A *	9/1997	Weaver	52/202
D388,833 S	1/1998	Wilson	
5,712,767 A	1/1998	Koizumi	
D390,066 S *	2/1998	Watkins et al.	D7/633
D393,345 S	4/1998	Clegg	
5,740,622 A	4/1998	Martin	
D396,146 S	7/1998	Blue	
D401,883 S	12/1998	Madhvani	
5,845,883 A *	12/1998	Meyer	248/73
5,869,784 A	2/1999	Shinchi	
D407,453 S	3/1999	Rashman	
5,887,368 A	3/1999	Rupp	
D412,136 S	7/1999	Namdar	
5,922,993 A	7/1999	Ide	
5,925,202 A	7/1999	Ide	
5,929,384 A	7/1999	Ide	
5,933,995 A	8/1999	Gorbach	
5,934,509 A	8/1999	Niss	
D413,544 S	9/1999	Steinberg	
5,971,436 A	10/1999	Cox	
5,979,028 A	11/1999	Hicks	
D421,773 S	3/2000	Yashar	
6,087,589 A	7/2000	Ide	
6,120,565 A	9/2000	Dix	
D436,518 S	1/2001	Matsubara	
D438,624 S	3/2001	Reina	
D438,788 S	3/2001	Rigel	
6,226,865 B1	5/2001	Tanikawa	
D446,676 S	8/2001	Mayes	
D446,903 S	8/2001	Pavan	
6,269,573 B1 *	8/2001	Najmi	40/666
D448,276 S	9/2001	Kelleghan	
6,301,756 B1	10/2001	Howard	
D449,981 S	11/2001	Davis	
D452,135 S *	12/2001	Wyatt et al.	D8/354
6,332,247 B1	12/2001	Hsieh	
D454,244 S	3/2002	Scheff	
D454,971 S	3/2002	Crosby	
D455,145 S	4/2002	Williams	
D456,016 S	4/2002	Denson	
D456,389 S	4/2002	Denson	
D456,692 S *	5/2002	Epstein	D8/356
D457,157 S	5/2002	Best	
6,381,840 B2	5/2002	Ide	
6,392,147 B1	5/2002	Hier	
D459,194 S	6/2002	Johansson	
6,409,131 B1 *	6/2002	Bentley et al.	248/219.4
D460,350 S	7/2002	Davis	
6,430,782 B1	8/2002	Torres	
D465,993 S	11/2002	Kelleghan	
6,490,789 B1	12/2002	Ide	
6,497,063 B1	12/2002	Stephens	
D477,772 S *	7/2003	Nezu	D8/383
6,598,558 B2	7/2003	Griffin	
6,634,528 B2	10/2003	Hurtgam	
D481,649 S	11/2003	Samuels	
D482,391 S	11/2003	Hui	
6,651,362 B2	11/2003	Caveney	
6,657,126 B2	12/2003	Ide	
6,662,445 B2	12/2003	Tanikawa	
D485,783 S	1/2004	Youngman	
D486,926 S	2/2004	Yuen	
D490,692 S	6/2004	Williams	
D491,836 S	6/2004	Haimoff	
D492,800 S	7/2004	Yuen	
D494,087 S	8/2004	Lax	
D494,090 S	8/2004	Lax	
D494,091 S	8/2004	Lax	
D494,092 S	8/2004	Lax	
D494,093 S	8/2004	Lax	
6,844,499 B2	1/2005	Ide	
D502,122 S	2/2005	Lax	
6,858,804 B2	2/2005	Murakami	
D505,091 S	5/2005	Youngman	
D505,356 S	5/2005	Ho	
D507,508 S	7/2005	Brownell	
6,940,020 B2	9/2005	Ide	
D511,709 S	11/2005	Mehta	
D511,987 S	11/2005	Swarovski	
D511,989 S	11/2005	Pereira De Castro	
D512,934 S	12/2005	Voorn	
D514,978 S	2/2006	Lakhi	
D520,676 S	5/2006	Chen	
D521,409 S	5/2006	De Castro	
7,073,282 B2	7/2006	Savagian	
7,111,812 B2 *	9/2006	Shannon et al.	248/230.7
D529,557 S	10/2006	Greenwald	
D534,594 S	1/2007	Revere	
D535,907 S	1/2007	Sevdermish	
D538,351 S	3/2007	Strong	

(56)

References Cited

U.S. PATENT DOCUMENTS

7,194,829 B2 3/2007 Boire
 D542,123 S 5/2007 Symons
 D547,862 S 7/2007 Dikeman
 D548,057 S 8/2007 Kelleghan
 D563,157 S 3/2008 Bouveret
 D563,616 S 3/2008 Lynde
 D563,828 S 3/2008 Meijer
 D568,723 S 5/2008 Morgan
 D572,126 S 7/2008 Tomaka
 D572,165 S 7/2008 Lichtenstein
 D575,143 S 8/2008 Kuo
 D575,887 S 8/2008 Mukai
 D576,320 S 9/2008 Mukai
 D578,163 S 10/2008 Chou
 D578,275 S 10/2008 Shantz
 D585,196 S 1/2009 Bundrick
 D587,162 S 2/2009 Baker
 D587,163 S 2/2009 Baker
 D587,164 S 2/2009 Baker
 D587,623 S 3/2009 Baker
 D587,624 S 3/2009 Baker
 D589,328 S 3/2009 Edge
 7,509,765 B2 3/2009 Flores
 D590,676 S 4/2009 Pickard
 D590,885 S 4/2009 Love
 D592,303 S 5/2009 Chesnin
 D592,540 S 5/2009 Rydlewicz
 D599,246 S 9/2009 Rudes
 D609,951 S 2/2010 Walker
 D610,482 S 2/2010 Shaw
 7,687,999 B2 3/2010 Essick
 D618,985 S * 7/2010 Sjoqvist D8/356
 D626,880 S 11/2010 Castaline
 D629,286 S 12/2010 Laskowski
 D629,671 S * 12/2010 Ohori et al. D8/356
 D630,317 S 1/2011 Wung
 D635,485 S 4/2011 Schanzer
 D639,408 S 6/2011 Newman
 D639,700 S 6/2011 Adams
 D644,150 S 8/2011 Edick
 D644,501 S 9/2011 Chen
 D645,345 S 9/2011 Liebowitz
 D646,730 S 10/2011 Burch
 D652,460 S 1/2012 Kulzer
 D652,766 S 1/2012 Dunn
 D652,767 S 1/2012 Dunn
 D653,163 S 1/2012 Dunn
 D653,164 S 1/2012 Dunn
 D653,165 S 1/2012 Dunn
 D653,166 S 1/2012 Dunn
 D653,167 S 1/2012 Dunn
 D653,168 S 1/2012 Dunn
 D655,887 S 3/2012 Zbuchalski
 D656,067 S 3/2012 Dunn
 D657,460 S 4/2012 Uhlenkamp
 D657,869 S 4/2012 Mammen
 D658,094 S 4/2012 Dunn
 D659,324 S 5/2012 Davis
 D659,589 S 5/2012 Dunn
 D659,590 S 5/2012 Dunn
 D659,591 S 5/2012 Dunn
 D663,237 S 7/2012 Dunn
 D663,238 S 7/2012 Dunn
 D665,701 S 8/2012 Dunn
 D666,124 S 8/2012 Dunn
 D666,125 S 8/2012 Dunn
 D666,937 S 9/2012 Dunn
 D666,938 S 9/2012 Dunn
 D666,939 S 9/2012 Dunn
 D666,940 S 9/2012 Dunn
 D667,337 S 9/2012 Dunn
 D667,751 S 9/2012 Dunn
 D668,995 S 10/2012 Dunn
 D669,392 S 10/2012 Dunn
 D670,196 S 11/2012 Dunn

D670,598 S 11/2012 Dunn
 2008/0285785 A1 11/2008 Zieg
 2009/0277055 A1 11/2009 Madrigal
 2012/0031981 A1* 2/2012 Westlake et al. 235/492
 2012/0260543 A1 10/2012 Dunn

OTHER PUBLICATIONS

U.S. Appl. No. 29/411,283, filed Jan. 19, 2012, Scott E. Dunn.
 U.S. Appl. No. 29/411,284, filed Jan. 19, 2012, Scott E. Dunn.
 U.S. Appl. No. 29/411,309, filed Jan. 19, 2012, Scott E. Dunn.
 U.S. Appl. No. 29/411,315, filed Jan. 19, 2012, Scott E. Dunn.
 U.S. Appl. No. 29/431,036, filed Aug. 31, 2012, Scott E. Dunn.
 U.S. Appl. No. 29/431,030, filed Aug. 31, 2012, Scott E. Dunn.
 U.S. Appl. No. 29/431,449, filed Sep. 7, 2012, Scott E. Dunn.
 U.S. Appl. No. 29/431,049, filed Aug. 31, 2012, Scott E. Dunn.
 U.S. Appl. No. 29/430,979, filed Aug. 31, 2012, Scott E. Dunn.
 U.S. Appl. No. 29/431,033, filed Aug. 31, 2012, Scott E. Dunn.
 U.S. Appl. No. 29/431,052, filed Aug. 31, 2012, Scott E. Dunn.
 U.S. Appl. No. 29/431,031, filed Aug. 31, 2012, Scott E. Dunn.
 U.S. Appl. No. 29/431,158, filed Sep. 4, 2012, Scott E. Dunn.
 U.S. Appl. No. 29/431,159, filed Sep. 4, 2012, Scott E. Dunn.
 U.S. Appl. No. 29/431,160, filed Sep. 4, 2012, Scott E. Dunn.
 U.S. Appl. No. 29/431,161, filed Sep. 4, 2012, Scott E. Dunn.
 U.S. Appl. No. 29/411,282, filed Jan. 19, 2012, Dunn.
 U.S. Appl. No. 29/411,283, filed Jan. 19, 2012, Dunn.
 U.S. Appl. No. 29/411,284, filed Jan. 19, 2012, Dunn.
 U.S. Appl. No. 29/411,309, filed Jan. 19, 2012, Dunn.
 U.S. Appl. No. 29/411,315, filed Jan. 19, 2012, Dunn.
 U.S. Appl. No. 61/439,606, filed Feb. 4, 2011, Dunn.
 U.S. Appl. No. 29/431,036, filed Aug. 31, 2012, Dunn.
 U.S. Appl. No. 29/431,030, filed Aug. 31, 2012, Dunn.
 U.S. Appl. No. 29/431,054, filed Aug. 31, 2012, Dunn.
 U.S. Appl. No. 29/431,049, filed Aug. 31, 2012, Dunn.
 Fiber Network Tools, <http://www.fibernetnetworktools.com/catalog2.php>, FNT Cables and Assemblies, Accessed Nov. 26, 2010.
 NELCO Products Incorporated, <http://www.nelcoproducts.com>, NELCO Blank Flag Tie Markets, Accessed Nov. 26, 2010.
 Stick'nGo, <http://stickngo.com.au>, Stick'nGo Cables Label, Accessed Nov. 26, 2010.
 U.S. Appl. No. 29/431,033, filed Aug. 31, 2012, Dunn.
 U.S. Appl. No. 29/431,052, filed Aug. 31, 2012, Dunn.
 U.S. Appl. No. 29/431,031, filed Aug. 31, 2012, Dunn.
 U.S. Appl. No. 29/431,158, filed Sep. 4, 2012, Dunn.
 U.S. Appl. No. 29/431,159, filed Sep. 4, 2012, Dunn.
 U.S. Appl. No. 29/431,160, filed Sep. 4, 2012, Dunn.
 U.S. Appl. No. 29/431,161, filed Sep. 4, 2012, Dunn.
 U.S. Appl. No. 29/431,449, filed Sep. 7, 2012, Dunn.
 Sunlec International, <http://www.sunlec.com.au>, Sunlec International Cable Sleeves, Accessed Nov. 26, 2010.
 The Cable Label Co., <http://www.thecablelabelco.co.uk/buy.php>, Buy Cable Bug Labels In Bags, Accessed Nov. 26, 2010.
 The Storage Store, <http://www.thestoragelabel.com>, Computer Cable Flags, Accessed Nov. 26, 2010.
 Non-Final Office Action entered by the U.S. Patent and Trademark Office on Dec. 7, 2012 for U.S. Appl. No. 13/367,352 (2012-0260543), filed Feb. 6, 2012 (15 pages).
 Requirement for Restriction/Election entered by the U.S. Patent and Trademark Office on Sep. 21, 2011 for U.S. Appl. No. 29/394,588, filed Jun. 18, 2011 (5 pages).
 Response to Election / Restriction Filed entered by the U.S. Patent and Trademark Office on Nov. 21, 2011 for U.S. Appl. No. 29/394,588, filed Jun. 18, 2011 (2 pages).
 Notice of Allowance entered by the U.S. Patent and Trademark Office on Jan. 6, 2012 for U.S. Appl. No. 29/394,588, filed Jun. 18, 2011 (8 pages).
 Issue Notification entered by the U.S. Patent and Trademark Office on Jan. 11, 2012 for U.S. Appl. No. 29/394,588, filed Jun. 18, 2011 (1 page).
 Notice of Allowance entered by the U.S. Patent and Trademark Office on Sep. 20, 2011 for U.S. Appl. No. 29/394,589, filed Jun. 18, 2011 (First Named Inventor—Dunn; (7 pages).

(56)

References Cited

OTHER PUBLICATIONS

Final Office Action entered by the U.S. Patent and Trademark Office on Oct. 22, 2012 for U.S. Appl. No. 29/411,315, filed Jan. 19, 2012 (6 pages).

Notice of Allowance entered by the U.S. Patent and Trademark Office on Jun. 21, 2012 for U.S. Appl. No. 29/411,316, filed Jan. 19, 2012 (8 pages).

Issue Notification entered by the U.S. Patent and Trademark Office on Oct. 17, 2012 for U.S. Appl. No. 29/411,316, filed Jan. 19, 2012 (1 page).

Amendment After Final entered on Mar. 12, 2013 for U.S. Appl. No. 29/411,283, filed Jan. 19, 2012 (5 pages).

Amendment After Final entered on Mar. 12, 2013 for U.S. Appl. No. 29/411,284, filed Jan. 19, 2012 (5 pages).

Notice of Allowance and Fees Due entered on Mar. 25, 2013 for U.S. Appl. No. 29/411,284, filed Jan. 19, 2012 (6 pages).

Notice of Allowance and Fees Due entered on Mar. 27, 2013 for U.S. Appl. No. 29/411,283, filed Jan. 19, 2012 (6 pages).

Amendment After Final entered on Mar. 12, 2013 for U.S. Appl. No. 29/411,309, filed Jan. 19, 2012 (5 pages).

Notice of Allowance and Fees Due entered on Mar. 26, 2013 for U.S. Appl. No. 29/411,309, filed Jan. 19, 2012 (6 pages).

Amendment After Final entered on Mar. 12, 2013 for U.S. Appl. No. 29/411,315, filed Jan. 19, 2012 (5 pages).

Notice of Allowance and Fees Due entered on Apr. 1, 2013 for U.S. Appl. No. 29/411,315, filed Jan. 19, 2012 (6 pages).

Notice of Allowance and Fees Due entered on Mar. 1, 2013 for U.S. Appl. No. 29/431,036, filed Aug. 31, 2012 (7 pages).

Notice of Allowance and Fees Due entered on Mar. 4, 2013 for U.S. Appl. No. 29/431,030, filed Aug. 31, 2012 (7 pages).

Notice of Allowance and Fees Due entered on Mar. 12, 2013 for U.S. Appl. No. 29/431,049, filed Aug. 31, 2012 (7 pages).

Notice of Allowance and Fees Due entered on Mar. 6, 2013 for U.S. Appl. No. 29/431,052, filed Aug. 31, 2012 (7 pages).

Non-Final Office Action entered Mar. 1, 2013 for U.S. Appl. No. 29/431,159, filed Sep. 4, 2012 (5 pages).

Non-Final Office Action entered Mar. 19, 2013 for U.S. Appl. No. 29/431,160, filed Sep. 4, 2012 (5 pages).

Non-Final Office Action entered Mar. 1, 2013 for U.S. Appl. No. 29/431,161, filed Sep. 4, 2012 (5 pages).

Notice of Allowance and Fees Due entered on Feb. 28, 2013 for U.S. Appl. No. 29/430,979, filed Aug. 31, 2012 (7 pages).

Amendment After Final entered on Mar. 27, 2013 for U.S. Appl. No. 29/430,979, filed Aug. 31, 2012 (3 pages).

Notice of Allowance and Fees Due entered on Feb. 27, 2013 for U.S. Appl. No. 29/431,033, filed Aug. 31, 2012 (7 pages).

Notice of Allowance and Fees Due entered on Feb. 27, 2013 for U.S. Appl. No. 29/431,031, filed Aug. 31, 2012 (7 pages).

Amendment After Final entered on Mar. 27, 2013 for U.S. Appl. No. 29/431,031, filed Aug. 31, 2012 (3 pages).

Supplemental Notice of Allowability entered on May 20, 2013 for U.S. Appl. No. 29/431,031, filed Aug. 31, 2012 (2 pages).

* cited by examiner

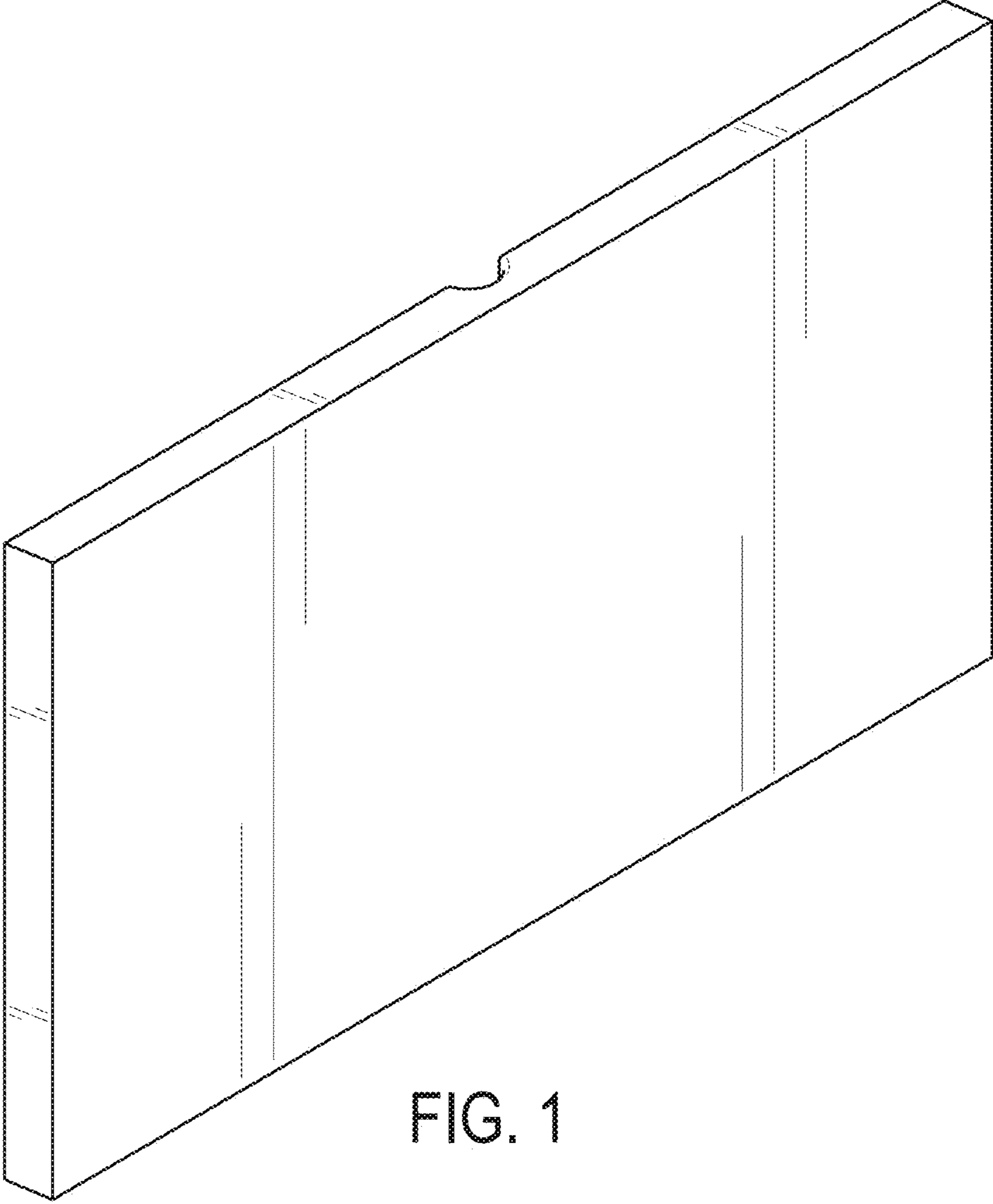


FIG. 1

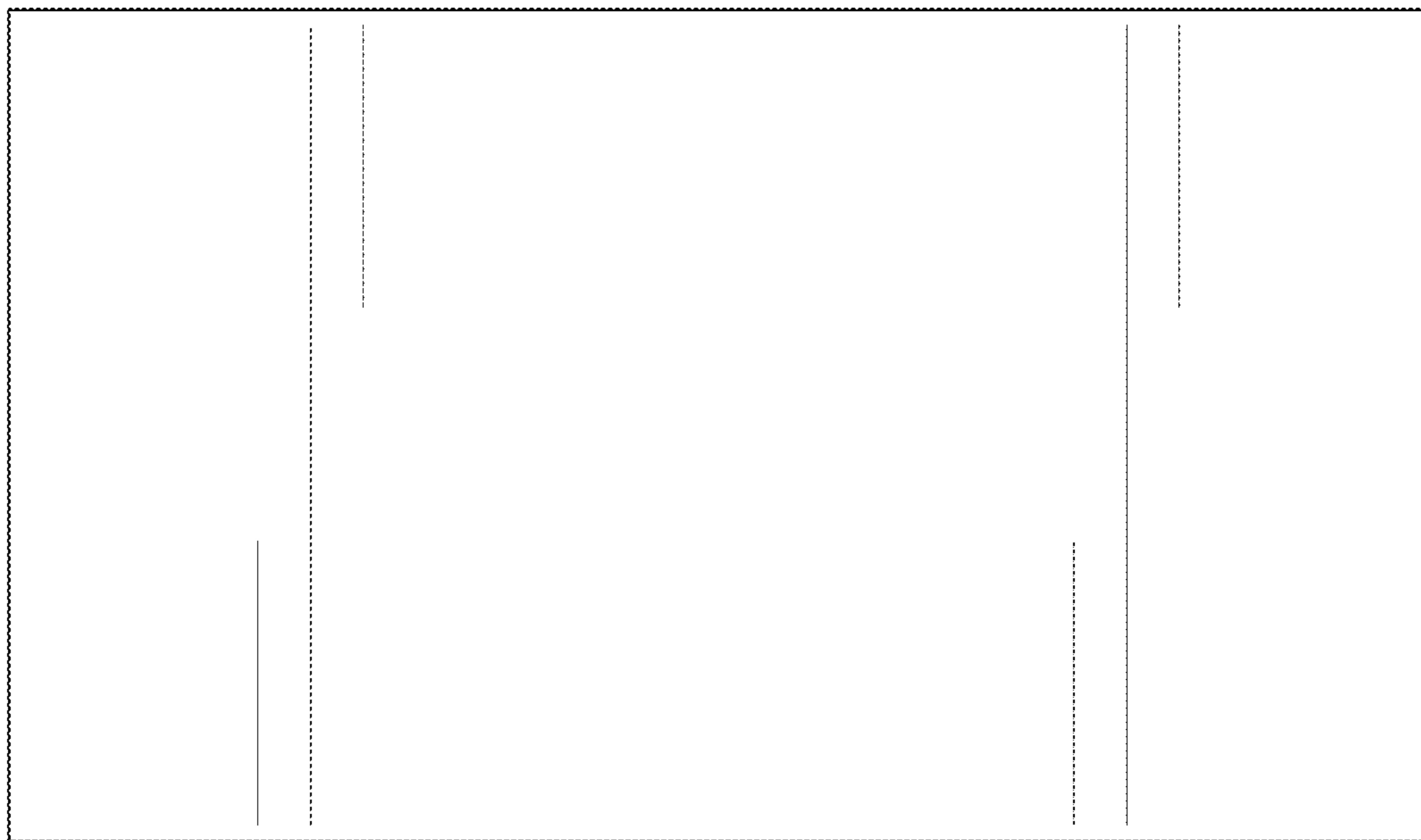


FIG. 2

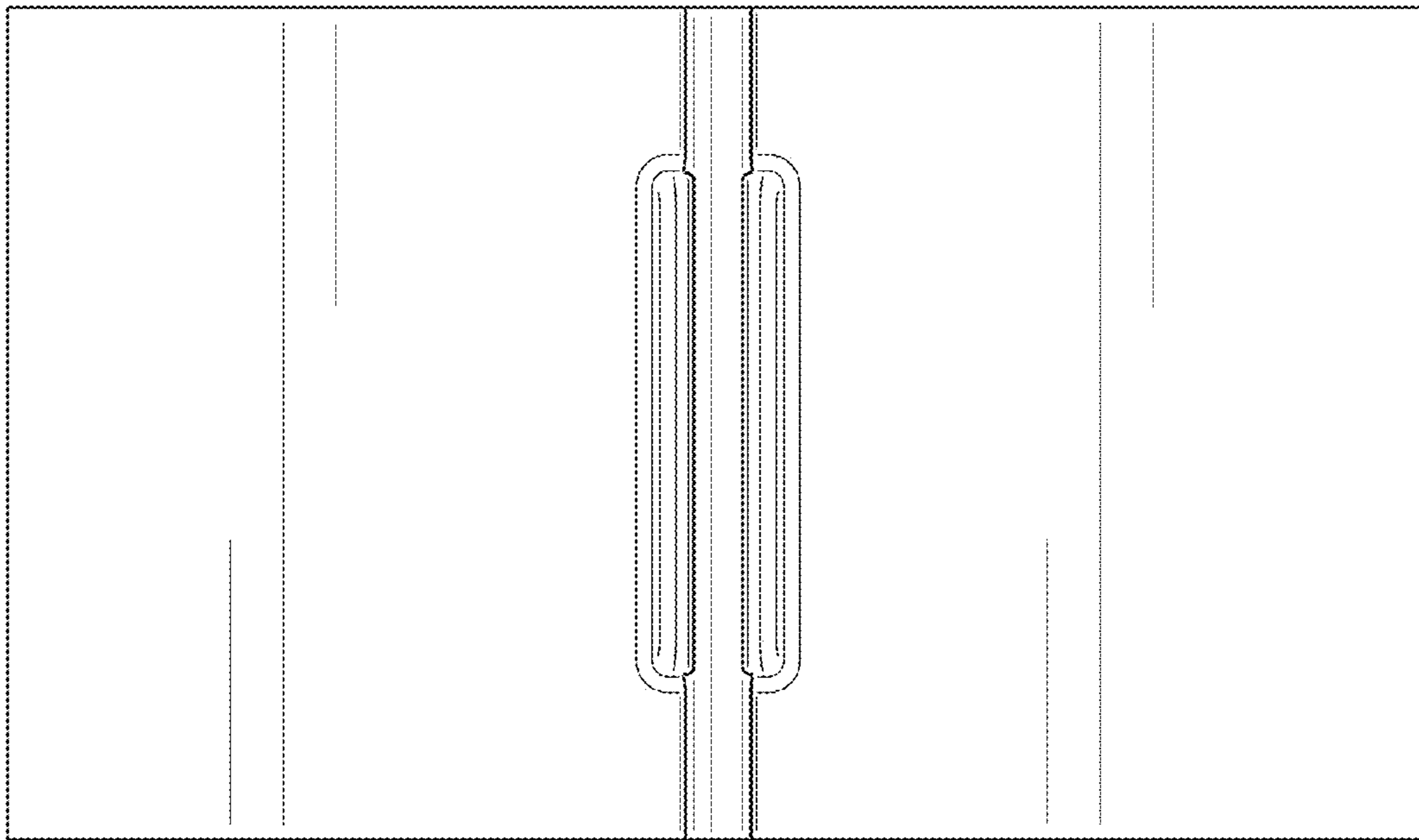


FIG. 3

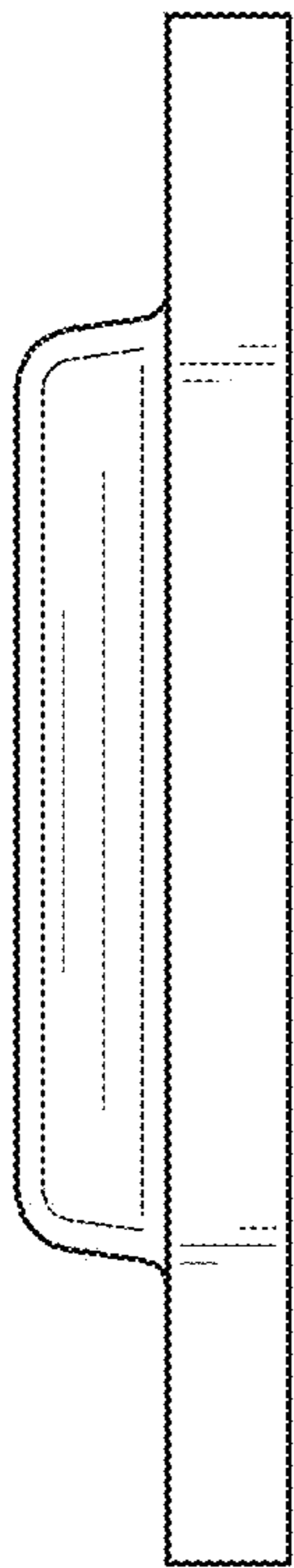


FIG. 4

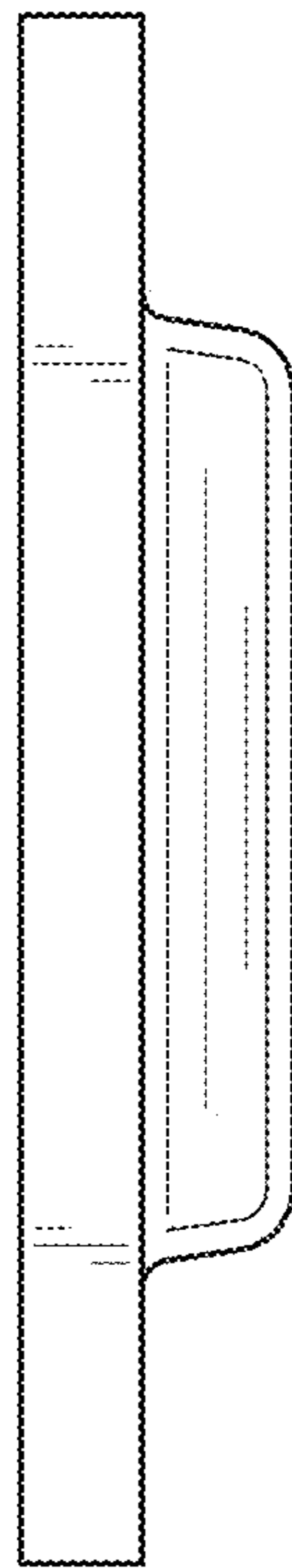


FIG. 5

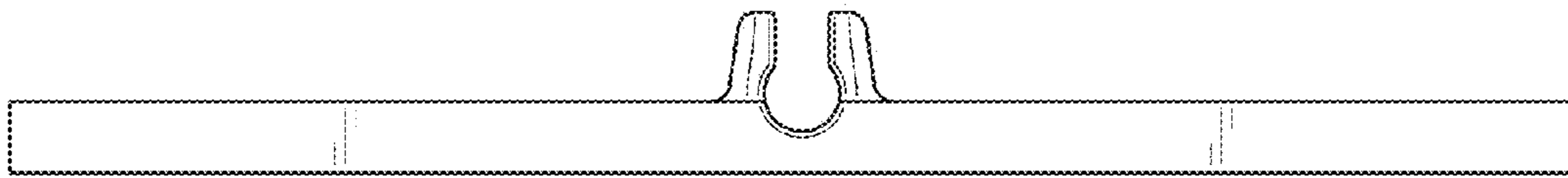


FIG. 6

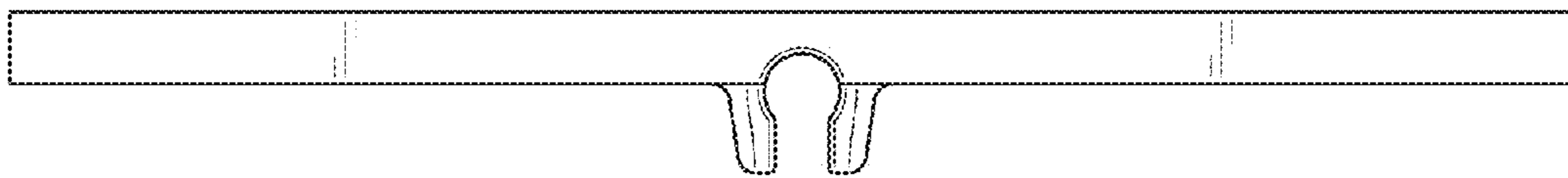


FIG. 7

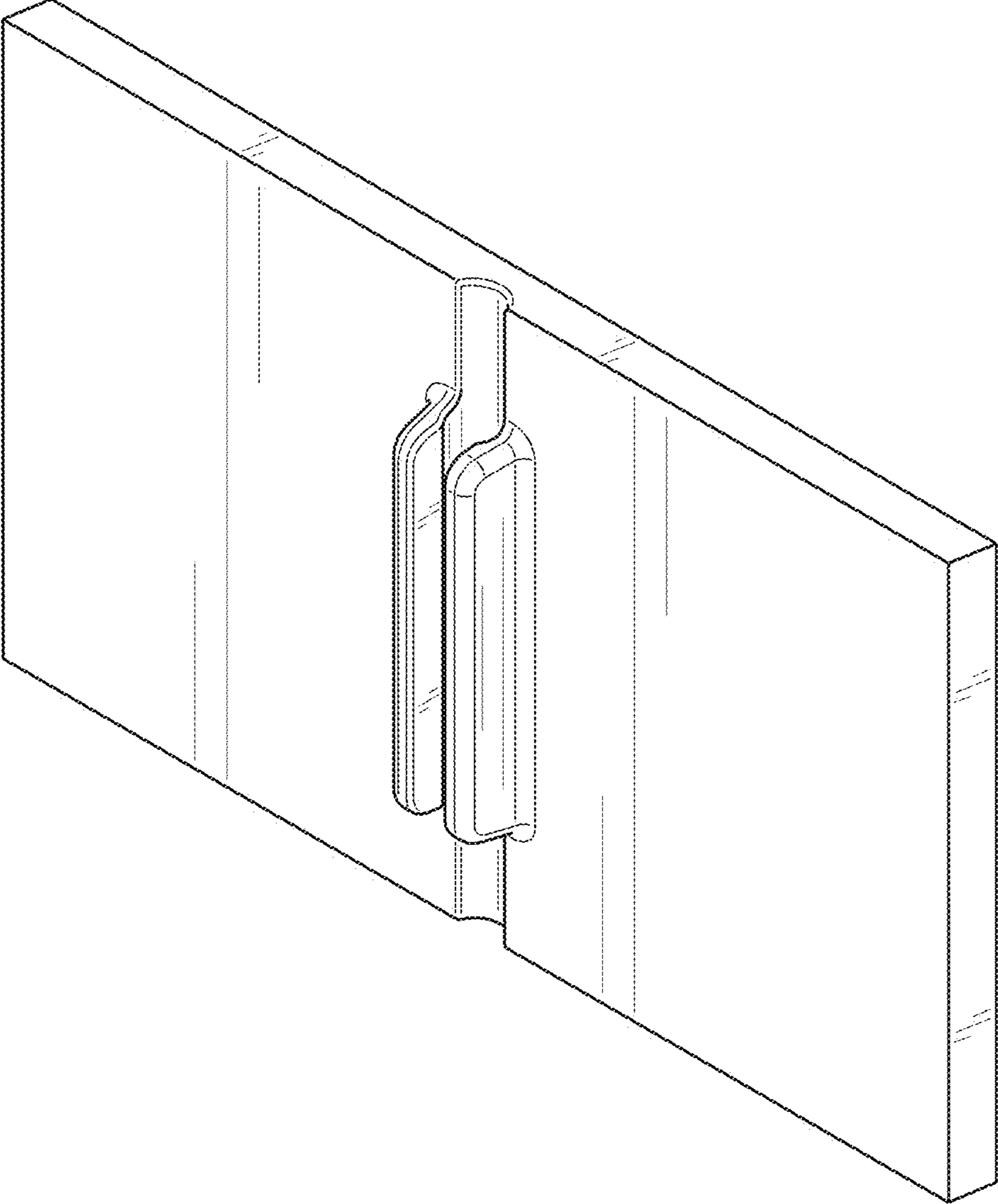


FIG. 8