



US00D693731S

(12) **United States Design Patent**  
**Dunn**

(10) **Patent No.:** **US D693,731 S**  
(45) **Date of Patent:** **\*\* Nov. 19, 2013**

(54) **OVAL DISPLAY HOLDER FOR A CORD**

3,203,700 A 8/1965 Kheainne  
3,228,640 A \* 1/1966 Wolsh ..... 248/72  
3,322,381 A \* 5/1967 Bubb ..... 248/121

(76) Inventor: **Scott E. Dunn**, Atlanta, GA (US)

(Continued)

(\*\*) Term: **14 Years**

FOREIGN PATENT DOCUMENTS

(21) Appl. No.: **29/430,979**

WO WO 2010132567 11/2010

(22) Filed: **Aug. 31, 2012**

OTHER PUBLICATIONS

(51) **LOC (9) Cl.** ..... **11-02**

(52) **U.S. Cl.**

USPC ..... **D11/184**

(58) **Field of Classification Search**

USPC ..... D11/184; D8/105, 107, 333, 349, 354,  
D8/356, 358, 367, 373, 382, 383,  
D8/394-396; D23/261; D26/38; 24/197,  
24/561; 174/153 G; 242/400.1, 405.1,  
242/405.2, 600, 916; 248/65, 74.1-74.4,  
248/214, 215, 229.26, 201, 302, 204, 316.7,  
248/316.8; 439/501; D34/38; 108/57.52;  
D24/128

See application file for complete search history.

U.S. Appl. No. 29/411,282, Dunn, filed Jan. 19, 2012.

U.S. Appl. No. 29/411,283, Dunn, filed Jan. 19, 2012.

(Continued)

*Primary Examiner* — T. Chase Nelson

*Assistant Examiner* — Michelle E Wilson

(74) *Attorney, Agent, or Firm* — Ballard Spahr LLP

(57) **CLAIM**

The ornamental design for an oval display holder for a cord,  
as shown and described.

**DESCRIPTION**

(56) **References Cited**

U.S. PATENT DOCUMENTS

168,063 A 9/1875 Tatloe  
807,747 A \* 12/1905 Kling ..... 174/72 R  
1,195,276 A 8/1916 Seaman  
1,337,722 A 4/1920 Porter  
1,388,219 A 8/1921 Thompson  
D67,289 S 5/1925 Ladewich  
1,593,078 A 7/1926 Jacoss  
1,832,318 A 11/1931 Myers  
2,083,431 A 6/1937 Cole  
D133,983 S 10/1942 Anderson  
D137,768 S 4/1944 Shirley  
2,355,154 A 8/1944 Goudreau  
D156,622 S 12/1949 Harmon  
2,601,088 A 6/1952 Burgess  
D167,185 S 7/1952 Wendt  
2,611,615 A 9/1952 Watson  
2,616,196 A \* 11/1952 Sandahl, Jr. et al. .... 40/606.03  
D170,594 S 10/1953 Leonard  
2,786,983 A 3/1957 Hill

FIG. 1 is a perspective view of an oval display holder for a cord of the present invention;

FIG. 2 is a front elevational view of the oval display holder for a cord of FIG. 1;

FIG. 3 is a rear elevational view of the oval display holder for a cord of FIG. 1;

FIG. 4 is a left side elevational view of the oval display holder for a cord of FIG. 1;

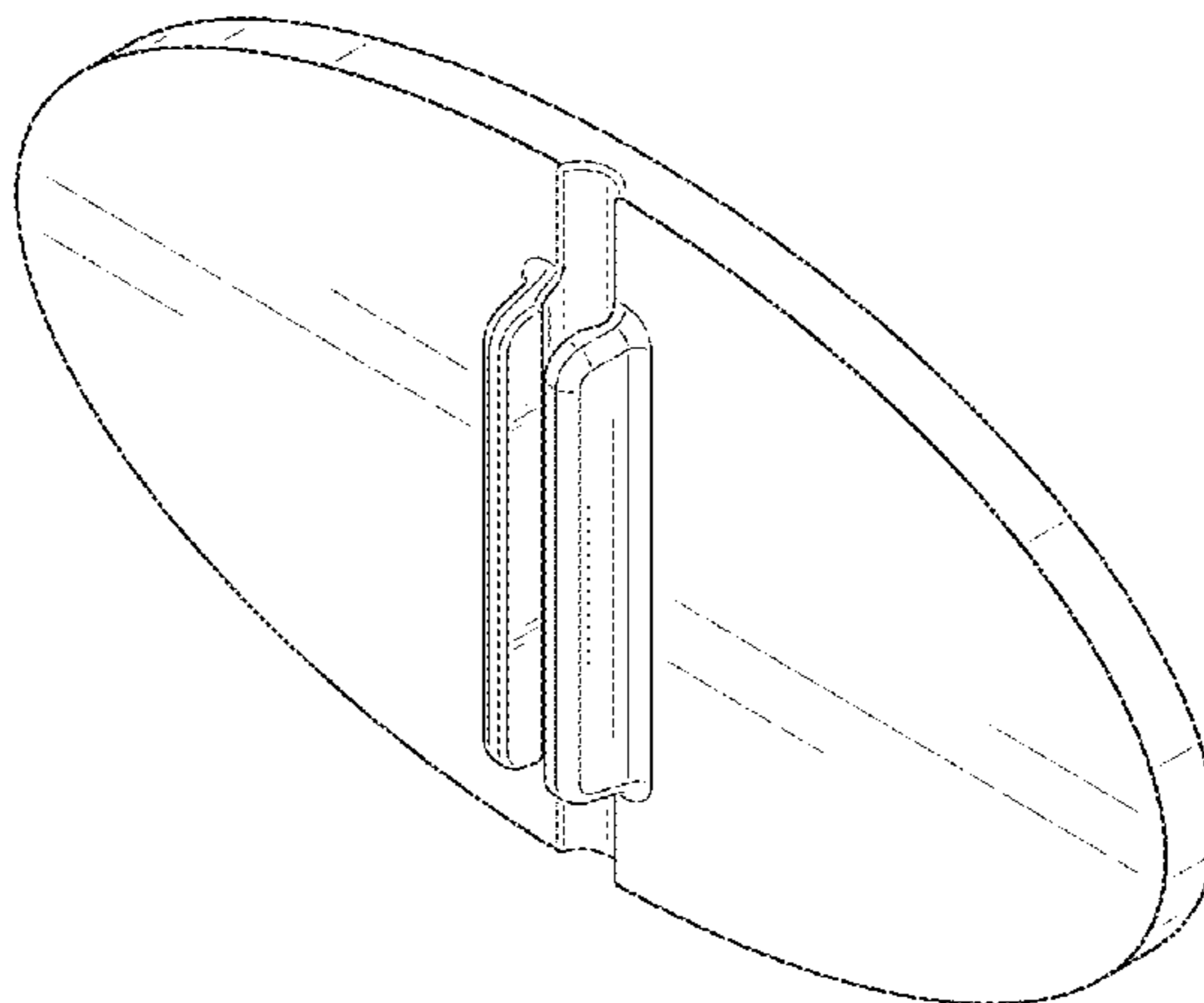
FIG. 5 is a right side elevational view of the oval display holder for a cord of FIG. 1;

FIG. 6 is a top elevational view of the oval display holder for a cord of FIG. 1;

FIG. 7 is a bottom elevational view of the oval display holder for a cord of FIG. 1; and,

FIG. 8 is a rear perspective view of the oval display holder for a cord of FIG. 1.

**1 Claim, 6 Drawing Sheets**





(56)

References Cited

U.S. PATENT DOCUMENTS

D547,862 S 7/2007 Dikeman  
D548,057 S 8/2007 Kelleghan  
D563,157 S \* 3/2008 Bouveret et al. .... D7/392.1  
D563,616 S \* 3/2008 Lynde et al. .... D32/40  
D563,828 S 3/2008 Meijer  
D568,723 S 5/2008 Morgan  
D572,126 S 7/2008 Tomaka  
D572,165 S 7/2008 Lichtenstein  
D575,143 S 8/2008 Kuo  
D575,887 S 8/2008 Mukai  
D576,320 S 9/2008 Mukai  
D578,163 S \* 10/2008 Chou ..... D19/99  
D578,275 S 10/2008 Shantz  
D585,196 S 1/2009 Bundrick  
D587,162 S 2/2009 Baker  
D587,163 S 2/2009 Baker  
D587,164 S 2/2009 Baker  
D587,623 S 3/2009 Baker  
D587,624 S 3/2009 Baker  
D589,328 S \* 3/2009 Edge ..... D8/356  
7,509,765 B2 3/2009 Flores  
D590,676 S 4/2009 Pickard  
D590,885 S 4/2009 Love  
D592,303 S 5/2009 Chesnin  
D592,540 S \* 5/2009 Rydlewicz ..... D11/90  
D599,246 S 9/2009 Rudes  
D609,951 S \* 2/2010 Walker ..... D6/559  
D610,482 S 2/2010 Shaw  
7,687,999 B2 3/2010 Essick  
D618,985 S \* 7/2010 Sjoqvist ..... D8/356  
D626,880 S 11/2010 Castaline  
D629,286 S 12/2010 Laskowski  
D629,671 S \* 12/2010 Ohori et al. .... D8/356  
D630,317 S 1/2011 Wung  
D635,485 S 4/2011 Schanzer  
D639,408 S \* 6/2011 Newman ..... D23/304  
D639,700 S 6/2011 Adams  
D644,150 S \* 8/2011 Edick ..... D12/162  
D644,501 S 9/2011 Chen  
D645,345 S \* 9/2011 Liebowitz et al. .... D9/435  
D646,730 S 10/2011 Burch  
D652,460 S \* 1/2012 Kulzer ..... D21/686  
D652,766 S 1/2012 Dunn  
D652,767 S 1/2012 Dunn  
D653,163 S 1/2012 Dunn  
D653,164 S \* 1/2012 Dunn ..... D11/184  
D653,165 S 1/2012 Dunn  
D653,166 S 1/2012 Dunn  
D653,167 S 1/2012 Dunn  
D653,168 S 1/2012 Dunn  
D655,887 S \* 3/2012 Zbuchalski ..... D1/128  
D656,067 S 3/2012 Dunn  
D657,460 S 4/2012 Uhlenkamp  
D657,869 S 4/2012 Mammen  
D658,094 S 4/2012 Dunn  
D659,324 S 5/2012 Davis  
D659,589 S 5/2012 Dunn  
D659,590 S 5/2012 Dunn  
D659,591 S 5/2012 Dunn  
D663,237 S 7/2012 Dunn  
D663,238 S 7/2012 Dunn  
D665,701 S 8/2012 Dunn  
D666,124 S 8/2012 Dunn  
D666,125 S 8/2012 Dunn  
D666,937 S 9/2012 Dunn  
D666,938 S 9/2012 Dunn  
D666,939 S 9/2012 Dunn  
D666,940 S 9/2012 Dunn  
D667,337 S 9/2012 Dunn  
D667,751 S 9/2012 Dunn  
D668,995 S 10/2012 Dunn  
D669,392 S 10/2012 Dunn  
D670,196 S 11/2012 Dunn  
D670,598 S 11/2012 Dunn  
2008/0285785 A1 \* 11/2008 Zieg et al. .... 381/370

2009/0277055 A1 11/2009 Madrigal  
2012/0031981 A1 2/2012 Westlake  
2012/0260543 A1 10/2012 Dunn

OTHER PUBLICATIONS

U.S. Appl. No. 29/411,284, Dunn, filed Jan. 19, 2012.  
U.S. Appl. No. 29/411,309, Dunn, filed Jan. 19, 2012.  
U.S. Appl. No. 29/411,315, Dunn, filed Jan. 19, 2012.  
U.S. Appl. No. 61/439,606, Dunn, filed Feb. 4, 2011.  
U.S. Appl. No. 29/431,036, Dunn, filed Aug. 31, 2012.  
U.S. Appl. No. 29/431,030, Dunn, filed Aug. 31, 2012.  
U.S. Appl. No. 29/431,054, Dunn, filed Aug. 31, 2012.  
U.S. Appl. No. 29/431,049, Dunn, filed Aug. 31, 2012.  
U.S. Appl. No. 29/431,033, Dunn, filed Aug. 31, 2012.  
U.S. Appl. No. 29/431,052, Dunn, filed Aug. 31, 2012.  
U.S. Appl. No. 29/431,031, Dunn, filed Aug. 31, 2012.  
U.S. Appl. No. 29/431,158, Dunn, filed Sep. 4, 2012.  
U.S. Appl. No. 29/431,159, Dunn, filed Sep. 4, 2012.  
U.S. Appl. No. 29/431,160, Dunn, filed Sep. 4, 2012.  
U.S. Appl. No. 29/431,161, Dunn, filed Sep. 4, 2012.  
U.S. Appl. No. 29/431,449, Dunn, filed Sep. 7, 2012.  
Fiber Network Tools, <http://www.fibernetnetworktools.com/catalog2.php>, FNT Cables and Assemblies, Accessed Nov. 26, 2010.  
NELCO Products Incorporated, <http://www.nelcoproducts.com>, NELCO Blank Flag Tie Markets, Accessed Nov. 26, 2010.  
Stick'nGo, <http://stickngo.com.au>, Stick'nGo Cables Label, Accessed Nov. 26, 2010.  
Sunlec International, <http://www.sunlec.com.au>, Sunlec International Cable Sleeves, Accessed Nov. 26, 2010.  
The Cable Label Co., <http://www.thecablelabelco.co.uk/buy.php>, Buy Cable Bug Labels in Bags, Accessed Nov. 26, 2010.  
The Storage Store, <http://www.thestoragelabel.com>, Computer Cable Flags, Accessed Nov. 26, 2010.  
Requirement for Restriction/Election entered by the U.S. Patent and Trademark Office on Sep. 21, 2011 for U.S. Appl. No. 29/394,588, filed Jun. 18, 2011 (5 pages).  
Response to Election/Restriction Filed entered by the U.S. Patent and Trademark Office on Nov. 21, 2011 for U.S. Appl. No. 29/394,588, filed Jun. 18, 2011 (2 pages).  
Notice of Allowance entered by the U.S. Patent and Trademark Office on Jan. 6, 2012 for U.S. Appl. No. 29/394,588, filed Jun. 18, 2011 (8 pages).  
Issue Notification entered by the U.S. Patent and Trademark Office on Jan. 11, 2012 for U.S. Appl. No. 29/394,588, filed Jun. 18, 2011 (1 page).  
Notice of Allowance entered by the U.S. Patent and Trademark Office on Sep. 20, 2011 for U.S. Appl. No. 29/394,589, filed Jun. 18, 2011 (First Named Inventor-Dunn) (7 pages).  
Supplemental Notice of Allowability entered by the U.S. Patent and Trademark Office on Nov. 14, 2011 for U.S. Appl. No. 29/394,589, filed Jun. 18, 2011 (4 pages).  
Issue Notification entered by the U.S. Patent and Trademark Office on Jan. 11, 2012 for U.S. Appl. No. 29/394,589, filed Jun. 18, 2011 (1 page).  
Notice of Allowance entered by the U.S. Patent and Trademark Office on Sep. 23, 2011 for U.S. Appl. No. 29/394,590, filed Jun. 18, 2011 (7 pages).  
Supplemental Notice of Allowability entered by the U.S. Patent and Trademark Office on Oct. 25, 2011 for U.S. Appl. No. 29/394,590, filed Jun. 18, 2011 (2 pages).  
Issue Notification entered by the U.S. Patent and Trademark Office on Jan. 4, 2012 for U.S. Appl. No. 29/394,590, filed Jun. 18, 2011 (1 page).  
Notice of Allowance entered by the U.S. Patent and Trademark Office on Sep. 19, 2011 for U.S. Appl. No. 29/394,591, filed Jun. 18, 2011 (7 pages).  
Supplemental Notice of Allowability entered by the U.S. Patent and Trademark Office on Oct. 12, 2011 for U.S. Appl. No. 29/394,591, filed Jun. 18, 2011 (2 pages).  
Issue Notification entered by the U.S. Patent and Trademark Office on Jan. 11, 2012 for U.S. Appl. No. 29/394,591, filed Jun. 18, 2011 (1 page).





(56)

**References Cited**

OTHER PUBLICATIONS

Non-Final Office Action entered on Mar. 1, 2013 for U.S. Appl. No. 29/431,054, filed Aug. 31, 2012 (7 pages).  
Notice of Allowance and Fees Due entered on Mar. 12, 2013 for U.S. Appl. No. 29/431,049, filed Aug. 31, 2012 (7 pages).  
Notice of Allowance and Fees Due entered on Mar. 6, 2013 for U.S. Appl. No. 29/431,052, filed Aug. 31, 2012 (7 pages).  
Non-Final Office Action entered Mar. 1, 2013 for U.S. Appl. No. 29/431,159, filed Sep. 4, 2012 (5 pages).  
Non-Final Office Action entered Mar. 19, 2013 for U.S. Appl. No. 29/431,160, filed Sep. 4, 2012 (5 pages).  
Non-Final Office Action entered Mar. 1, 2013 for U.S. Appl. No. 29/431,161, filed Sep. 4, 2012 (5 pages).  
U.S. Appl. No. 29/411,282, filed Jan. 19, 2012, Dunn.  
U.S. Appl. No. 29/411,283, filed Jan. 19, 2012, Dunn.

U.S. Appl. No. 29/411,284, filed Jan. 19, 2012, Dunn.  
U.S. Appl. No. 29/411,309, filed Jan. 19, 2012, Dunn.  
U.S. Appl. No. 29/411,315, filed Jan. 19, 2012, Dunn.  
U.S. Appl. No. 61/439,606, filed Feb. 4, 2011, Dunn.  
U.S. Appl. No. 29/431,036, filed Aug. 31, 2012, Dunn.  
U.S. Appl. No. 29/431,030, filed Aug. 31, 2012, Dunn.  
U.S. Appl. No. 29/431,054, filed Aug. 31, 2012, Dunn.  
U.S. Appl. No. 29/431,049, filed Aug. 31, 2012, Dunn.  
Notice of Allowance and Fees Due entered on Mar. 27, 2013 for U.S. Appl. No. 29/411,283, filed Jan. 19, 2012 (6 pages).  
Notice of Allowance and Fees Due entered on Apr. 1, 2013 for U.S. Appl. No. 29/411,315, filed Jan. 19, 2012 (6 pages).  
Amendment After Final entered on Mar. 27, 2013 for U.S. Appl. No. 29/431,031, filed Aug. 31, 2012 (3 pages).  
Supplemental Notice of Allowability entered on May 20, 2013 for U.S. Appl. No. 29/431,031, filed Aug. 31, 2012 (2 pages).

\* cited by examiner

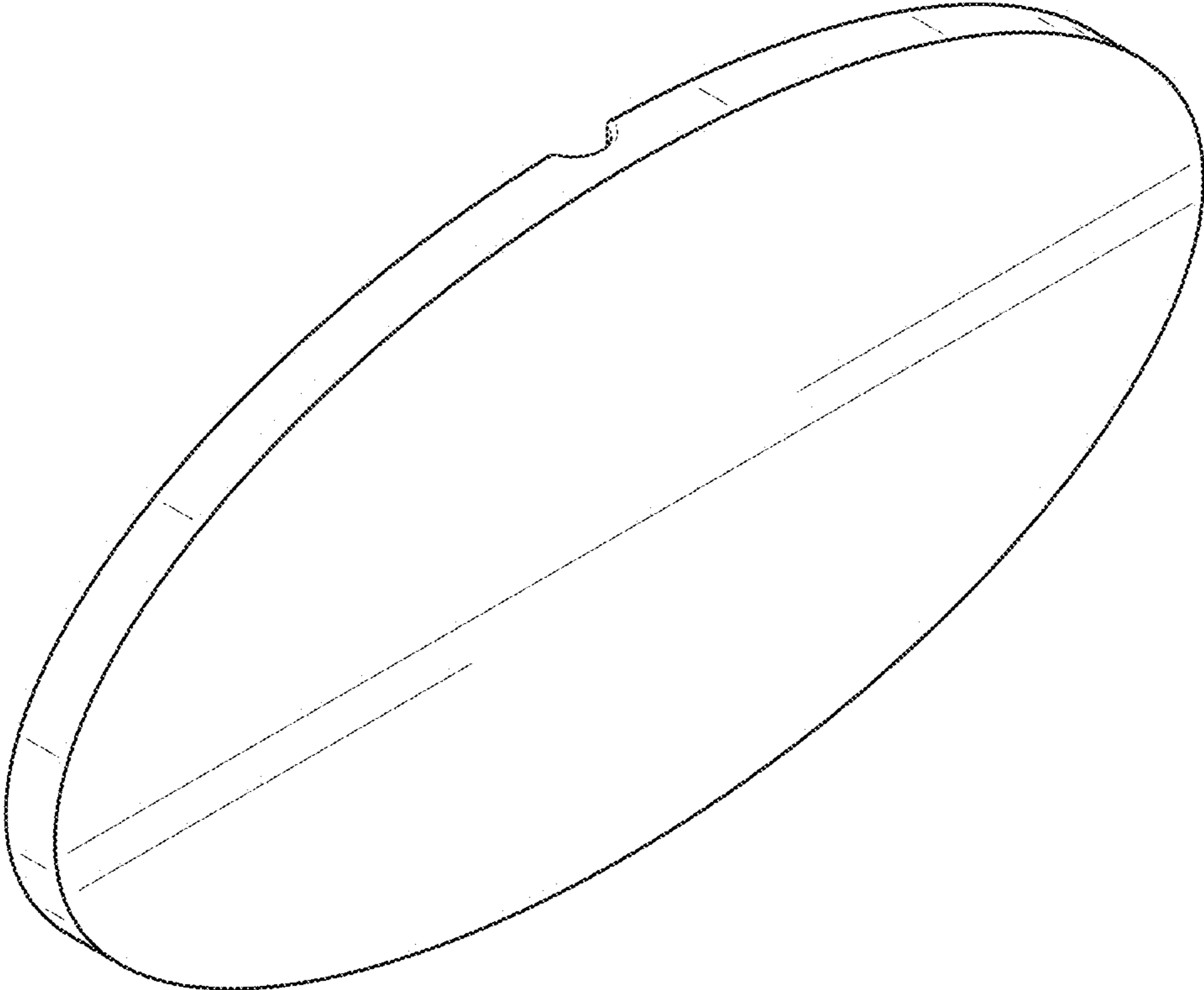


FIG. 1

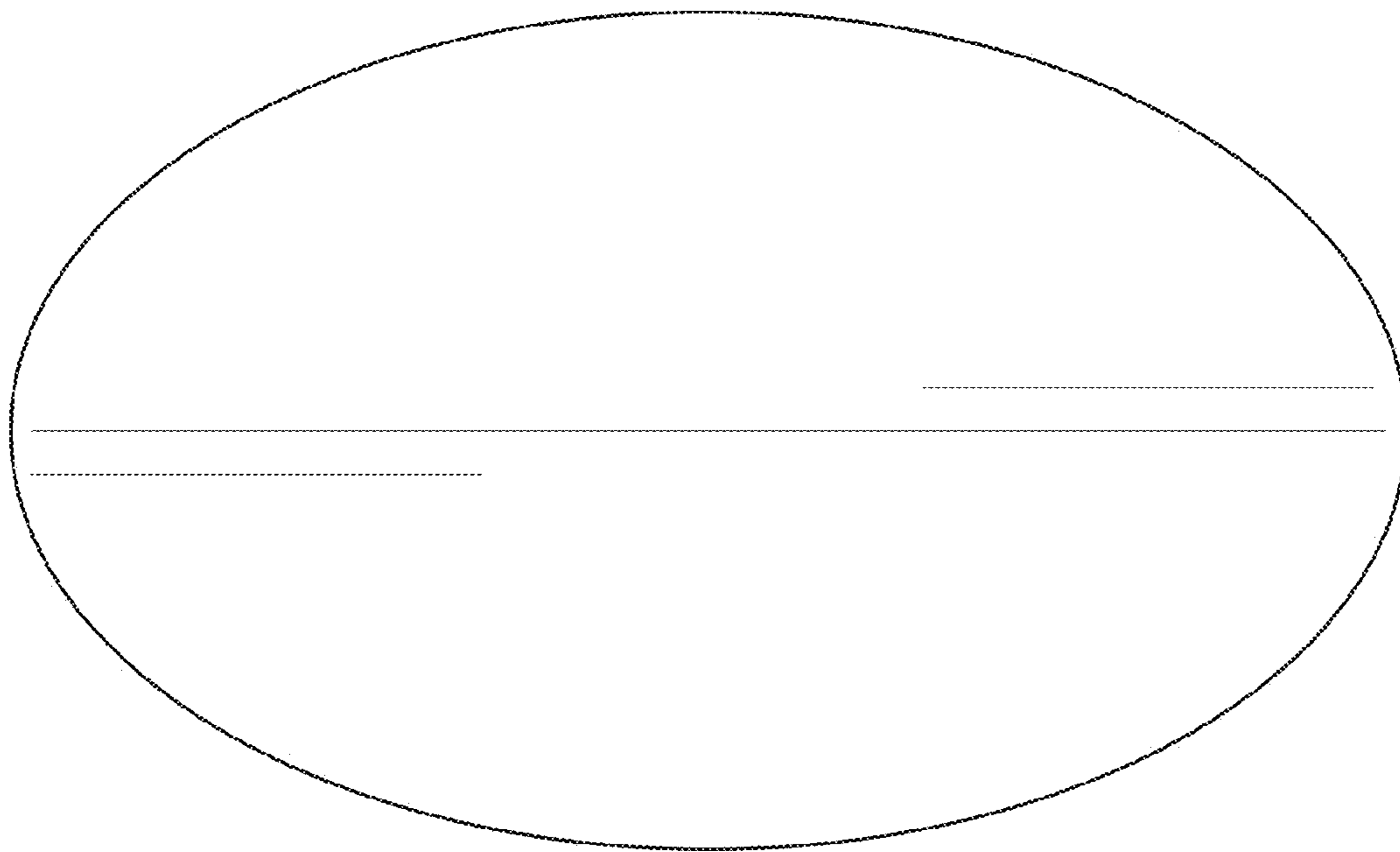


FIG. 2



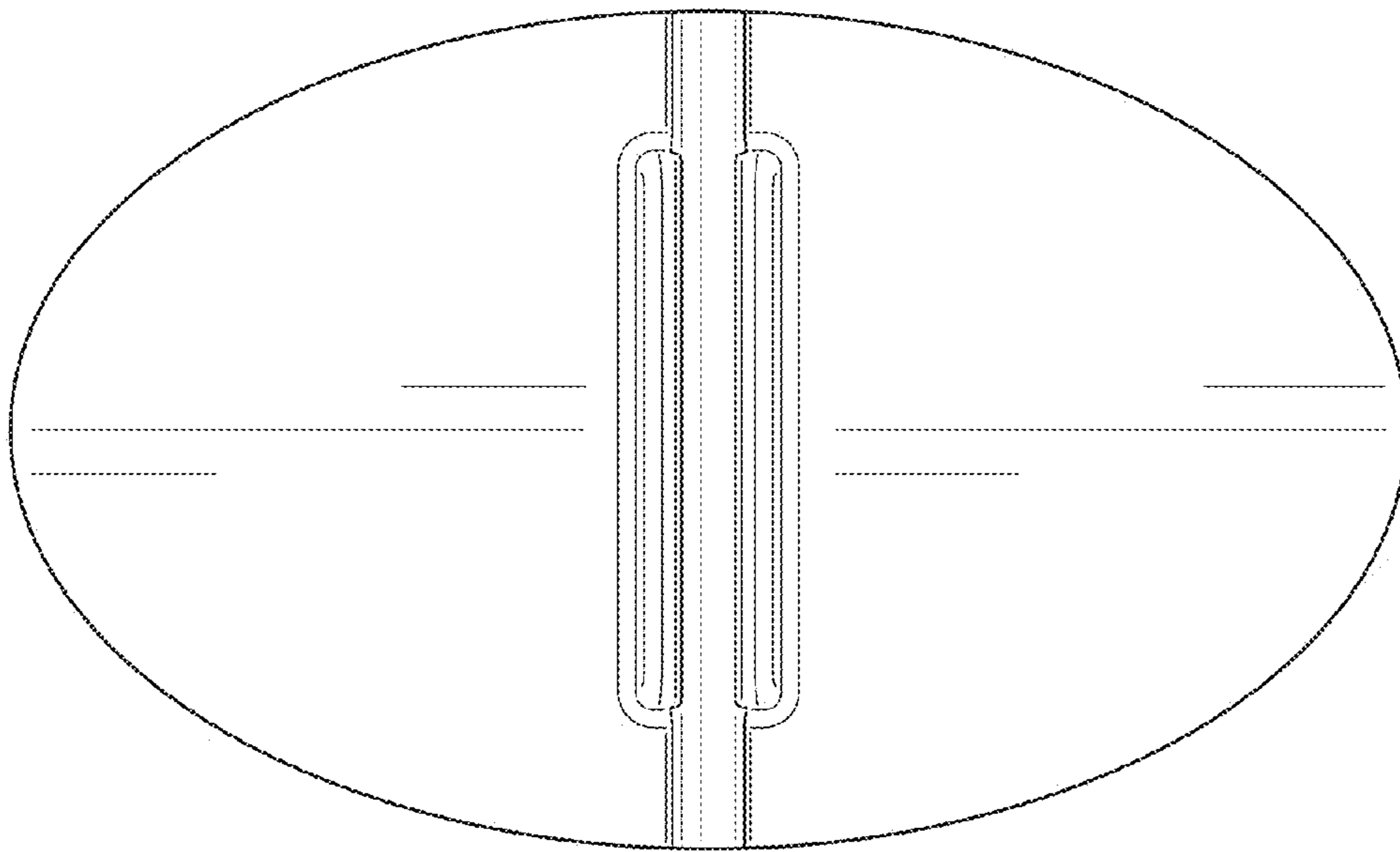


FIG. 3

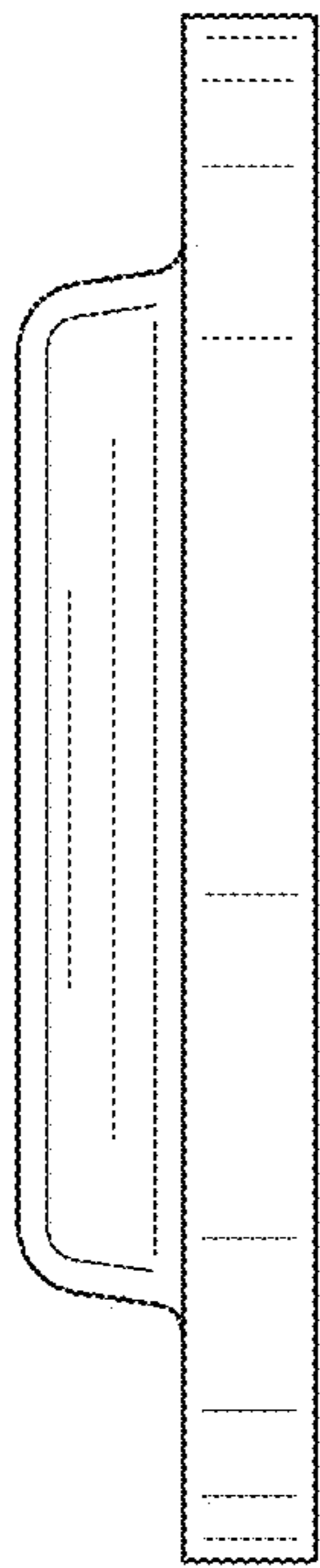


FIG. 4

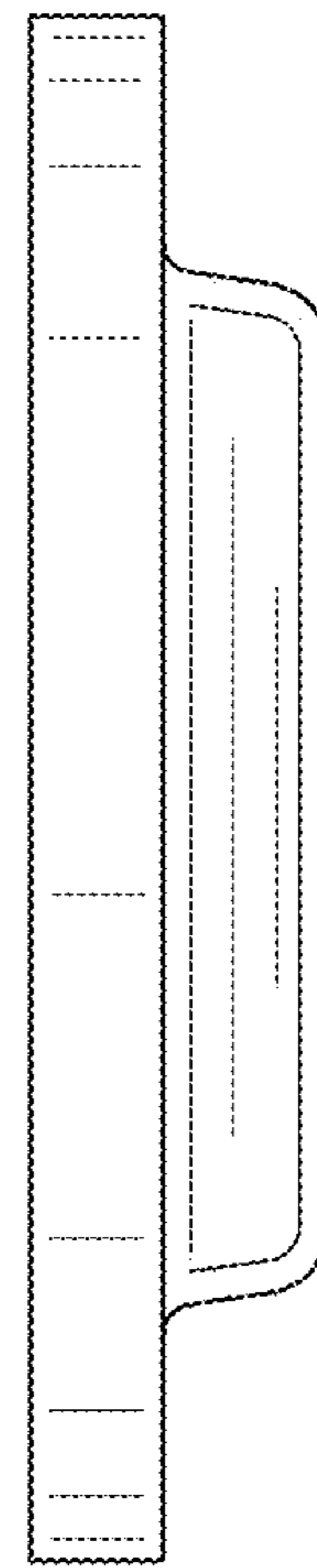


FIG. 5

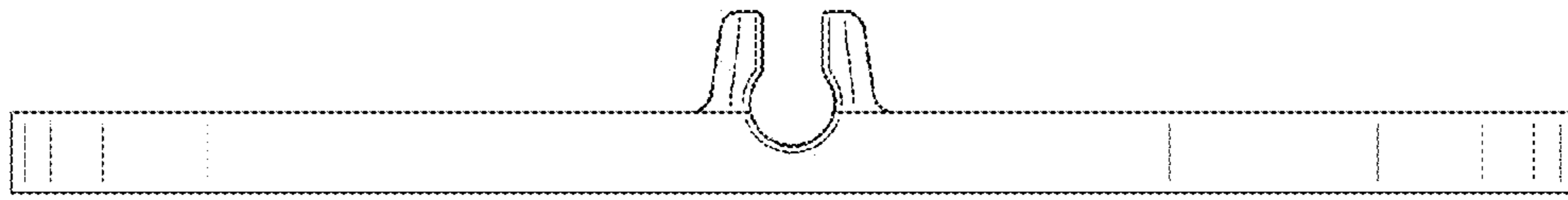


FIG. 6

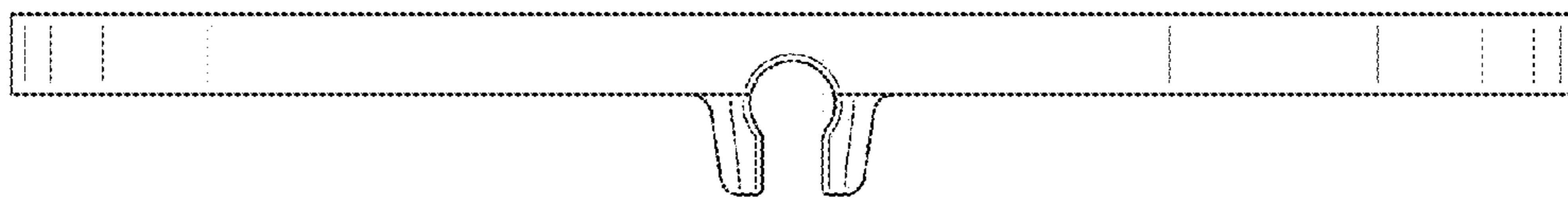


FIG. 7

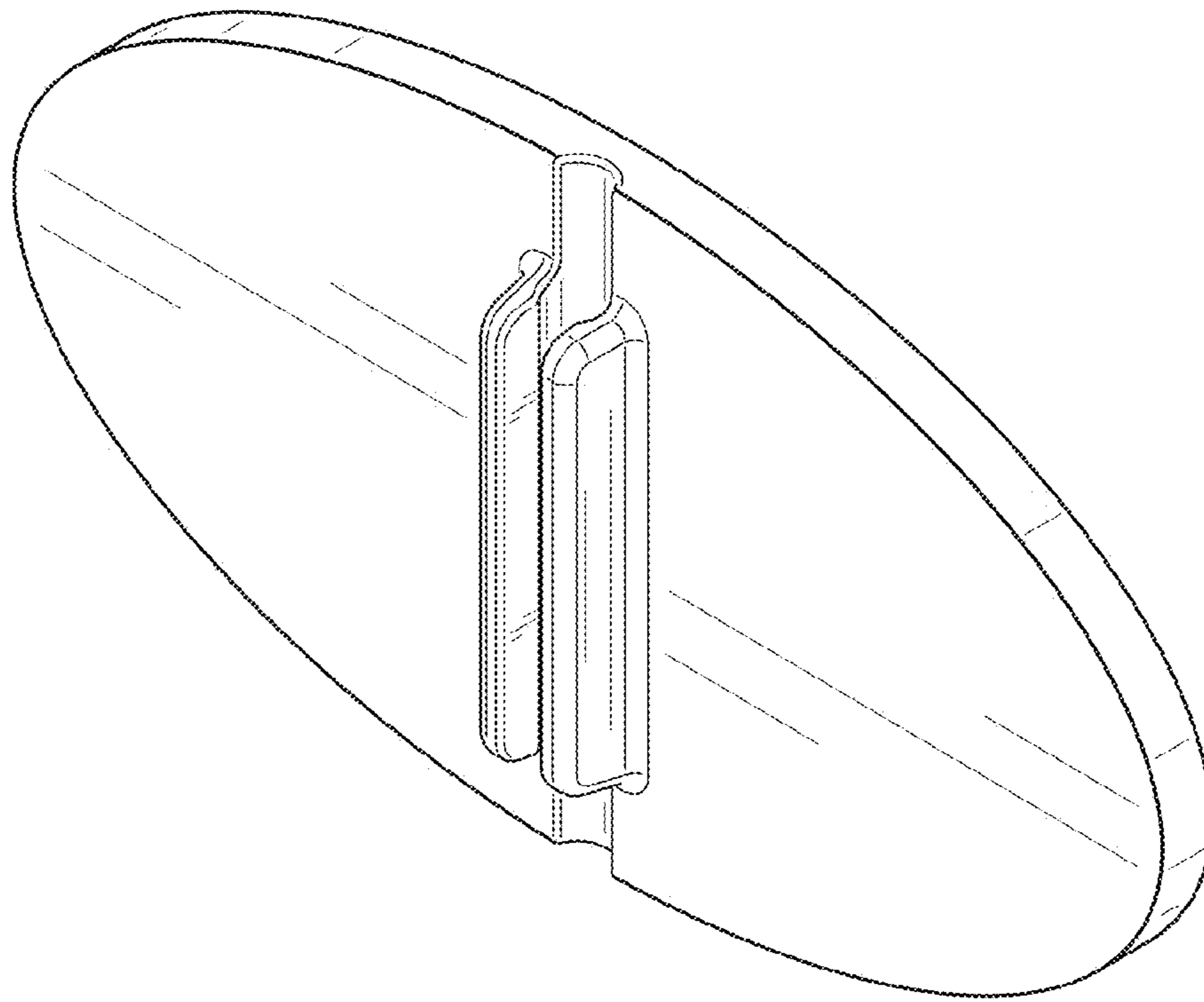


FIG. 8