



US00D693730S

(12) **United States Design Patent**  
**Zak et al.**

(10) **Patent No.:** **US D693,730 S**

(45) **Date of Patent:** **\*\* Nov. 19, 2013**

(54) **FLOWERPOT**

(75) Inventors: **Zvi Zak**, Herzliya (IL); **Alon Blumenzweig**, Tel-Aviv (IL); **Nathalie Toledano-Oved**, Tel-Aviv (IL); **Ayala Bougay**, Kefar Veradim (IL); **Ron Eyal**, Jerusalem (IL)

(73) Assignee: **Keter Plastic Ltd.**, Herzelyia (IL)

(\*\*) Term: **14 Years**

(21) Appl. No.: **29/420,591**

(22) Filed: **May 10, 2012**

(30) **Foreign Application Priority Data**

Nov. 14, 2011 (EM) ..... 1946963

(51) **LOC (9) Cl.** ..... **11-02**

(52) **U.S. Cl.**  
USPC ..... **D11/148**; D11/152

(58) **Field of Classification Search**  
USPC ..... D6/403-405, 556-558; D8/1; D11/143-156, 164; D19/77, 80, 81, D19/84; D25/100; D26/9-11, 16, 19; D34/1, 2, 4-6; D99/5, 19; 47/17, 32.4, 47/32.5, 33, 39, 41.01, 41.1, 41.11-41.15, 47/44-47, 65, 65.5, 65.9, 66.1, 66.6, 66.7, 47/67-71

See application file for complete search history.

(56) **References Cited**

U.S. PATENT DOCUMENTS

4,170,089 A *	10/1979	Smrt	47/67
D273,430 S *	4/1984	Salinas	D30/130
D322,522 S *	12/1991	Ferris	D6/405
D366,855 S *	2/1996	Deelen	D11/152
D389,011 S *	1/1998	DeCoster	D7/387
D400,823 S *	11/1998	Bagshaw	D11/152
D453,488 S *	2/2002	McCauley	D11/152
D515,184 S *	2/2006	Beall	D11/148
D524,691 S *	7/2006	Caruso	D11/152
D559,472 S *	1/2008	Abinanti et al.	D30/129
D598,224 S *	8/2009	Zanini	D6/510
D657,612 S *	4/2012	Cloutier et al.	D7/354
D669,814 S *	10/2012	Plucinski	D11/152

\* cited by examiner

*Primary Examiner* — Garth Rademaker

(74) *Attorney, Agent, or Firm* — Vorys, Sater, Seymour and Pease LLP; Susanne M. Hopkins; William L. Klima

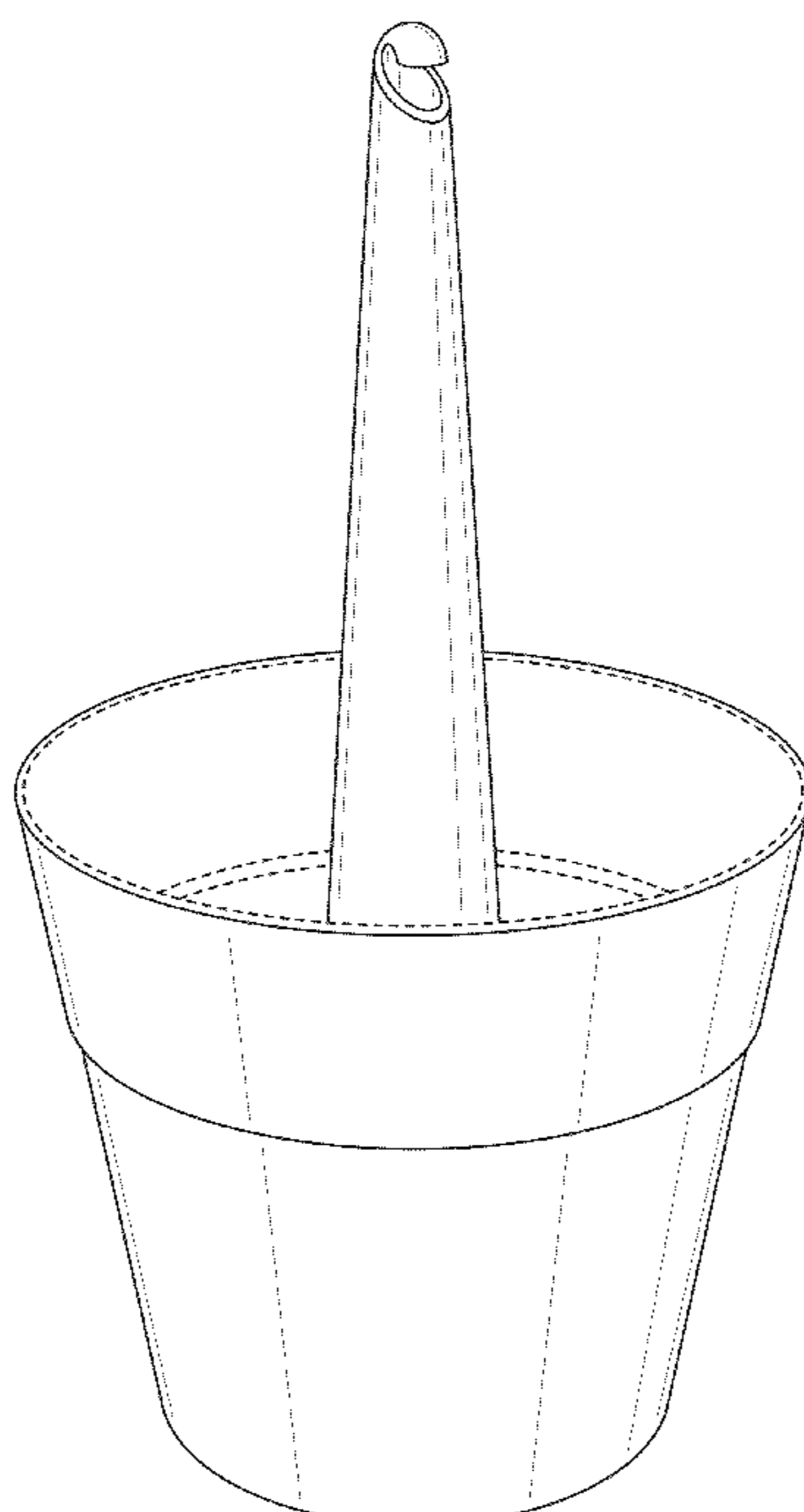
(57) **CLAIM**

The ornamental design for a flowerpot, as shown and described.

**DESCRIPTION**

FIG. 1 is a front perspective view of a flowerpot; FIG. 2 is a front perspective view thereof; FIG. 3 is a side perspective/elevational view thereof, the opposite side being a mirror image thereof; FIG. 4 is a top plan view thereof; and, FIG. 5 is a front perspective view thereof, shown in a string of multiple copies of the design. The broken lines in FIGS. 1-4 depict portions of the flowerpot which form no part of the claimed design. The broken lines in FIG. 5 depict multiple copies of the design which are environmental and form no part of the claimed design.

**1 Claim, 5 Drawing Sheets**



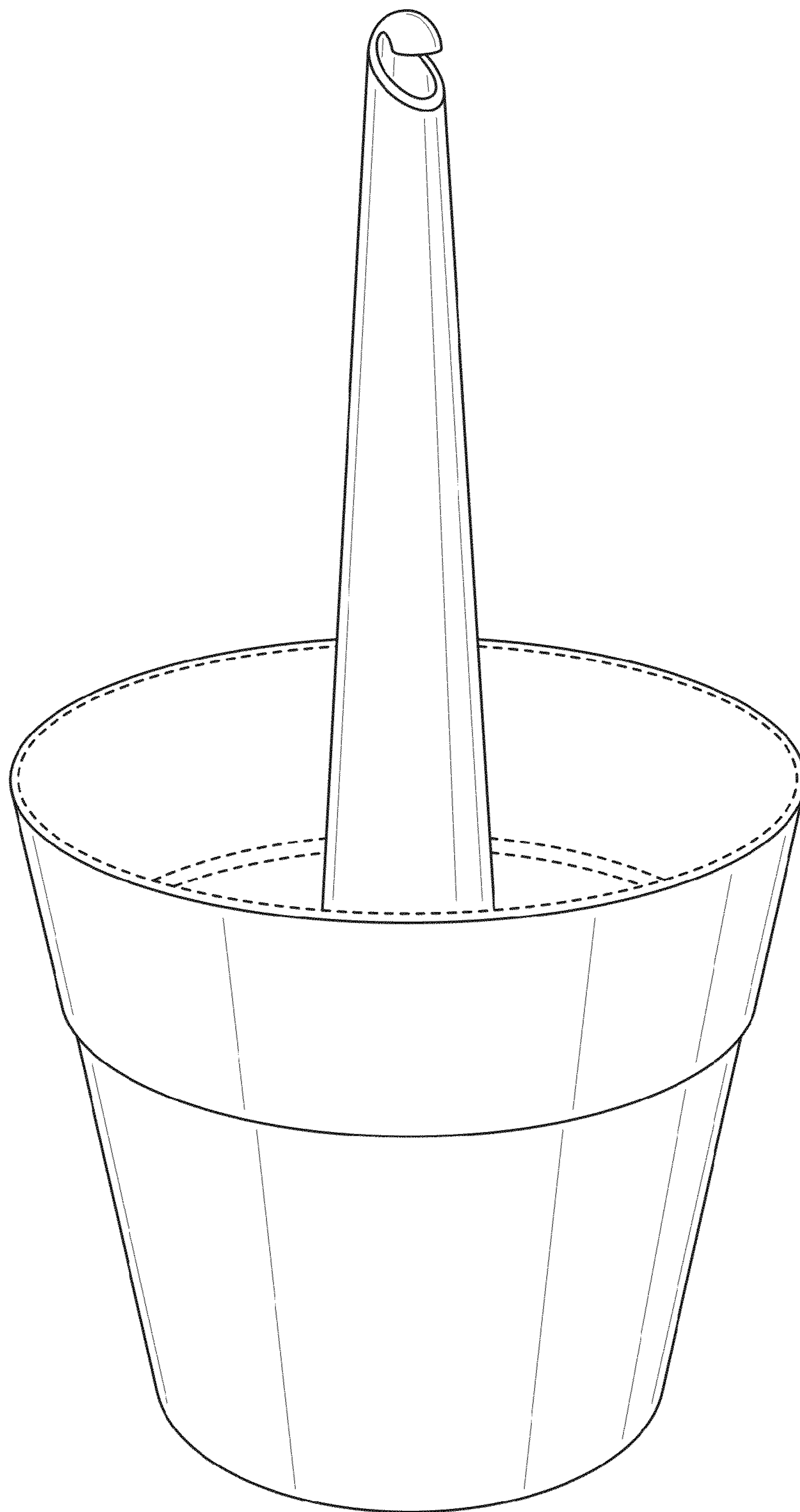


FIG. 1

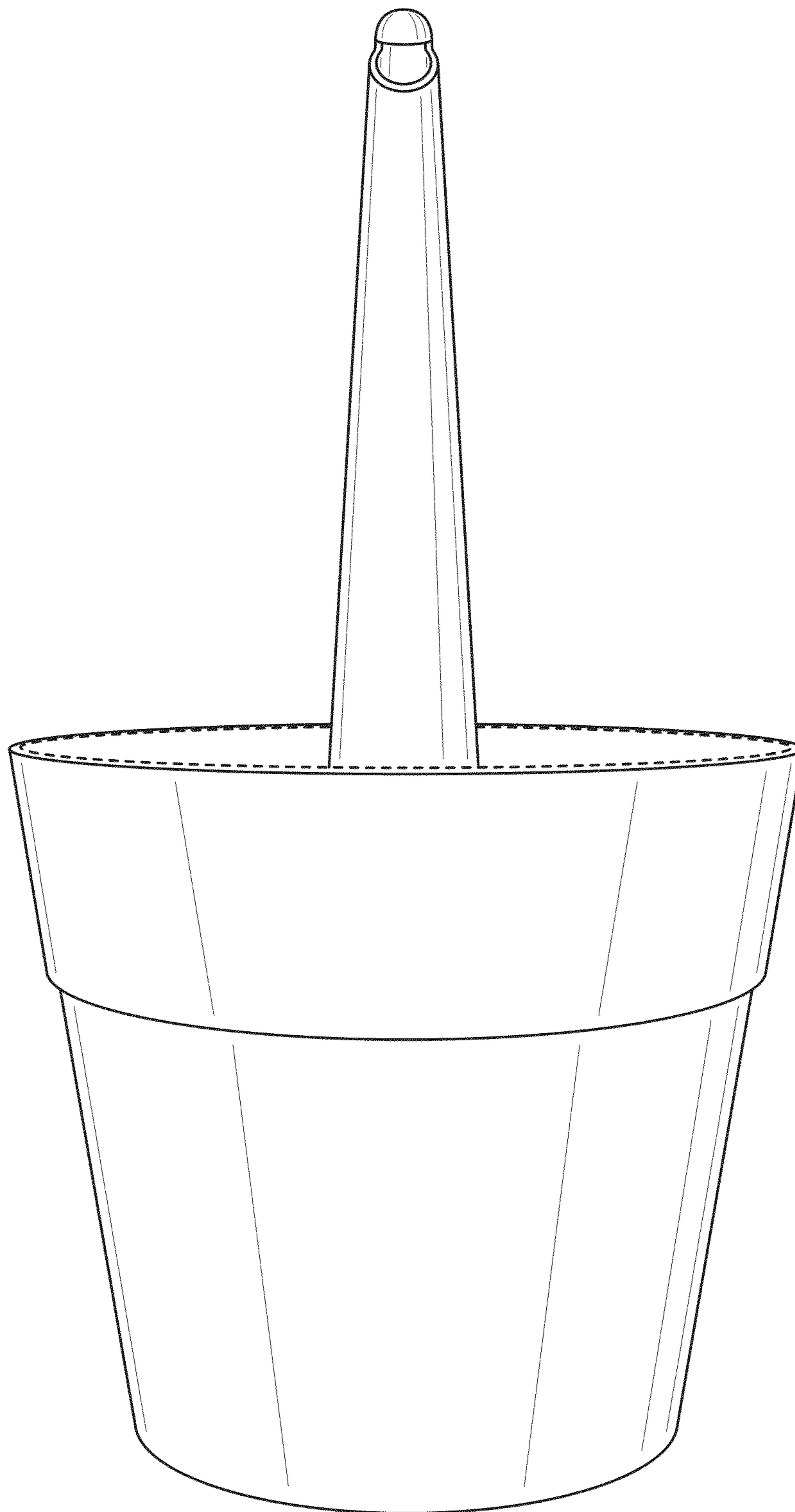


FIG. 2

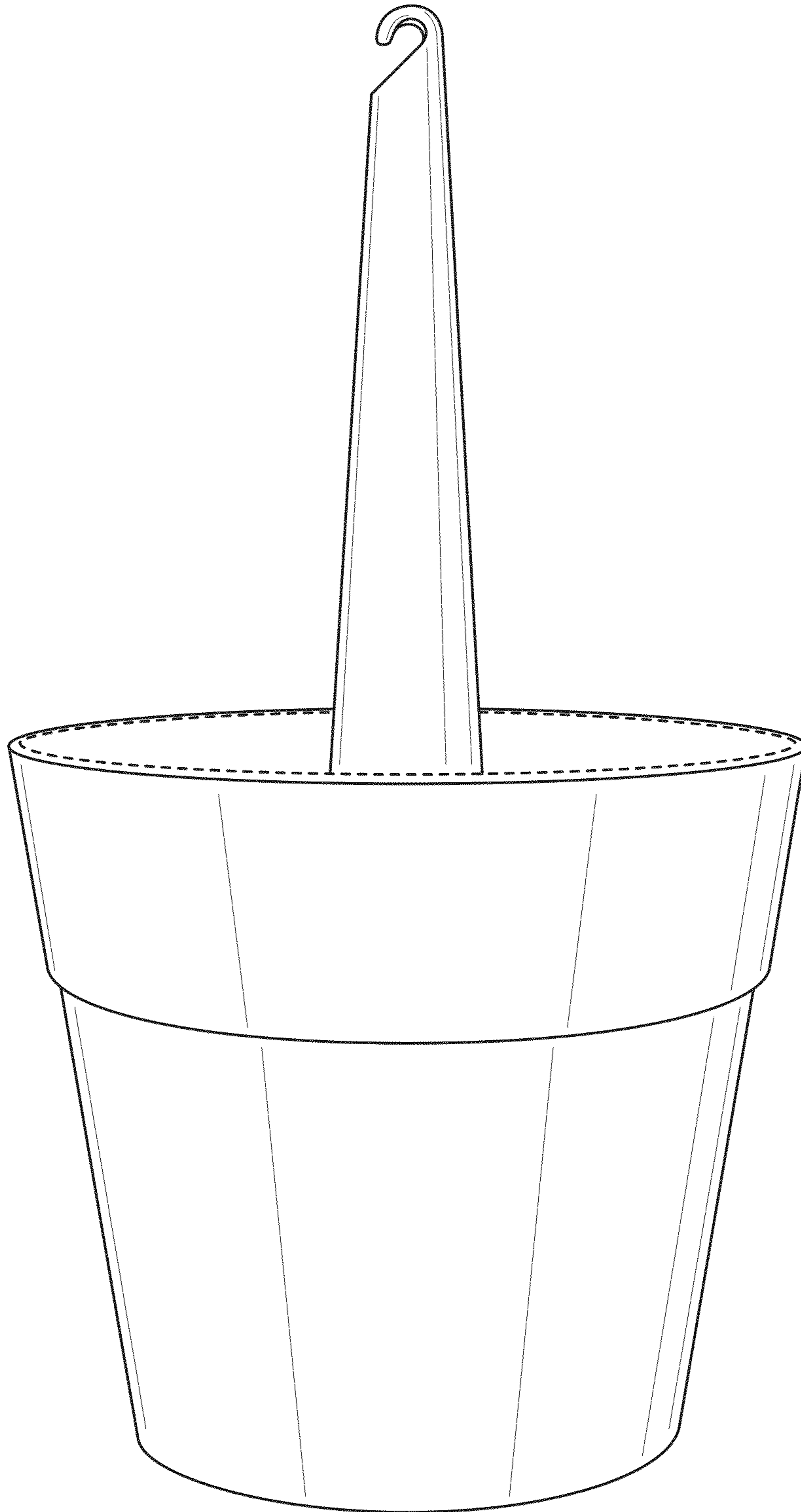


FIG. 3

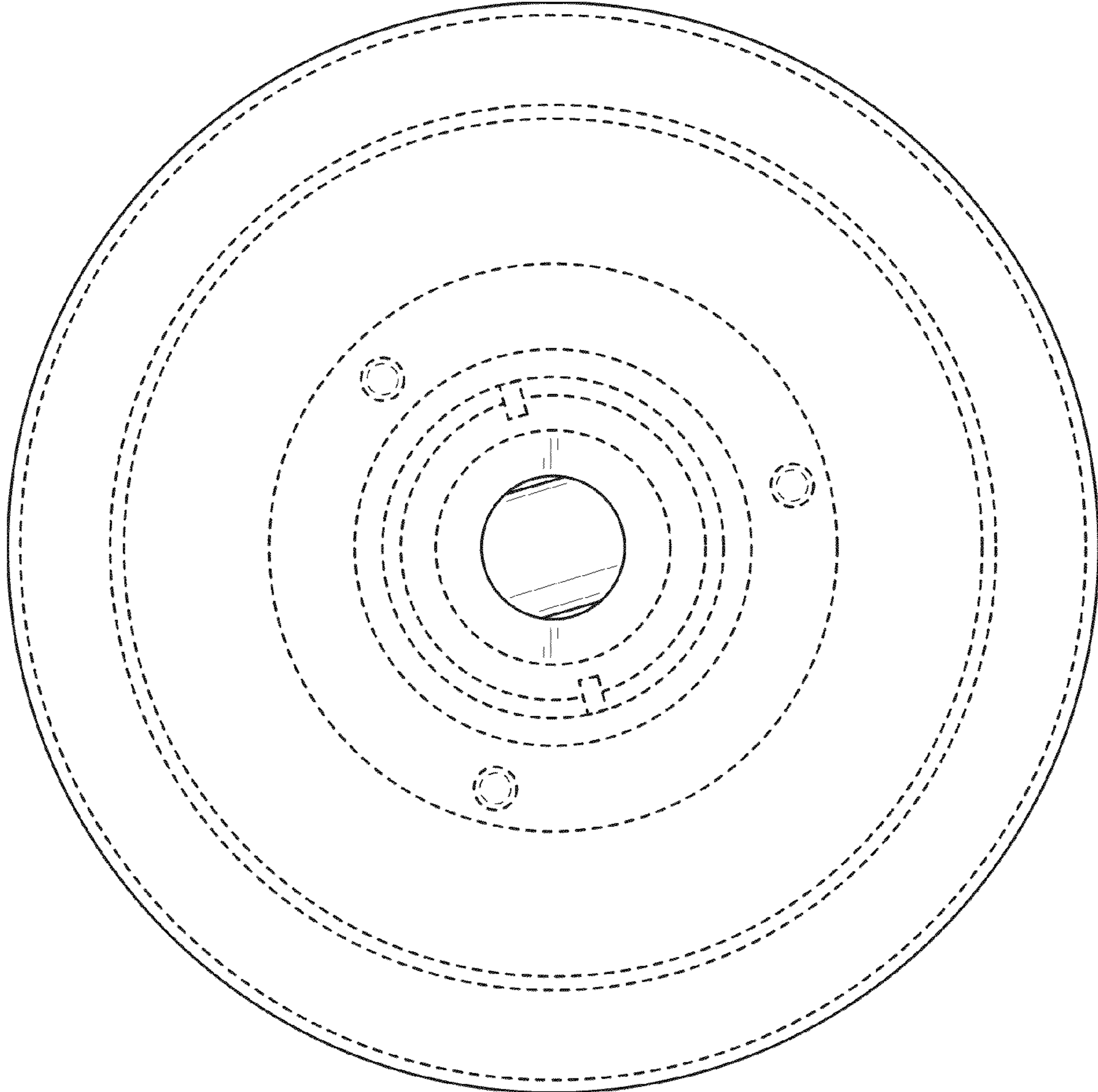


FIG. 4

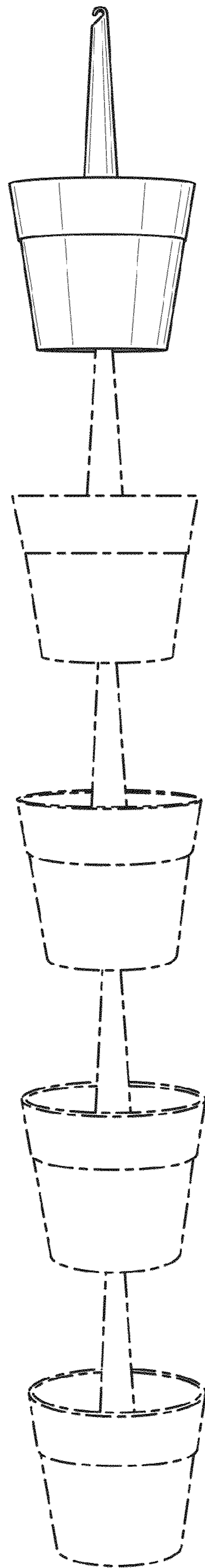


FIG. 5