



US00D693723S

(12) **United States Design Patent**
Papadimitriou

(10) **Patent No.:** **US D693,723 S**
(45) **Date of Patent:** **** Nov. 19, 2013**

(54) **PENDANT**

- (75) Inventor: **Costantino Papadimitriou**, Milan (IT)
- (73) Assignee: **De Beers Centenary AG**, Lucerne (CH)
- (**) Term: **14 Years**
- (21) Appl. No.: **29/427,849**
- (22) Filed: **Jul. 23, 2012**

Related U.S. Application Data

- (62) Division of application No. 29/400,910, filed on Sep. 2, 2011, now Pat. No. Des. 666,118.

Foreign Application Priority Data

- Mar. 4, 2011 (EM) 001831181
- (51) **LOC (9) Cl.** **11-01**
- (52) **U.S. Cl.**
USPC **D11/79; D11/43**
- (58) **Field of Classification Search**
USPC D11/79-85, 89-91, 40-48, 1-8;
63/26-28, 12-14, 3, 3.1, 3.2
See application file for complete search history.

References Cited

U.S. PATENT DOCUMENTS

- 1,732,250 A * 10/1929 Wehse 63/14.2
- D138,956 S * 10/1944 Karples D11/43

(Continued)

Primary Examiner — Jennifer Rivard

Assistant Examiner — Melanie Pellegrini

(74) *Attorney, Agent, or Firm* — Dentons US LLP; Brian R. McGinley

CLAIM

(57) The ornamental design for an pendant, as shown and described.

DESCRIPTION

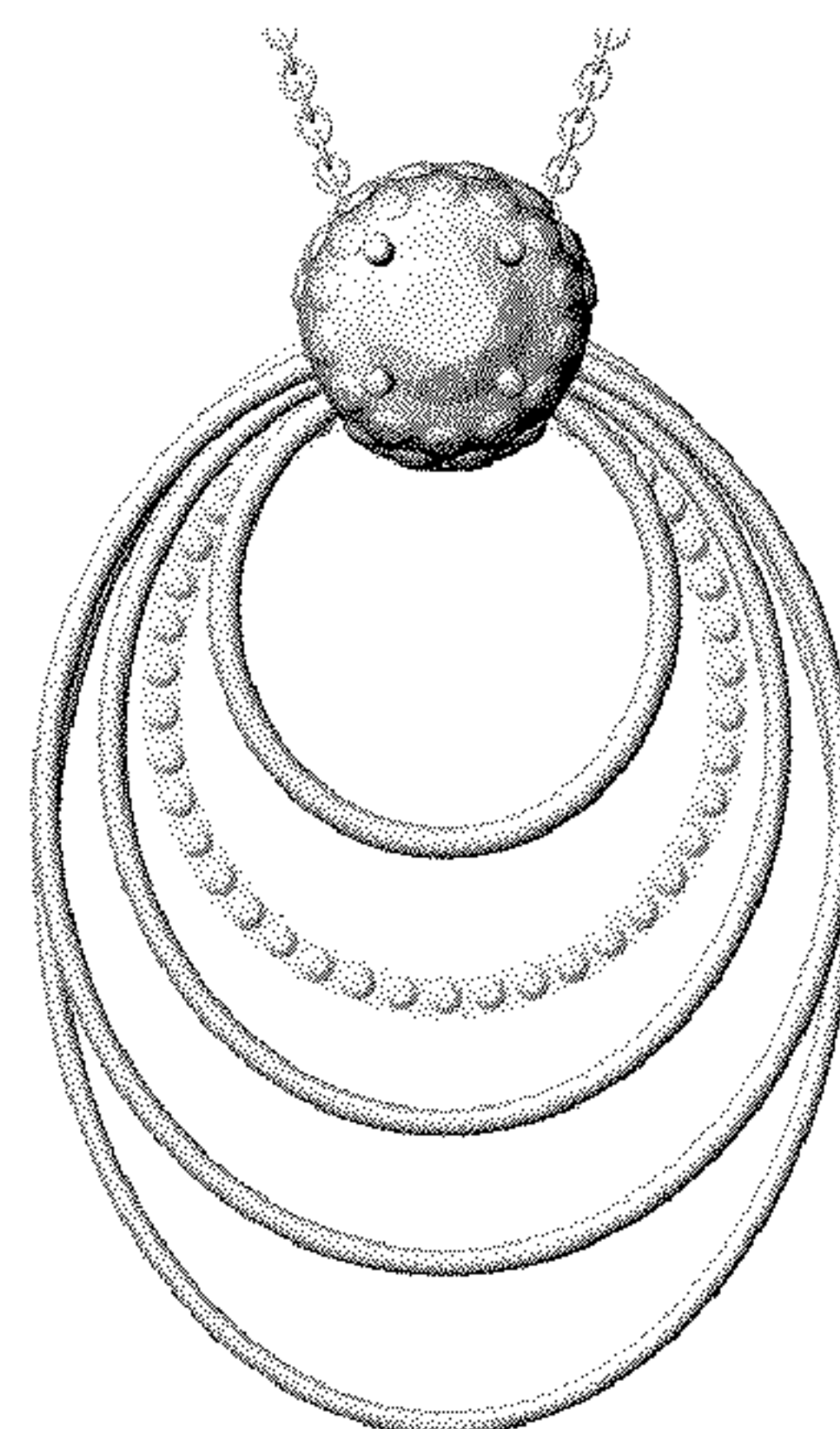
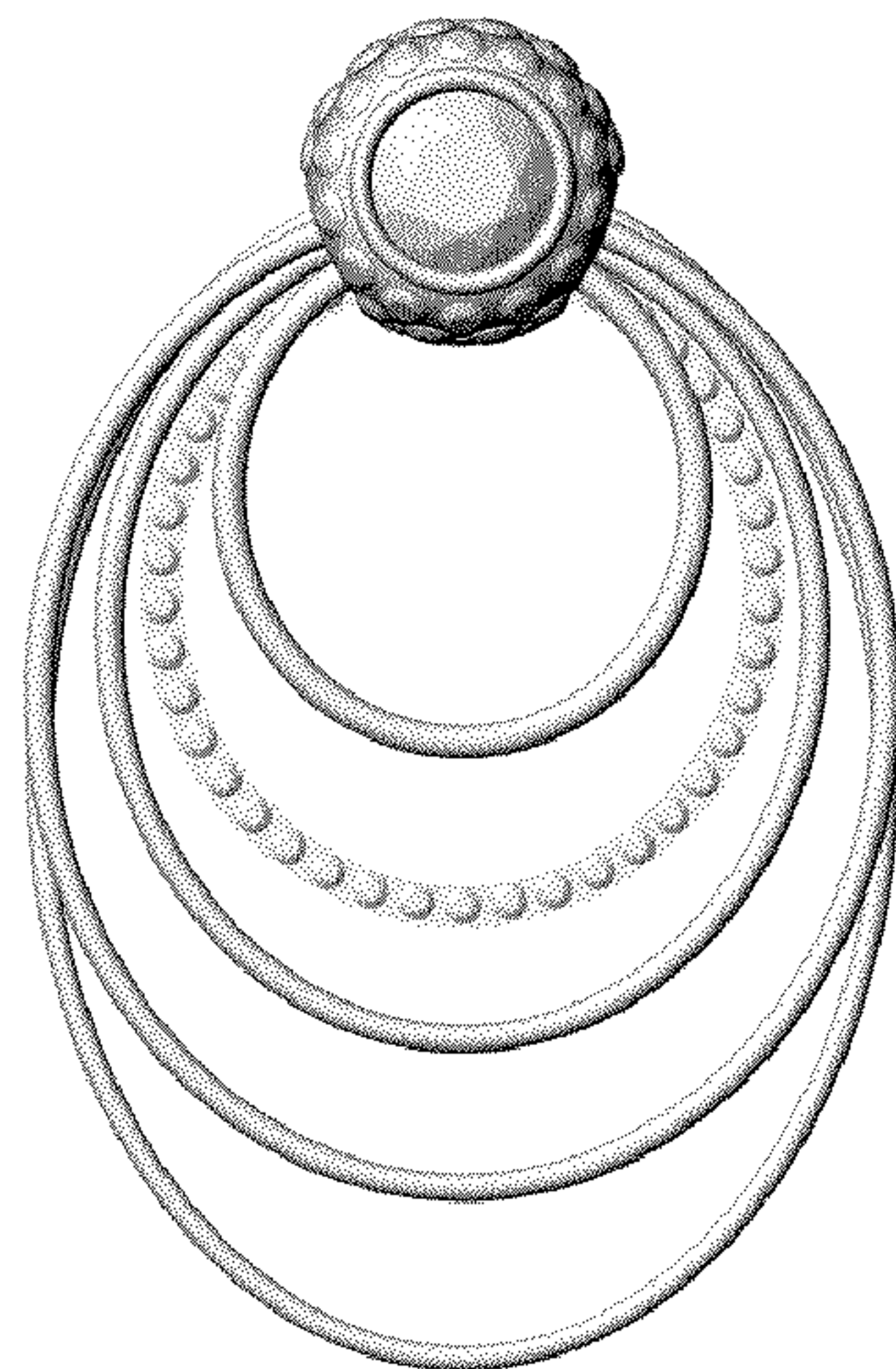
FIG. 1 is a top view of a first embodiment of the pendant; FIG. 2 is a bottom view of the pendant illustrated in FIG. 1; FIG. 3 is a right elevational view of the pendant illustrated in FIG. 1; FIG. 4 is a left elevational view of the pendant illustrated in FIG. 1; FIG. 5 is a front view of the pendant illustrated in FIG. 1; FIG. 6 is a rear view of the pendant illustrated in FIG. 1; FIG. 7 is a perspective view of the pendant illustrated in FIG. 1

FIG. 8 is a top view of a second embodiment of the pendant; FIG. 9 is a bottom view of the pendant illustrated in FIG. 8; FIG. 10 is a right elevational view of the pendant illustrated in FIG. 8; FIG. 11 is a left elevational view of the pendant illustrated in FIG. 8; FIG. 12 is a front view of the pendant illustrated in FIG. 8; FIG. 13 is a rear view of the pendant illustrated in FIG. 8; FIG. 14 is a perspective view of the pendant illustrated in FIG. 8

FIG. 15 is a top view of a third embodiment of the pendant; FIG. 16 is a bottom view of the pendant illustrated in FIG. 15; FIG. 17 is a left elevational view of the pendant illustrated in FIG. 15; FIG. 18 is a right elevational view of the pendant illustrated in FIG. 15; FIG. 19 is a front view of the pendant illustrated in FIG. 15; FIG. 20 is a rear view of the pendant illustrated in FIG. 15; FIG. 21 is a perspective view of the pendant illustrated in FIG. 15;

FIG. 22 is a top view of a fourth embodiment of the pendant; FIG. 23 is a bottom view of the pendant illustrated in FIG. 22; FIG. 24 is a right elevational view of the pendant illustrated in FIG. 22; FIG. 25 is a left elevational view of the pendant illustrated in FIG. 22; FIG. 26 is a front view of the pendant illustrated in FIG. 22; FIG. 27 is a rear view of the pendant illustrated in FIG. 22; and, FIG. 28 is a perspective view of the pendant illustrated in FIG. 22.

1 Claim, 20 Drawing Sheets



(56)

References Cited

U.S. PATENT DOCUMENTS

D248,380 S * 7/1978 Burchett D11/43
 D308,348 S * 6/1990 Leopoldi D11/43
 D455,097 S * 4/2002 Salvarani D11/79
 6,688,507 B2 * 2/2004 McCormack 224/604
 D497,322 S * 10/2004 Gruosi-Scheufele D11/79
 7,121,117 B2 * 10/2006 Gruosi-Scheufele 63/1.14
 D542,696 S * 5/2007 Cilluffo D11/40
 D586,685 S * 2/2009 Grassi Damiani D11/16
 D625,640 S * 10/2010 Sivriere D11/1
 D636,696 S * 4/2011 Lebail D11/43
 D637,103 S * 5/2011 Lebail D11/43

D658,090 S * 4/2012 Papadimitriou D11/43
 D659,047 S * 5/2012 Papadimitriou D11/79
 D659,583 S * 5/2012 Papadimitriou D11/43
 D660,744 S * 5/2012 Papadimitriou D11/43
 D660,745 S * 5/2012 Papadimitriou D11/43
 D661,219 S * 6/2012 Papadimitriou D11/43
 D661,220 S * 6/2012 Papadimitriou D11/79
 D665,298 S * 8/2012 Papadimitriou D11/43
 D665,694 S * 8/2012 Papadimitriou D11/79
 D665,695 S * 8/2012 Papadimitriou D11/79
 D666,118 S * 8/2012 Papadimitriou D11/79
 D673,070 S * 12/2012 Papadimitriou D11/43
 D678,807 S * 3/2013 Grassi Damiani D11/79

* cited by examiner

FIG. 1

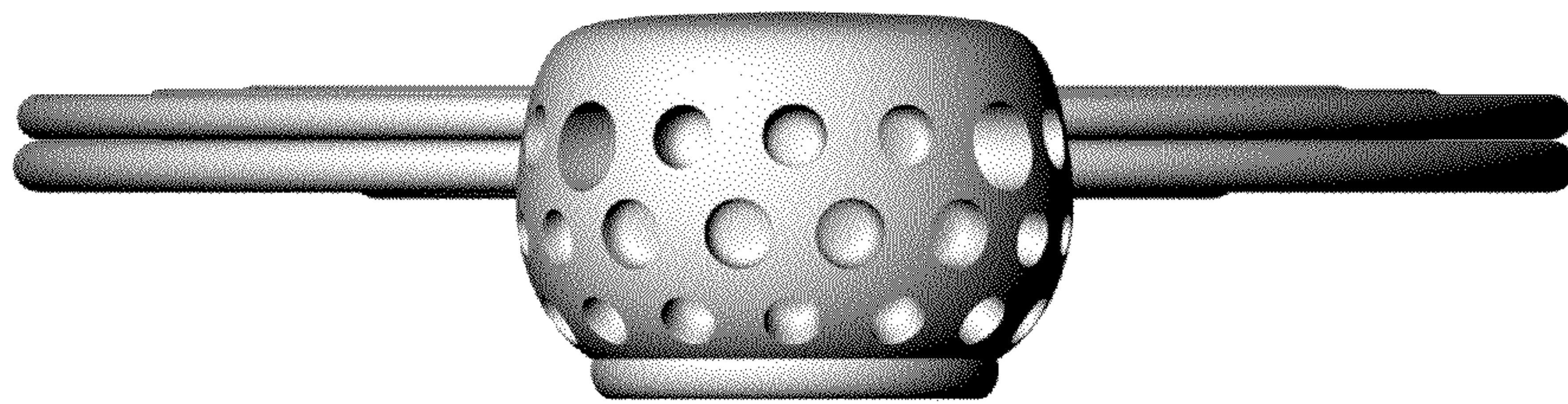


FIG. 2

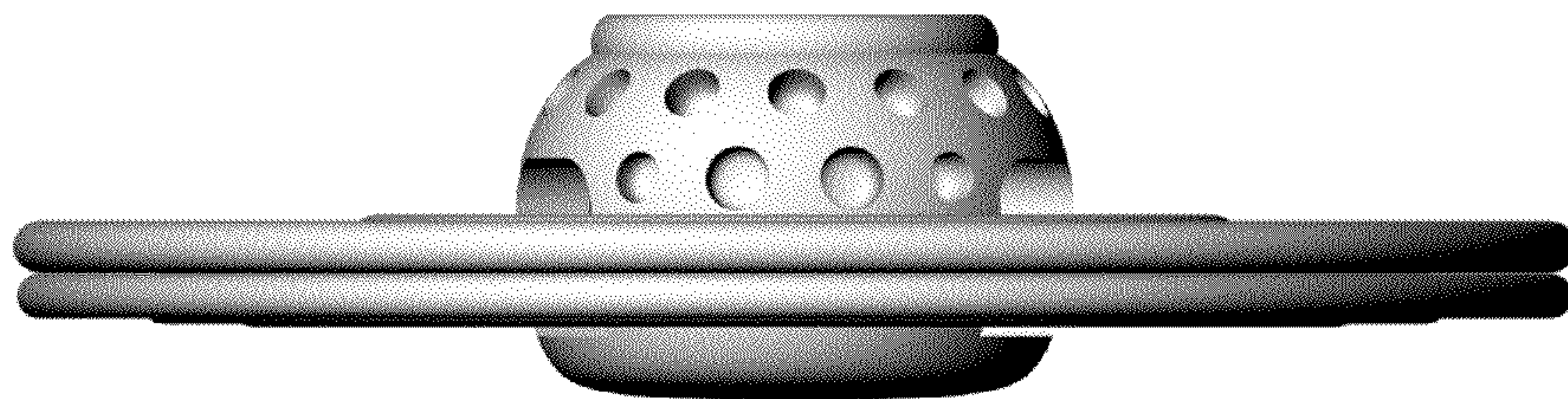


FIG. 3

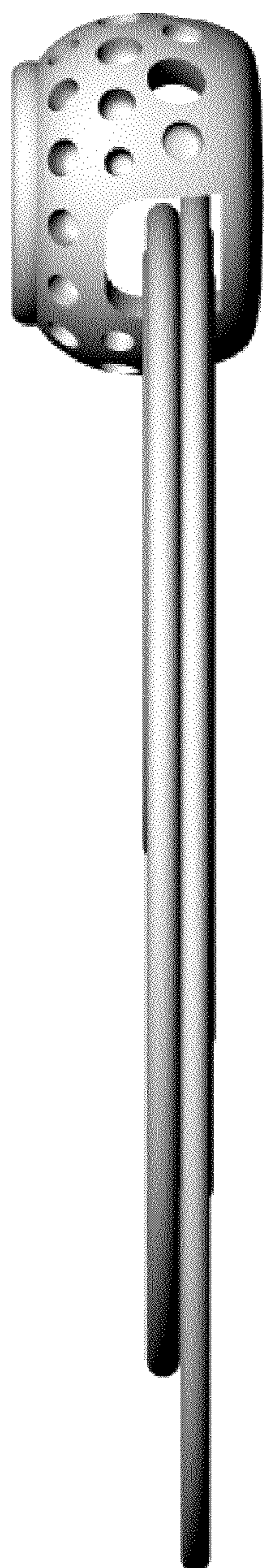


FIG. 4

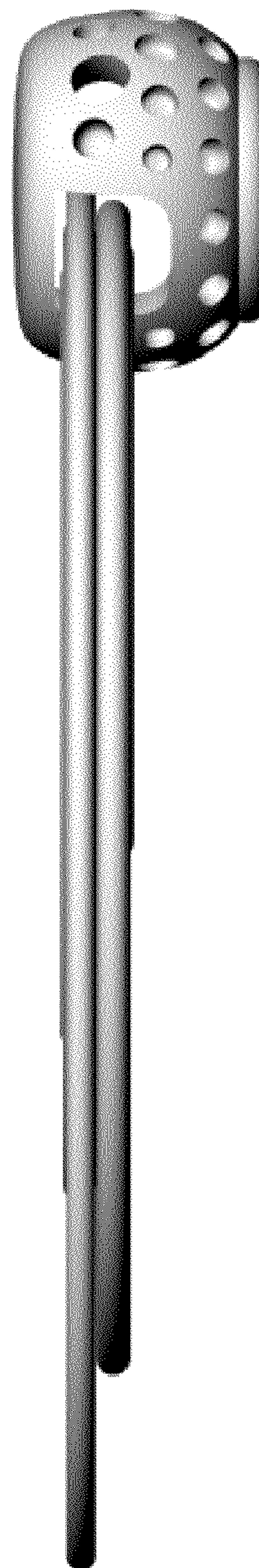


FIG. 5



FIG. 6

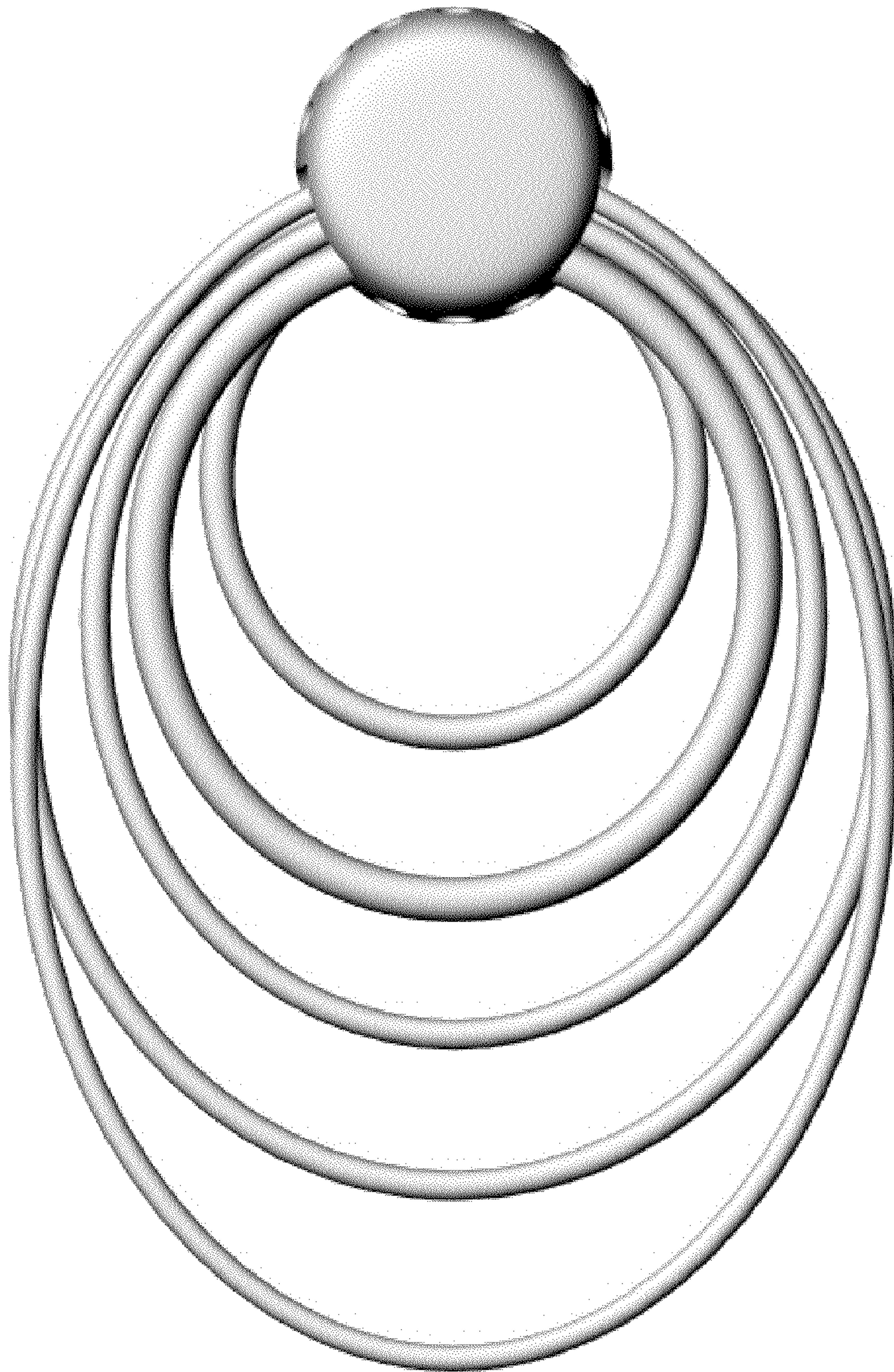


FIG. 7



FIG. 8

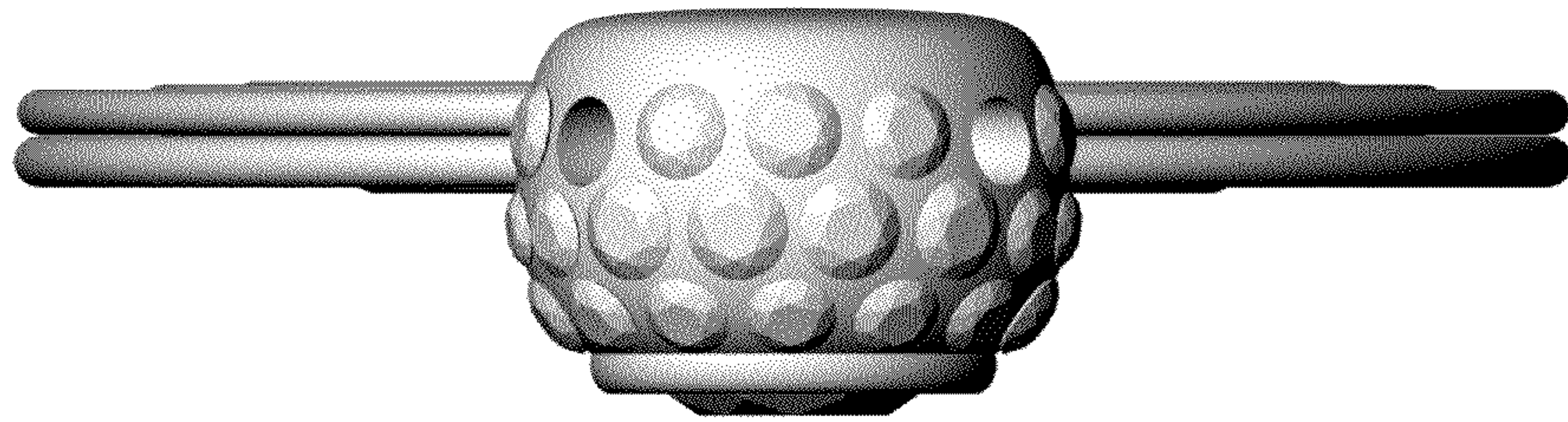


FIG. 9

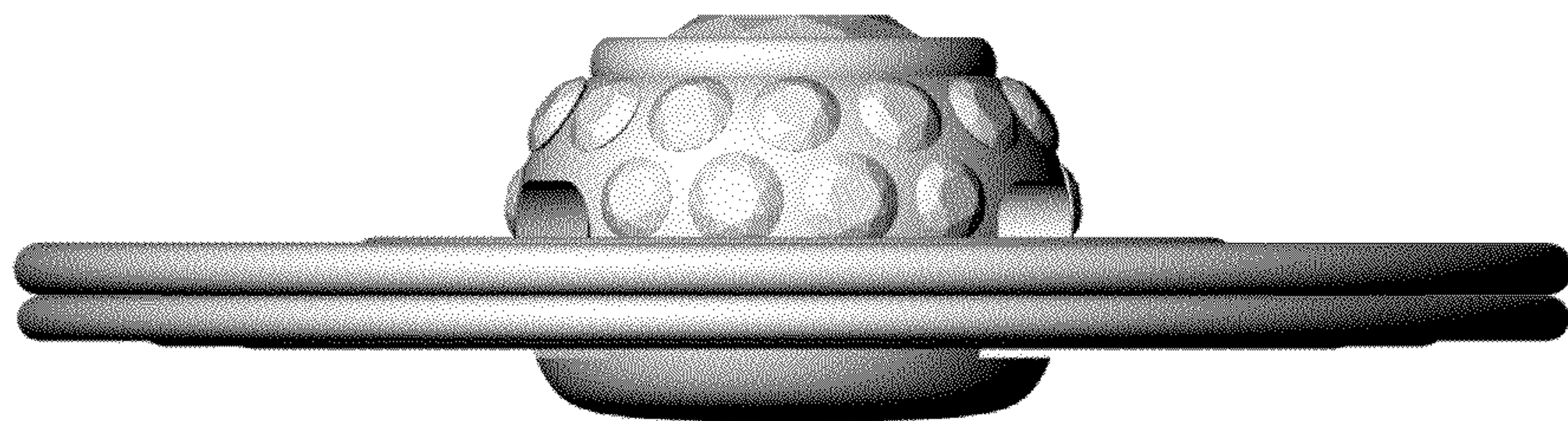


FIG. 10

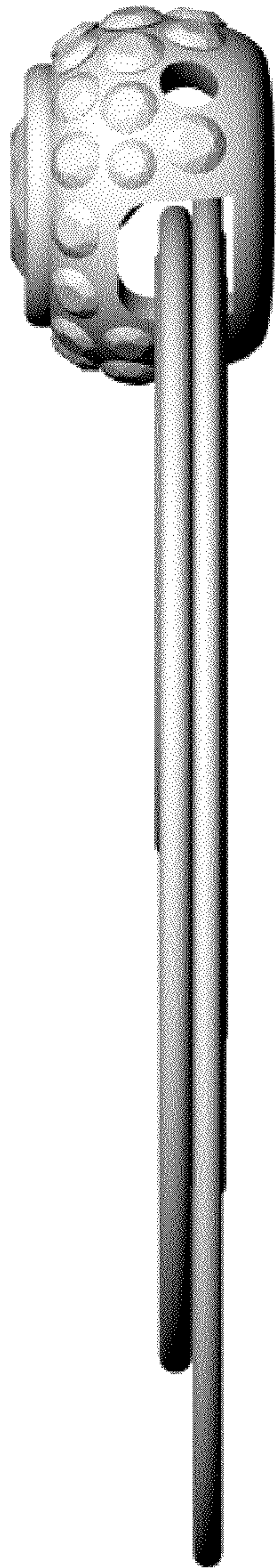


FIG. 11

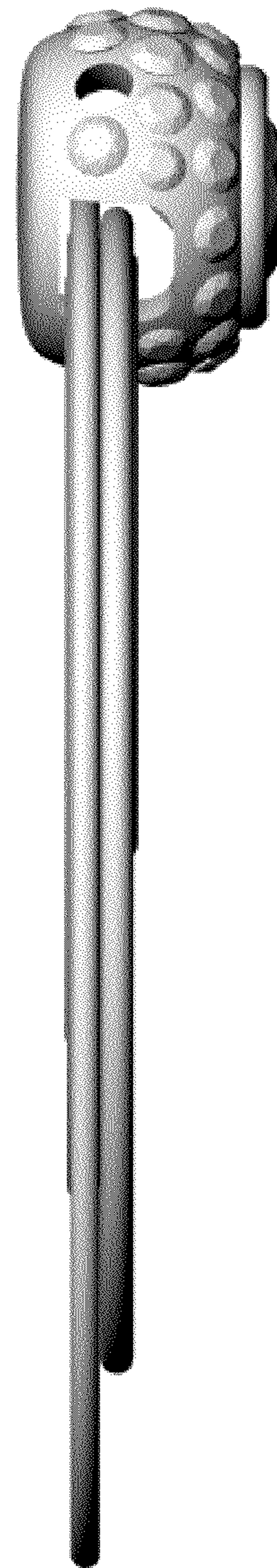


FIG. 12



FIG. 13

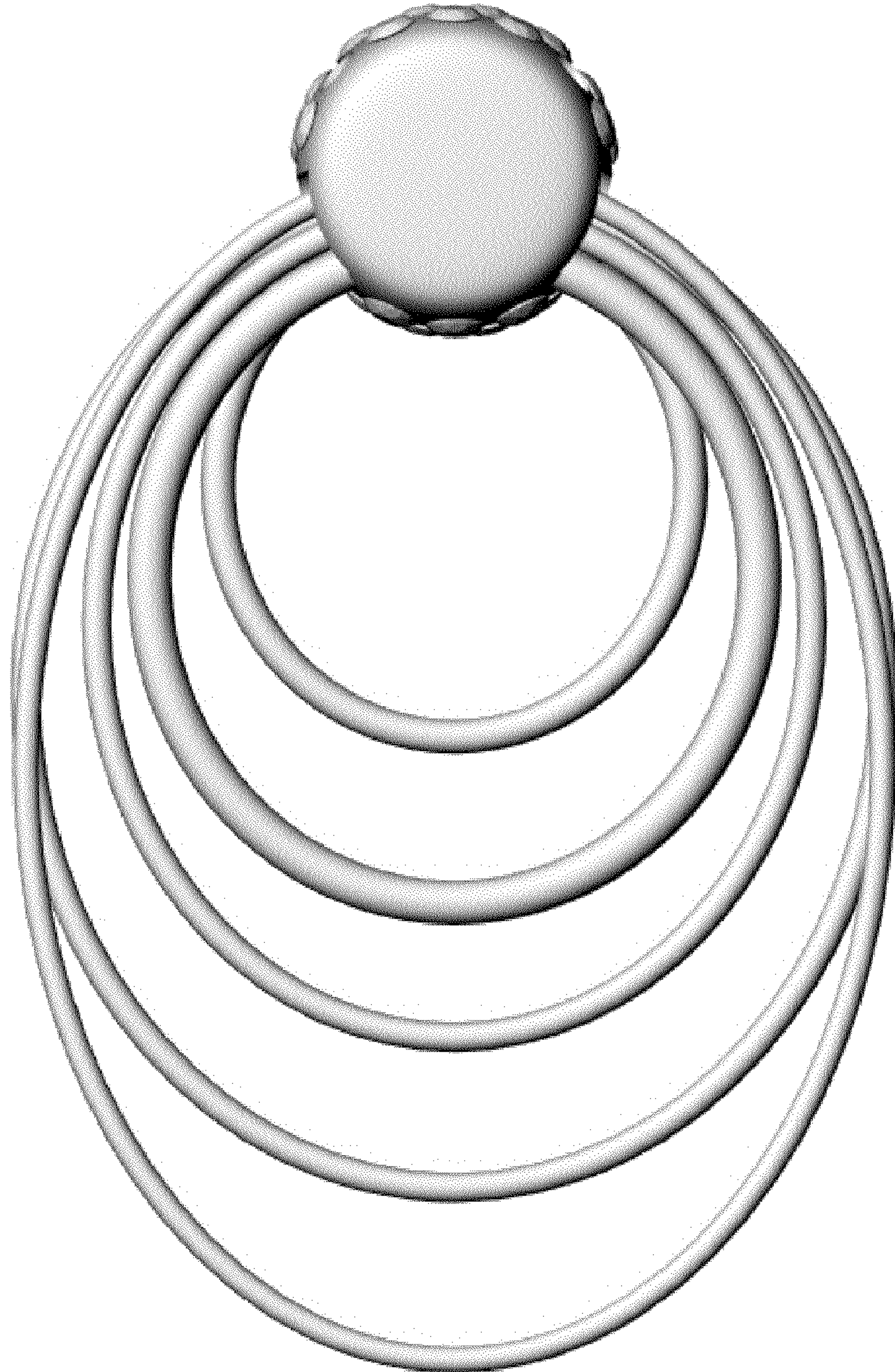


FIG. 14

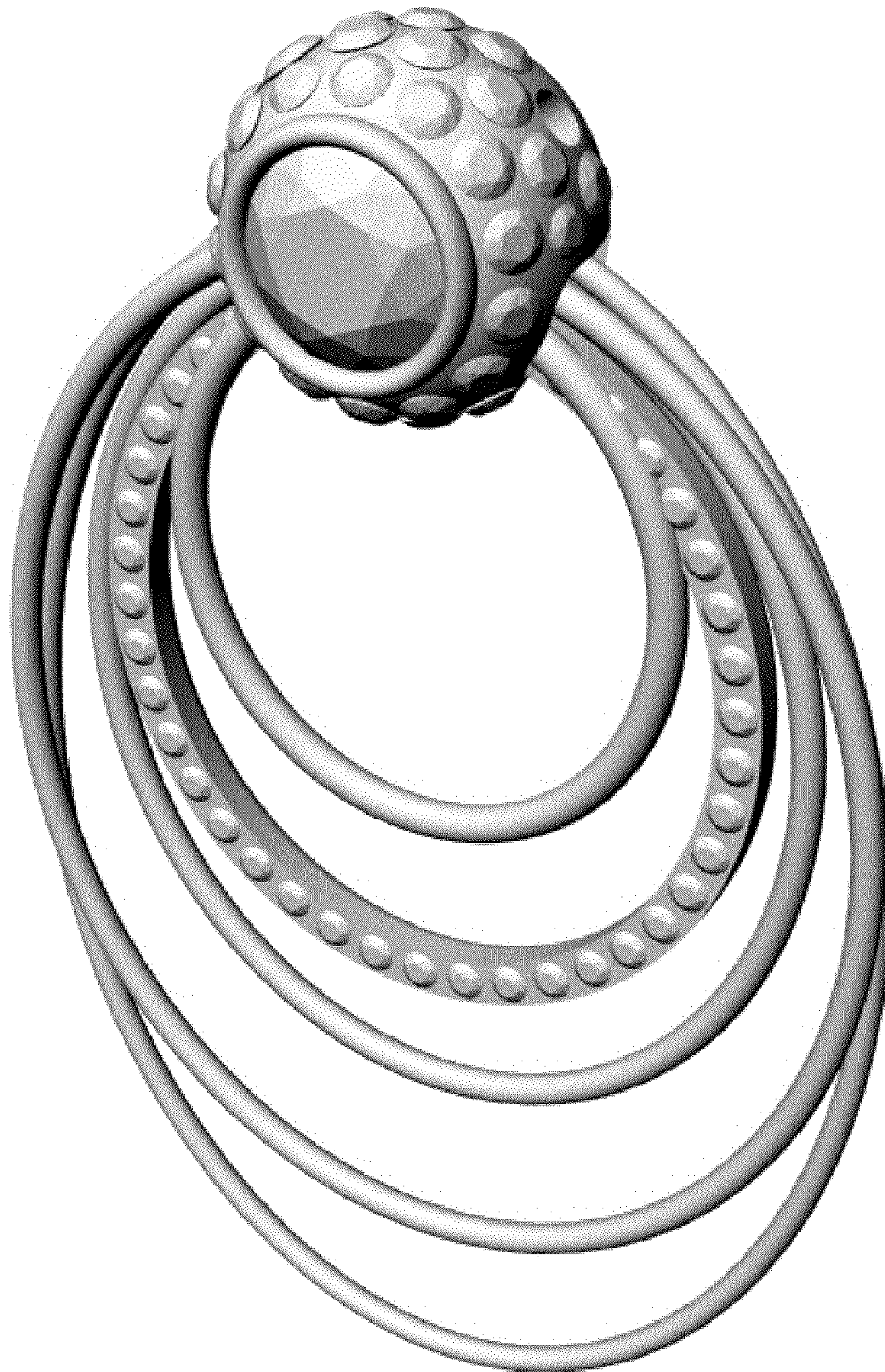


FIG. 15

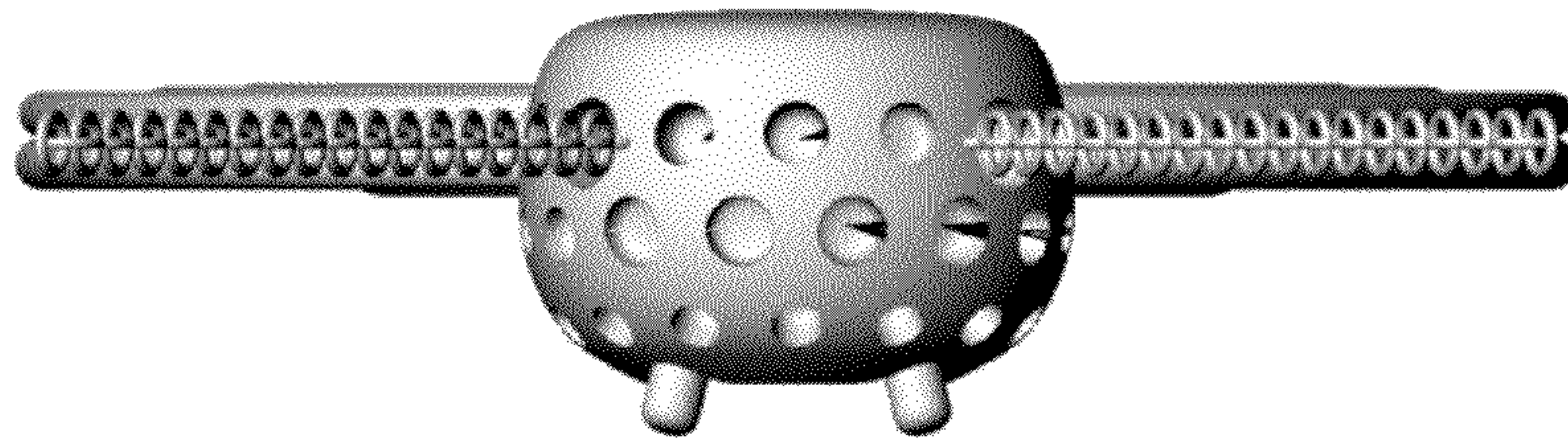


FIG. 16

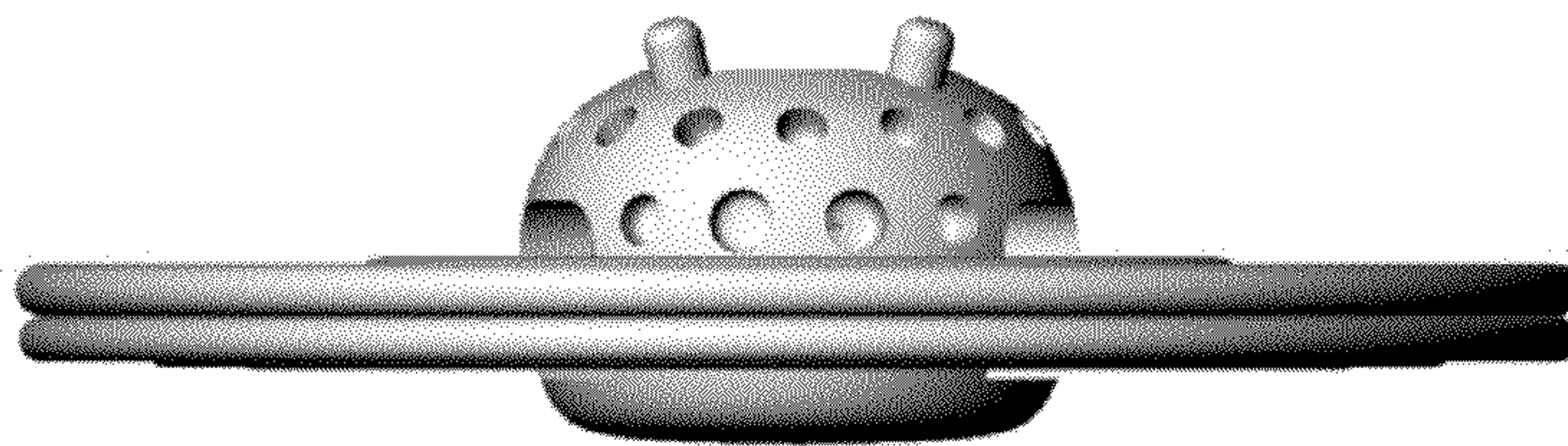


FIG. 17

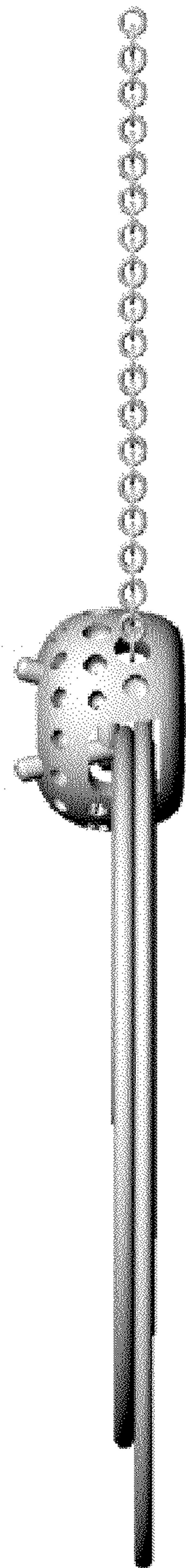


FIG. 18

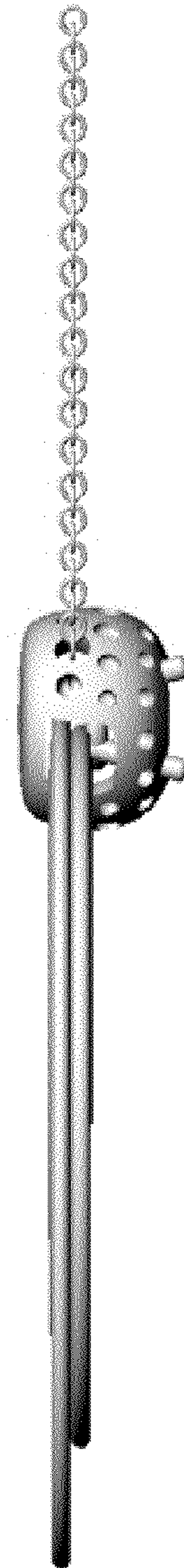


FIG. 19



FIG. 20



FIG. 21



FIG. 22

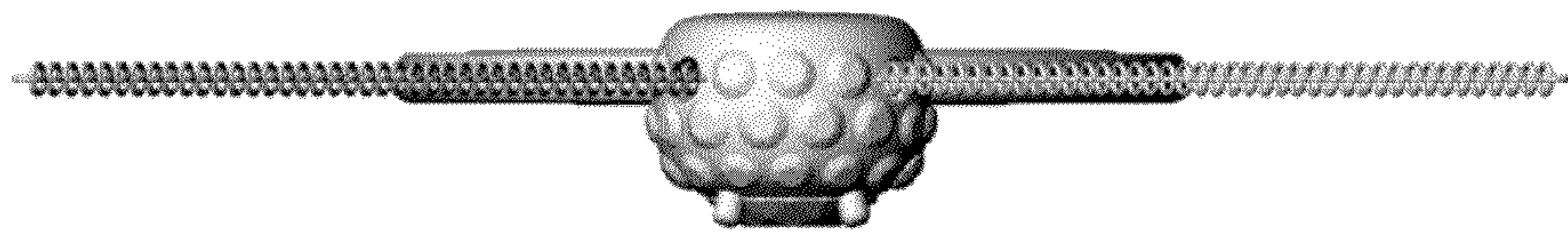


FIG. 23

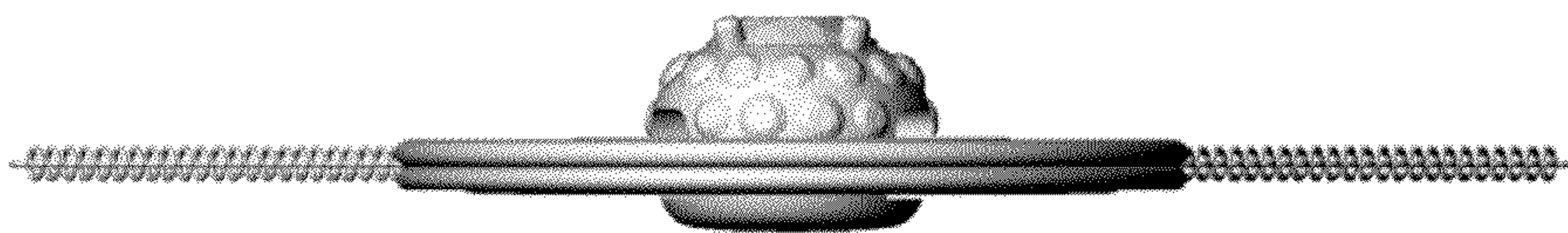


FIG. 24

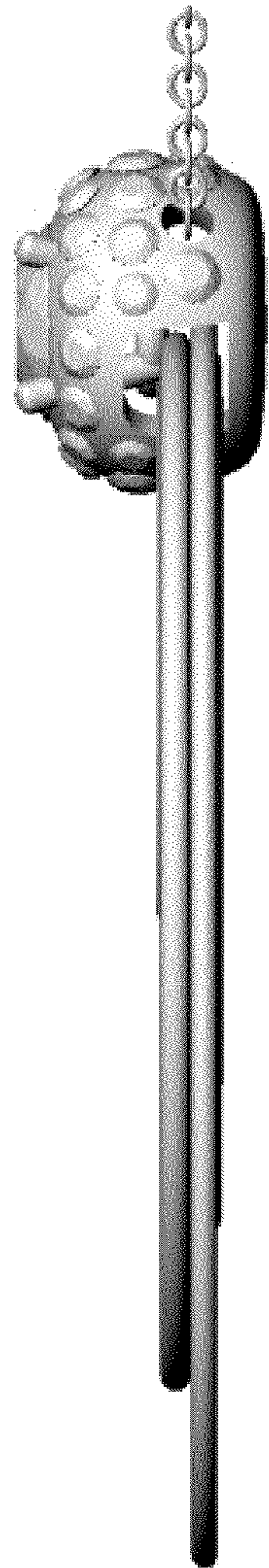


FIG. 25

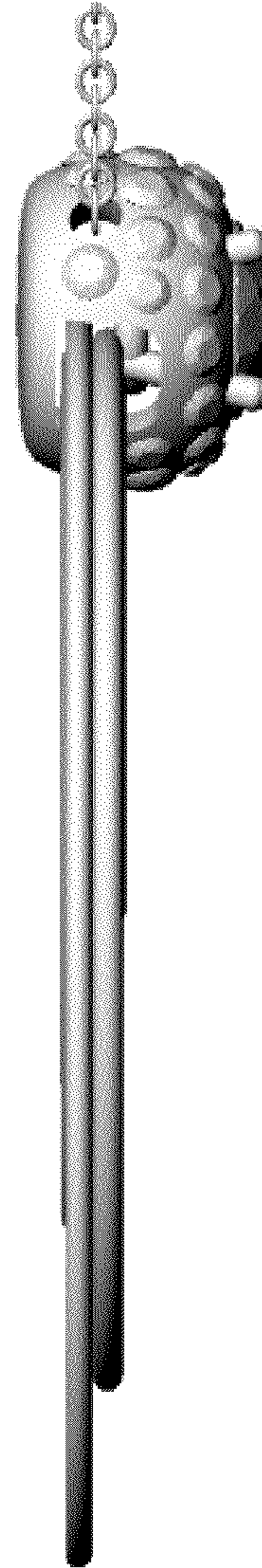


FIG. 26



FIG. 27

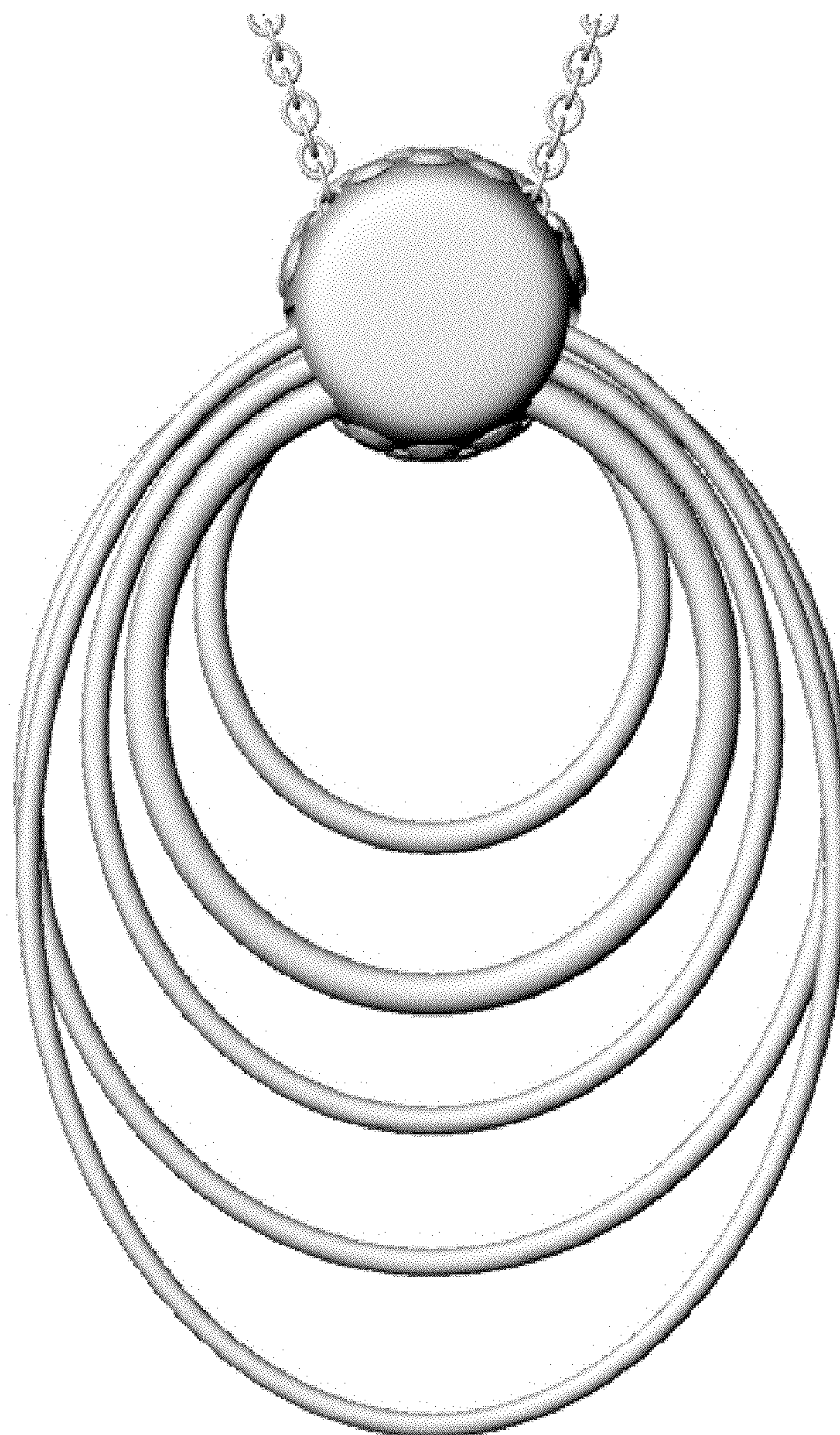


FIG. 28

