



US00D693720S

(12) **United States Design Patent**
O'Malley et al.

(10) **Patent No.:** **US D693,720 S**

(45) **Date of Patent:** **** Nov. 19, 2013**

(54) **SPORTING BRACELET**

(75) Inventors: **Dillon O'Malley**, Northville, MI (US);
Peter Jonna, Farmington Hills, MI (US)

(73) Assignee: **Sports Wrists**, Northville, MI (US)

(**) Term: **14 Years**

(21) Appl. No.: **29/414,743**

(22) Filed: **Mar. 2, 2012**

(51) **LOC (9) Cl.** **11-01**

(52) **U.S. Cl.**
USPC **D11/3**

(58) **Field of Classification Search**
USPC D11/1-25, 26-39; 63/3, 3.1, 3.2, 5,
63/15.1-15.4, 15.45, 15.5, 15.6, 15.65
See application file for complete search history.

(56) **References Cited**

U.S. PATENT DOCUMENTS

D267,788	S	*	2/1983	Bulgari	D11/38
D470,429	S	*	2/2003	Bonnet	D11/3
D551,584	S	*	9/2007	Highfill	D11/3
D563,818	S	*	3/2008	Varon	D11/3
D608,236	S	*	1/2010	Akdemir	D11/26
D630,121	S	*	1/2011	Roysky	D11/3
D652,337	S	*	1/2012	Molik	D11/3
D671,858	S	*	12/2012	Cobbett et al.	D11/3
D680,020	S	*	4/2013	Cobbett et al.	D11/3
2008/0236195	A1	*	10/2008	Woebke	63/1.14

* cited by examiner

Primary Examiner — Jennifer Rivard

Assistant Examiner — Melanie Pellegrini

(74) *Attorney, Agent, or Firm* — Rader, Fishman & Grauer
PLLC

(57) **CLAIM**

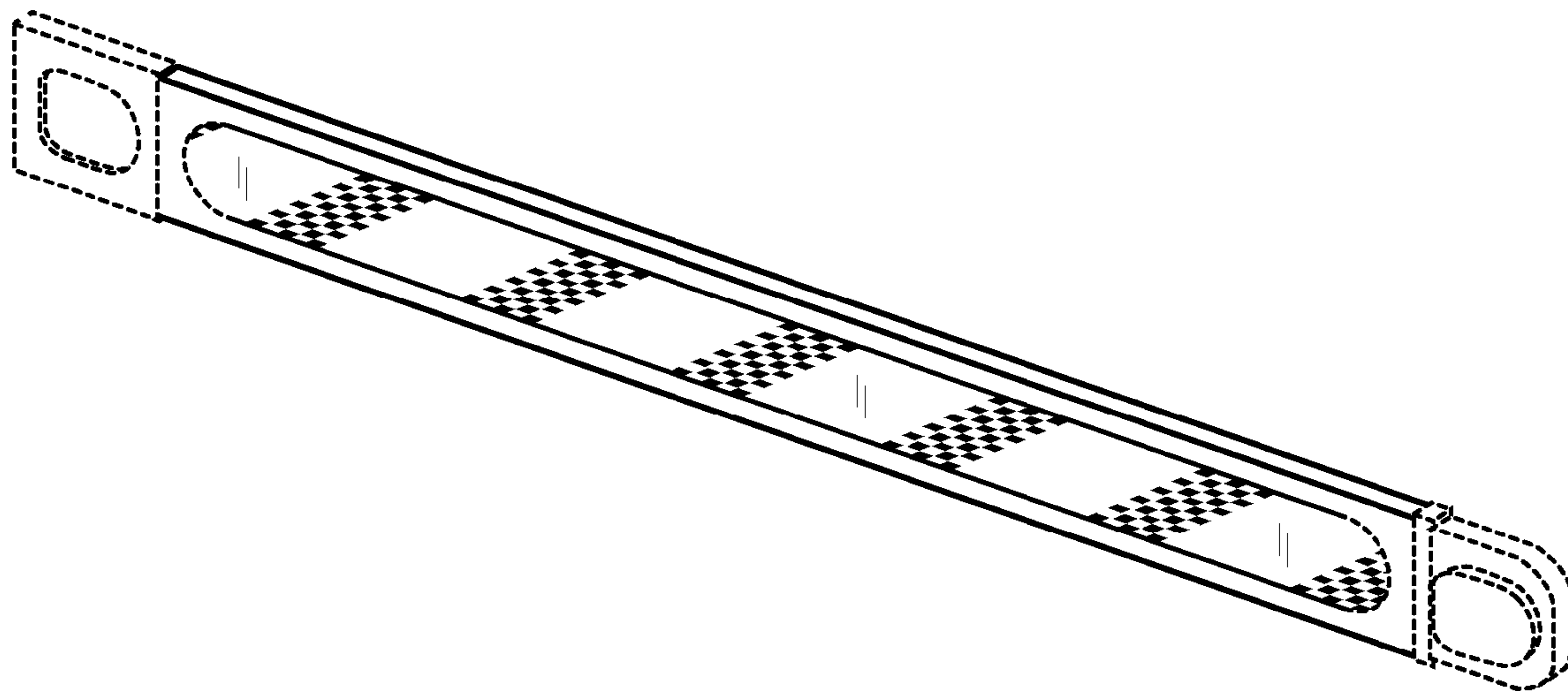
The ornamental design for a sporting bracelet, as shown and described.

DESCRIPTION

FIG. 1 is a perspective view of a sporting bracelet;
FIG. 2 is a front perspective view of the sporting bracelet in a
“clasped” position;
FIG. 3 is a rear perspective view of the sporting bracelet in a
“clasped” position;
FIG. 4 is a front perspective view of the sporting bracelet in a
“near clasped” position;
FIG. 5 is a rear perspective view of the sporting bracelet in a
“near clasped” position;
FIG. 6 is a front view of the sporting bracelet;
FIG. 7 is a rear view of the sporting bracelet;
FIG. 8 is a side view of the sporting bracelet;
FIG. 9 is a bottom view of the sporting bracelet; and,
FIG. 10 is a top view of the sporting bracelet, showing the top
opposite that is shown in FIG. 9.

The vertical broken lines immediately adjacent to the solid
upper and solid lower horizontal lines of the sporting bracelet
represent the bounds of the claim. The remaining broken lines
illustrate portions of the sporting bracelet. None of the broken
lines forms part of the claimed design.

1 Claim, 4 Drawing Sheets



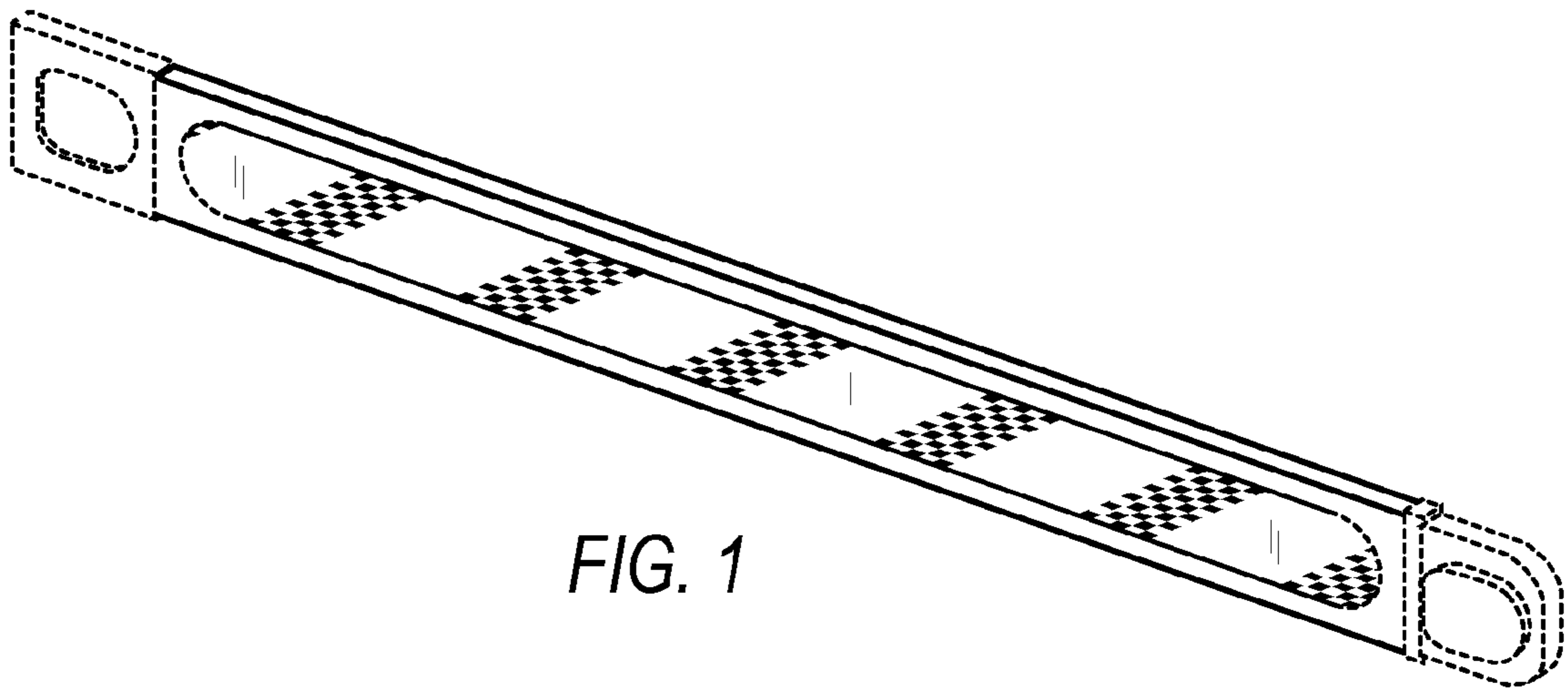


FIG. 1

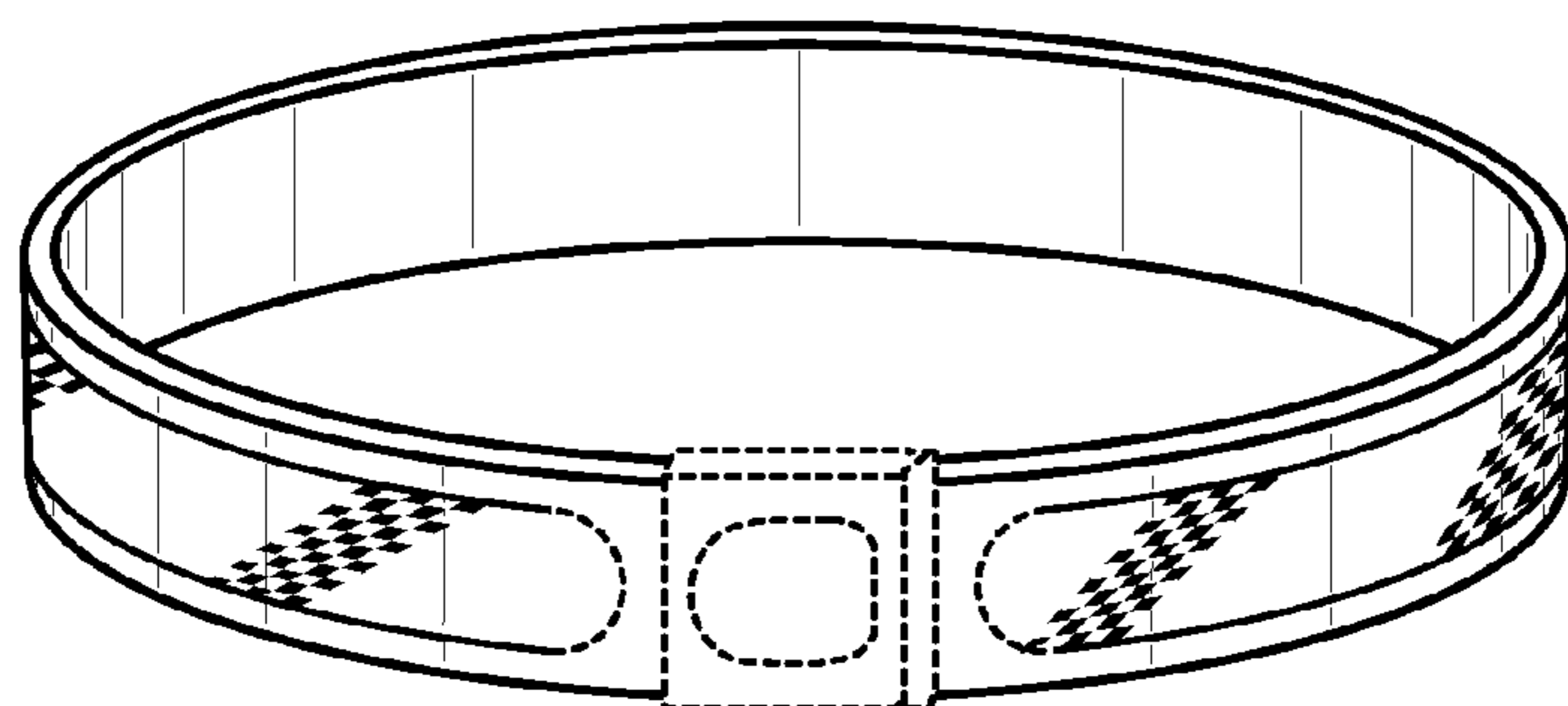


FIG. 2

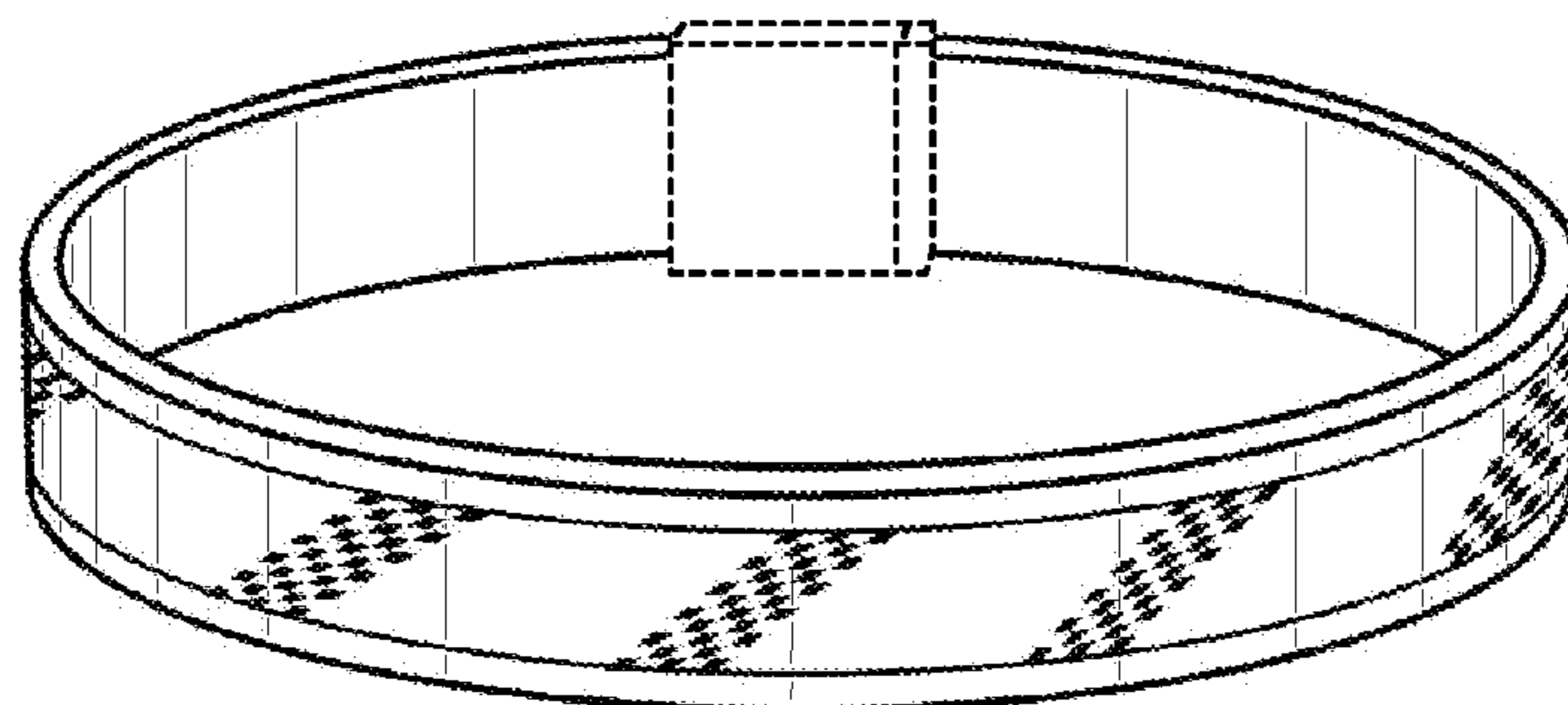


FIG. 3

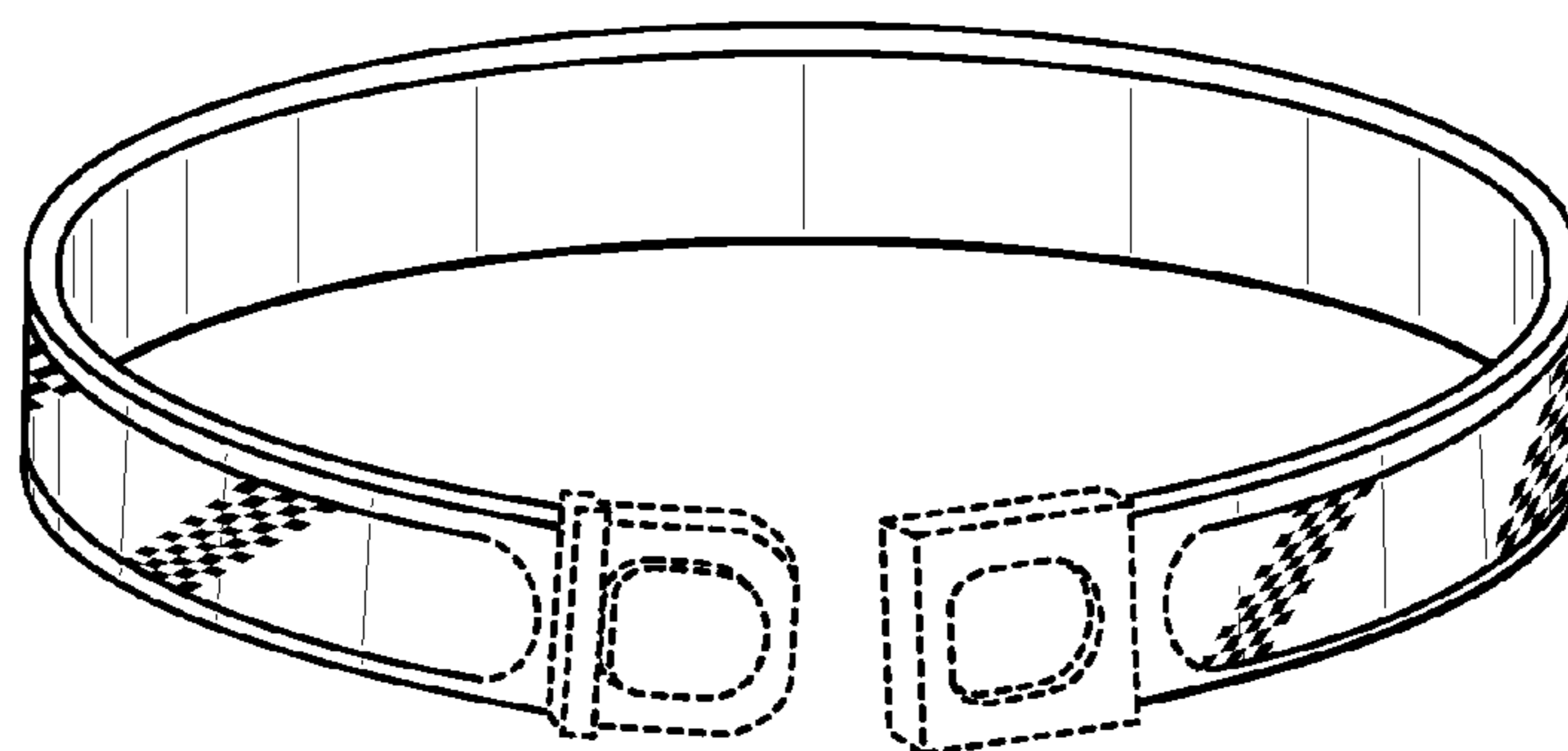


FIG. 4

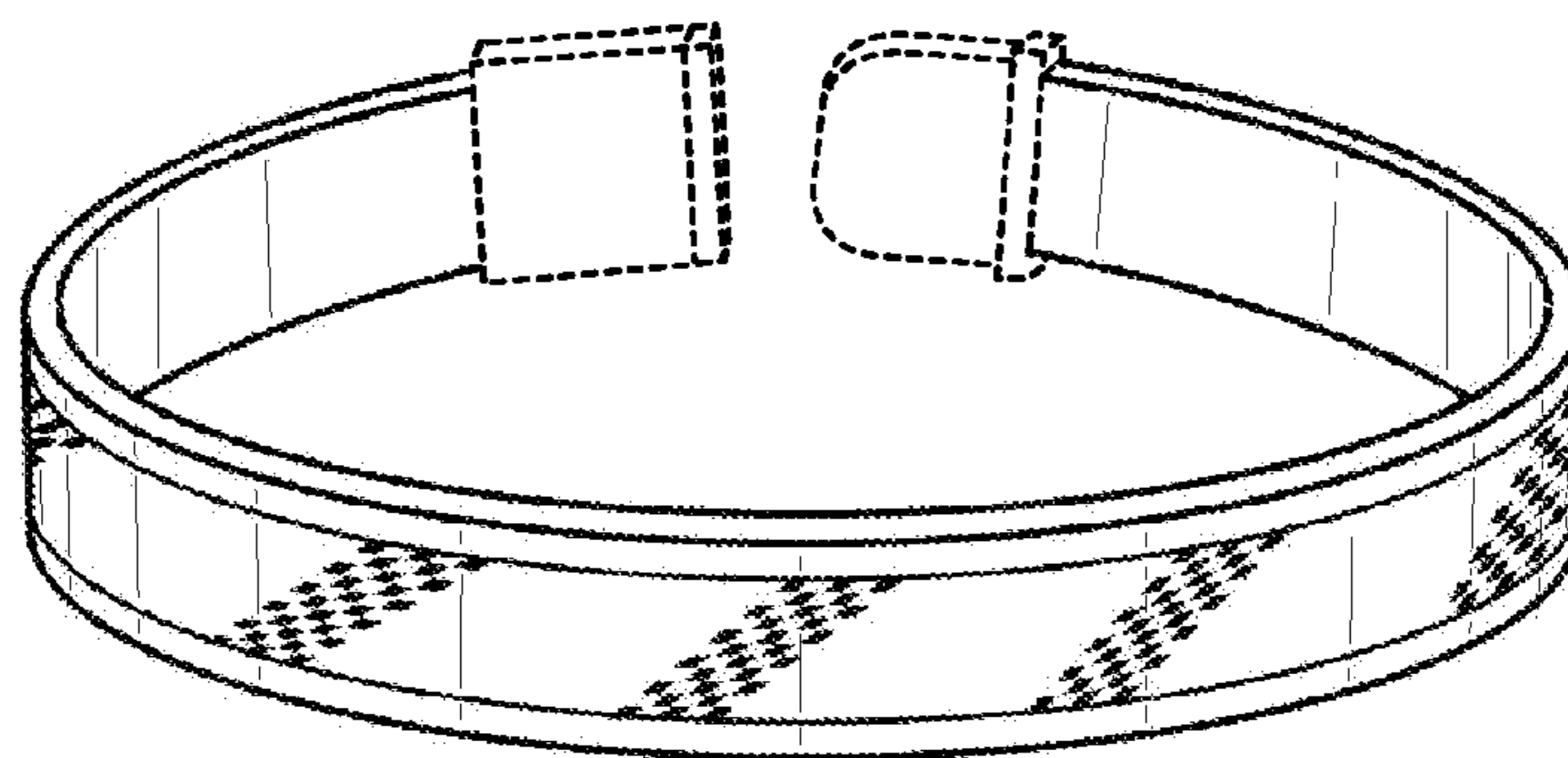


FIG. 5

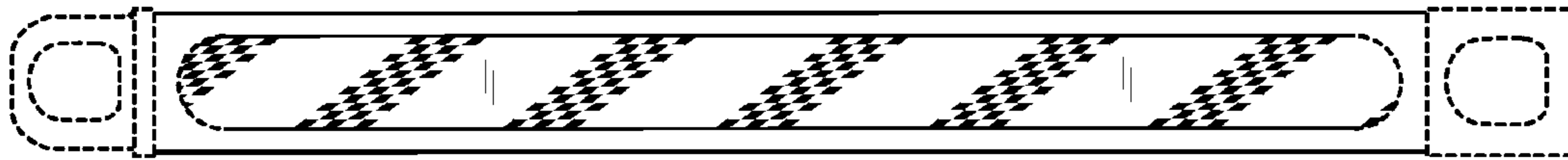


FIG. 6



FIG. 7

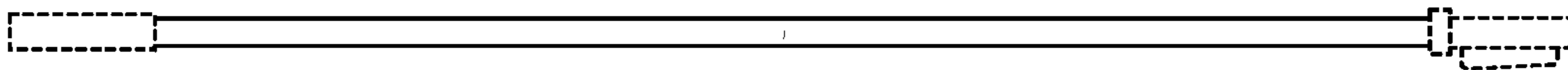


FIG. 8



FIG. 9



FIG. 10