

US00D693718S

(12) **United States Design Patent**  
**Romine**

(10) **Patent No.:** **US D693,718 S**

(45) **Date of Patent:** **\*\* Nov. 19, 2013**

(54) **WALL-MOUNTED GUARD FOR A PULL STATION**

D455,128 S \* 4/2002 Laun et al. .... D13/177  
D559,204 S \* 1/2008 Elkins et al. .... D13/173  
2005/0072058 A1 4/2005 Hajack

(76) Inventor: **Raymond Romine**, Miami, FL (US)

\* cited by examiner

(\*\*) Term: **14 Years**

*Primary Examiner* — George D Kirschbaum

(21) Appl. No.: **29/418,031**

(74) *Attorney, Agent, or Firm* — Malloy & Malloy, P.L.

(22) Filed: **Apr. 11, 2012**

(51) **LOC (9) Cl.** ..... **10-05**

(52) **U.S. Cl.**  
USPC ..... **D10/121**

(58) **Field of Classification Search**  
USPC ..... D10/104.1, 121; D13/173, 177;  
340/286.05, 302

See application file for complete search history.

(56) **References Cited**

**U.S. PATENT DOCUMENTS**

2,824,915 A 2/1958 Buturuga  
4,267,549 A \* 5/1981 Taylor ..... 340/302  
D265,802 S 8/1982 Vickery  
4,356,870 A 11/1982 Gaylord et al.  
D311,705 S 10/1990 Thorp et al.  
5,617,923 A 4/1997 Nishikubo et al.  
5,955,939 A \* 9/1999 Taylor ..... 340/286.05

(57) **CLAIM**

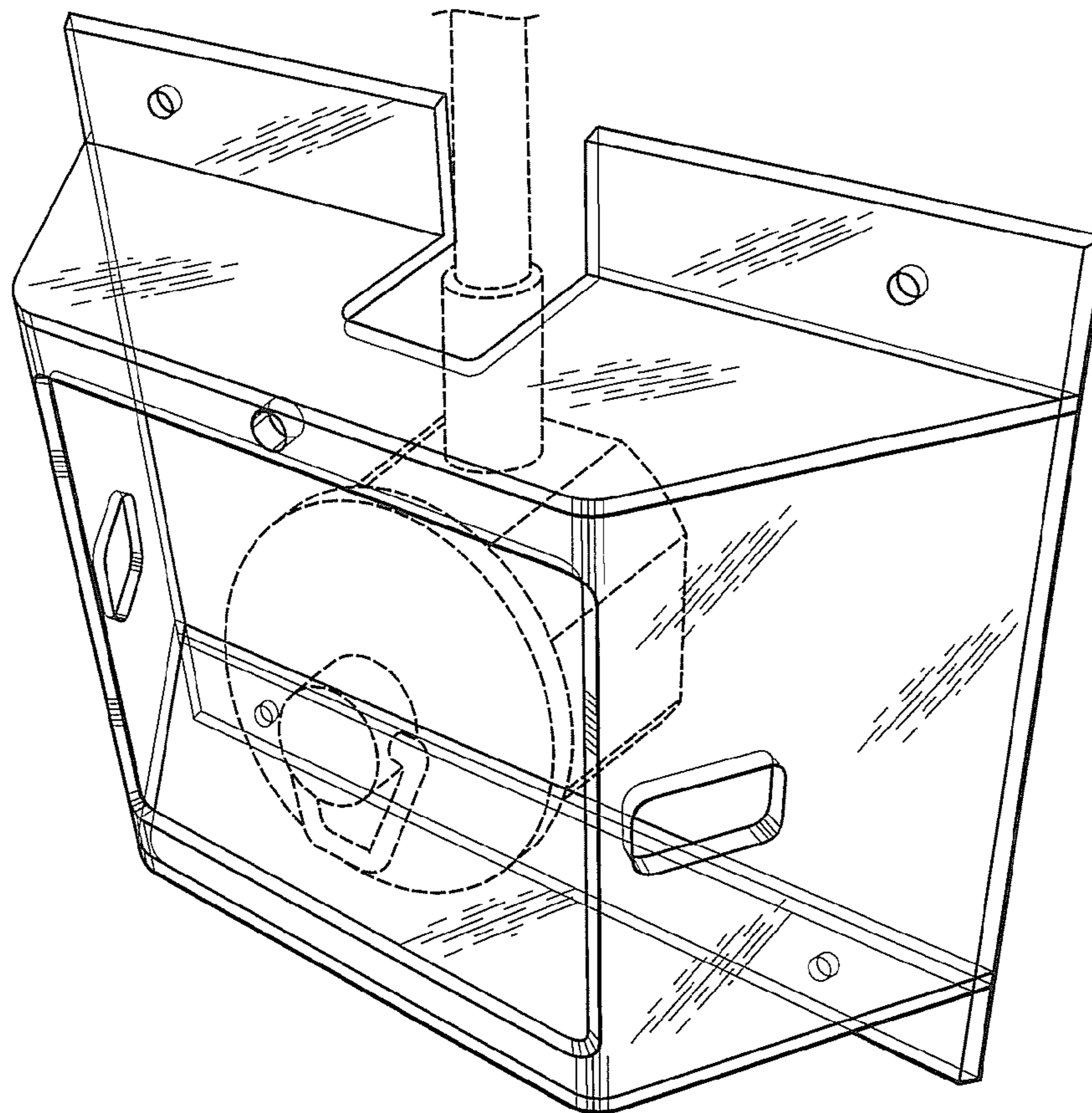
The ornamental design for a wall-mounted guard for a pull station, as shown and described.

**DESCRIPTION**

FIG. 1 is a front perspective view illustrating my design for a wall-mounted guard for a pull station;  
FIG. 2 is a front elevation view of my design for a wall-mounted guard for a pull station;  
FIG. 3 is a right side view thereof;  
FIG. 4 is a top plan view thereof;  
FIG. 5 is a left side elevation view thereof, with the right elevation view being a mirror image thereof;  
FIG. 6 is a bottom plan view thereof; and,  
FIG. 7 is a rear plan view thereof.

The broken line showing of a pull station is included for the purpose of illustrating portions of the “article” and forms no part of the claimed design.

**1 Claim, 3 Drawing Sheets**



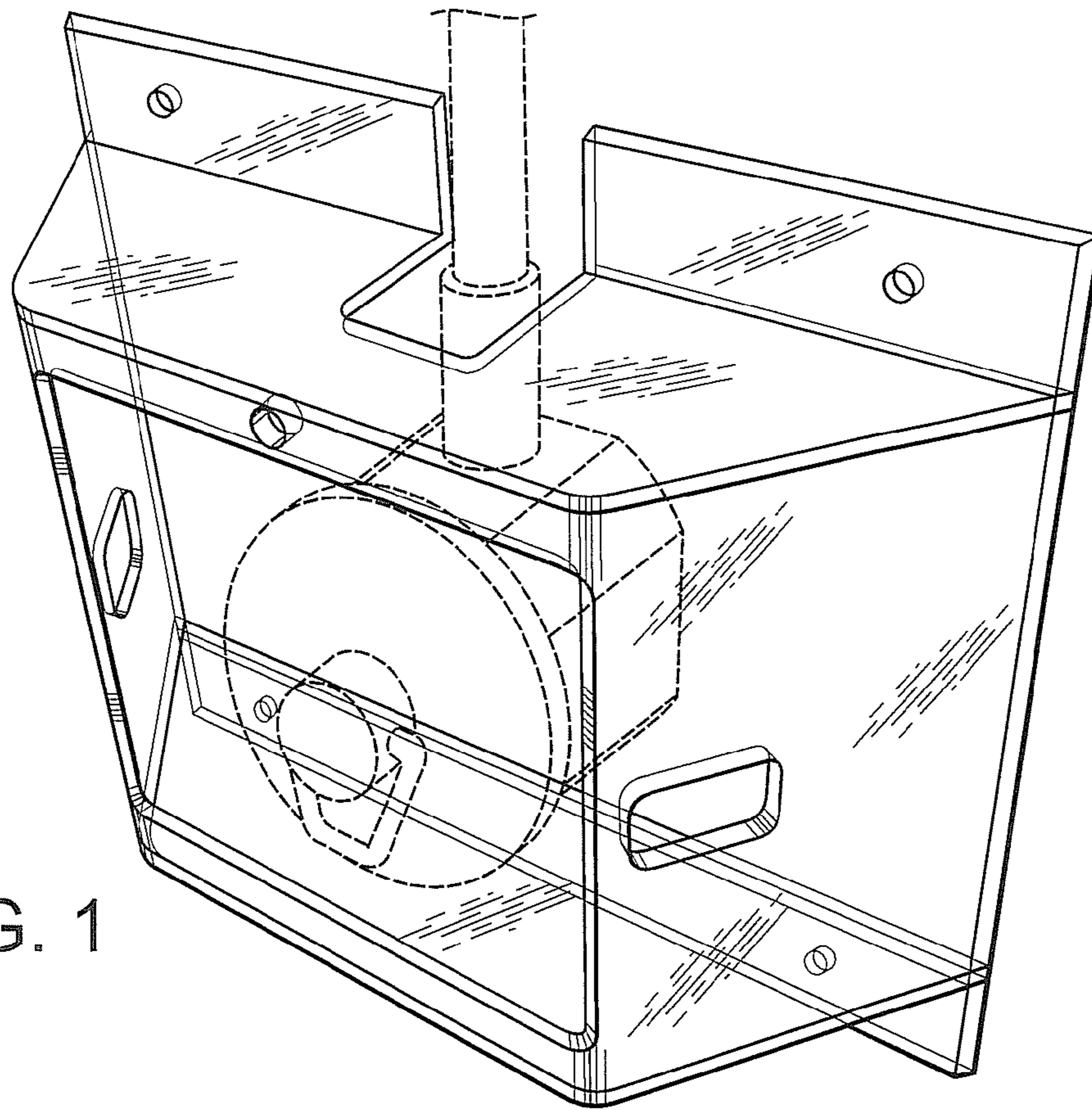


FIG. 1

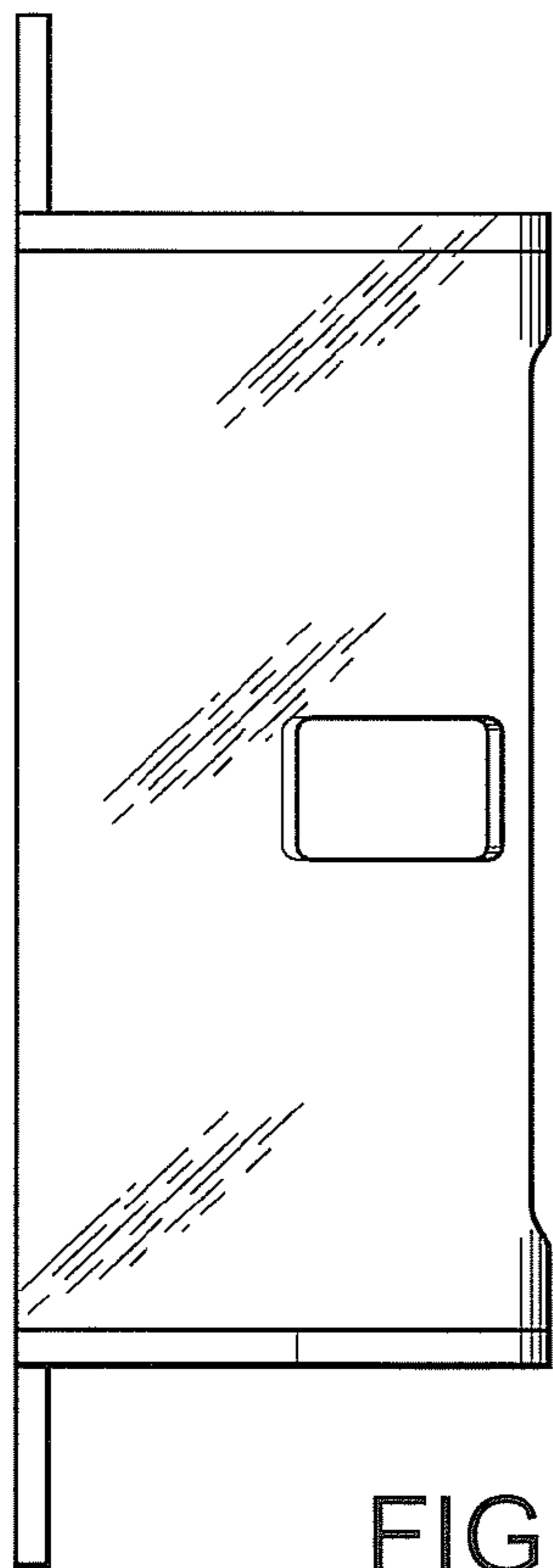


FIG. 3

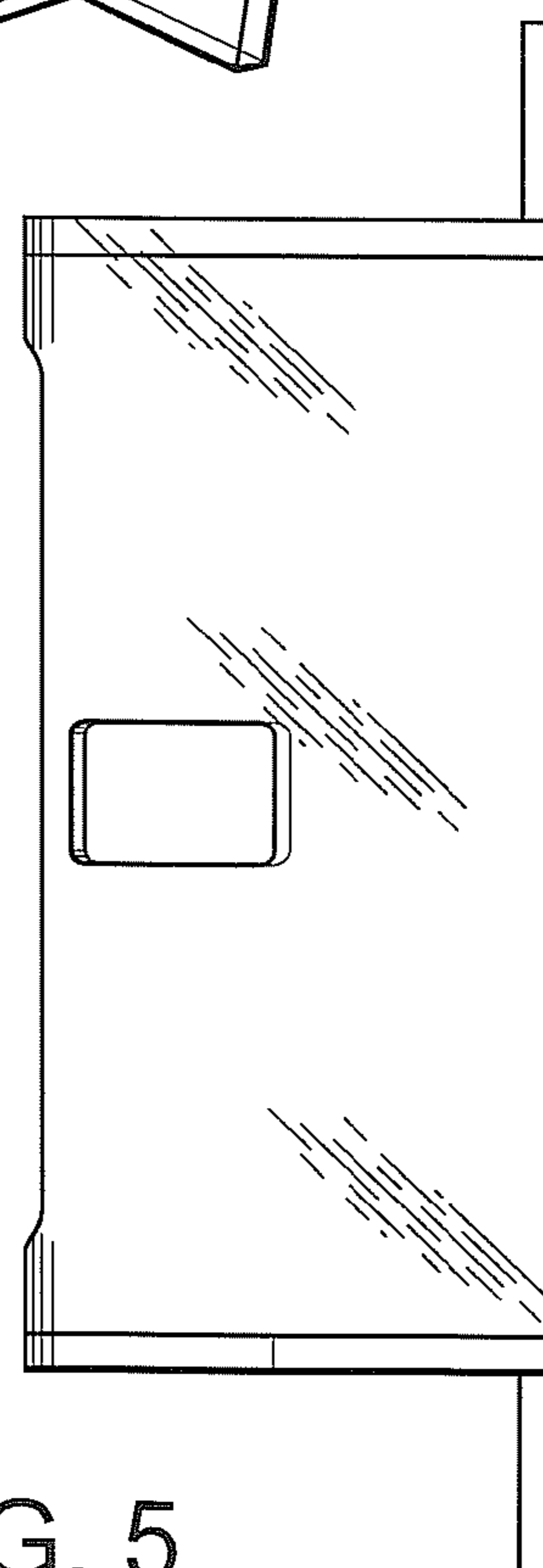


FIG. 5

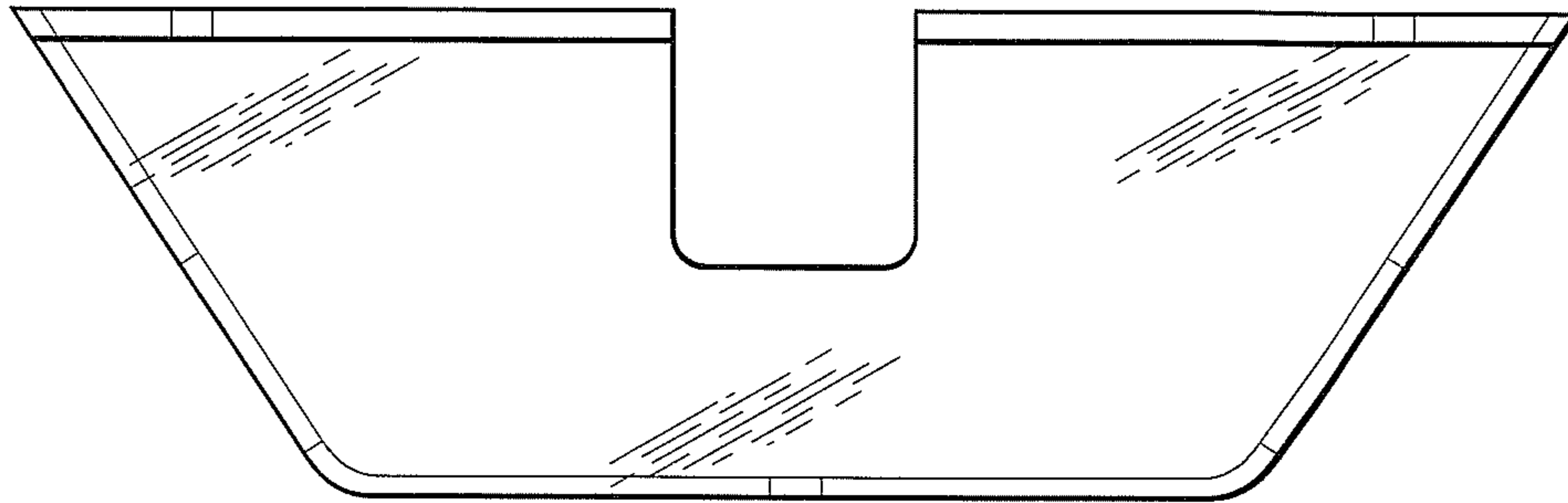


FIG. 4

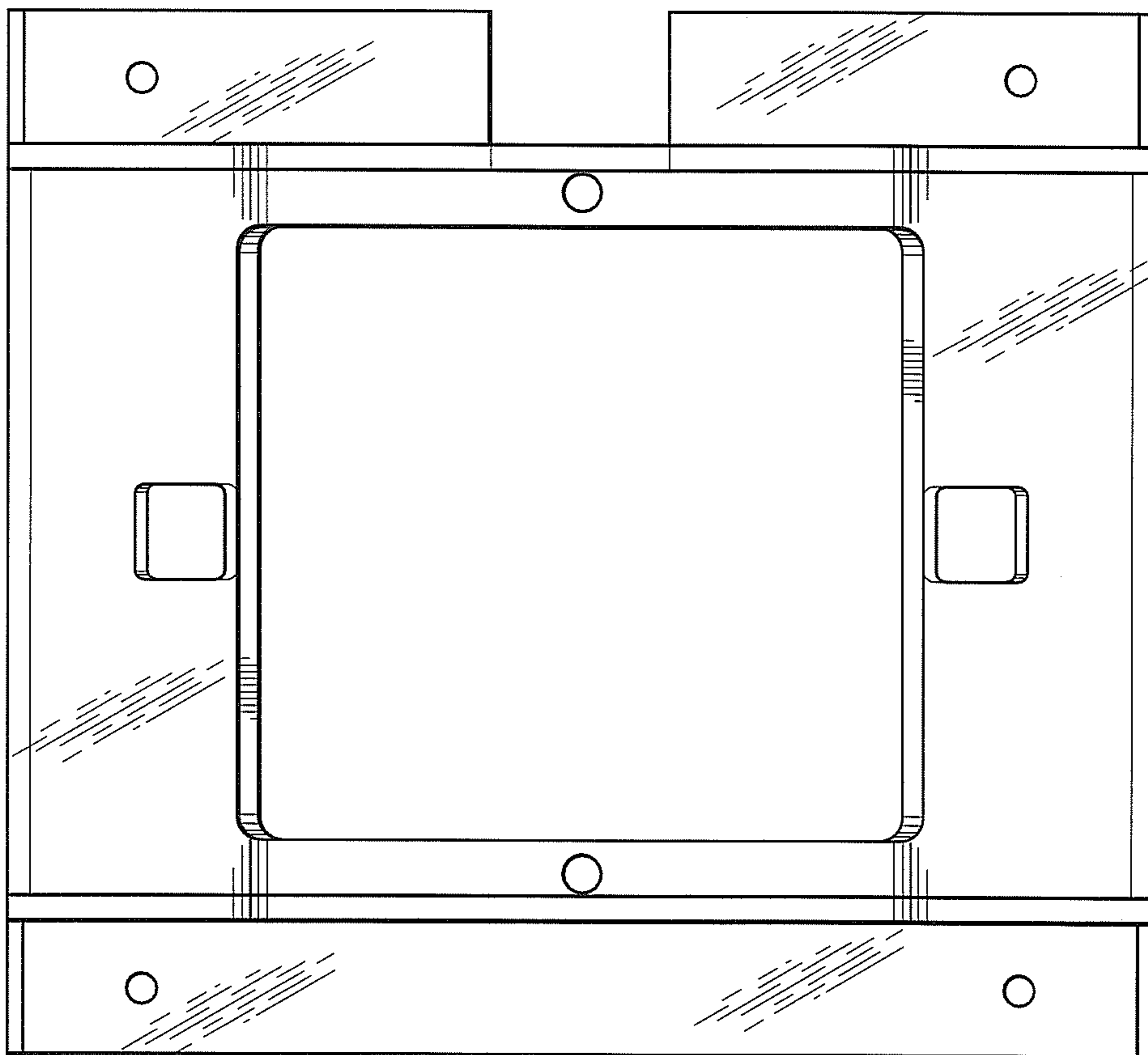


FIG. 2

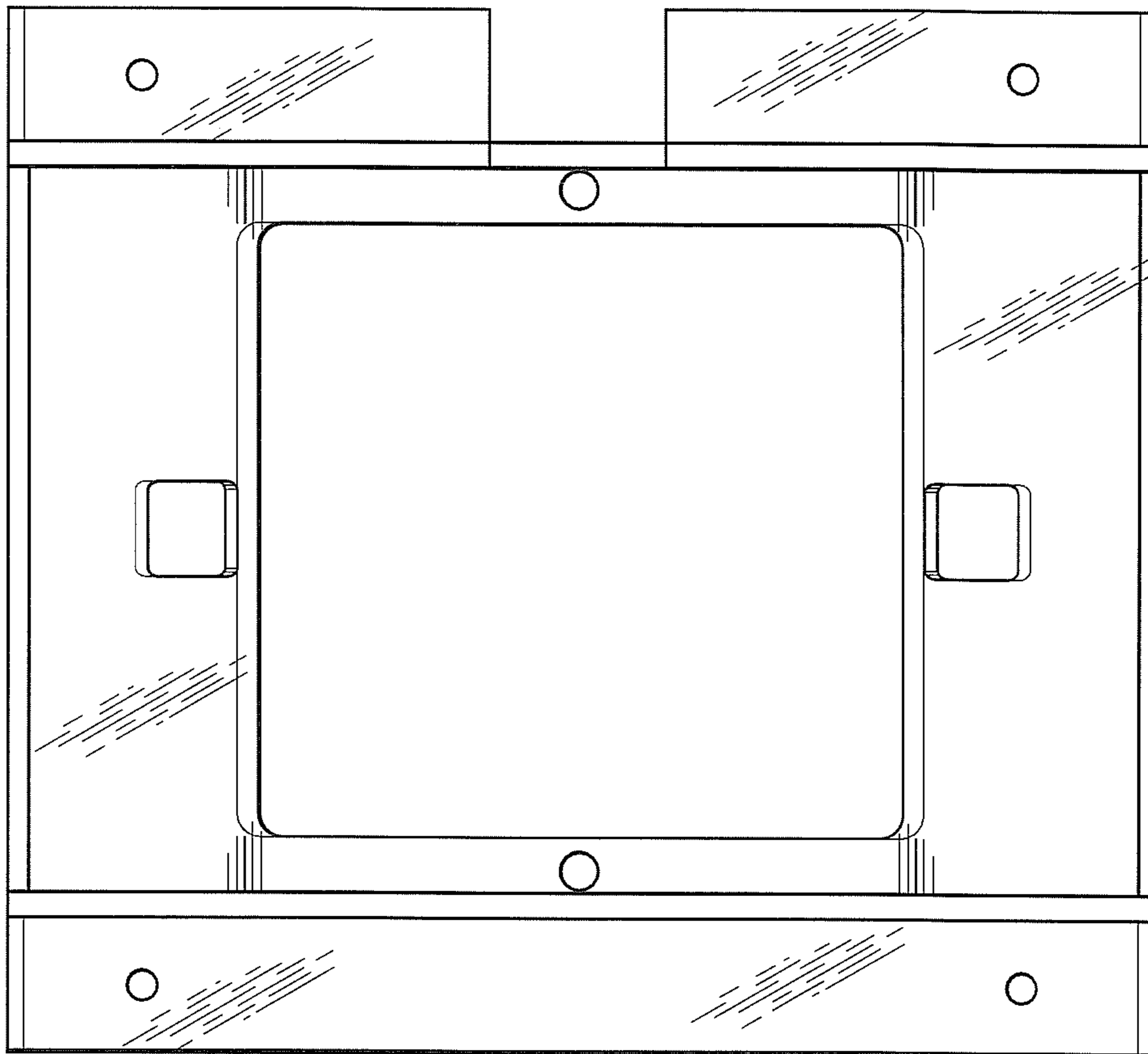


FIG. 7

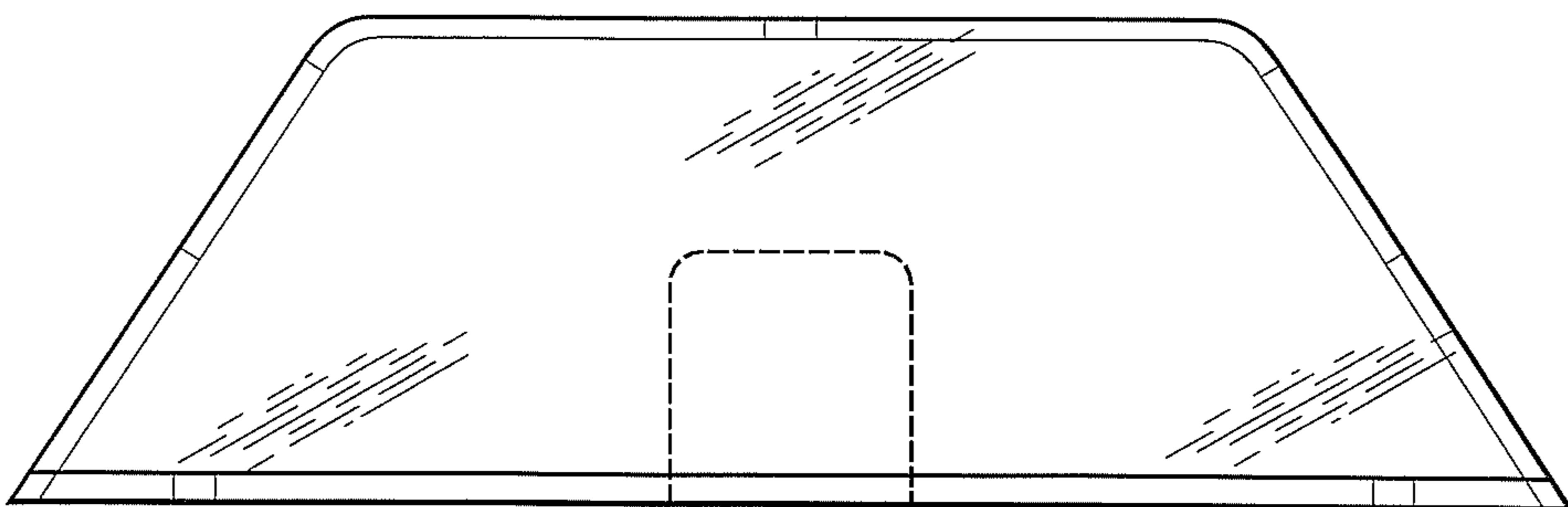


FIG. 6