

US00D693716S

(12) **United States Design Patent**
Matuschek et al.

(10) **Patent No.:** **US D693,716 S**
(45) **Date of Patent:** **** Nov. 19, 2013**

(54) **LASER DISTANCE MEASUREMENT DEVICE**

(75) Inventors: **Walter Matuschek**, Aalen (DE);
Graham Keevy, Aalen (DE)

(73) Assignee: **Hilti Aktiengesellschaft**, Schaan (LI)

(**) Term: **14 Years**

(21) Appl. No.: **29/431,934**

(22) Filed: **Sep. 12, 2012**

D538,690 S	3/2007	Baumgaertner
D539,680 S	4/2007	Liu et al.
7,221,435 B2	5/2007	Stierle et al.
D576,895 S	9/2008	Burkandt
D589,826 S	4/2009	Kiesel
D590,281 S	4/2009	Kiesel
D594,359 S	6/2009	Aglassinger
D594,360 S	6/2009	Aglassinger
D607,352 S	1/2010	Hackenberg
D607,353 S	1/2010	Hackenberg
D636,282 S	4/2011	Yin et al.
8,102,515 B2	1/2012	Skultety-Betz et al.
8,111,382 B2	2/2012	Wolf et al.
D670,582 S *	11/2012	Matuschek et al. D10/70
2010/0302527 A1	12/2010	Gogolla et al.

Related U.S. Application Data

(62) Division of application No. 29/393,486, filed on Jun. 6, 2011, now Pat. No. Des. 670,582.

Foreign Application Priority Data

Dec. 7, 2010 (WO) DM/075 084

(51) **LOC (9) Cl.** **10-03**

(52) **U.S. Cl.**
USPC **D10/103**

(58) **Field of Classification Search**

USPC D10/78, 70, 103; 324/72.5, 556, 133,
324/149, 503, 543, 555, 66, 72, 754, 115,
324/141; 340/635, 687; 73/597, 615, 624,
73/627, 644; 356/3.01-5.15

See application file for complete search history.

(56) **References Cited**

U.S. PATENT DOCUMENTS

6,324,888 B1 12/2001 Schmidt et al.
7,075,626 B2 7/2006 Schmidt et al.

* cited by examiner

Primary Examiner — Antoine D Davis

(74) *Attorney, Agent, or Firm* — Crowell & Moring LLP

(57) **CLAIM**

The ornamental design for a laser distance measurement device, as shown and described.

DESCRIPTION

This application contains subject matter related to the following co-pending U.S. design patent application: Application Ser. No. 29/393,485, filed Jun. 6, 2011 and entitled "Laser Distance Measurement Device."

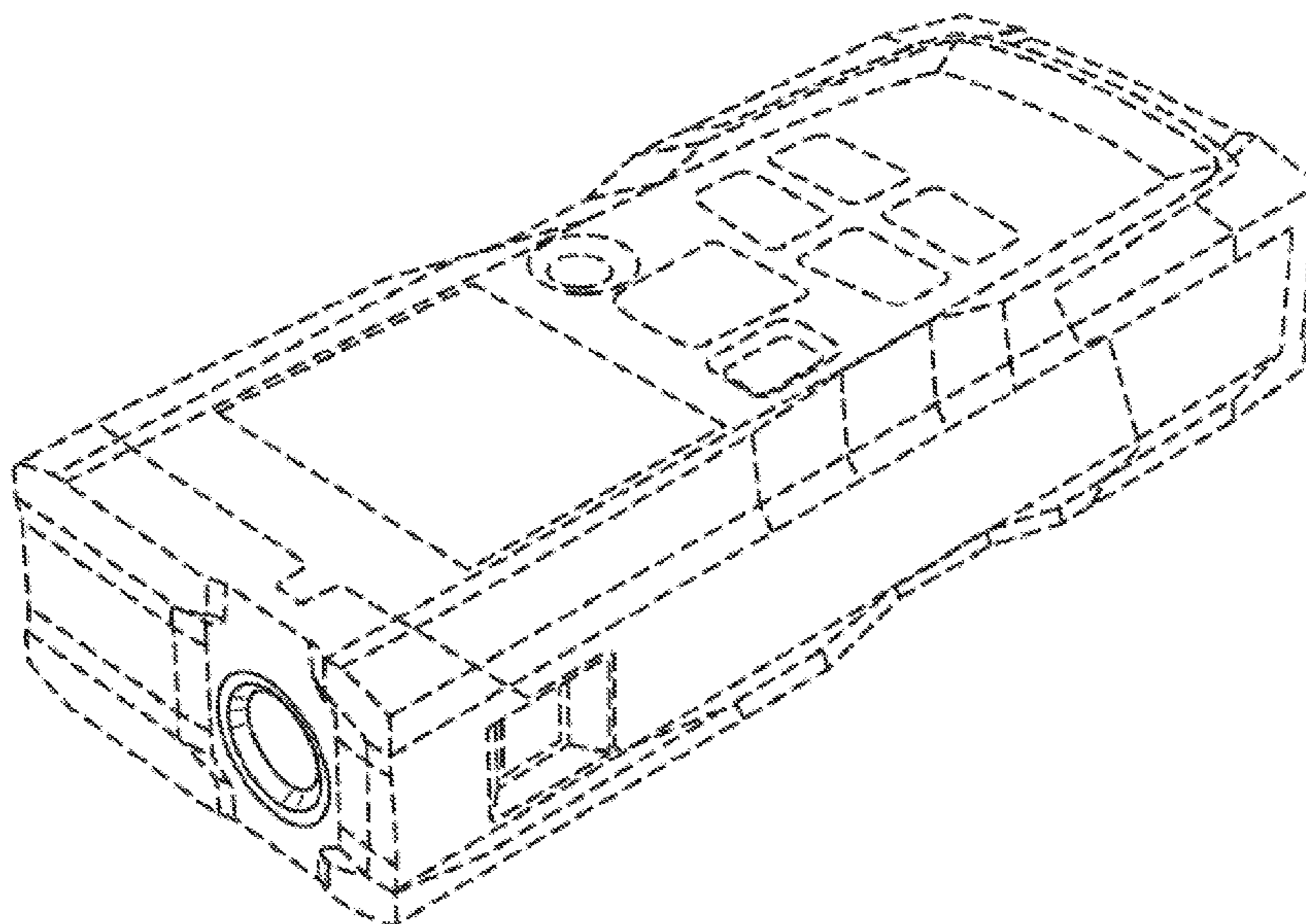
FIG. 1 is a left, front perspective view of a laser distance measurement device according to our design;

FIG. 2 is a front view thereof; and,

FIG. 3 is a front, top perspective view thereof.

The broken lines are for illustrative purposes only and form no part of the claimed design.

1 Claim, 3 Drawing Sheets



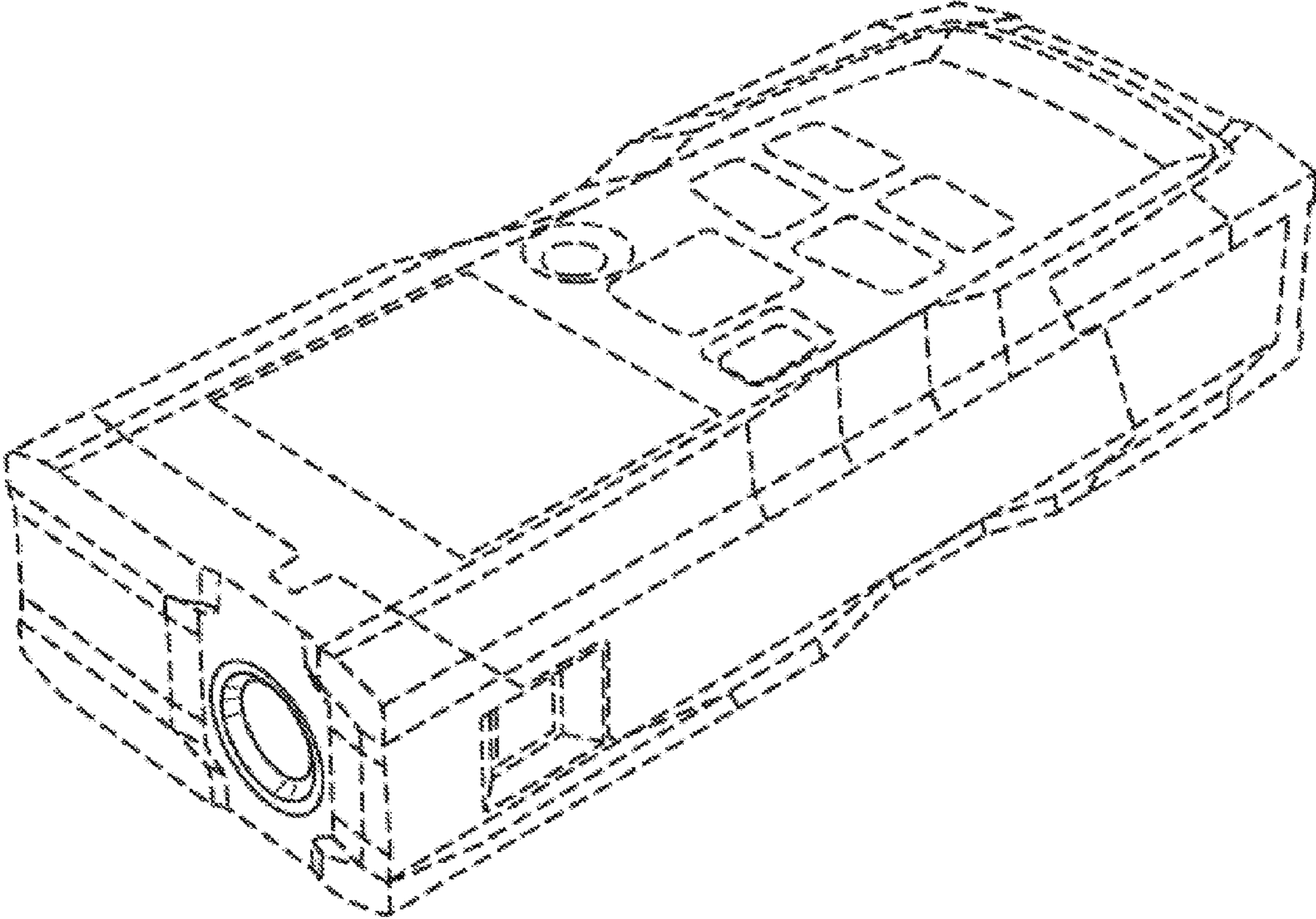


FIG. 1

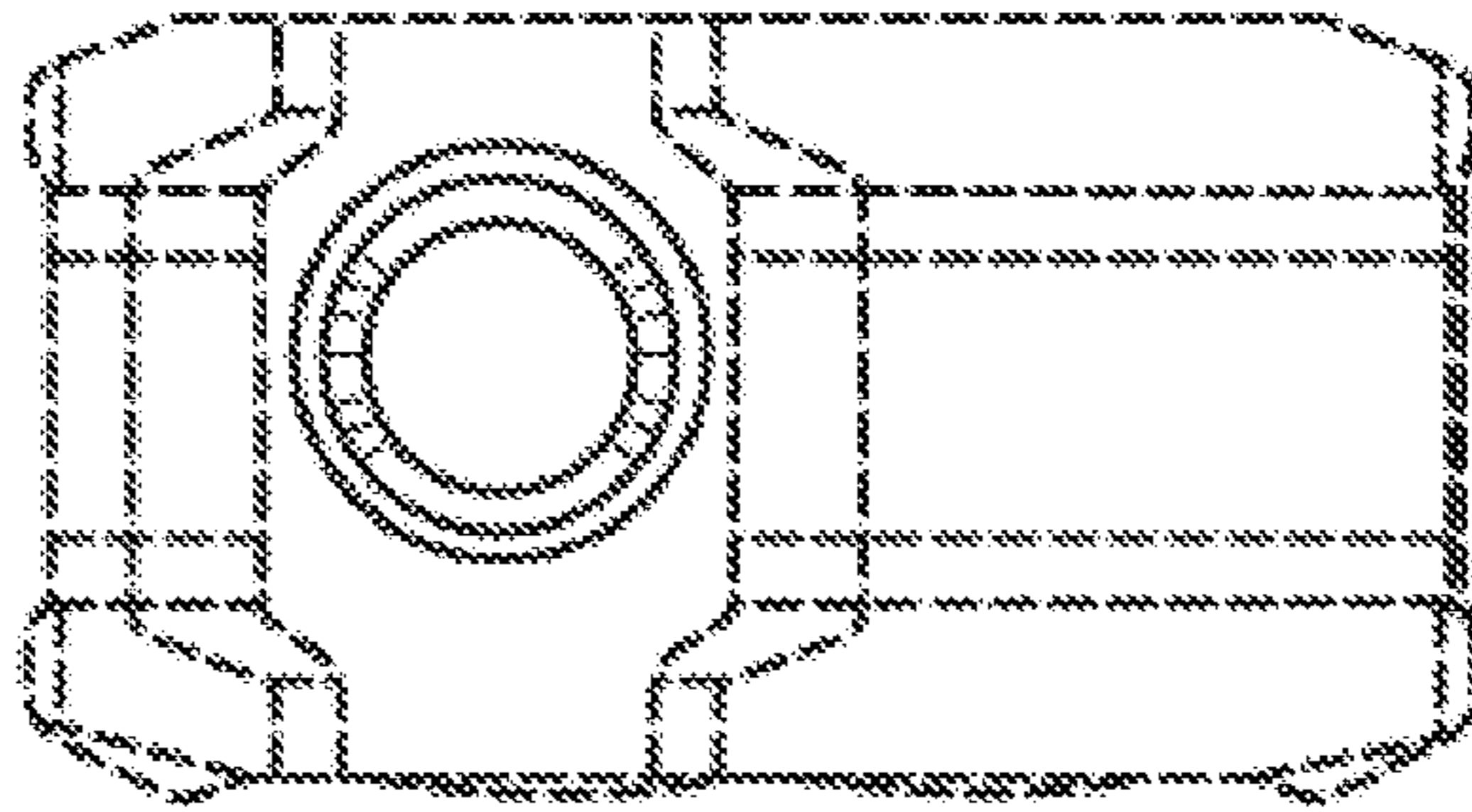


FIG. 2

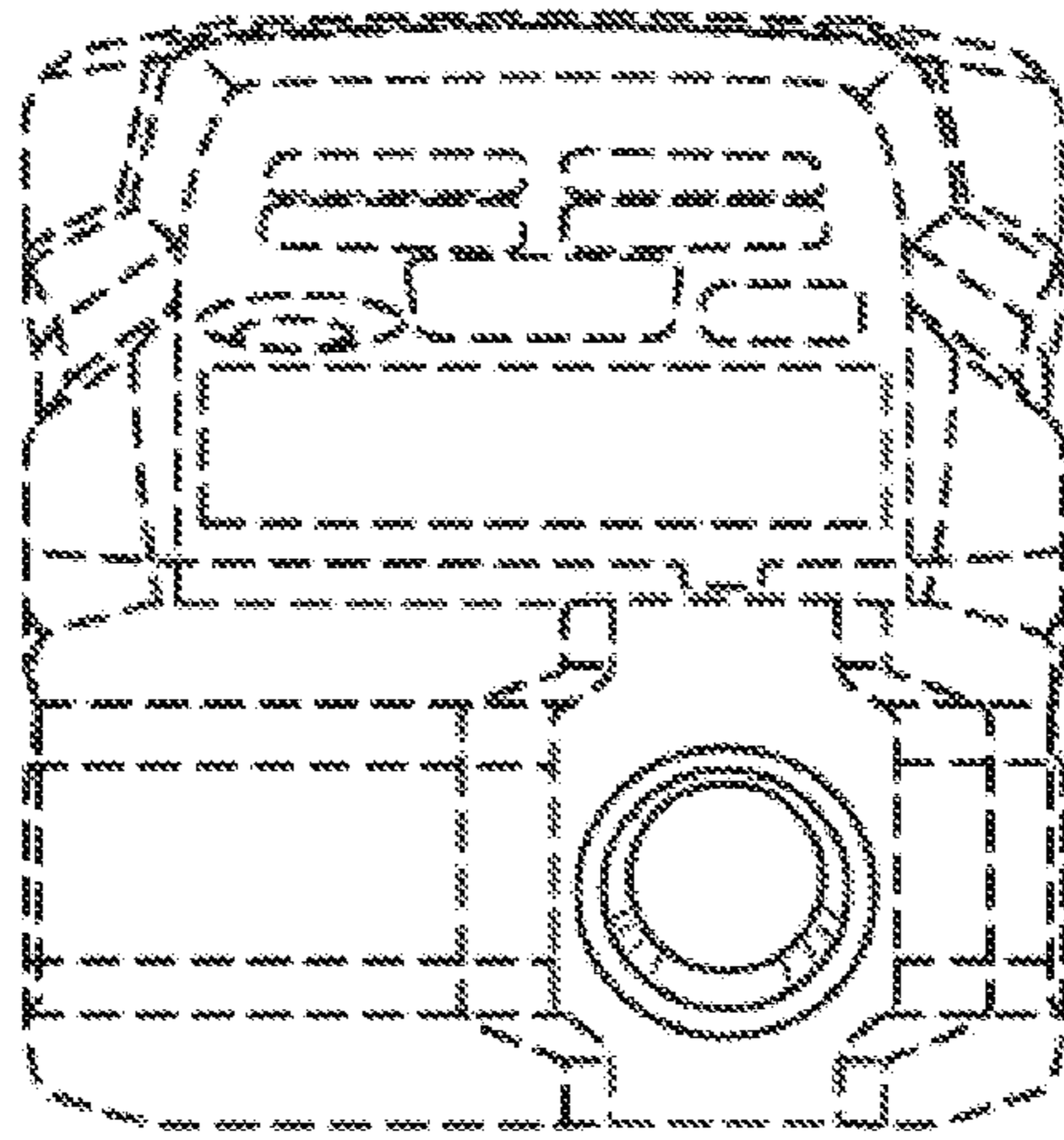


FIG. 3