



US00D693715S

(12) **United States Design Patent**  
**Pichler et al.**

(10) **Patent No.:** **US D693,715 S**  
(45) **Date of Patent:** **\*\* Nov. 19, 2013**

(54) **FULL KIOSK**

(56) **References Cited**

(71) Applicant: **Orthera, Inc.**, San Diego, CA (US)

U.S. PATENT DOCUMENTS

(72) Inventors: **Thomas Pichler**, San Diego, CA (US);  
**Sonja Pichler**, San Diego, CA (US);  
**Cristobal Gonzalez**, San Diego, CA  
(US); **Craig Payea Kolberg**, San Diego,  
CA (US); **Nolan Bedford**, San Diego,  
CA (US)

6,782,340 B1 \* 8/2004 Komatsu et al. .... 702/173  
D523,367 S \* 6/2006 Lawler et al. .... D10/93  
7,550,682 B2 \* 6/2009 Lawler et al. .... 177/25.16  
D615,437 S \* 5/2010 Li et al. .... D10/93  
D645,369 S \* 9/2011 Rhein et al. .... D10/93

\* cited by examiner

(\*\*) Term: **14 Years**

*Primary Examiner* — Antoine D Davis

(21) Appl. No.: **29/453,077**

(74) *Attorney, Agent, or Firm* — Kilpatrick Townsend &  
Stockton LLP

(22) Filed: **Apr. 24, 2013**

(57) **CLAIM**

The ornamental design for a full kiosk, as shown and  
described.

(51) **LOC (9) Cl.** ..... **10-04**

**DESCRIPTION**

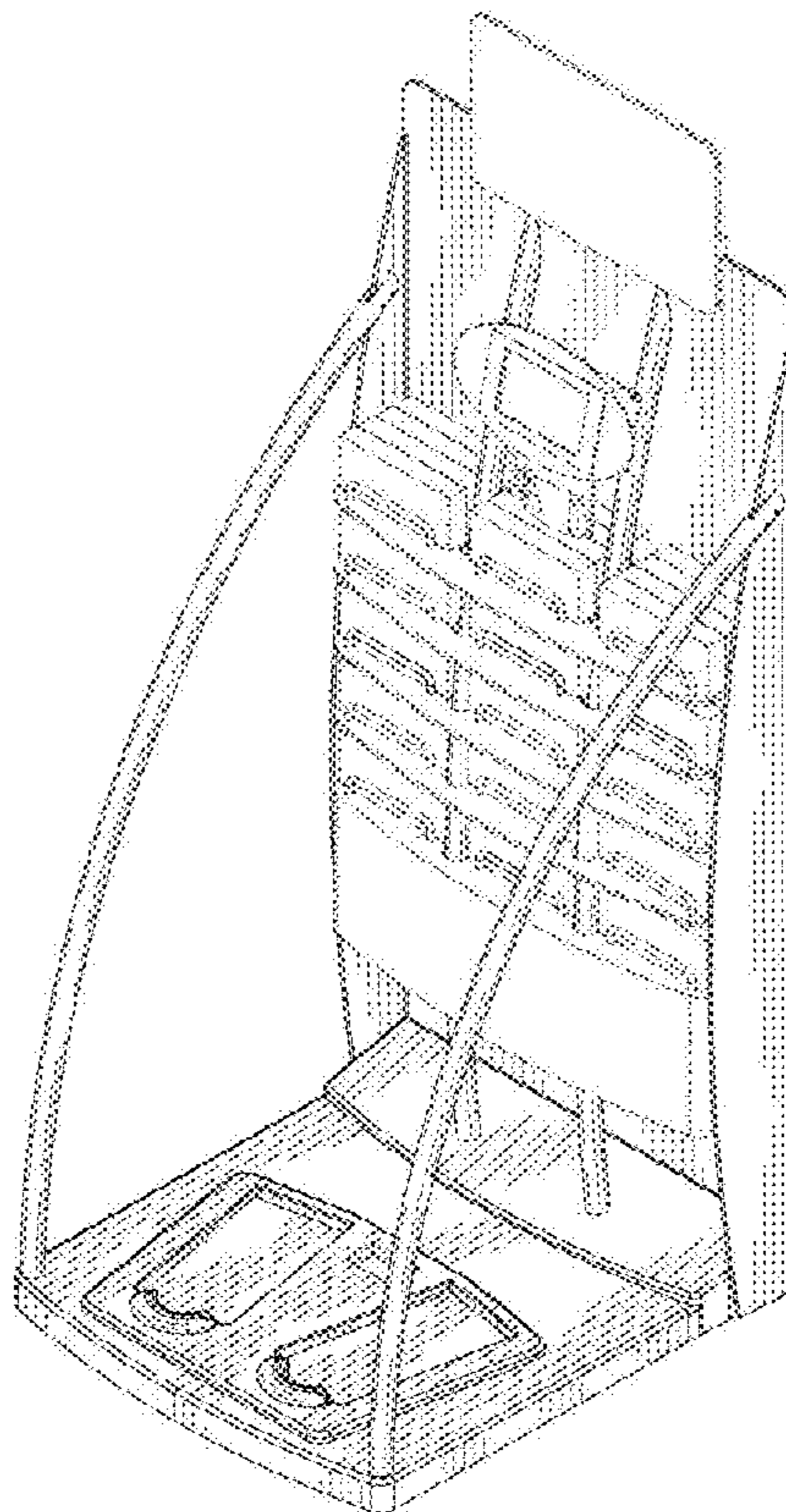
(52) **U.S. Cl.**  
USPC ..... **D10/93**

(58) **Field of Classification Search**  
USPC ..... D10/93-94; 177/25.12-25.18,  
177/238-245, 177, 126, 1, 181, 210 R,  
177/210 C, 25, 30, 127, DIG. 3, 130, 140,  
177/246, 253, 25.13, 25.16, 25.19;  
600/506, 547, 592, 587, 595, 556, 554;  
116/67 R; 128/905; 174/520; 340/626;  
361/679.06, 730, 752; 702/173

FIG. 1 is a perspective view of a full kiosk showing my new  
design;  
FIG. 2 is a front elevational view thereof;  
FIG. 3 is a rear elevational view thereof;  
FIG. 4 is a right side elevational view thereof;  
FIG. 5 is a left side elevational view thereof;  
FIG. 6 is a top plan view thereof; and,  
FIG. 7 is a bottom plan view thereof.  
The broken line showing of environmental matter is for illus-  
trative purposes only and forms no part of the claimed design.

See application file for complete search history.

**1 Claim, 6 Drawing Sheets**



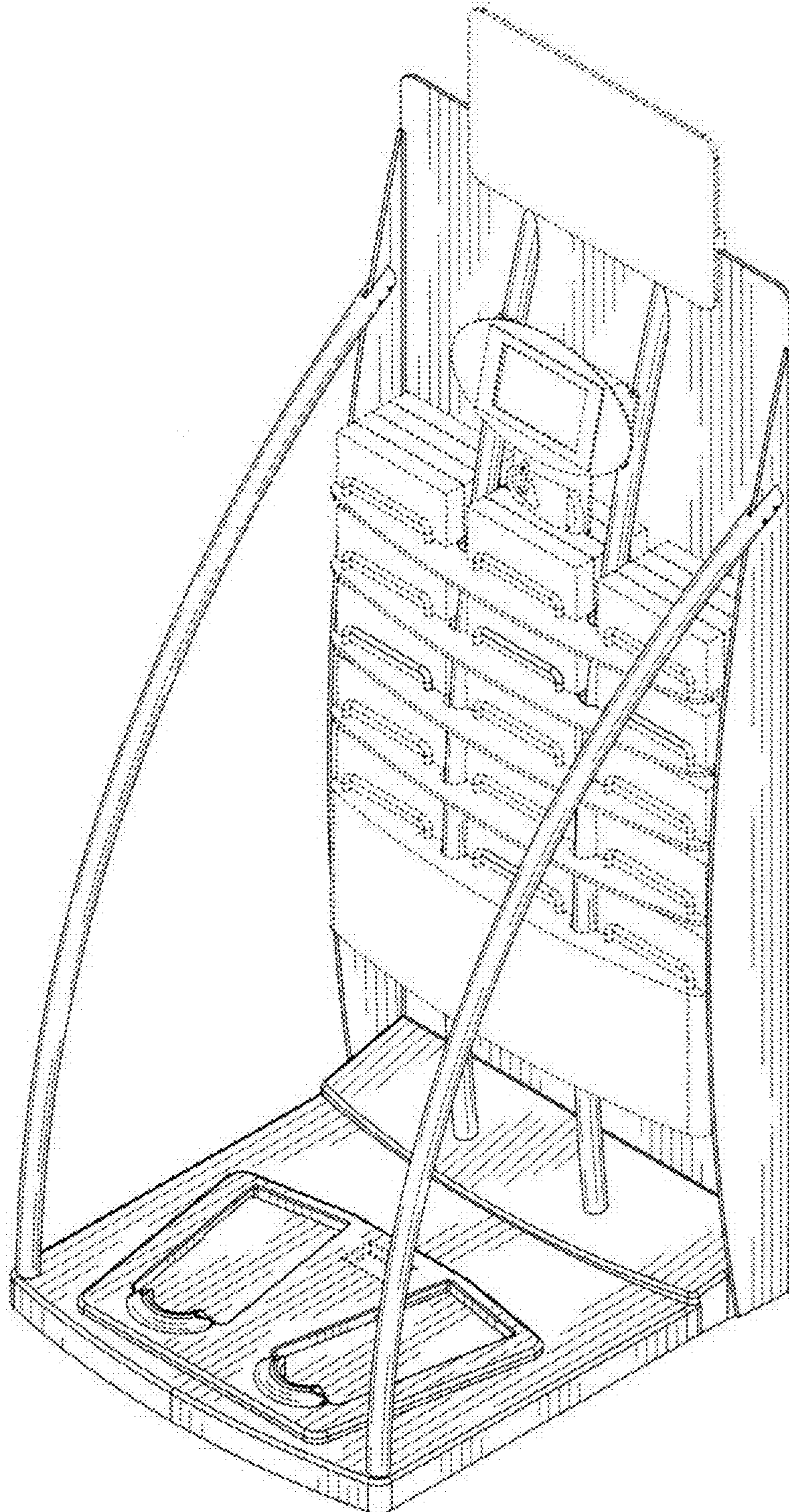


FIG. 1

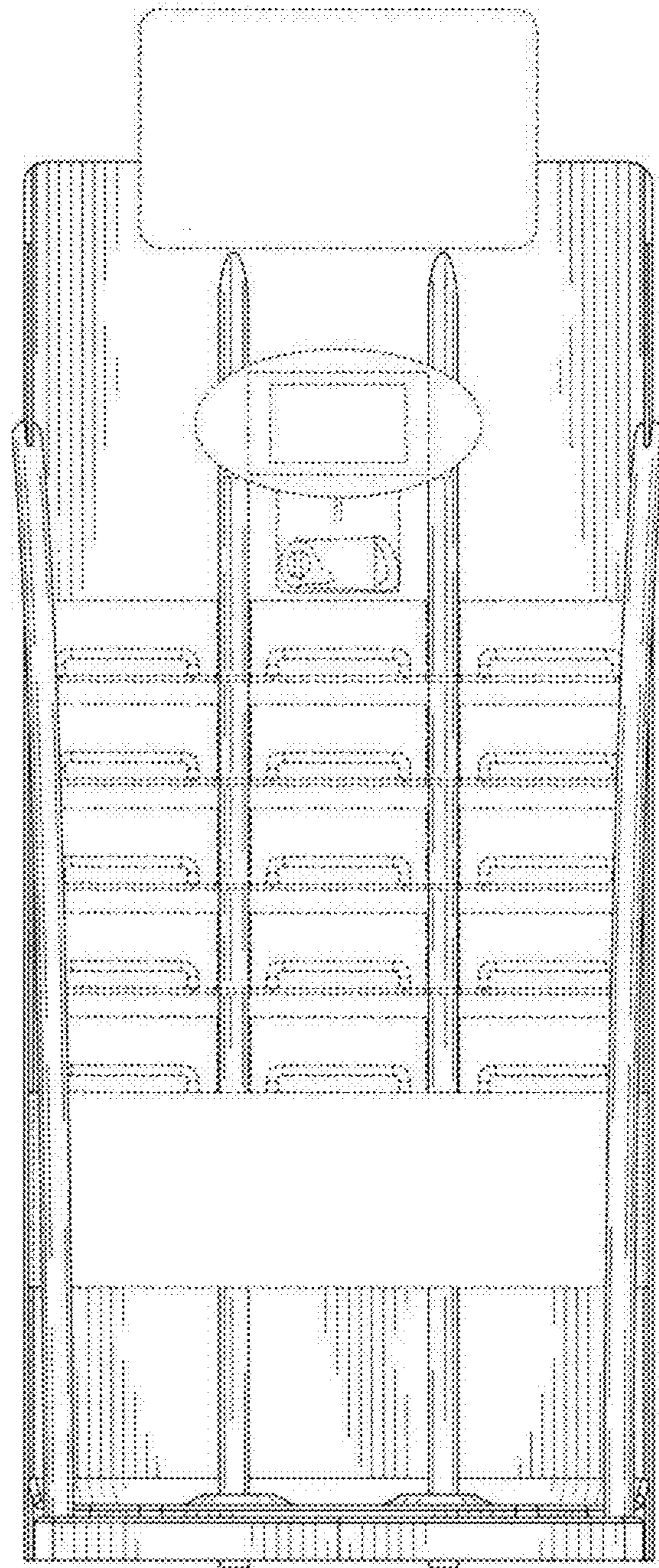


FIG. 2

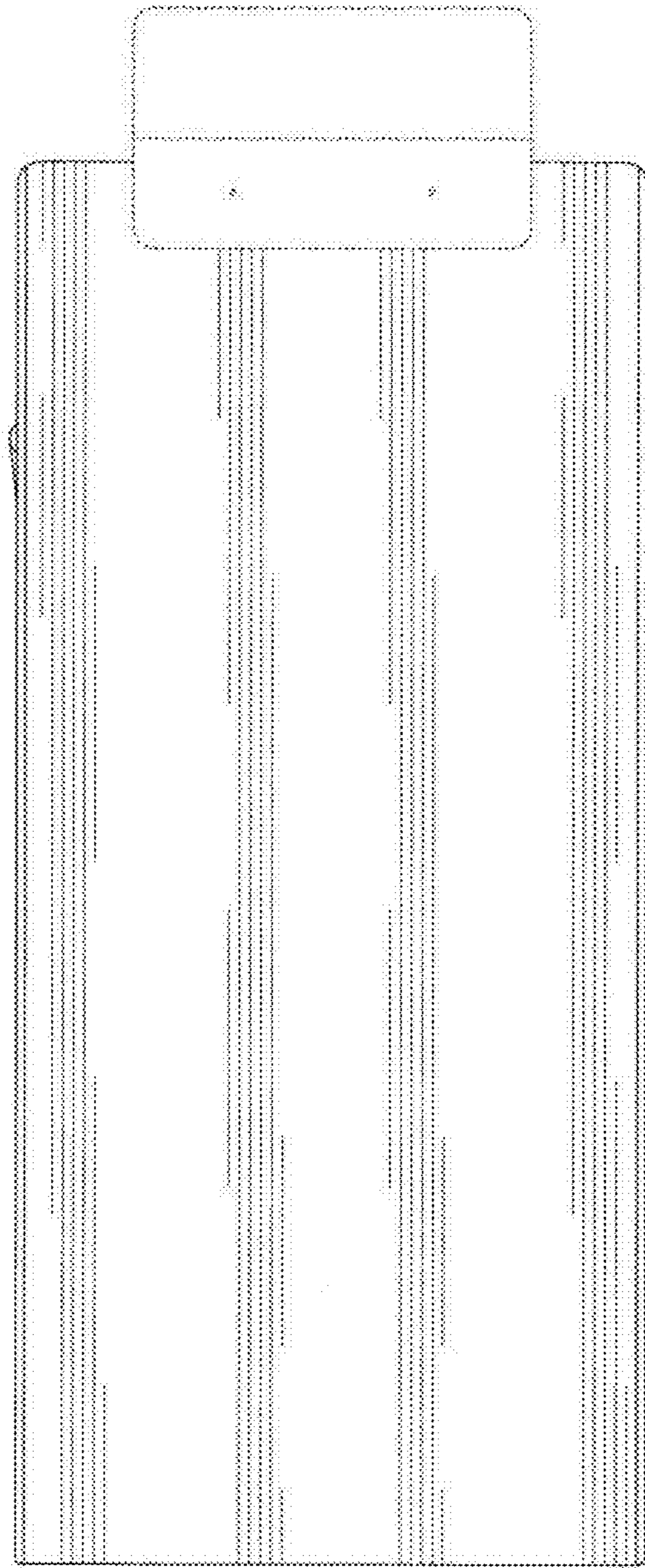


FIG. 3

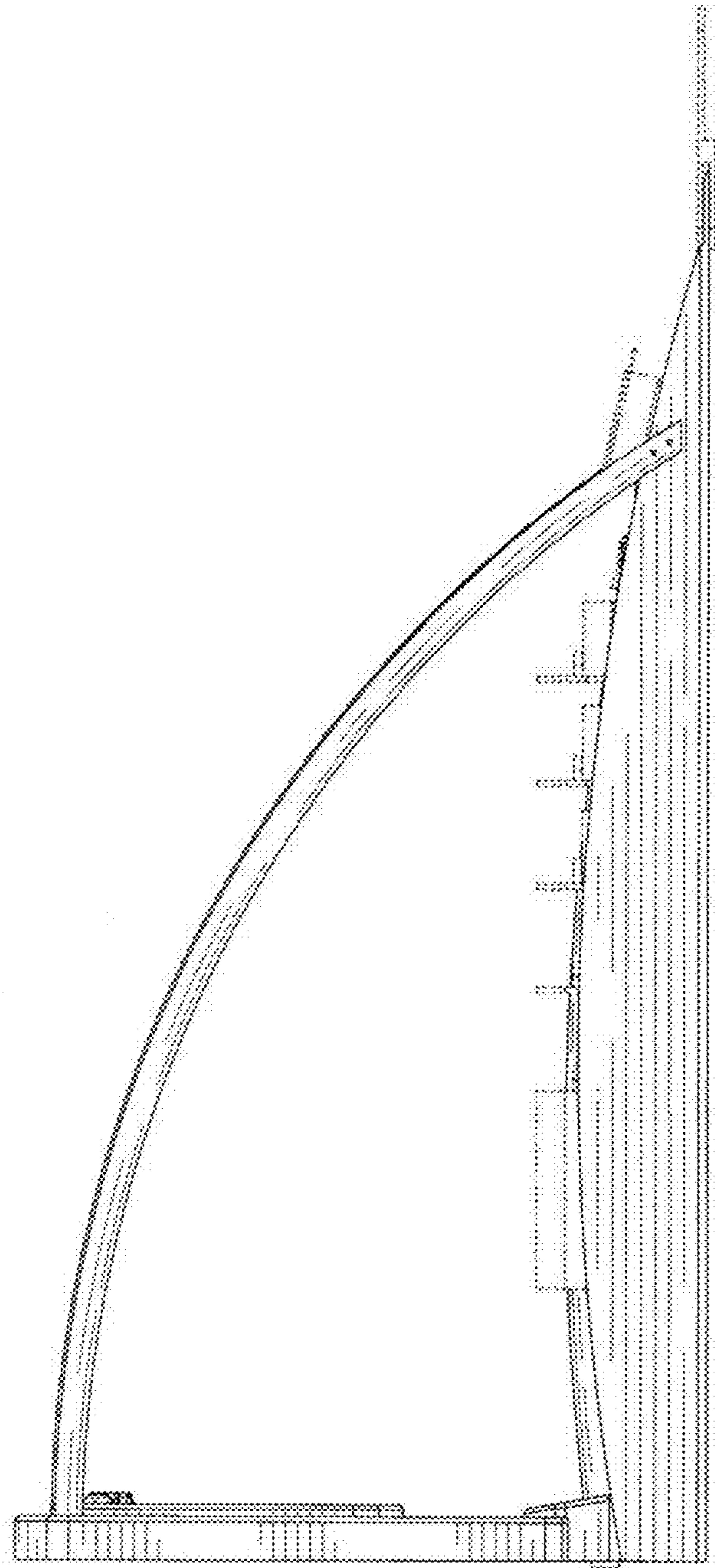


FIG. 4

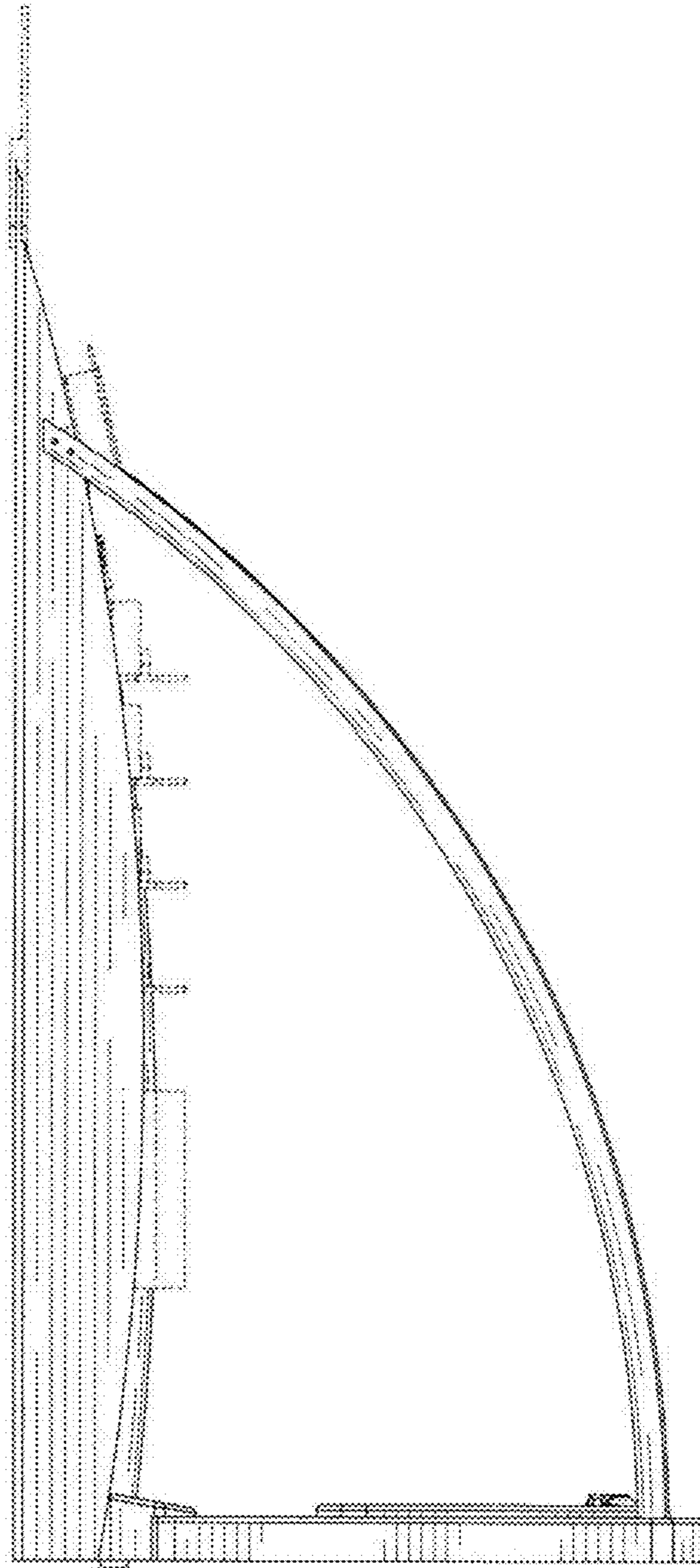


FIG. 5

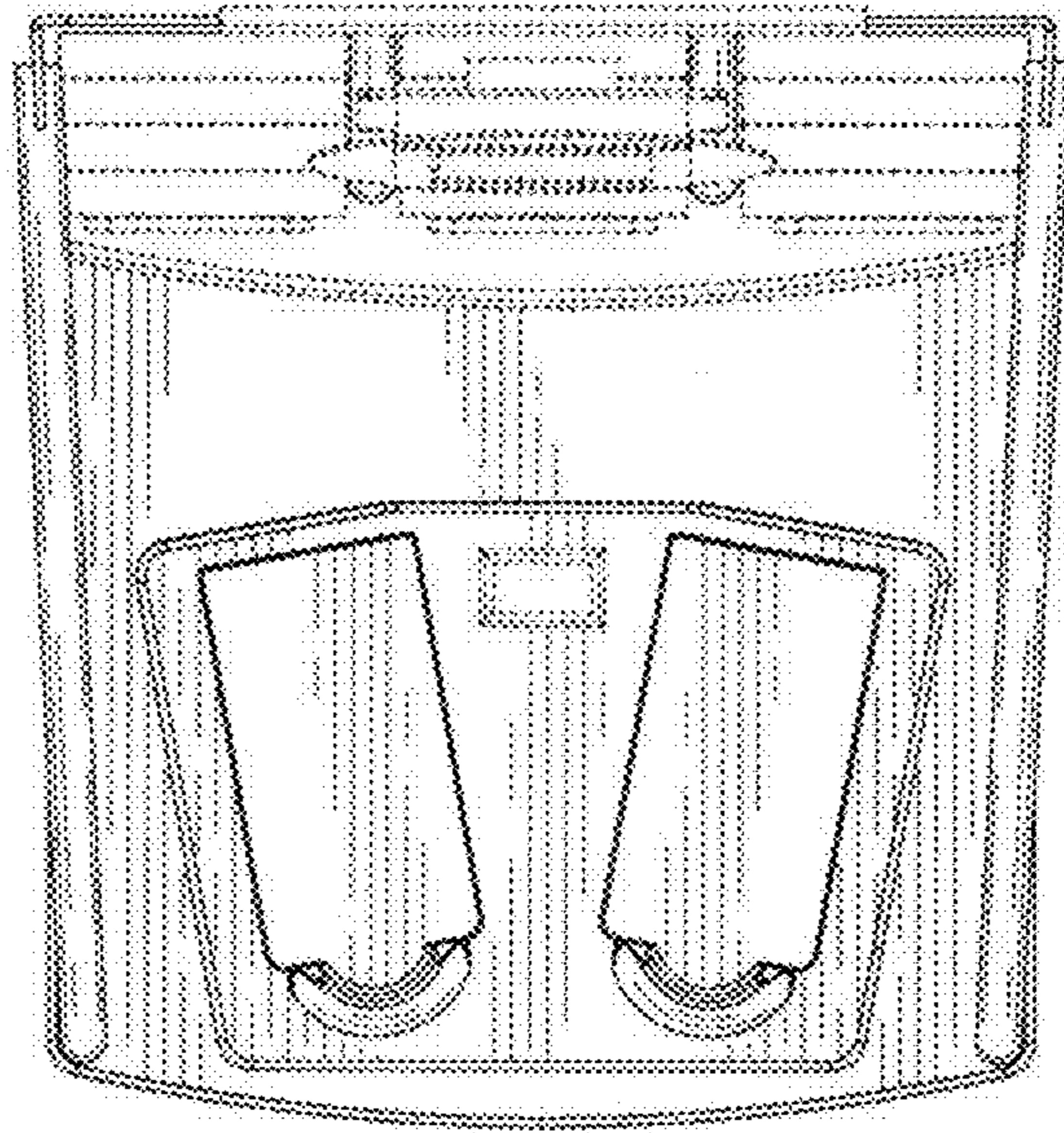


FIG. 6

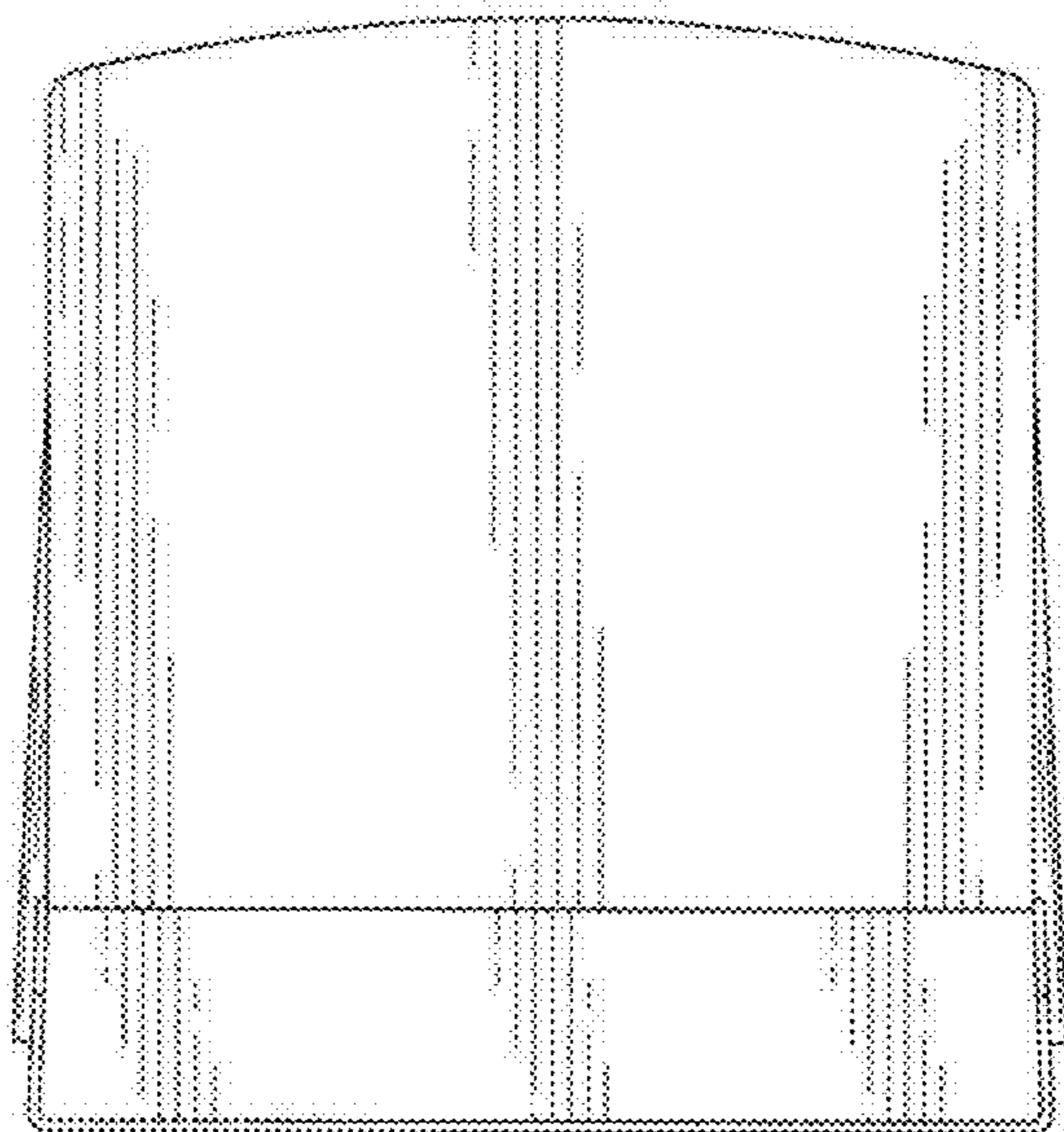


FIG. 7