



US00D693711S

(12) **United States Design Patent**
Jacobs et al.

(10) **Patent No.:** **US D693,711 S**
(45) **Date of Patent:** **** Nov. 19, 2013**

(54) **MOTION SENSOR WITH MICROPHONE**

(71) Applicant: **Microsoft Corporation**, Redmond, WA (US)

(72) Inventors: **Joel B. Jacobs**, Seattle, WA (US); **Scott Dallmeyer**, Seattle, WA (US); **Brett D. Christie**, Seattle, WA (US); **Carl J. Ledbetter**, Mercer Island, WA (US); **Audrey C. Louchart**, Seattle, WA (US); **Saro Nalbandian**, Redmond, WA (US); **Gregory G. Jones**, Redmond, WA (US)

(73) Assignee: **Microsoft Corporation**, Redmond, WA (US)

(**) Term: **14 Years**

(21) Appl. No.: **29/447,125**

(22) Filed: **Feb. 28, 2013**

(51) **LOC (9) Cl.** **10-04**

(52) **U.S. Cl.**
USPC **D10/70; D10/106.6**

(58) **Field of Classification Search**
USPC D10/65, 70, 75, 78, 97, 106.1–106.8;
D14/138 R, 138 AA, 138 AB, 138 AC,
D14/138 AD, 341–347, 507–510, 136, 167,
D14/168, 496, 498, 499, 500, 125–134, 239,
D14/371, 374–377, 440, 450, 448, 336,
D14/342; 343/702; 345/87, 104, 133, 156,
345/168, 173, 901–905, 165; 348/180, 184,
348/315, 739, 836, 838, 325; 364/444, 499;
701/408–418, 431, 432, 537; 312/7.2;
341/12; 720/605, 669, 600, 655;
369/99, 197; 455/344, 347, 575.1;
250/221, 338.3, 340, 239, 342, 341,
250/DIG. 1, 353; 307/116, 117; 340/521,
340/527, 541, 567, 540, 568.2, 539.23, 635,
340/687; 315/159; 324/72.5, 556, 133, 149,
324/503, 543, 555, 66, 72, 754, 115, 141,
324/522; 73/615, 624, 627, 644, 514.33,

73/514.34, 510, 513, 527, 530;
356/3.01–5.15; 235/105; 377/5, 24.2,
377/26; 702/155, 160, 176, 78, 79, 82,
702/91–95, 104, 116, 141, 150, 151, 154,
702/127, 131, 182, 183, 189; 600/437, 443,
600/453, 459, 465, 479, 500, 502, 595, 485,
600/481, 483

See application file for complete search history.

(56) **References Cited**

U.S. PATENT DOCUMENTS

D430,500 S *	9/2000	Chen	D10/106.1
D449,244 S *	10/2001	Ginzel	D10/106.6
D625,632 S *	10/2010	Takahara et al.	D10/70
D669,801 S *	10/2012	Vroonen	D10/70
2013/0003144 A1 *	1/2013	Finnegan et al.	358/483

* cited by examiner

Primary Examiner — Antoine D Davis

(74) *Attorney, Agent, or Firm* — Banner & Witcoff, Ltd.

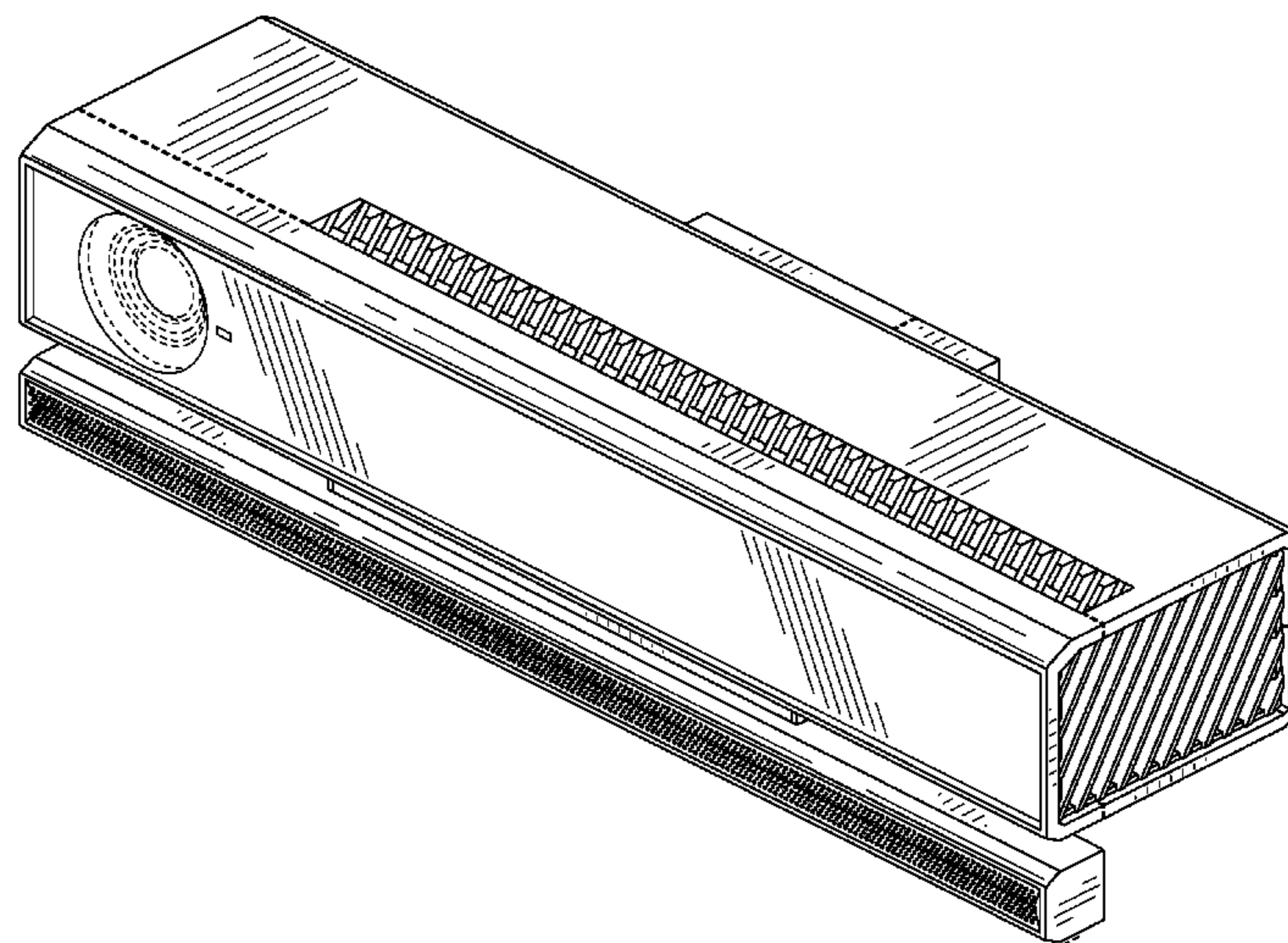
(57) **CLAIM**

The ornamental design for a motion sensor with microphone, as shown and described.

DESCRIPTION

FIG. 1 is a perspective view of a motion sensor with microphone showing our new design;
FIG. 2 is a front view thereof;
FIG. 3 is a rear view thereof;
FIG. 4 is a right side view thereof;
FIG. 5 is a left side view thereof;
FIG. 6 is a top view thereof; and,
FIG. 7 is a bottom view thereof.
The broken line showings of various regions of the motion sensor with microphone and the unshaded areas therein in FIGS. 1-7 are for environmental purposes only and form no part of the claimed design.

1 Claim, 6 Drawing Sheets



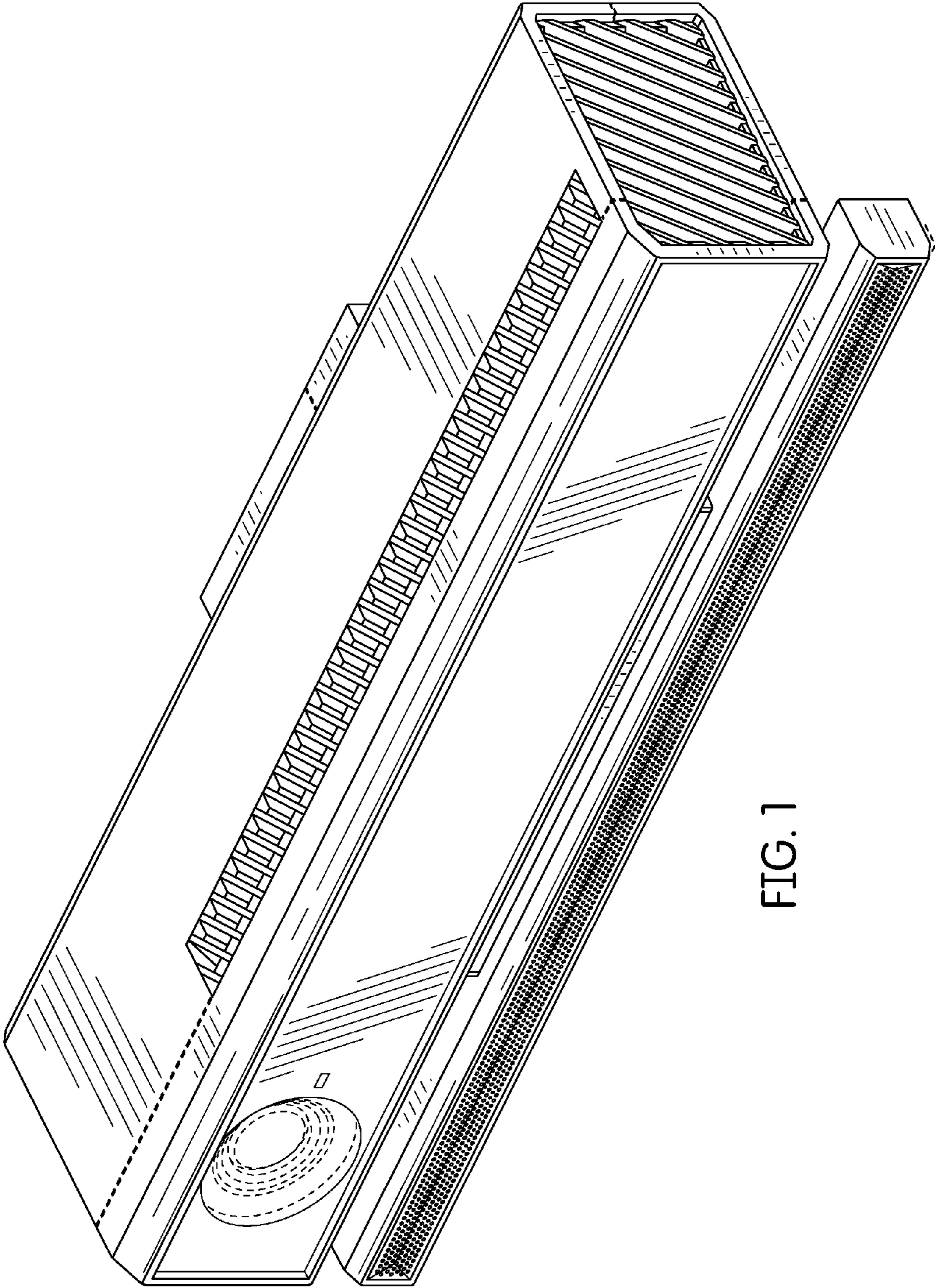


FIG. 1

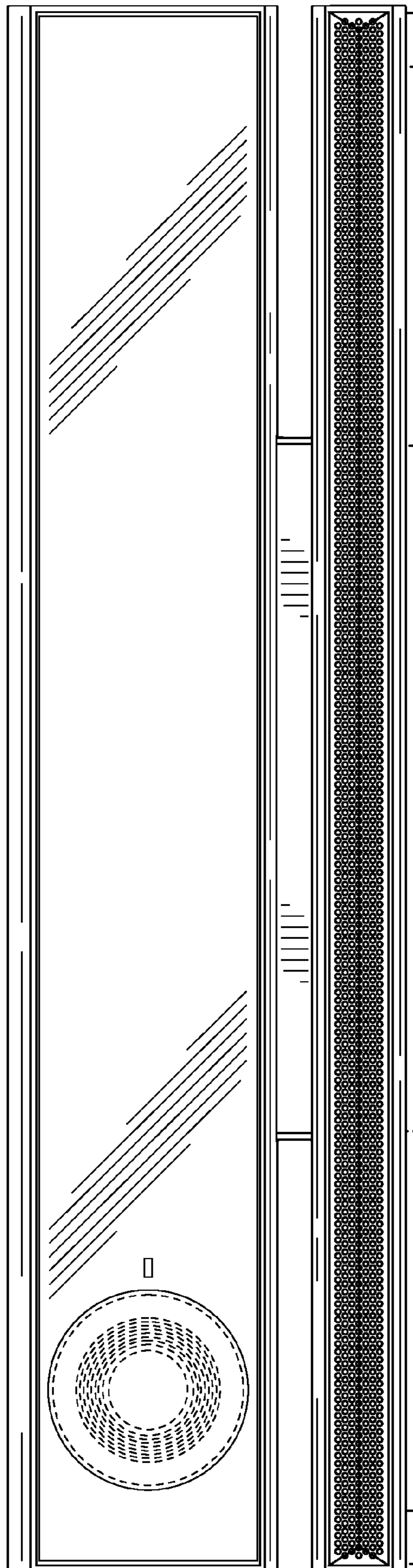


FIG. 2

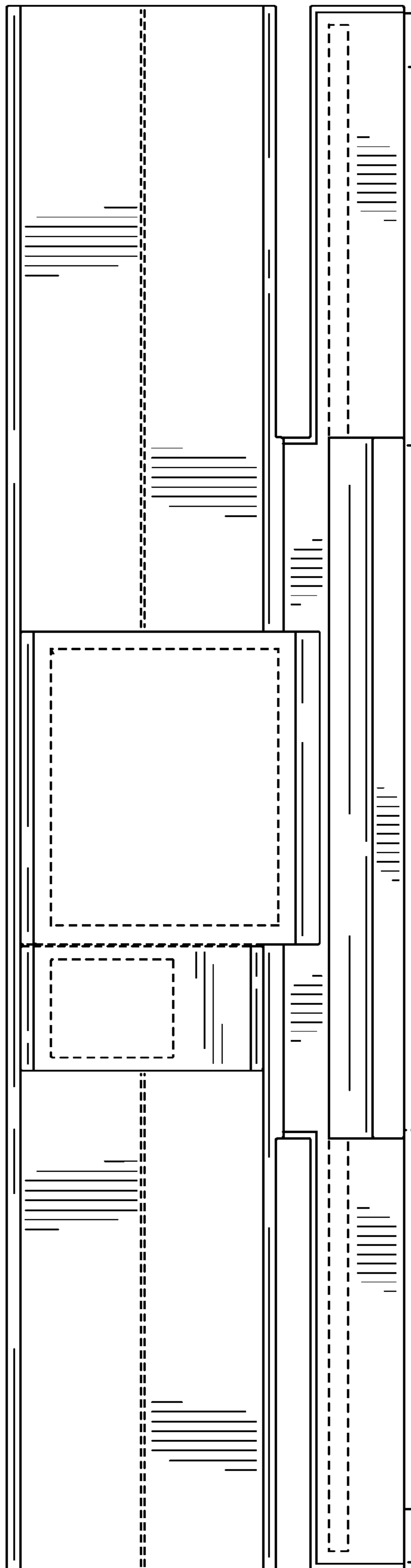


FIG. 3

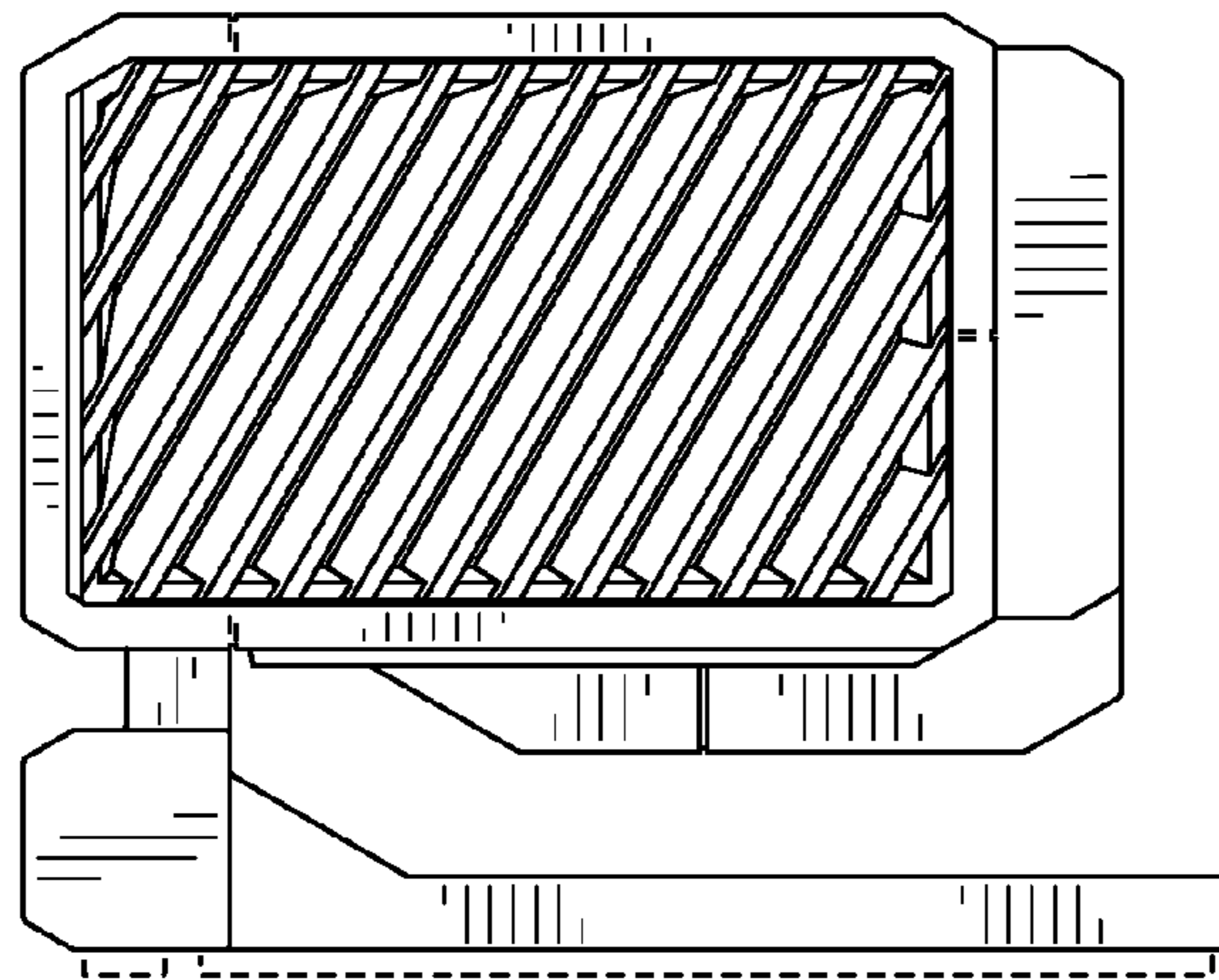


FIG. 4

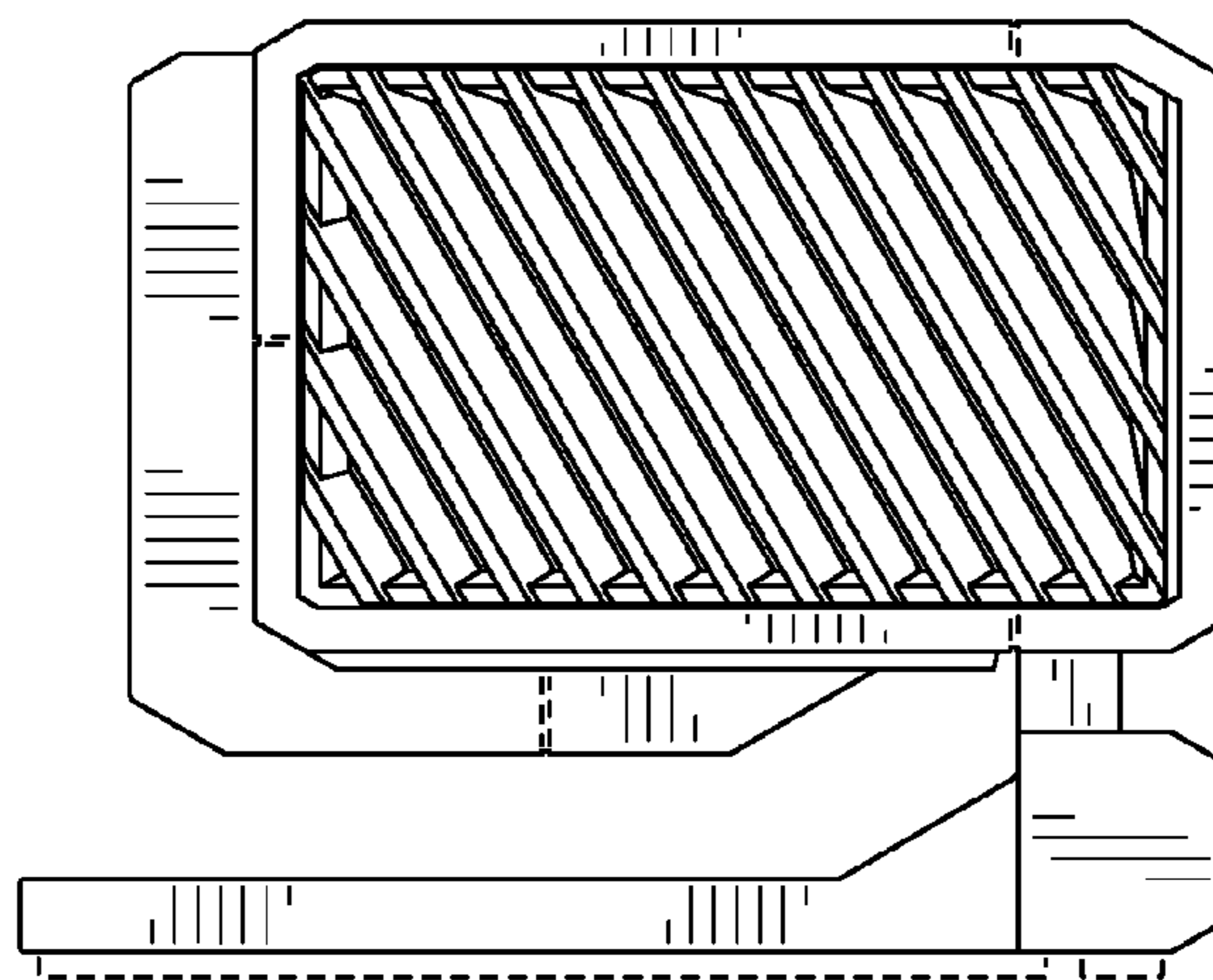


FIG. 5

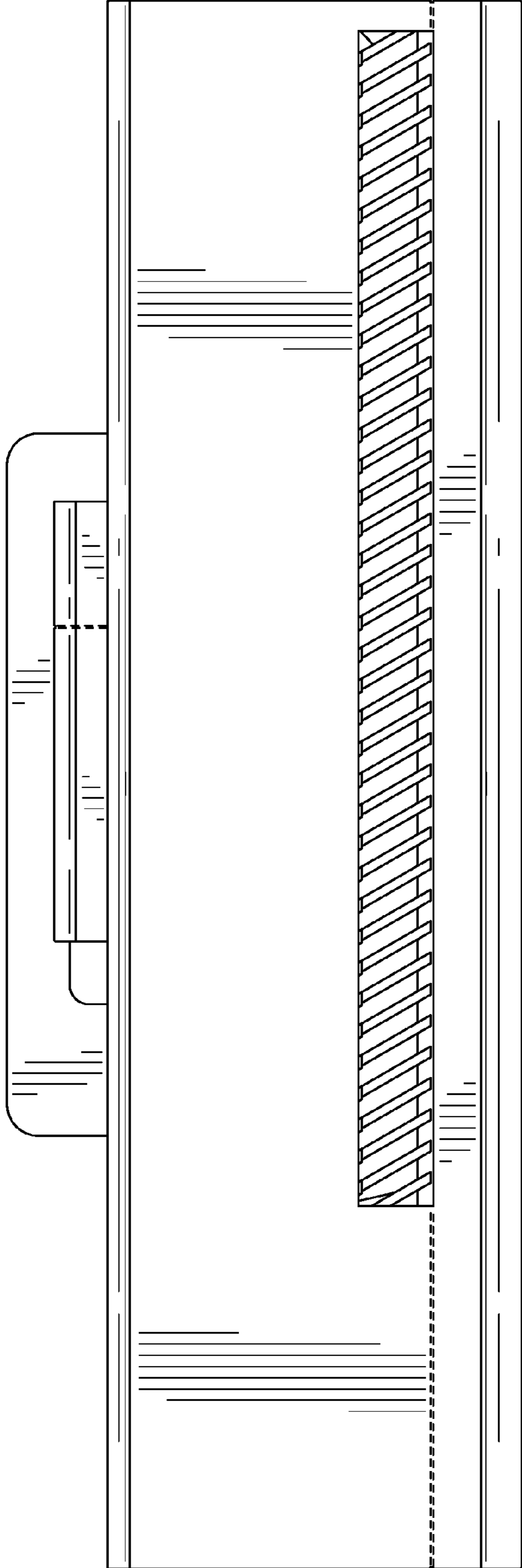


FIG. 6

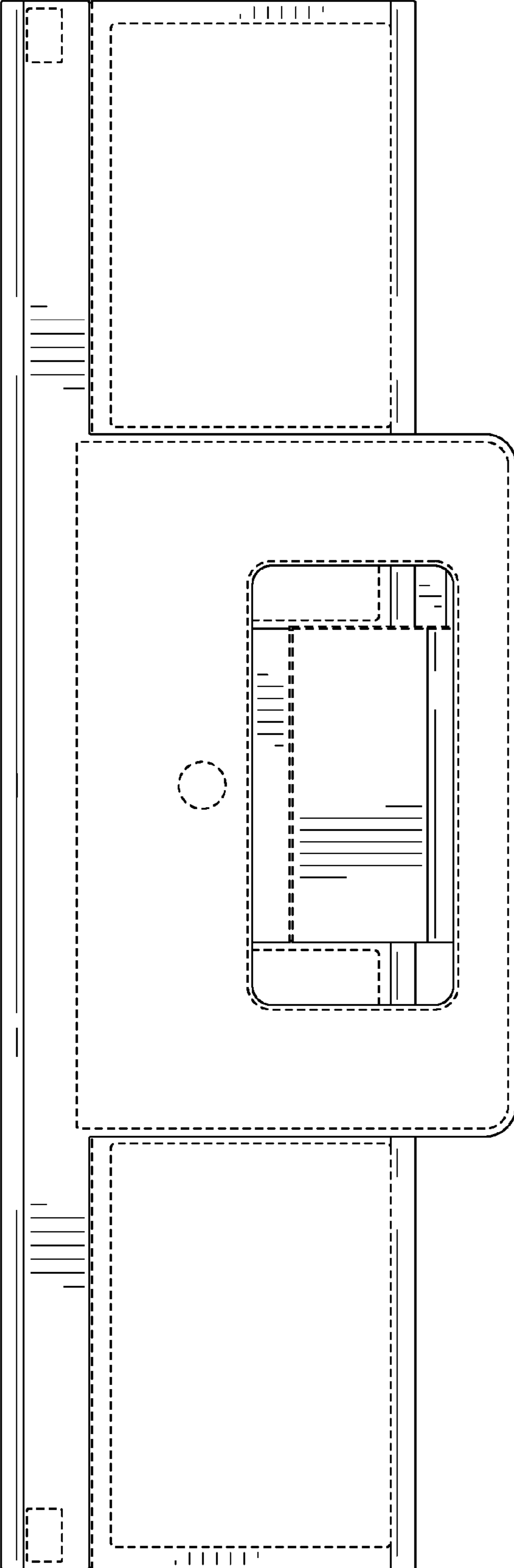


FIG. 7