



US00D693709S

(12) **United States Design Patent**
Lee et al.

(10) **Patent No.:** **US D693,709 S**
(45) **Date of Patent:** **** Nov. 19, 2013**

(54) **LOCATOR DEVICE** 600/453, 459, 465, 479, 500, 502, 595, 485,
600/481, 483

(71) Applicant: **Monster, LLC**, Las Vegas, NV (US) See application file for complete search history.

(72) Inventors: **Noel Lee**, Las Vegas, NV (US);
Kendrew Lee, Hong Kong (HK); **Tony Lo**, Hong Kong (HK); **Claudio Turrisi**,
Hong Kong (HK)

(56) **References Cited**

U.S. PATENT DOCUMENTS

5,835,013	A	*	11/1998	Duterte	340/539.23
D478,070	S	*	8/2003	Nagai et al.	D10/65
D488,731	S	*	4/2004	Barr	D10/69
D524,665	S	*	7/2006	Taisto	D10/65
D614,979	S	*	5/2010	McNames et al.	D10/65
D655,215	S	*	3/2012	Daniel	D10/70
2011/0192960	A1	*	8/2011	Feng et al.	250/214 R

(73) Assignee: **Monster, LLC.**, Las Vegas, NV (US)

(**) Term: **14 Years**

* cited by examiner

(21) Appl. No.: **29/441,220**

(22) Filed: **Jan. 2, 2013**

Primary Examiner — Antoine D Davis

(51) **LOC (9) Cl.** **10-04**

(74) *Attorney, Agent, or Firm* — LaRiviere, Grubman & Payne, LLP

(52) **U.S. Cl.**

USPC **D10/70; D10/65**

(58) **Field of Classification Search**

USPC D10/65, 70, 75, 78, 97; D14/138 R,
D14/138 AA, 138 AB, 138 AC, 138 AD,
D14/341–347, 507–510, 136, 167, 168, 496,
D14/498, 499, 500, 125–134, 239, 371,
D14/374–377, 440, 450, 448, 336, 342;
343/702; 345/87, 104, 133, 156, 168,
345/173, 901–905, 165; 348/180, 184, 315,
348/739, 836, 838, 325; 364/444, 499;
701/408–418, 431, 432, 537; 312/7.2;
341/12; 720/605, 669, 600, 655;
369/99, 197; 455/344, 347, 575.1;
250/221, 338.3, 340, 239, 342, 341,
250/DIG. 1, 353; 307/116, 117; 340/521,
340/527, 541, 567, 540, 568.2, 539.23, 635,
340/687; 315/159; 324/72.5, 556, 133, 149,
324/503, 543, 555, 66, 72, 754, 115, 141,
324/522; 73/615, 624, 627, 644, 514.33,
73/514.34, 510, 513, 527, 530;
356/3.01–5.15; 235/105; 377/5, 24.2,
377/26; 702/155, 160, 176, 78, 79, 82,
702/91–95, 104, 116, 141, 150, 151, 154,
702/127, 131, 182, 183, 189; 600/437, 443,

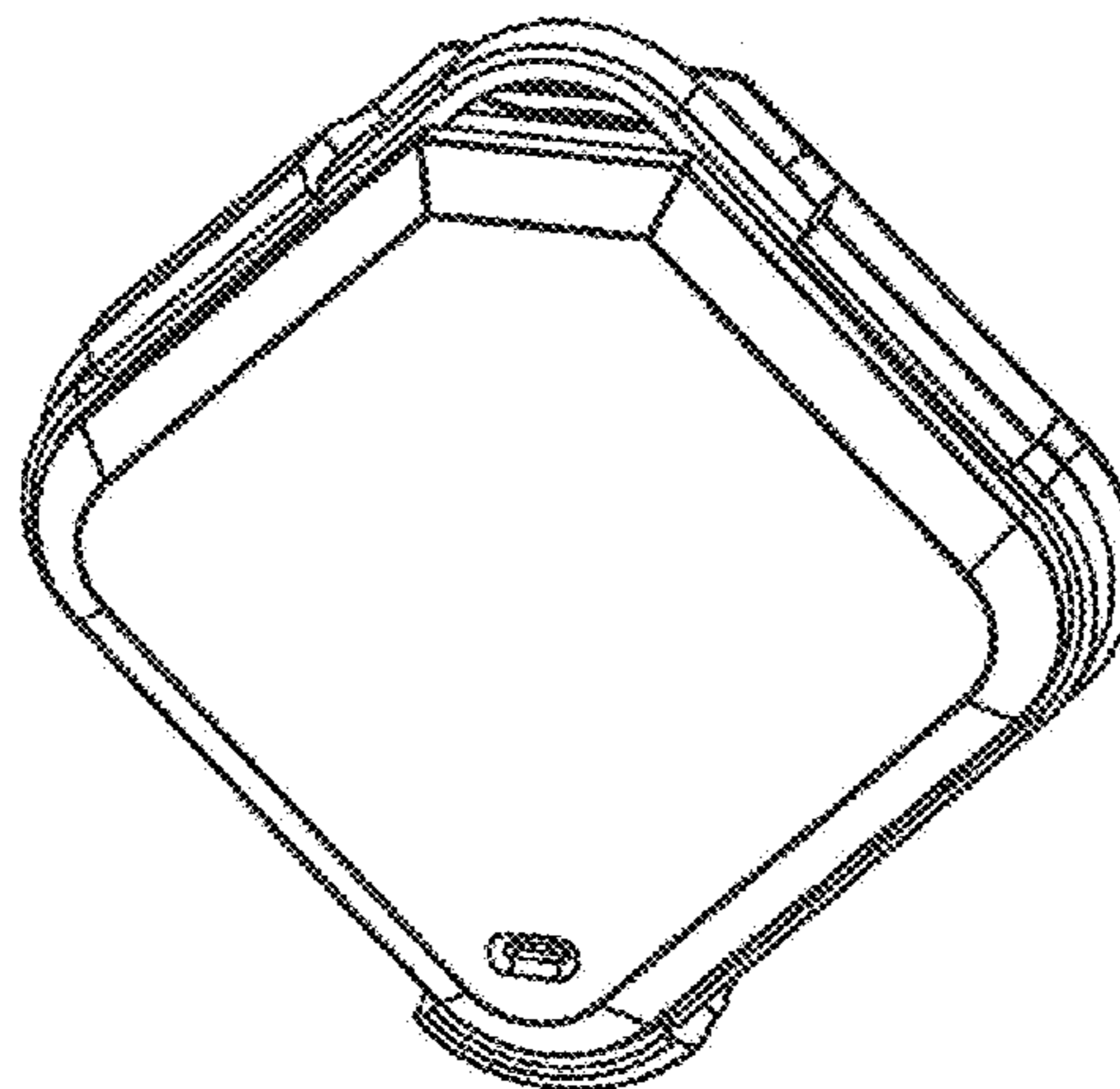
(57) **CLAIM**

The ornamental design for a locator device, as shown and described.

DESCRIPTION

FIG. 1 is a perspective view of a locator device, showing our design;
FIG. 2 is a front view thereof;
FIG. 3 is a rear view thereof;
FIG. 4 is a side view thereof;
FIG. 5 is an opposing side view thereof;
FIG. 6 is top view thereof;
FIG. 7 is a bottom view thereof;
FIG. 8 is a perspective view of an alternate embodiment of a locator device, showing our design;
FIG. 9 is a front view thereof;
FIG. 10 is a rear view thereof;
FIG. 11 is a side view thereof;
FIG. 12 is an opposing side view thereof;
FIG. 13 is top view thereof; and,
FIG. 14 is a bottom view thereof.

1 Claim, 2 Drawing Sheets



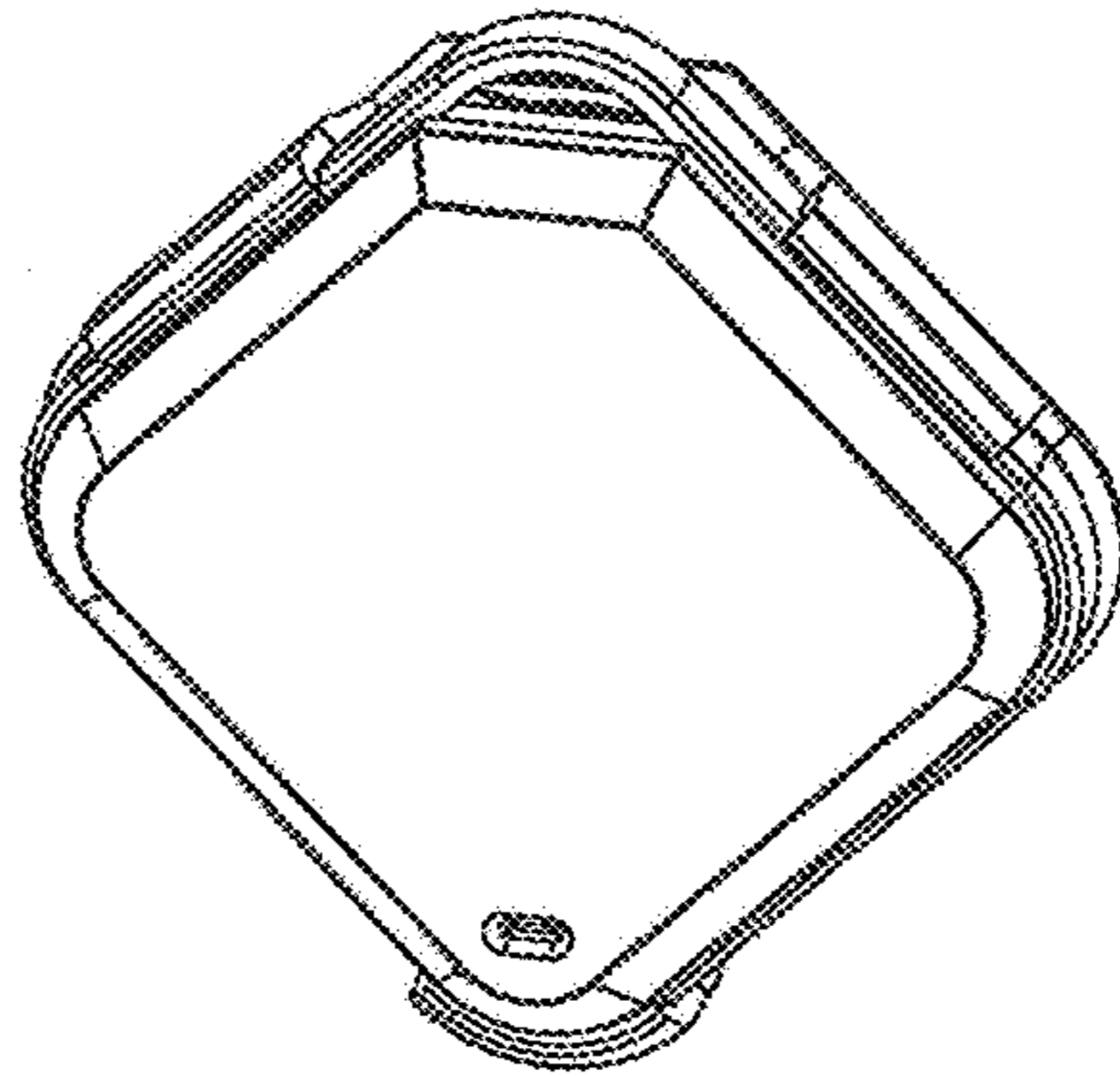


FIG. 1

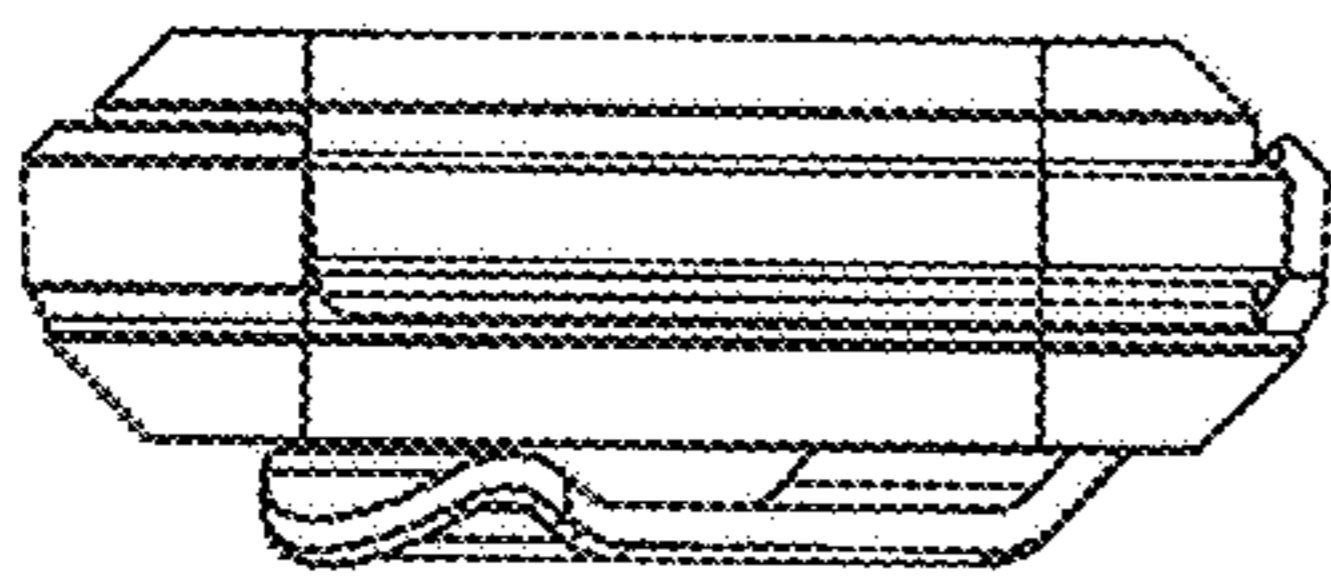


FIG. 2

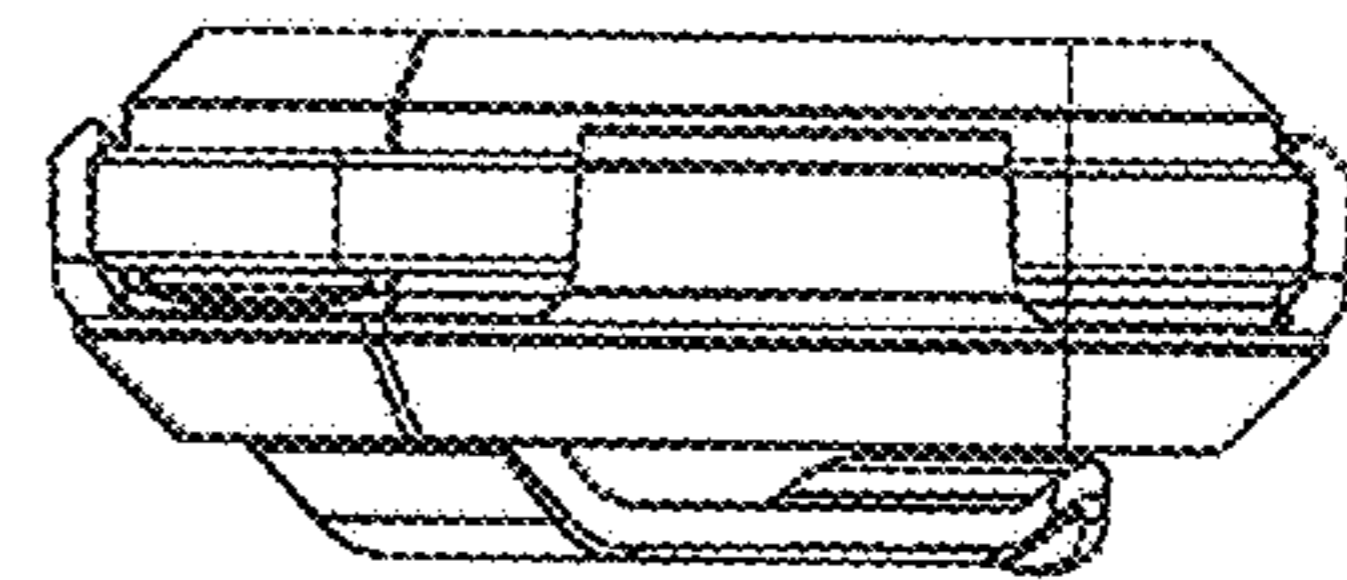


FIG. 3

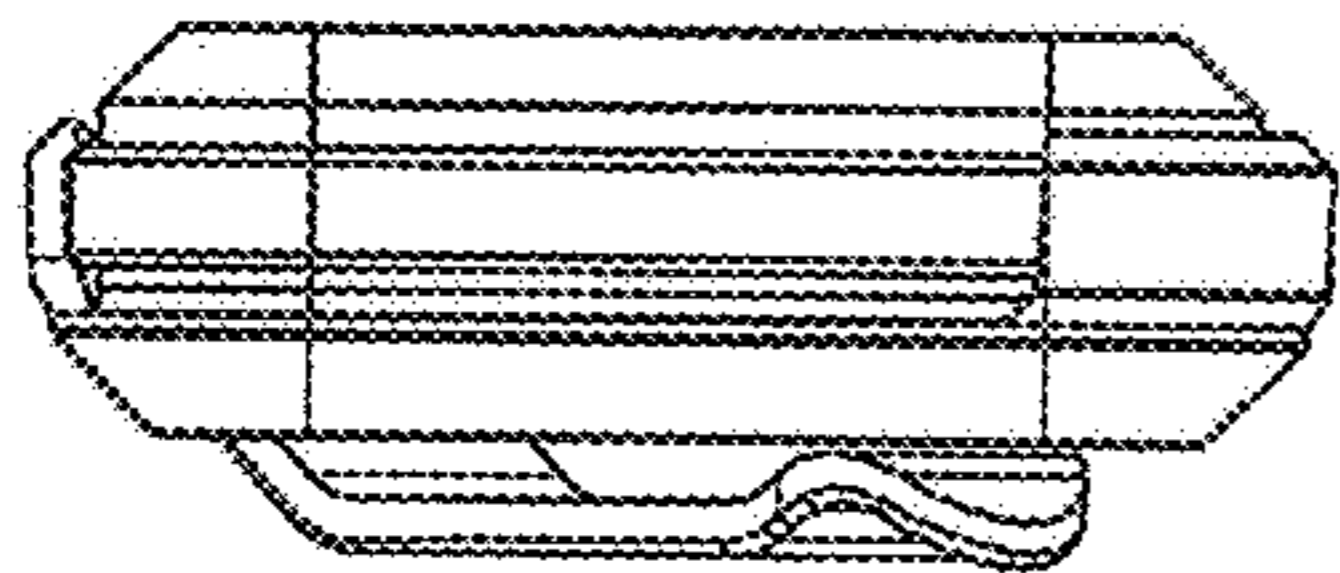


FIG. 4

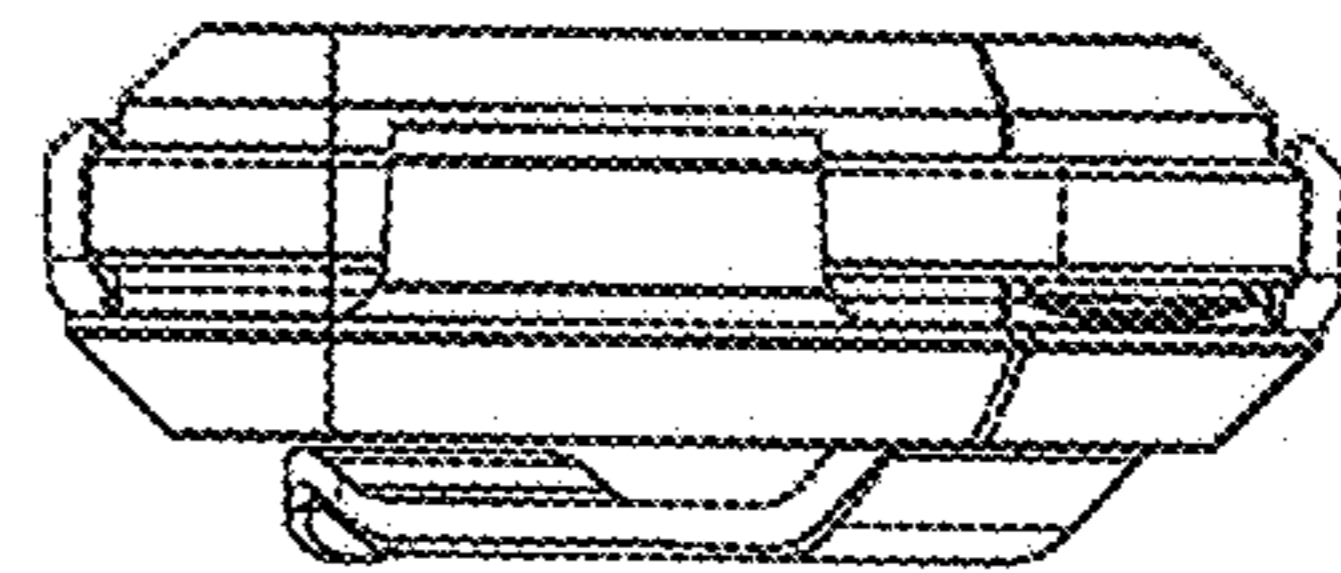


FIG. 5

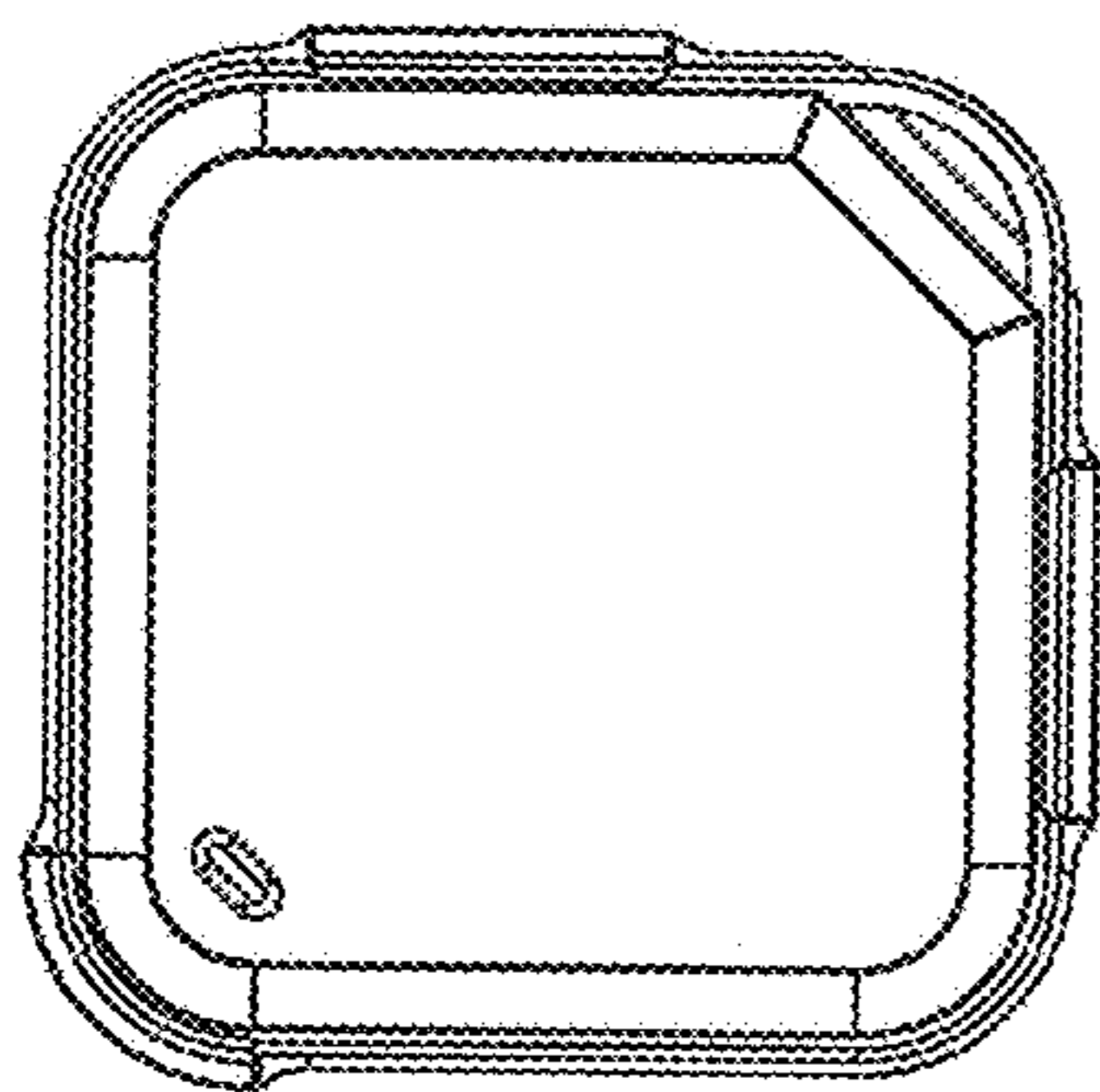


FIG. 6

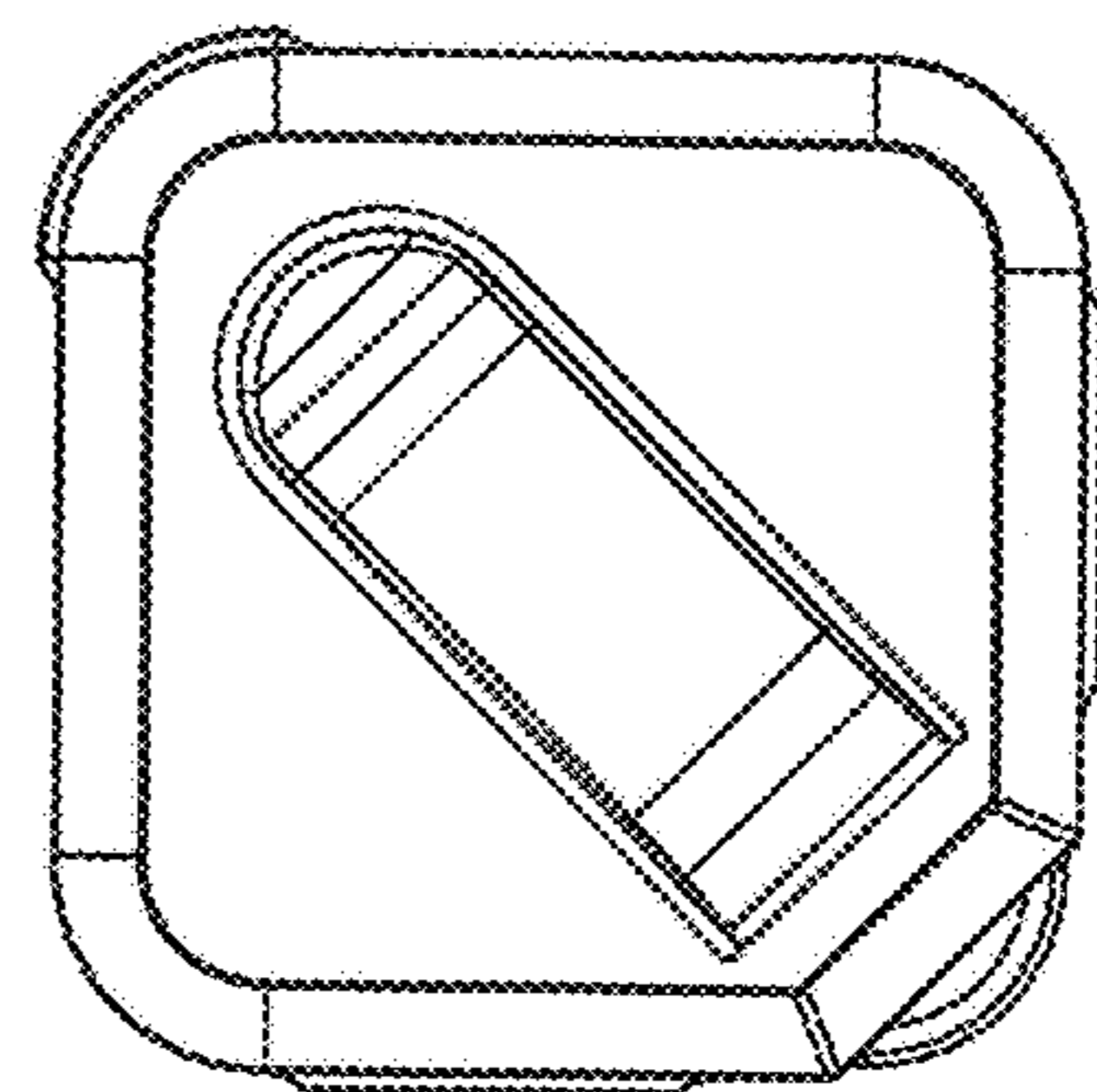


FIG. 7

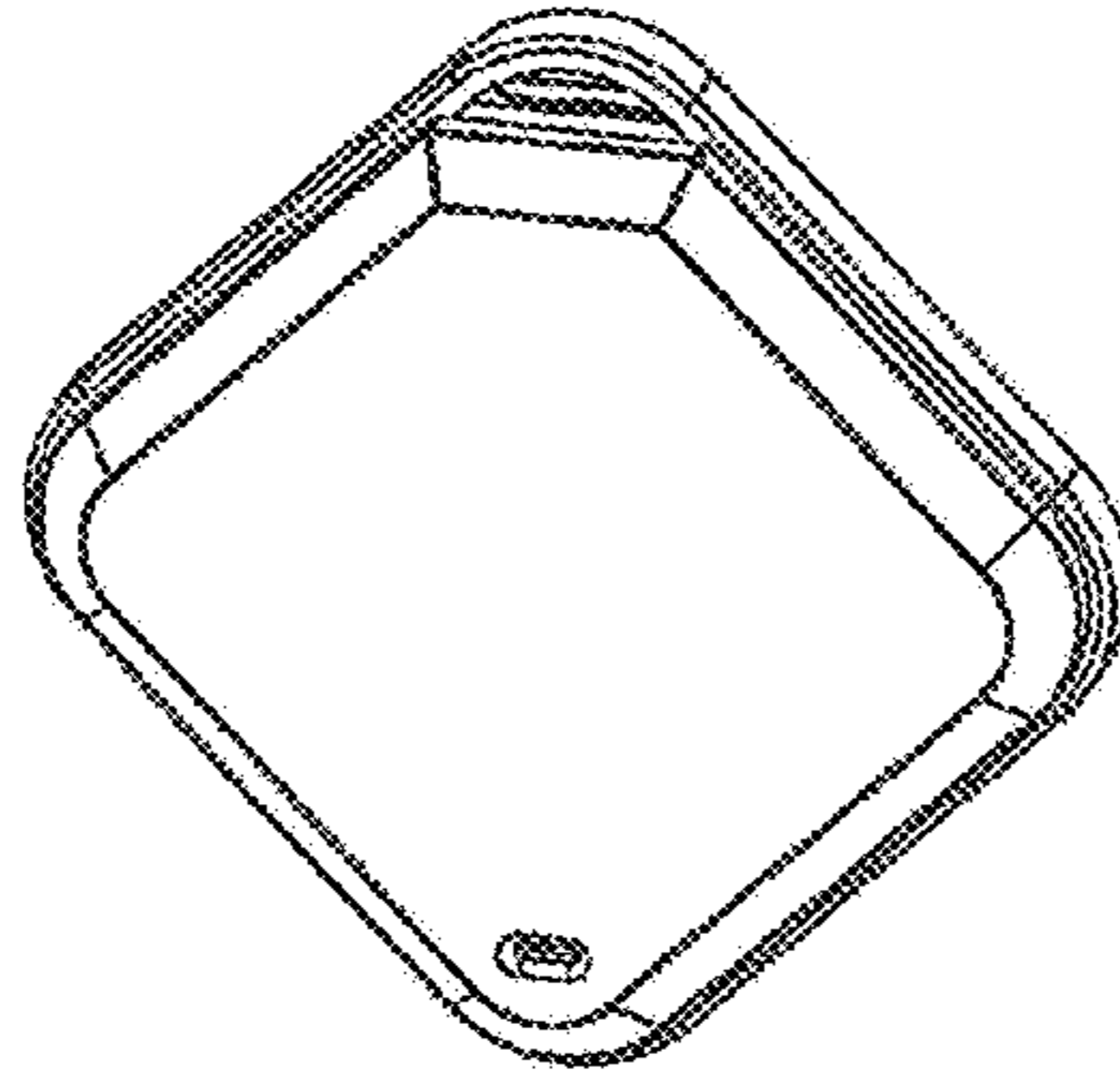


FIG. 8

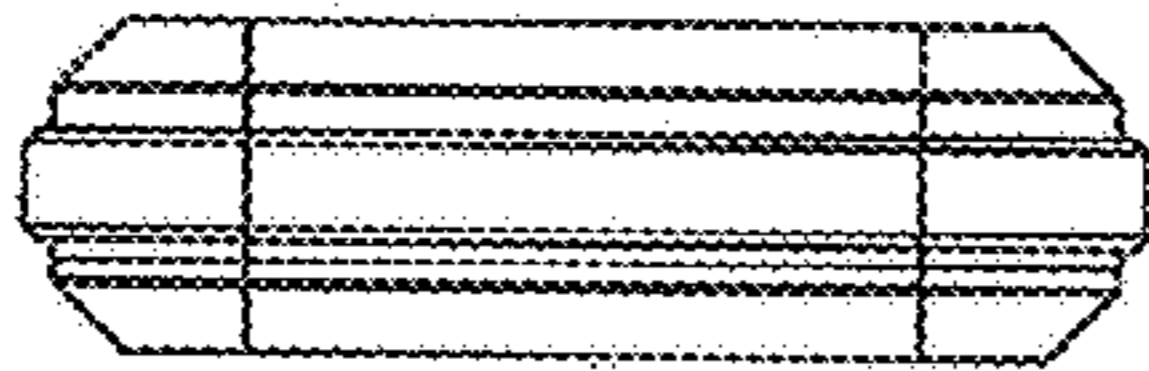


FIG. 9

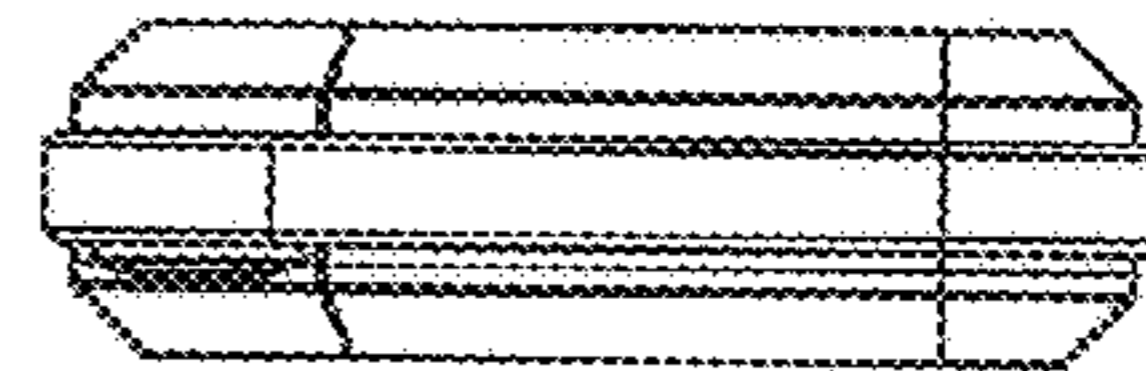


FIG. 10

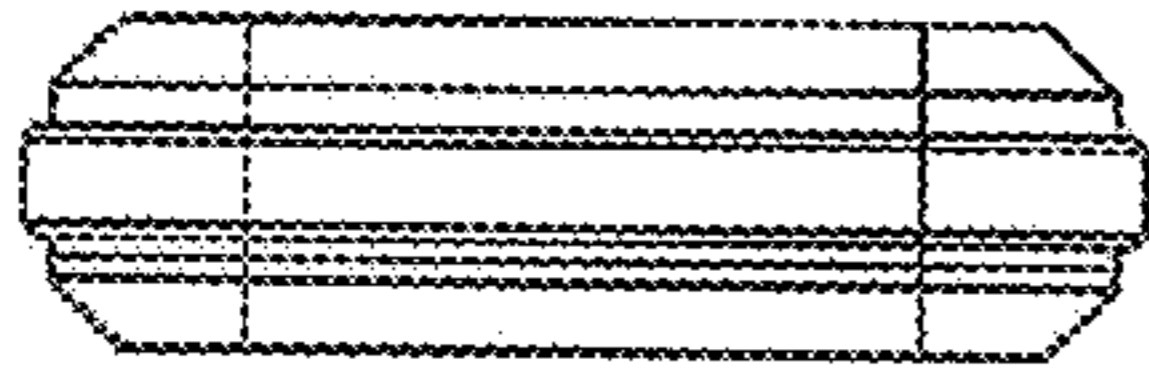


FIG. 11

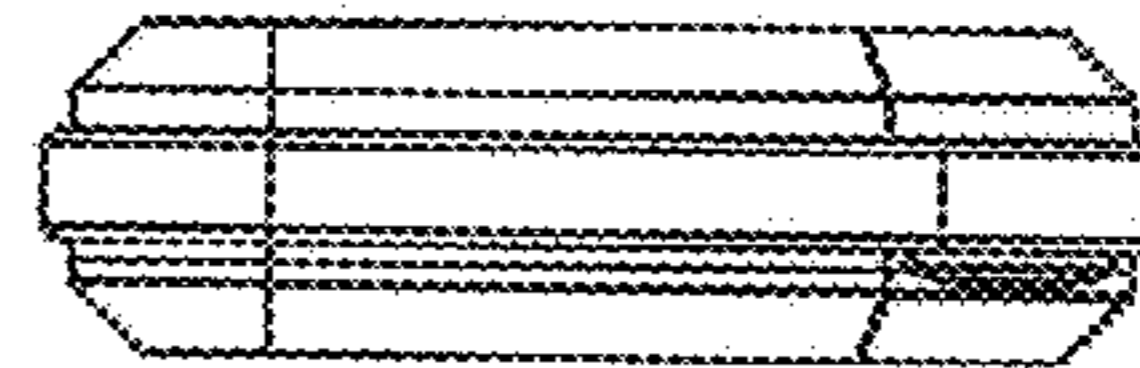


FIG. 12

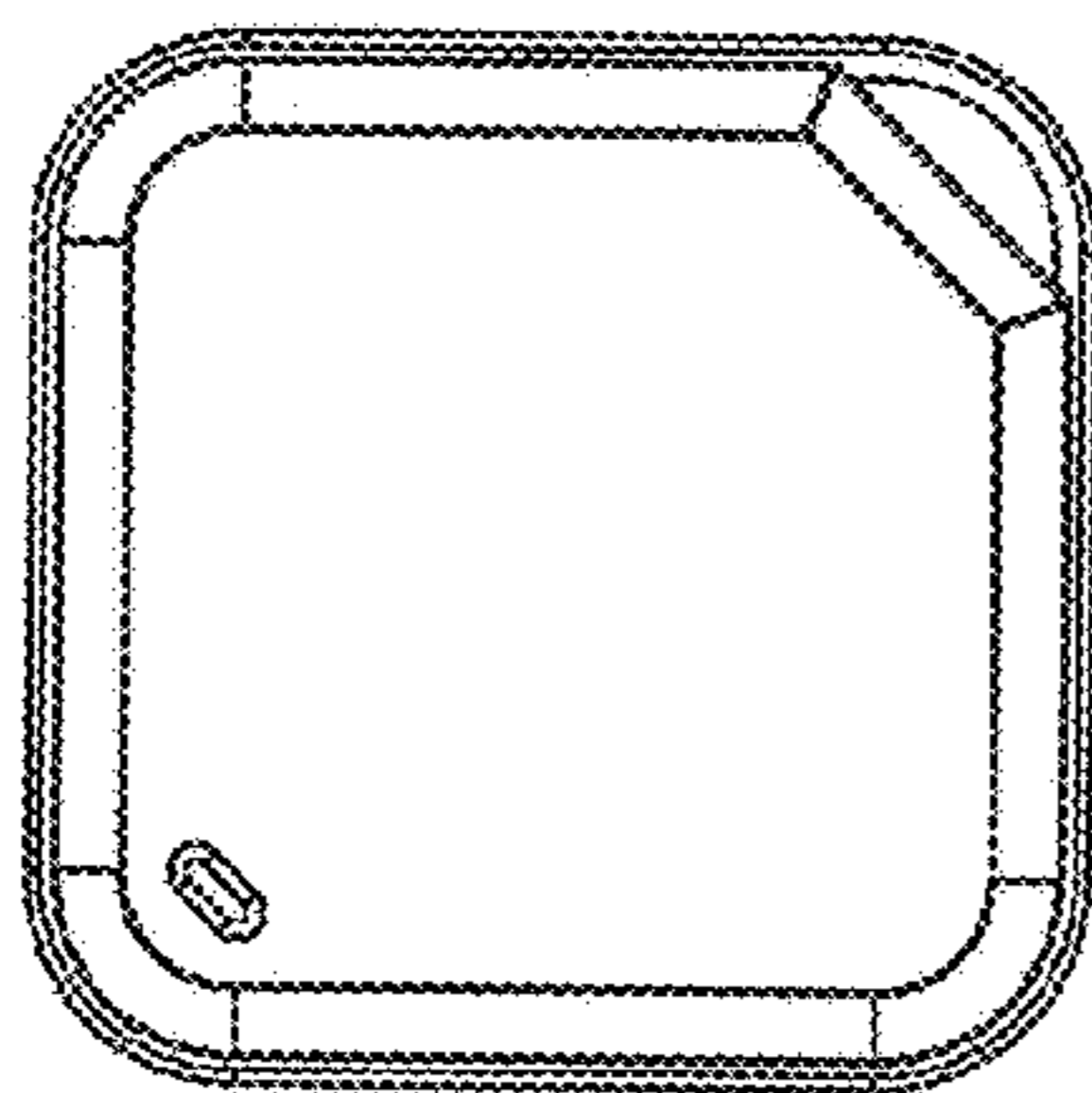


FIG. 13

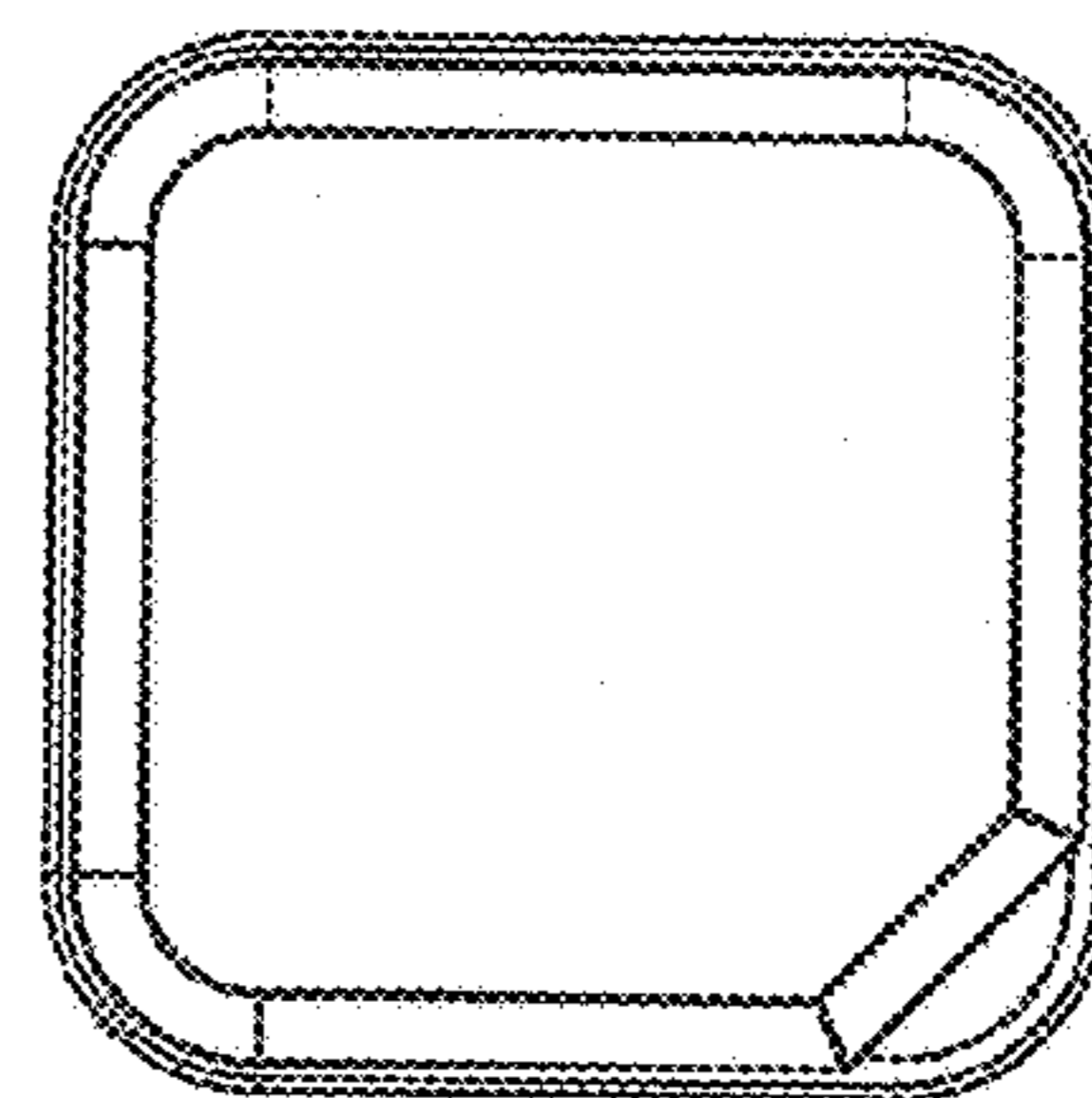


FIG. 14