



US00D693702S

(12) **United States Design Patent**  
**Jones**

(10) **Patent No.:** **US D693,702 S**

(45) **Date of Patent:** **\*\* Nov. 19, 2013**

(54) **SNOW, ICE AND/OR MOISTURE SENSOR**

(56) **References Cited**

(71) Applicant: **MSX, Incorporated**, South Bend, IN (US)

U.S. PATENT DOCUMENTS

(72) Inventor: **Thaddeus M. Jones**, Bremen, IN (US)

D625,622 S \* 10/2010 Mallela et al. .... D10/56

D675,544 S \* 2/2013 Brooking et al. .... D10/56

D675,945 S \* 2/2013 Brooking et al. .... D10/56

(73) Assignee: **MSX, Incorporated**, South Bend, IN (US)

\* cited by examiner

(\*\*) Term: **14 Years**

*Primary Examiner* — Antoine D Davis

(74) *Attorney, Agent, or Firm* — Taylor IP, P.C.

(21) Appl. No.: **29/444,815**

(57) **CLAIM**

The ornamental design for a snow, ice and/or moisture sensor, as shown and described.

(22) Filed: **Feb. 4, 2013**

(51) **LOC (9) Cl.** ..... **10-04**

**DESCRIPTION**

(52) **U.S. Cl.**

USPC ..... **D10/56; D10/53**

(58) **Field of Classification Search**

USPC ..... D10/52, 53, 56; 73/23.2, 23.4, 29.01,

73/31.01, 31.05, 73-75, 170.16, 170.17,

73/170.21, 170.26, 335.04; 200/61.04;

324/664, 658, 694; 338/35; 340/500,

340/501, 506, 517, 521, 539.11, 539.26,

340/539.27, 539.28, 545.2, 546, 577, 580,

340/584, 586, 601-605; 702/150

See application file for complete search history.

FIG. 1 is a top perspective view of a sensor showing my new design;

FIG. 2 is a bottom perspective view thereof;

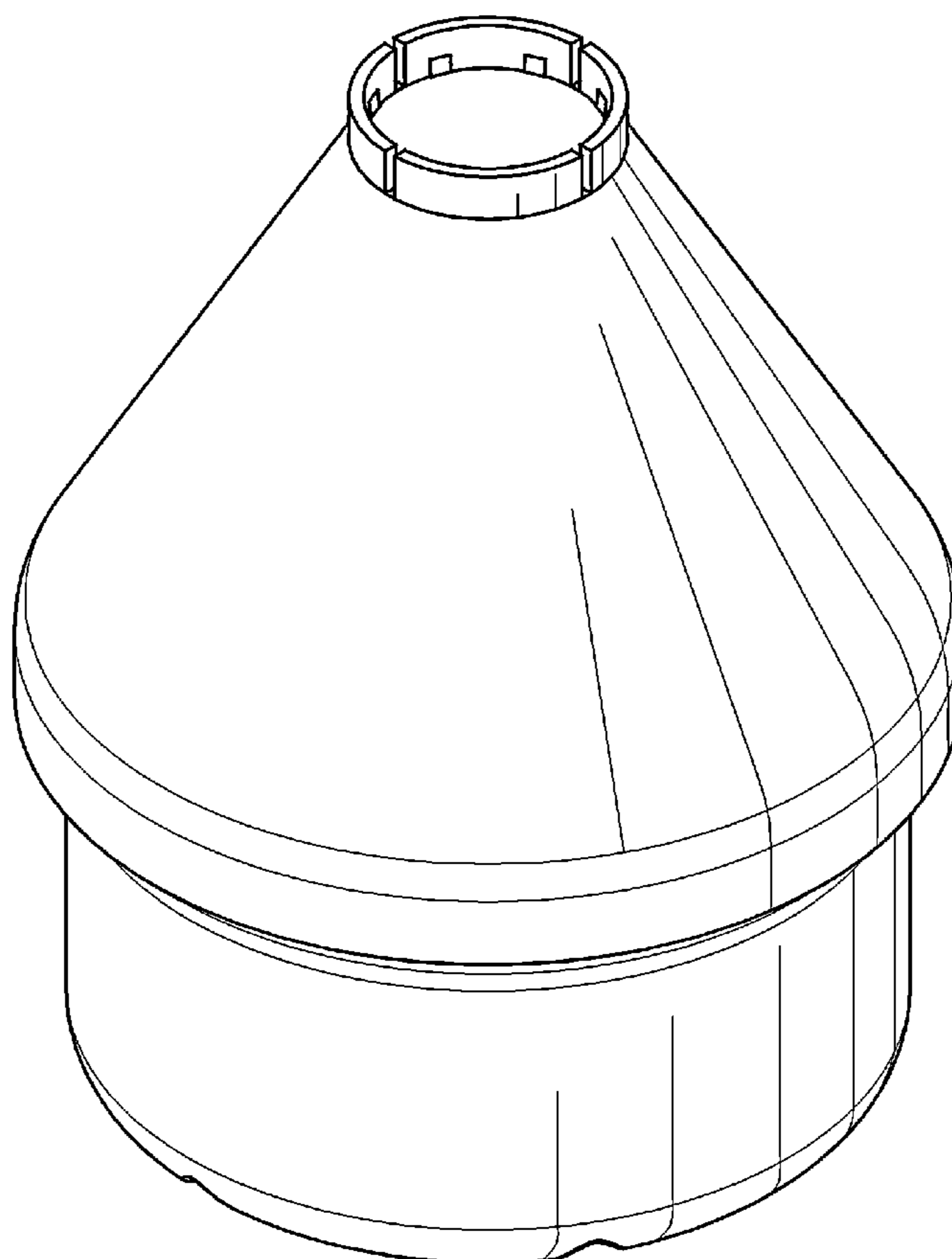
FIG. 3 is a side view thereof, the opposite side view being substantially identical;

FIG. 4 is another side view thereof;

FIG. 5 is a top view thereof; and,

FIG. 6 is a bottom view thereof.

**1 Claim, 6 Drawing Sheets**



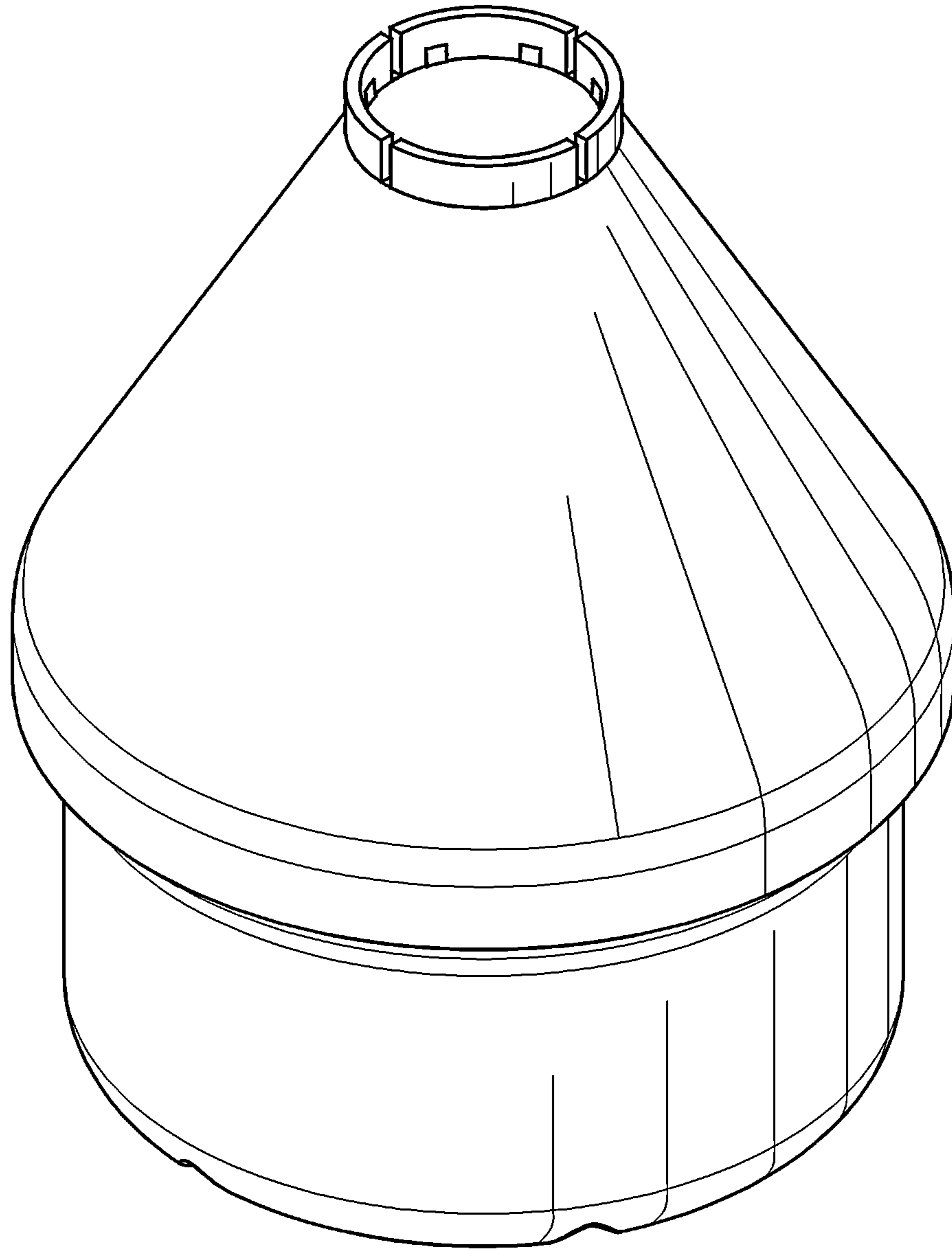


Fig. 1

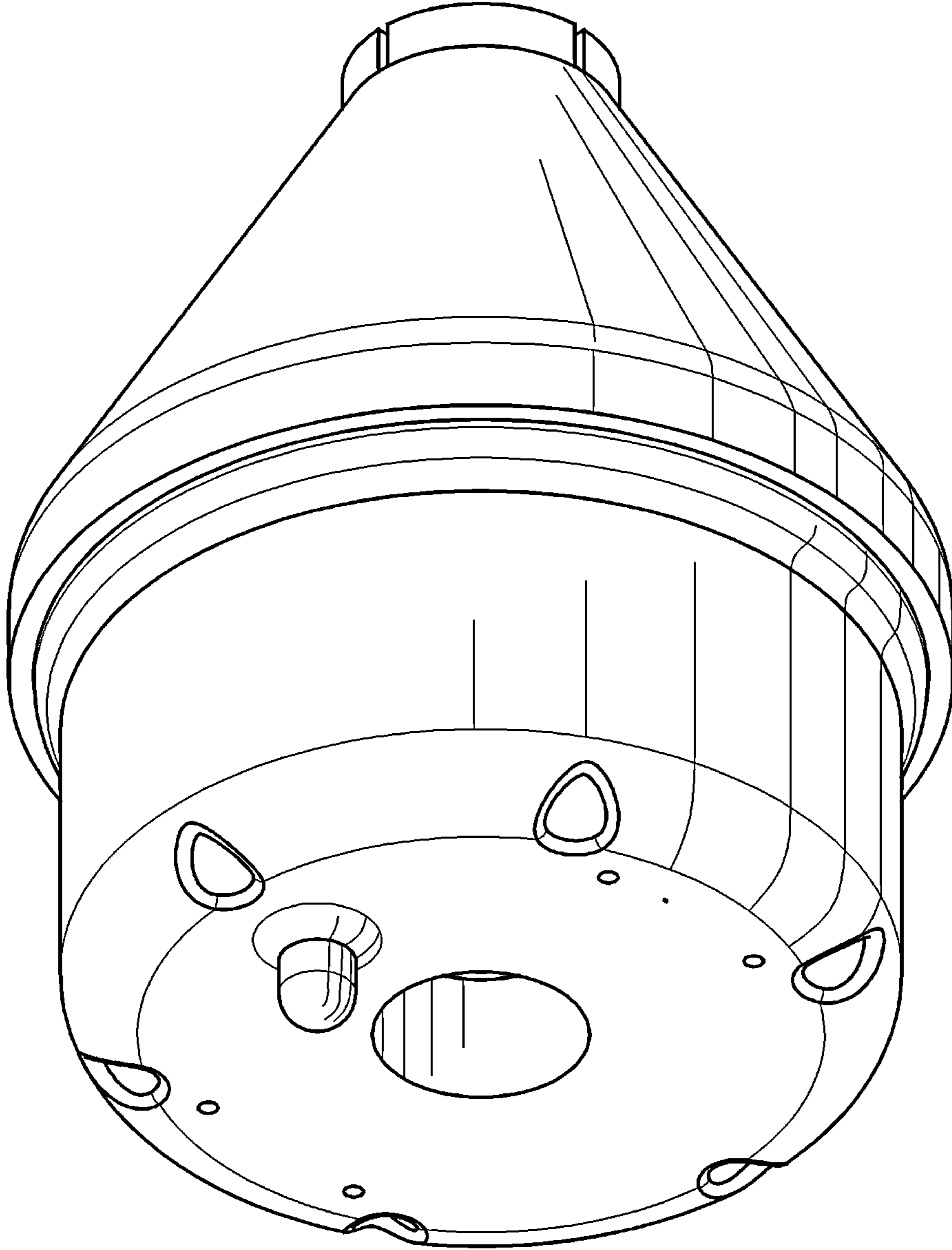


Fig. 2

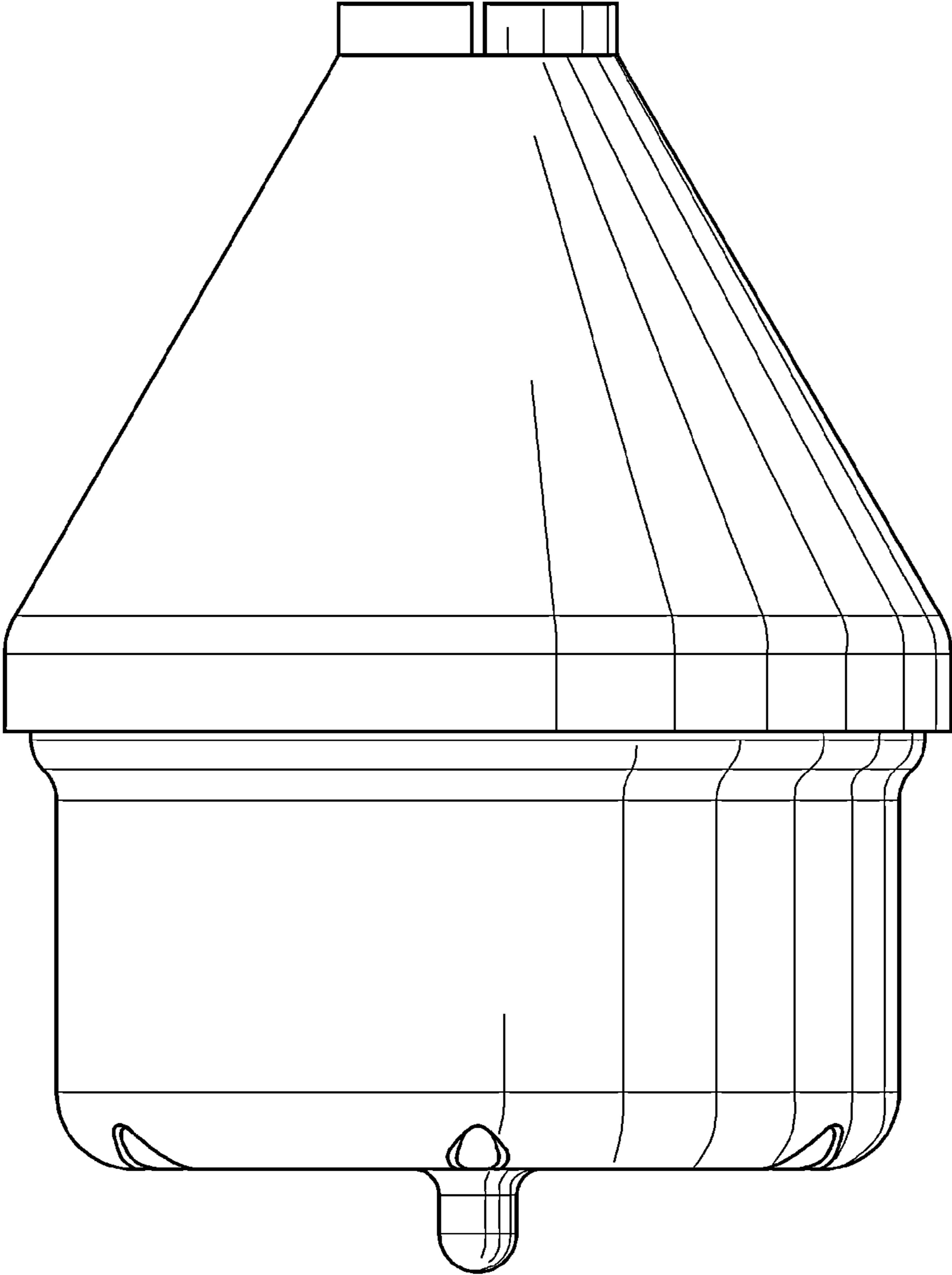


Fig. 3

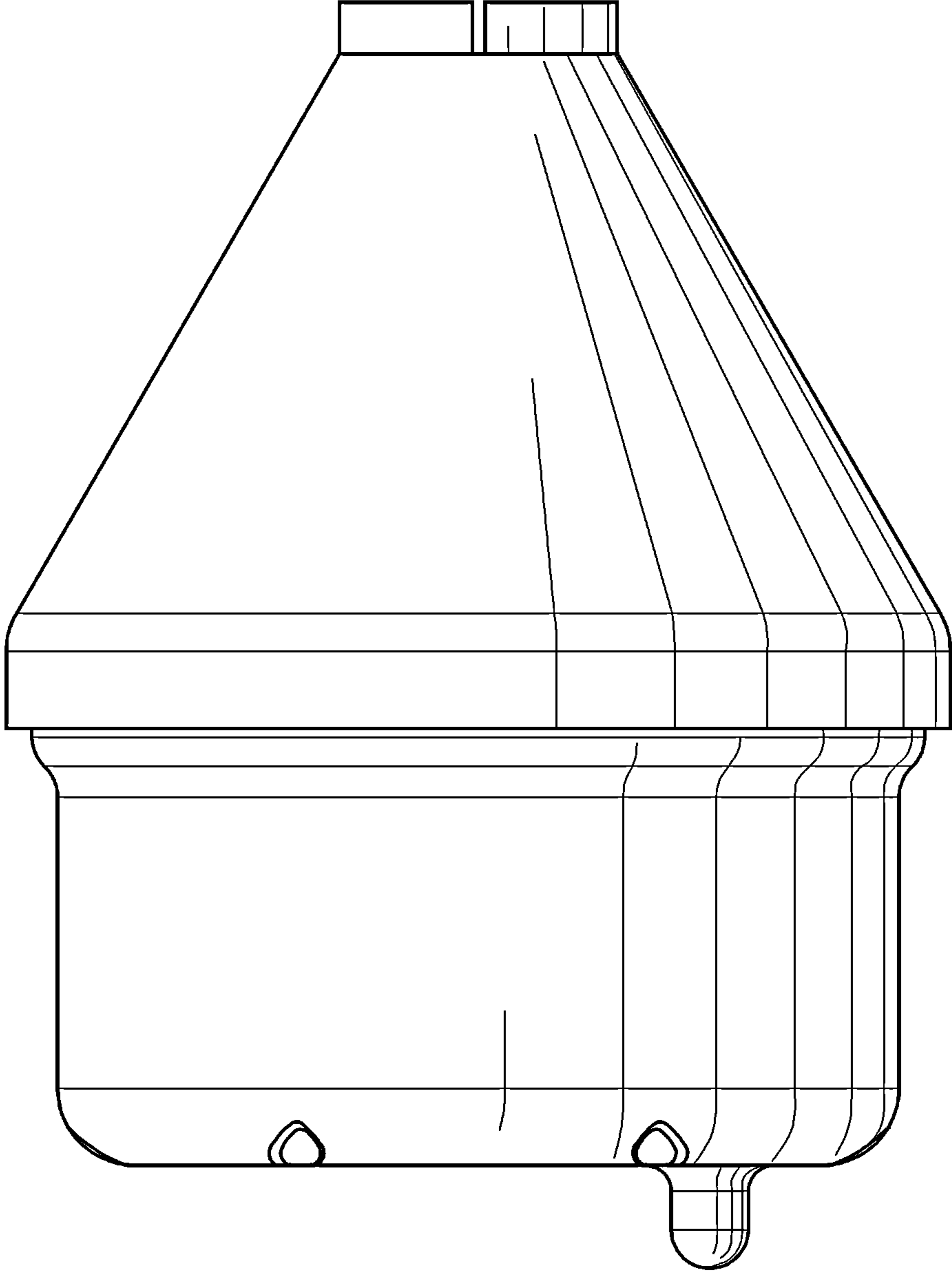


Fig. 4

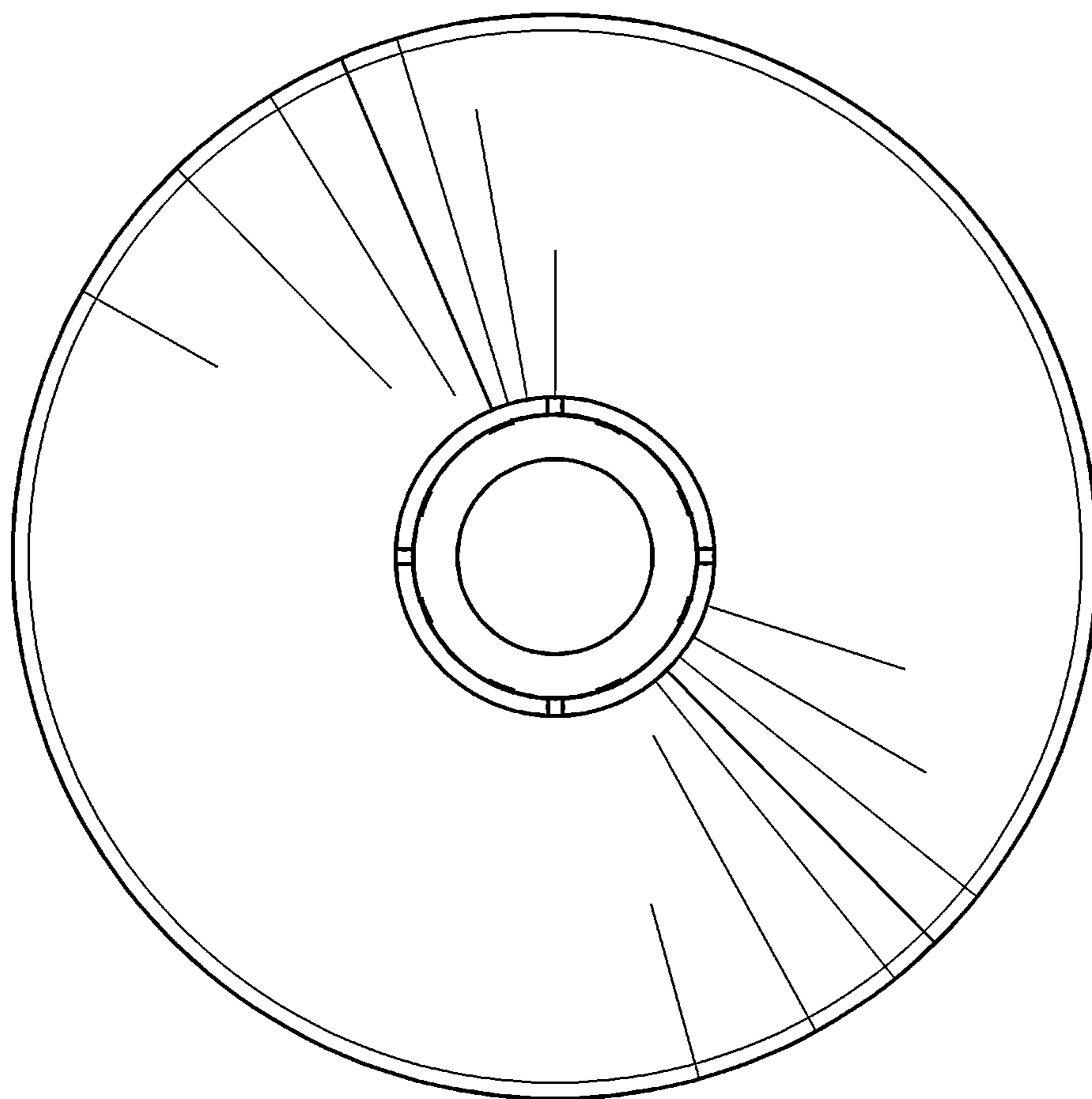


Fig. 5

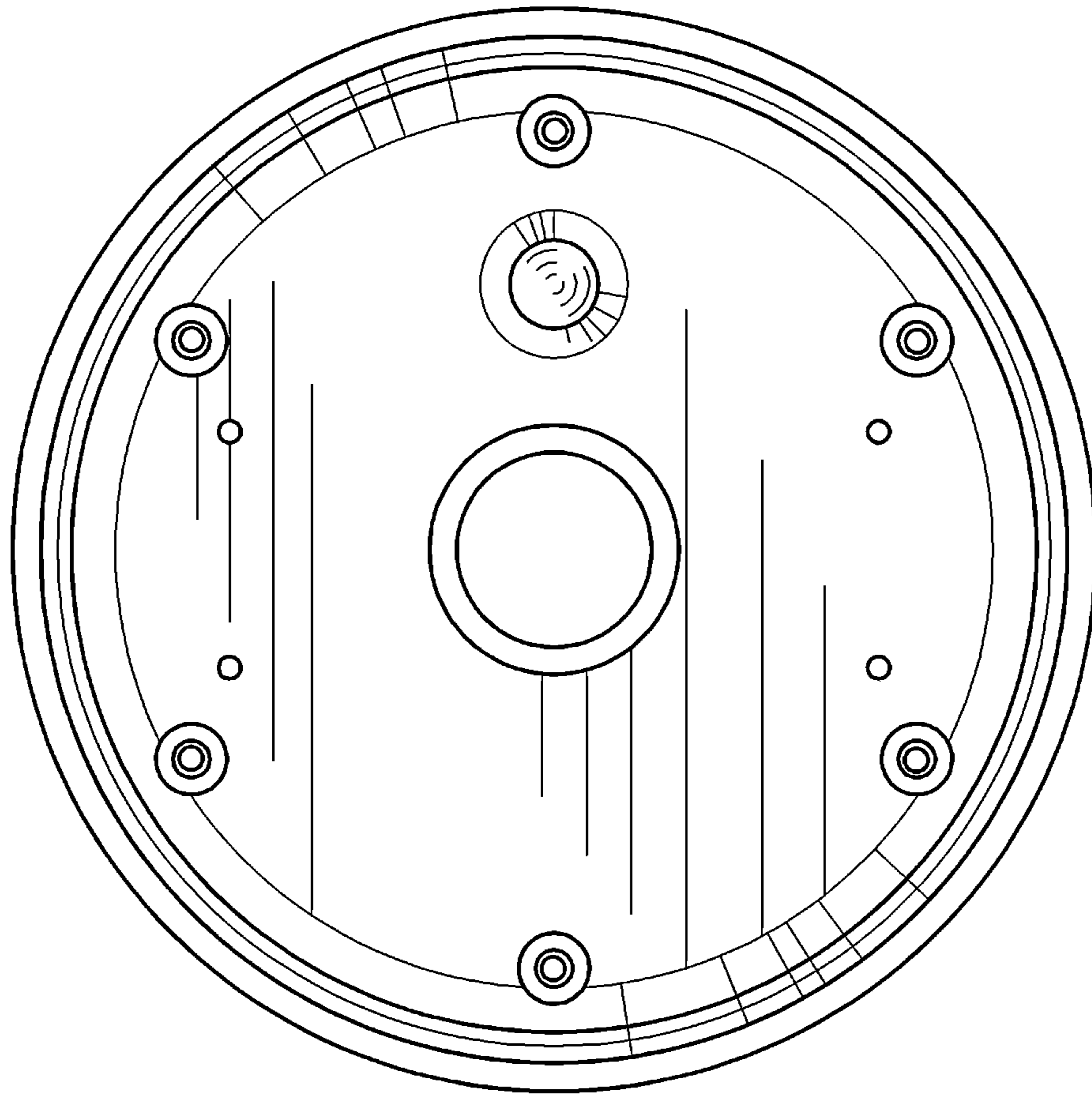


Fig. 6