

US00D693700S

(12) **United States Design Patent**
Goyet

(10) **Patent No.:** **US D693,700 S**

(45) **Date of Patent:** **** Nov. 19, 2013**

(54) **WATCH**

(71) Applicant: **Swatch AG (Swatch SA) (Swatch Ltd.)**,
Biel/Bienne (CH)

(72) Inventor: **Damien Goyet**, Grenchen (CH)

(73) Assignee: **Swatch AG (Swatch SA) (Swatch Ltd.)**,
Biel/Bienne (CH)

(**) Term: **14 Years**

(21) Appl. No.: **29/452,767**

(22) Filed: **Apr. 22, 2013**

(30) **Foreign Application Priority Data**

Nov. 28, 2012 (WO) DM/079 655

(51) **LOC (9) Cl.** **10-02**

(52) **U.S. Cl.**
USPC **D10/38**

(58) **Field of Classification Search**

USPC D10/30-39, 122-132; 368/276, 281,
368/282, 294, 295

See application file for complete search history.

(56) **References Cited**

U.S. PATENT DOCUMENTS

| | | | | | |
|-----------|------|--------|----------------|-------|---------|
| 5,297,121 | A * | 3/1994 | Sepehri | | 368/228 |
| 5,321,670 | A * | 6/1994 | Rebeaud et al. | | 368/291 |
| D413,816 | S * | 9/1999 | Schiavo et al. | | D10/30 |
| 6,356,512 | B1 * | 3/2002 | Martin et al. | | 368/10 |
| D476,905 | S * | 7/2003 | El Kadiri | | D10/30 |

| | | | | | |
|-----------|------|---------|------------------|-------|---------|
| D476,906 | S * | 7/2003 | Nussbaum | | D10/30 |
| D477,234 | S * | 7/2003 | El Kadiri | | D10/30 |
| D477,235 | S * | 7/2003 | El Kadiri | | D10/30 |
| 6,605,791 | B2 * | 8/2003 | Grupp | | 200/512 |
| 6,672,758 | B2 * | 1/2004 | Ehram et al. | | 368/190 |
| 6,714,485 | B2 * | 3/2004 | Albisetti et al. | | 368/27 |
| D502,409 | S * | 3/2005 | Figueiredo | | D10/30 |
| D537,740 | S * | 3/2007 | Grosjean | | D10/38 |
| D559,125 | S * | 1/2008 | Figueiredo | | D10/38 |
| D561,049 | S * | 2/2008 | Figueiredo | | D10/38 |
| 7,434,984 | B2 * | 10/2008 | Hiranuma et al. | | 368/295 |
| D601,043 | S * | 9/2009 | Belamich | | D10/39 |
| D605,533 | S * | 12/2009 | Schoepfer | | D10/38 |
| D613,186 | S * | 4/2010 | Behling | | D10/38 |
| D621,284 | S * | 8/2010 | Cerrato | | D10/38 |
| D634,653 | S * | 3/2011 | Laucella | | D10/39 |

* cited by examiner

Primary Examiner — Lucy Lieberman

(74) *Attorney, Agent, or Firm* — Donald J. Ranft; Collen IP

(57) **CLAIM**

The ornamental design for a watch, as shown.

DESCRIPTION

FIG. 1 is a front perspective view of a watch showing my new design;

FIG. 2 is a rear perspective view thereof;

FIG. 3 is a front view thereof;

FIG. 4 is a rear view thereof;

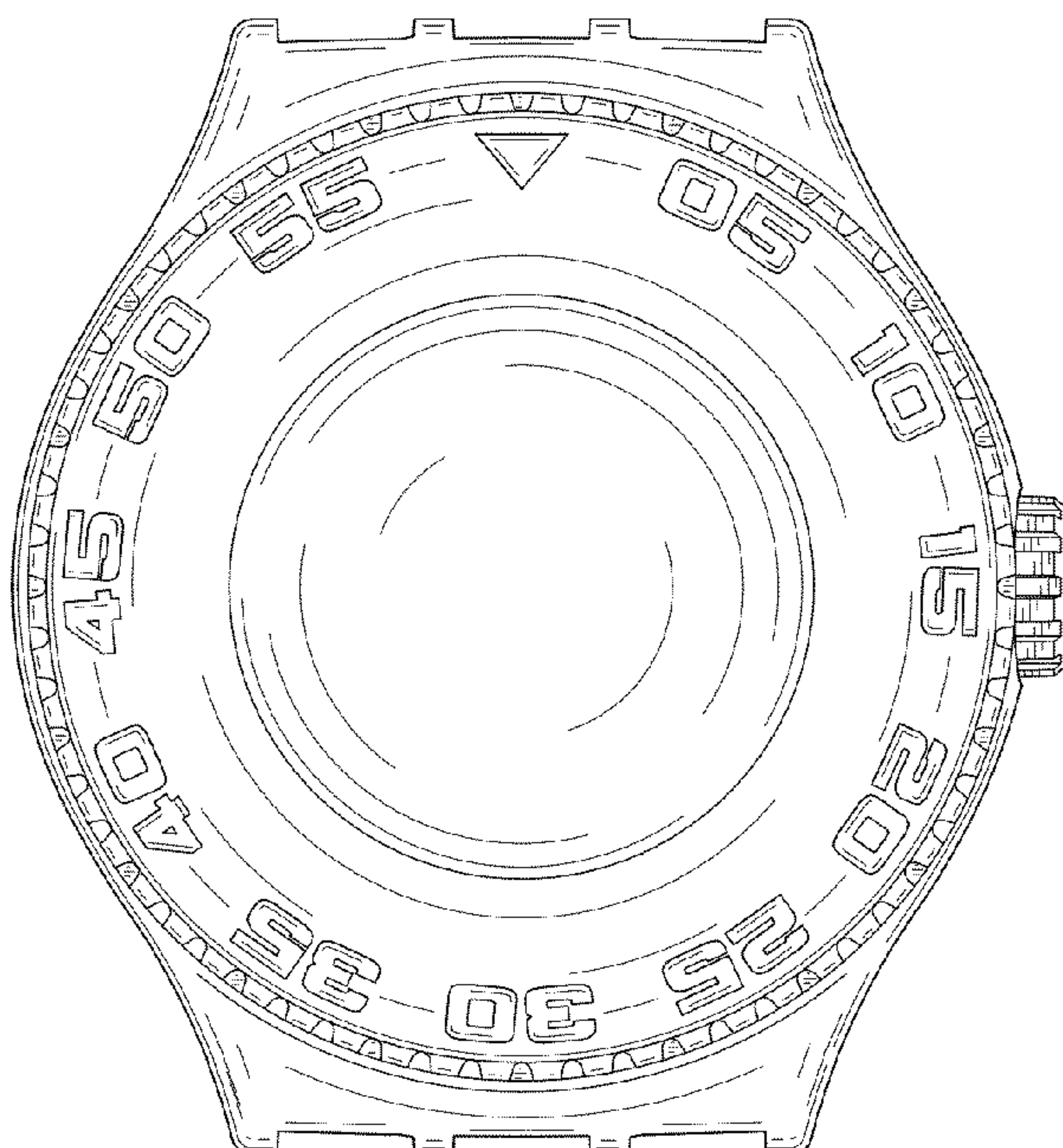
FIG. 5 is a top view thereof;

FIG. 6 is a bottom view thereof;

FIG. 7 is a right side view thereof; and,

FIG. 8 is a left side view thereof.

1 Claim, 3 Drawing Sheets



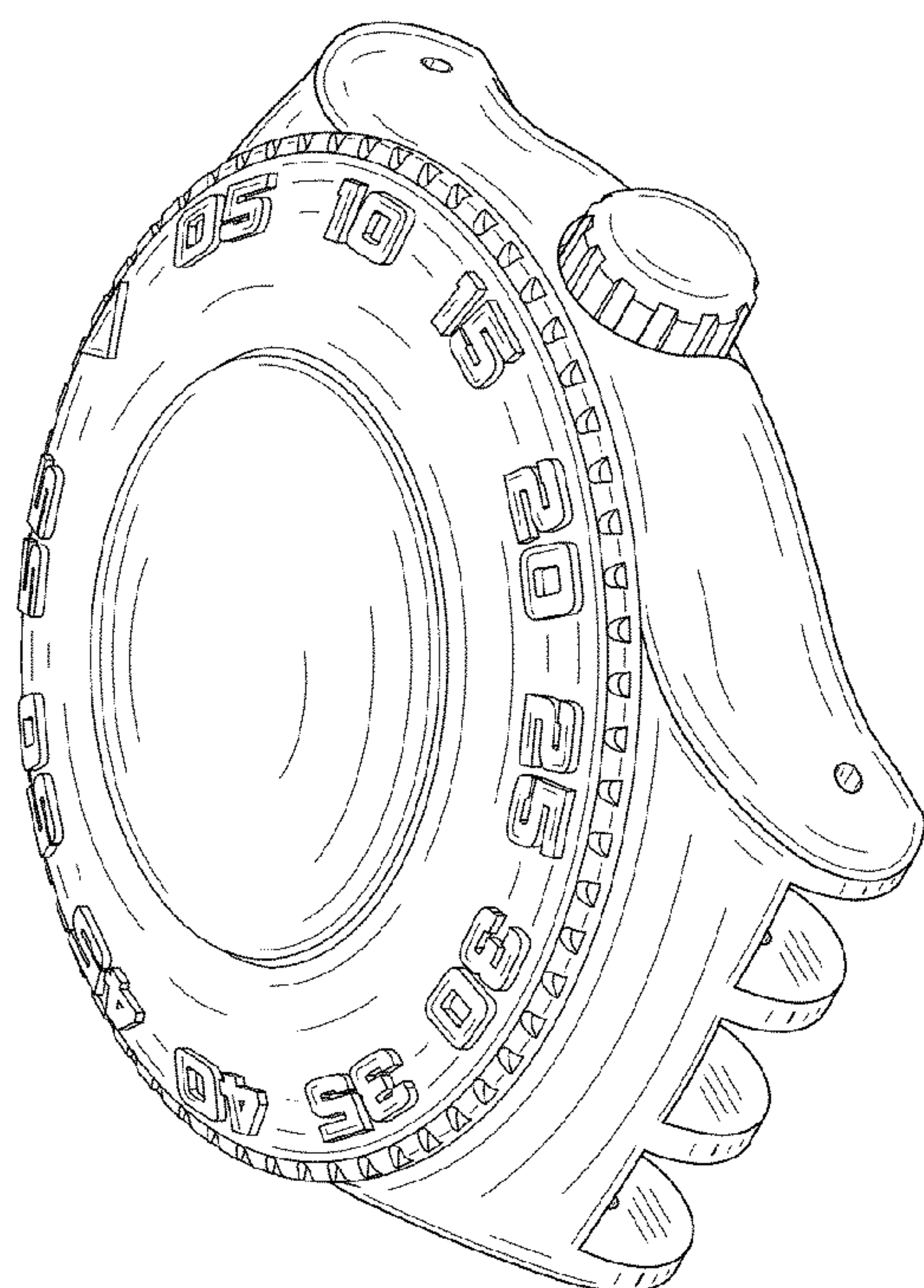


FIG. 1

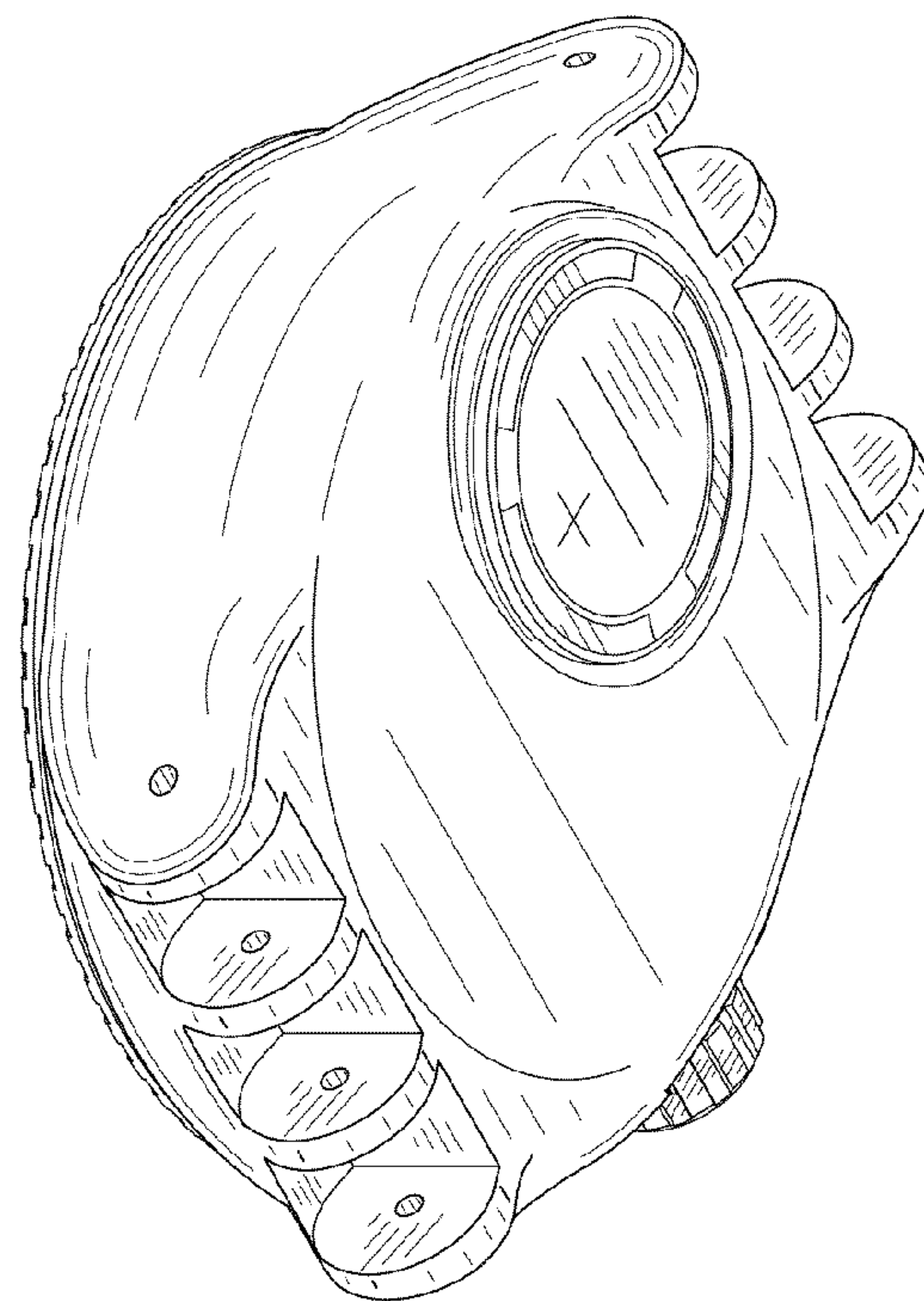


FIG. 2

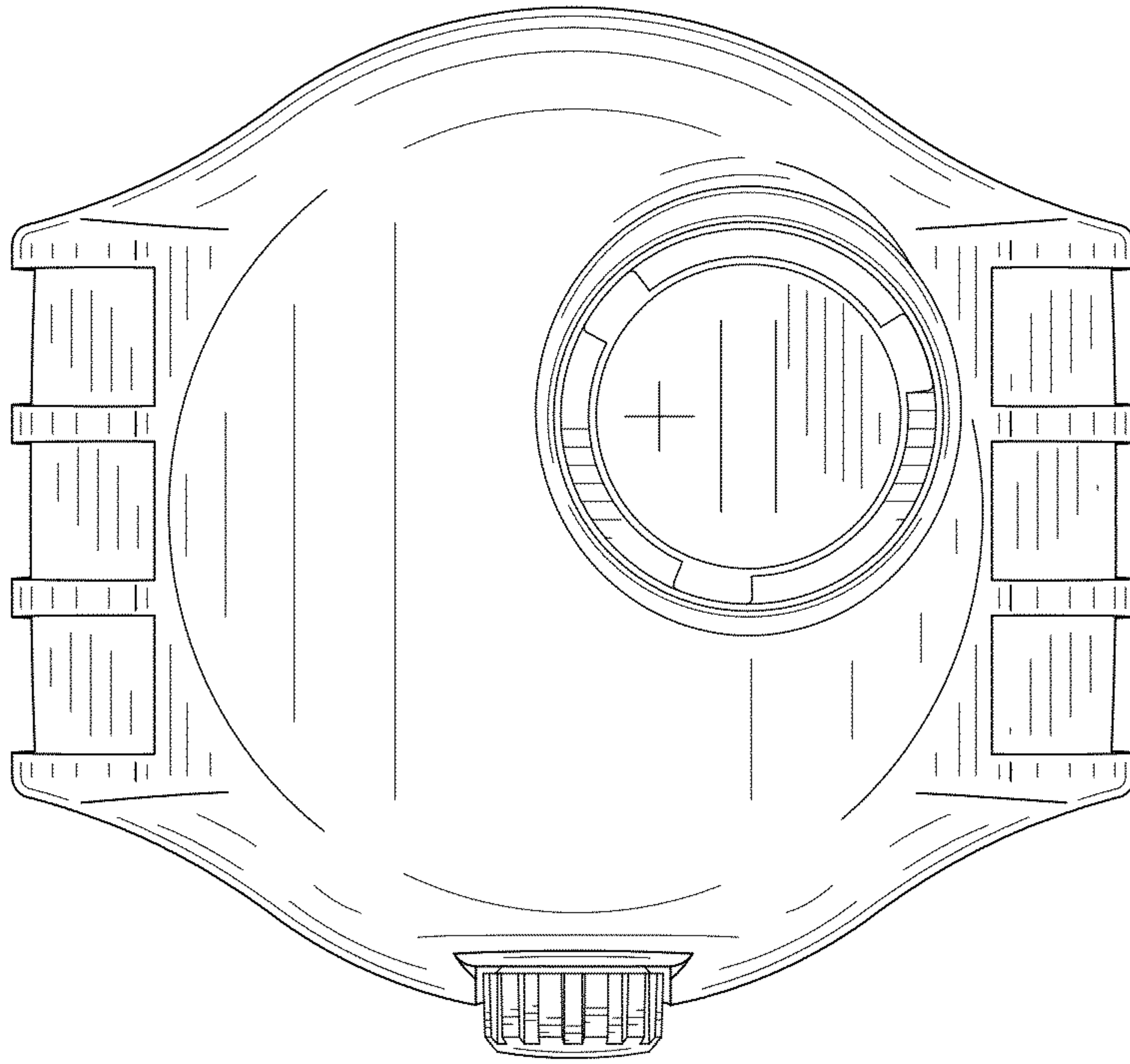


FIG. 4

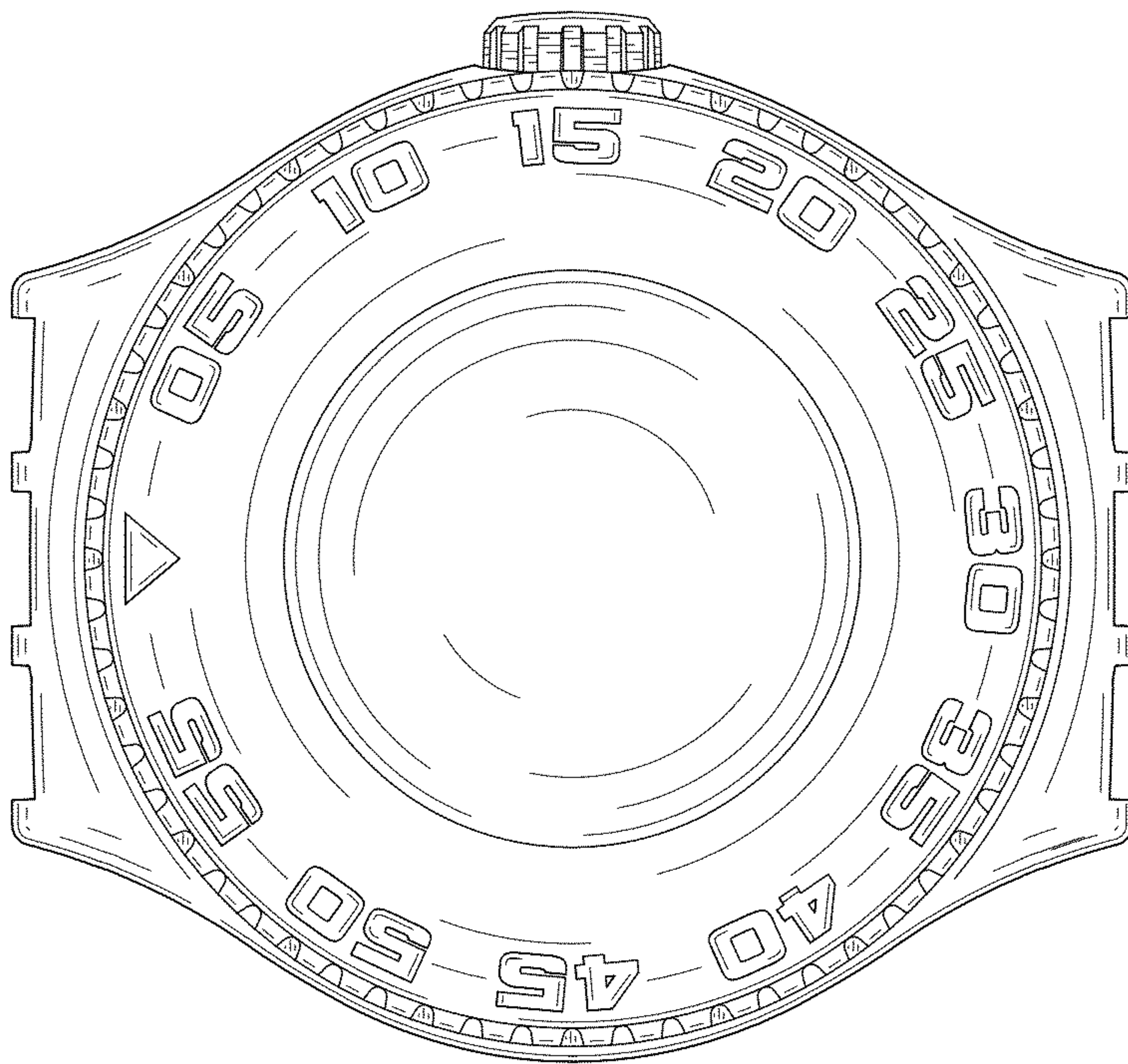


FIG. 3

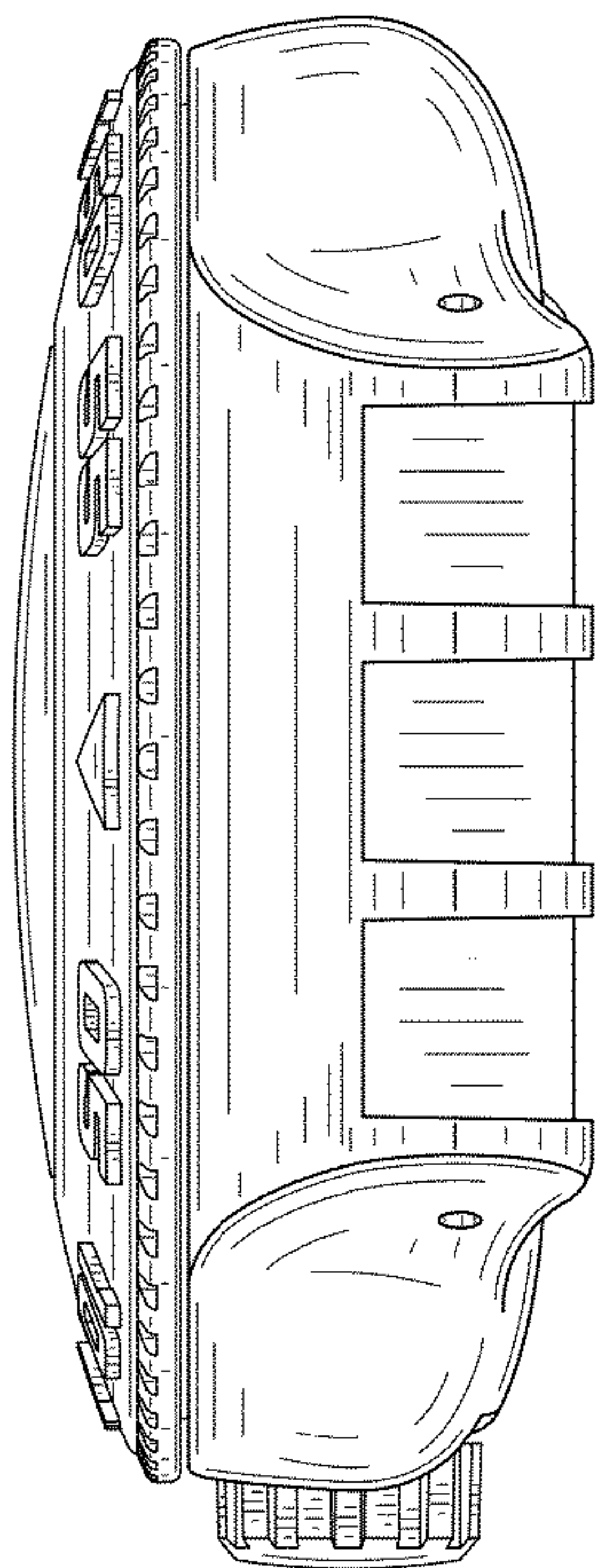


FIG. 5

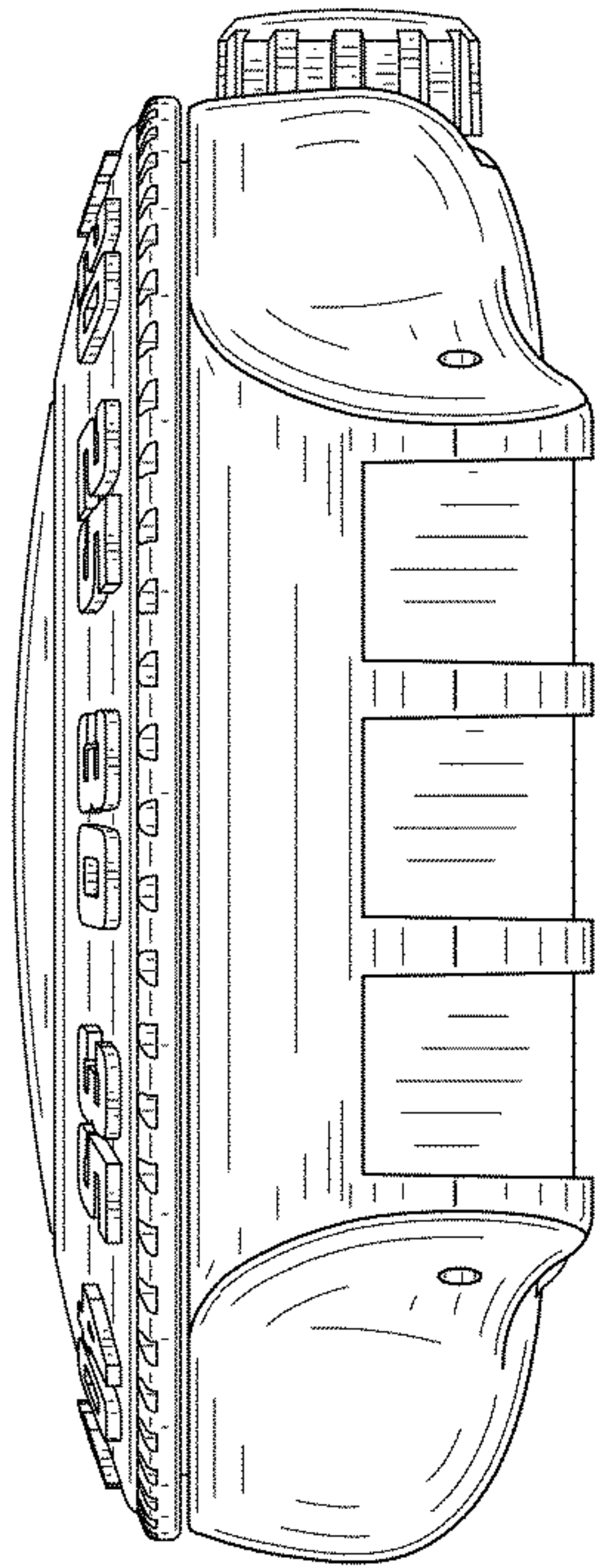


FIG. 6

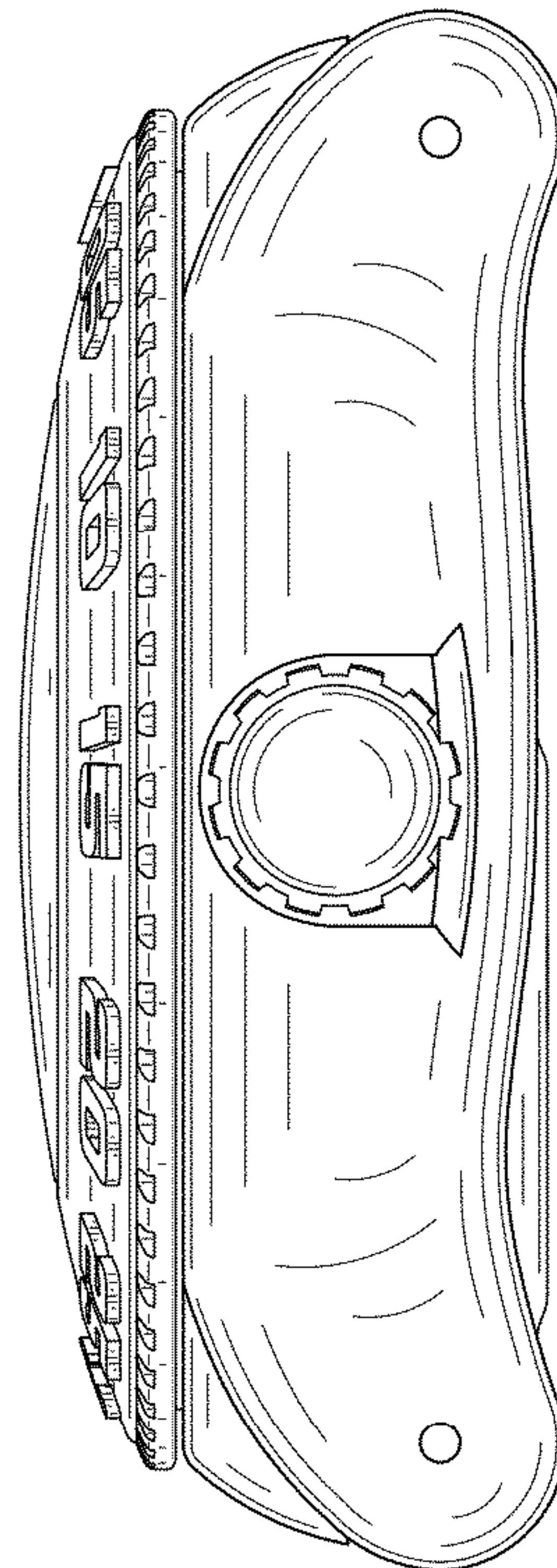


FIG. 7

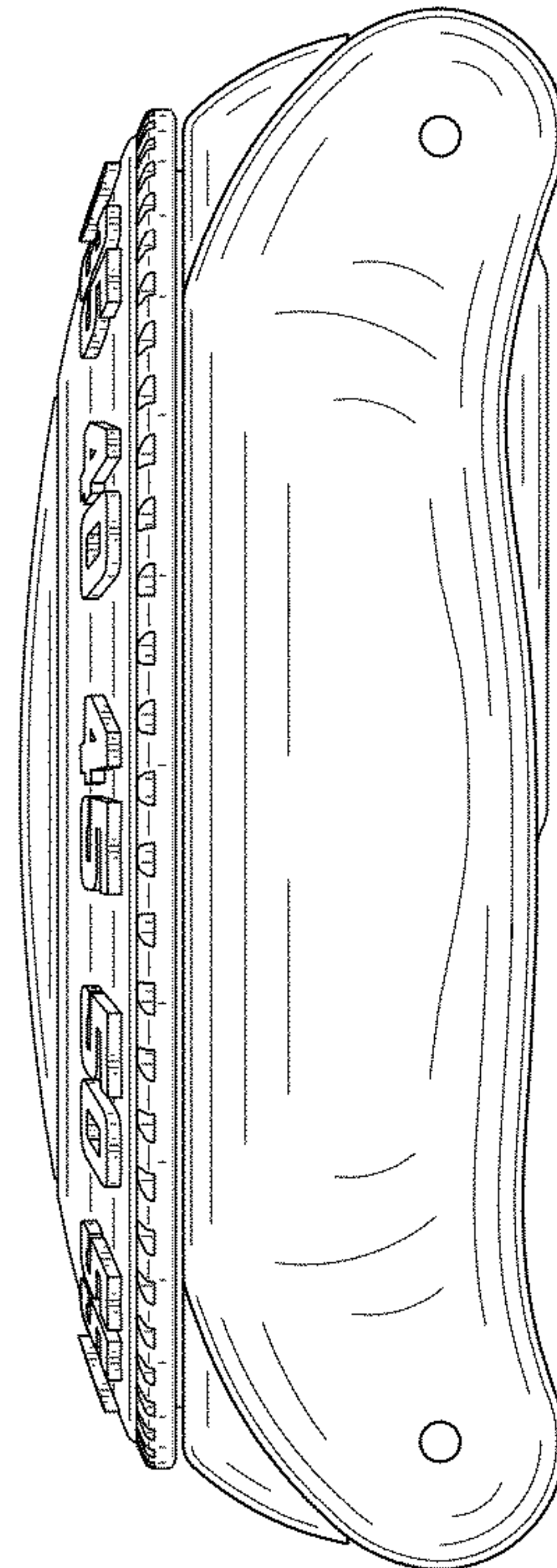


FIG. 8