

US00D693698S

(12) **United States Design Patent**
Miller, Jr.

(10) **Patent No.:** **US D693,698 S**

(45) **Date of Patent:** **** Nov. 19, 2013**

(54) **BEVERAGE CAN WITH A PORTION OF A MURAL**

(76) Inventor: **Derrick T. Miller, Jr.**, Houston, TX (US)

(**) Term: **14 Years**

(21) Appl. No.: **29/430,769**

(22) Filed: **Aug. 29, 2012**

(51) **LOC (9) Cl.** **09-01**

(52) **U.S. Cl.**
USPC **D9/772**

(58) **Field of Classification Search**
USPC D9/434, 435, 438, 516, 549, 559, 560,
D9/572, 738, 745, 763-783; 215/381-385;
220/660, 669, 675

See application file for complete search history.

(56) **References Cited**

U.S. PATENT DOCUMENTS

2,167,305	A	9/1938	Kropp	
D864,732		6/1971	Greenberg	
D193,625	S	10/1971	Gottschalk	
4,887,845	A	12/1989	Nagai	
5,024,014	A	6/1991	Swierczek	
5,076,613	A	12/1991	Kovacs	
5,106,305	A	4/1992	Grant	
D371,075	S *	6/1996	Stonehouse	D9/772
5,788,076	A	8/1998	Simmons	
5,992,892	A	11/1999	Schaefer et al.	
6,343,934	B1	2/2002	Johnson, Jr.	
6,472,034	B1	10/2002	Bourdelaïs et al.	
6,846,361	B2	1/2005	Ketterer	
D511,686	S *	11/2005	Yaeger	D9/518
D599,678	S	9/2009	Ziegler et al.	

D603,722	S *	11/2009	Reimer	D9/766
D604,181	S *	11/2009	Reimer	D9/766
D605,060	S *	12/2009	Reimer	D9/766
D617,969	S *	6/2010	Sung	D34/4
D632,588	S *	2/2011	George	D9/772
D641,644	S *	7/2011	George	D9/772
D671,843	S *	12/2012	Plosky et al.	D9/773
2008/0295558	A1 *	12/2008	Reimer et al.	72/94
2010/0025281	A1 *	2/2010	Baker et al.	206/509
2012/0205378	A1 *	8/2012	Forrest	220/269

* cited by examiner

Primary Examiner — Keli L Hill

(74) *Attorney, Agent, or Firm* — QuickPatents; Kevin Prince

(57) **CLAIM**

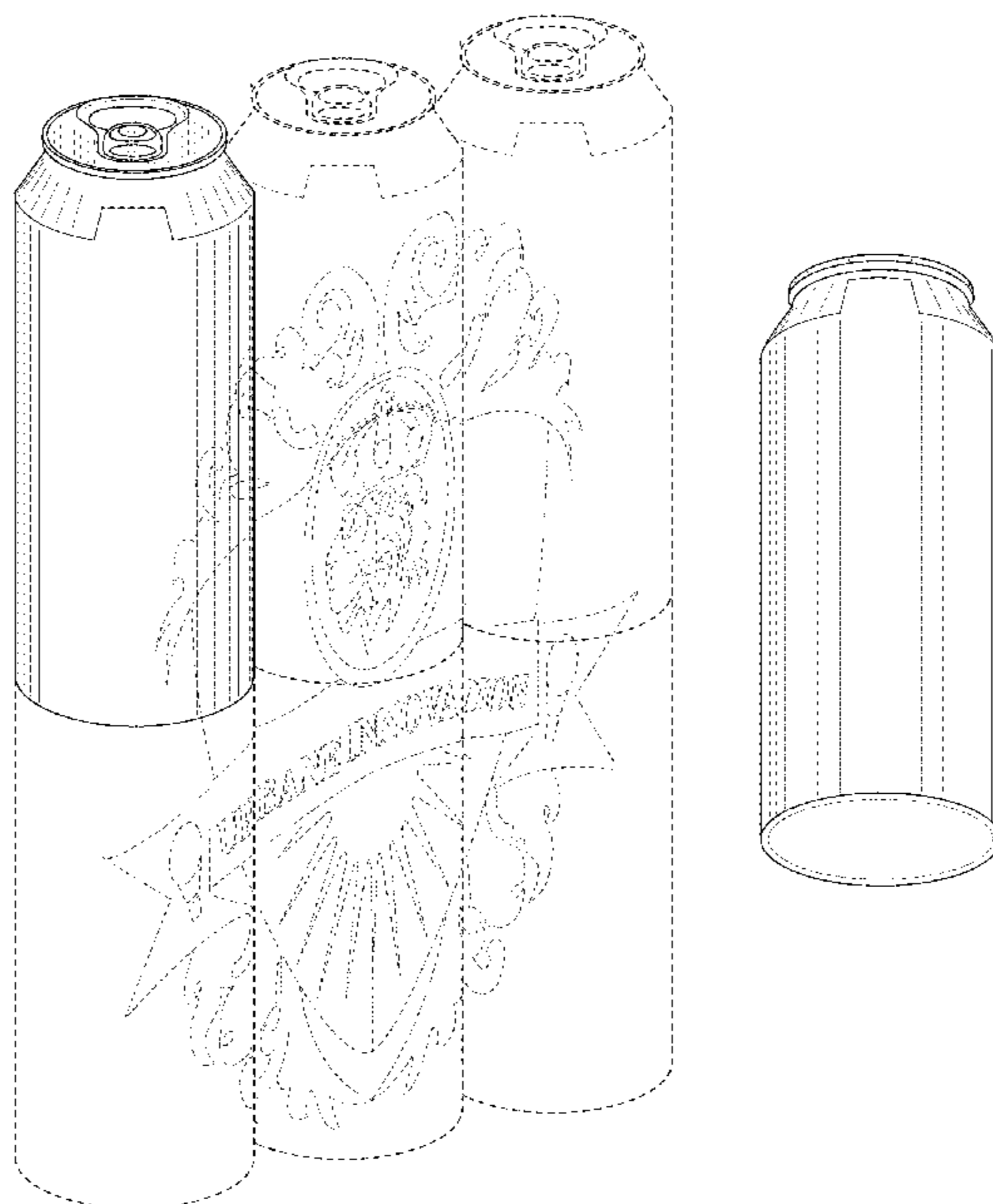
I claim the ornamental design for a beverage can with a portion of a mural, as shown and described.

DESCRIPTION

FIG. 1 is a perspective view of a beverage can with a portion of a mural, showing my new design;
 FIG. 2 is a front elevational view thereof;
 FIG. 3 is a rear elevational view thereof;
 FIG. 4 is a right-side elevational view thereof;
 FIG. 5 is a left-side elevational view thereof;
 FIG. 6 is a top plan view thereof;
 FIG. 7 is a bottom plan view thereof; and,
 FIG. 8 is a bottom perspective view thereof.

The broken lines showing a mural image and additional beverage cans in FIG. 1 and bottom elements in FIGS. 7 and 8 depicts environmental matter and forms no part of the claimed design.

1 Claim, 3 Drawing Sheets



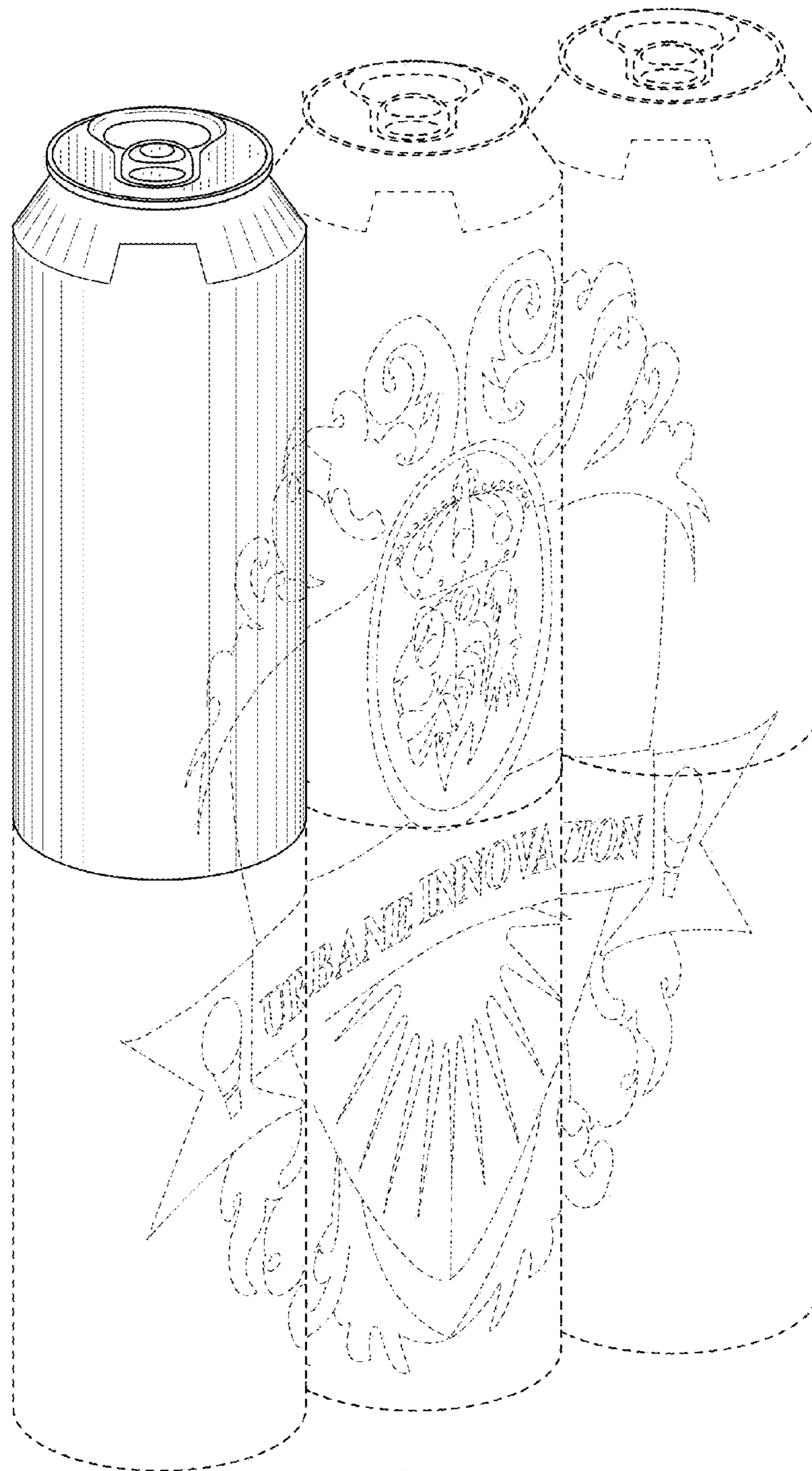


FIG. 1

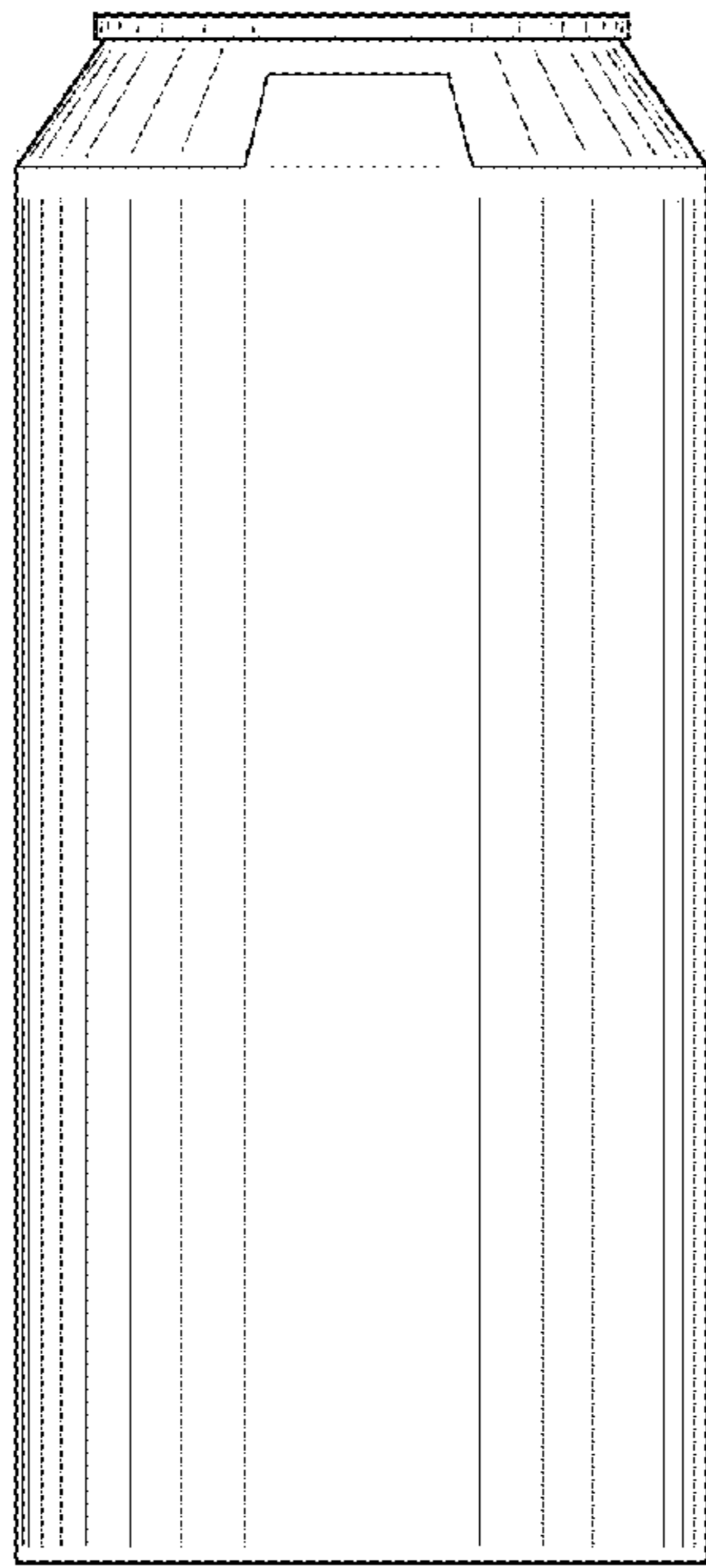


FIG. 2

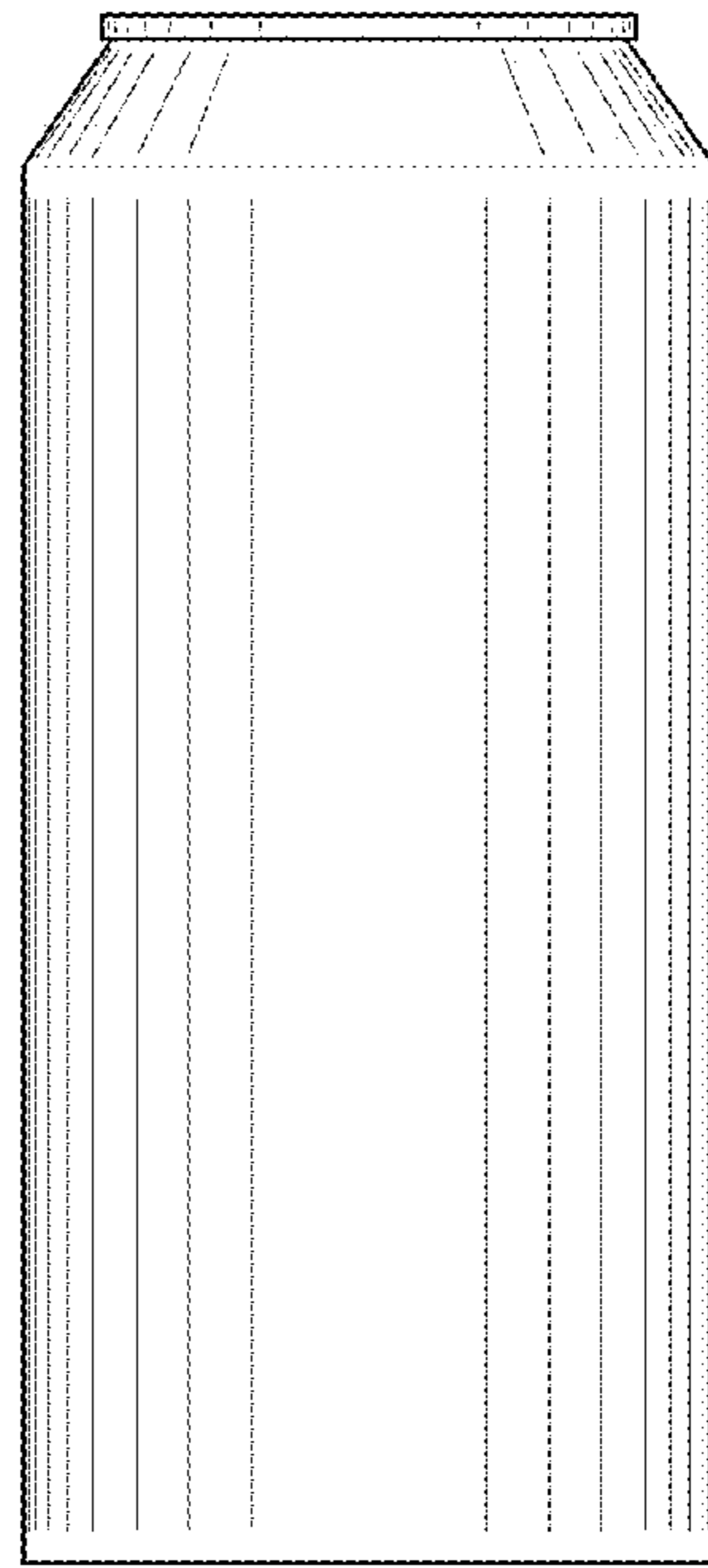


FIG. 3

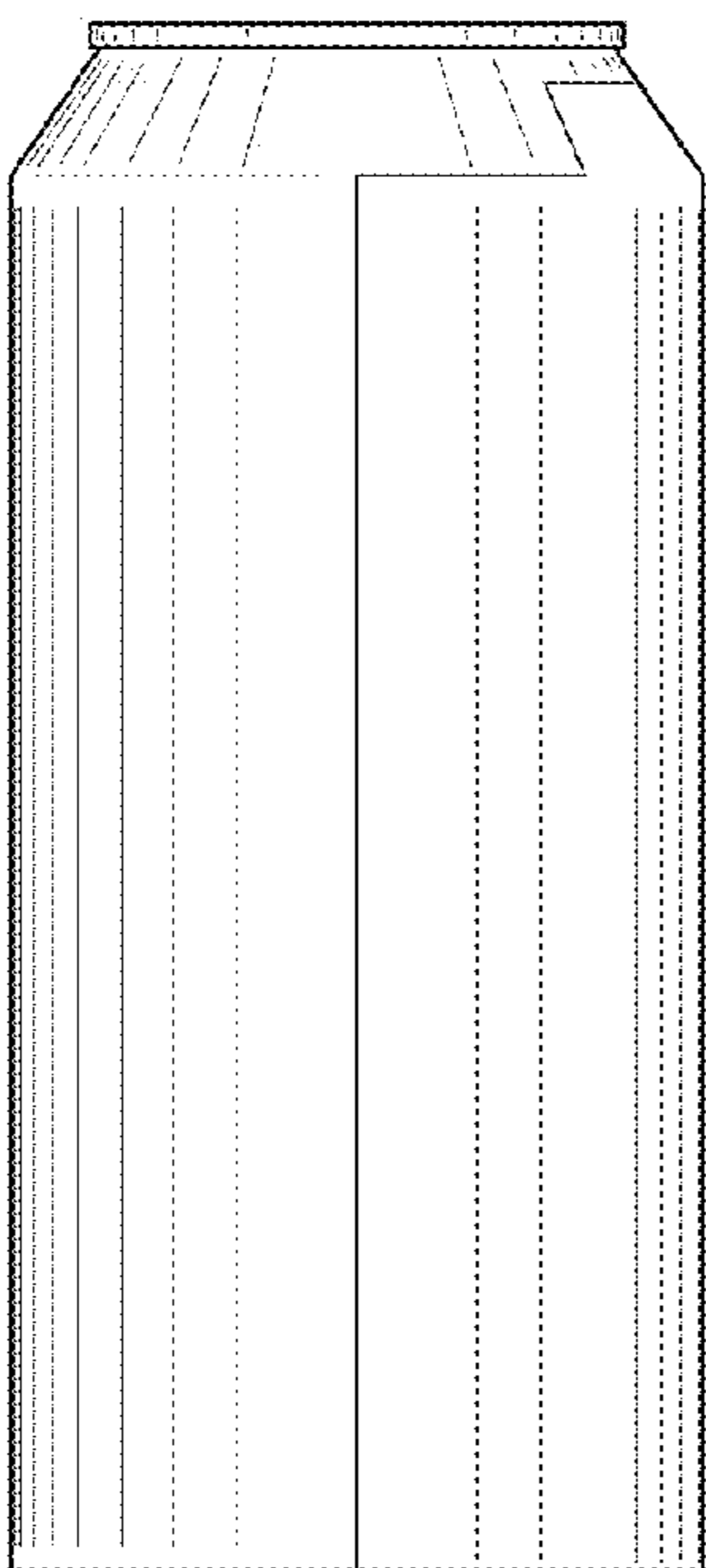


FIG. 4

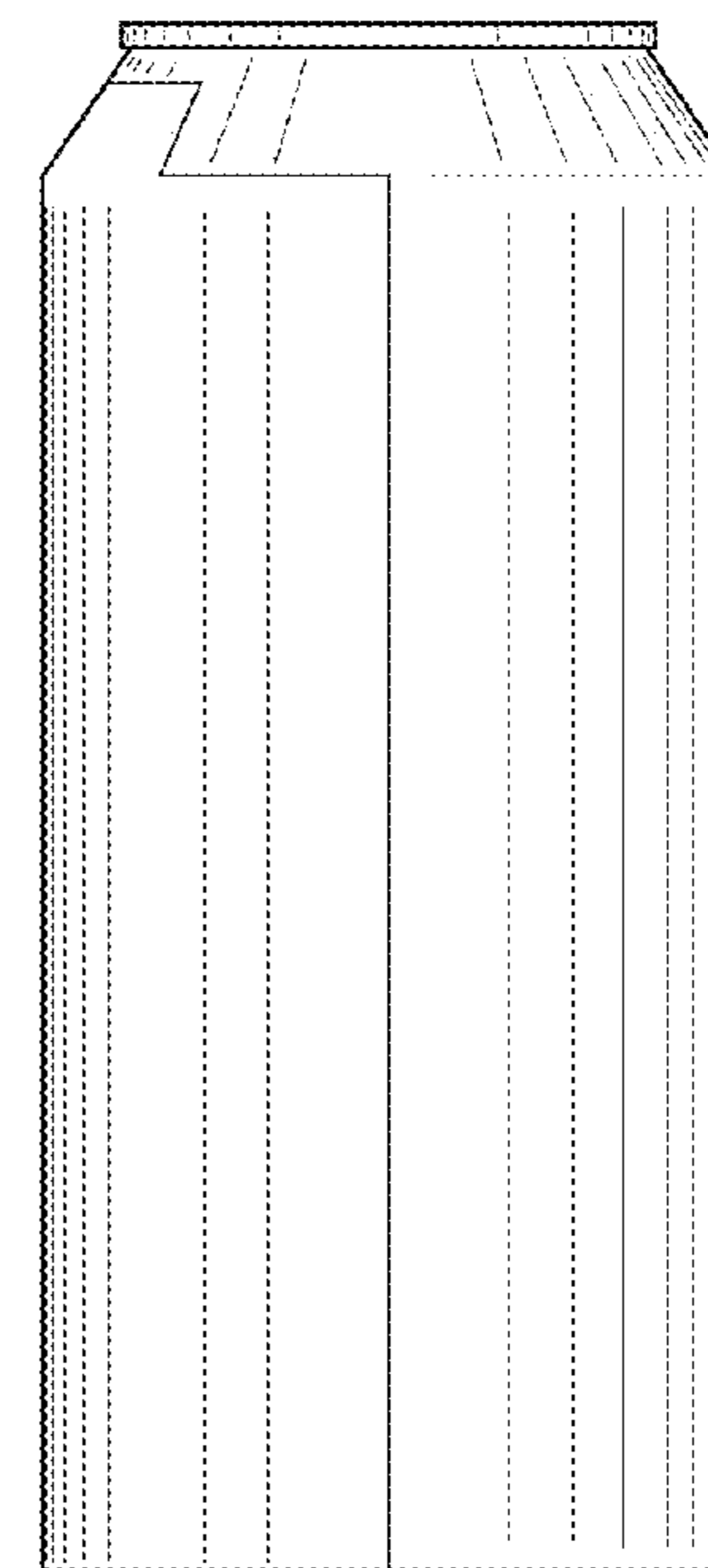


FIG. 5

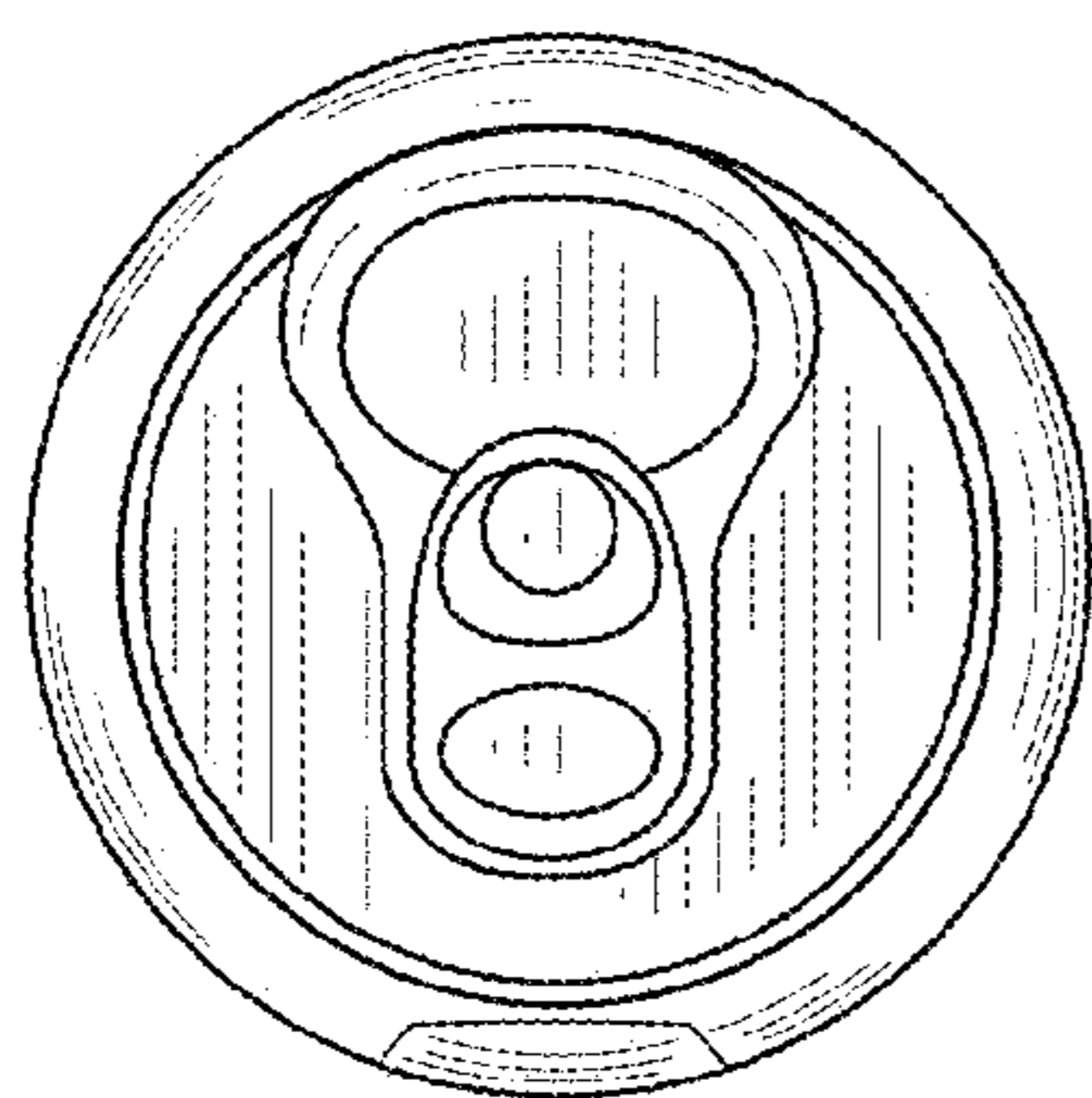


FIG. 6

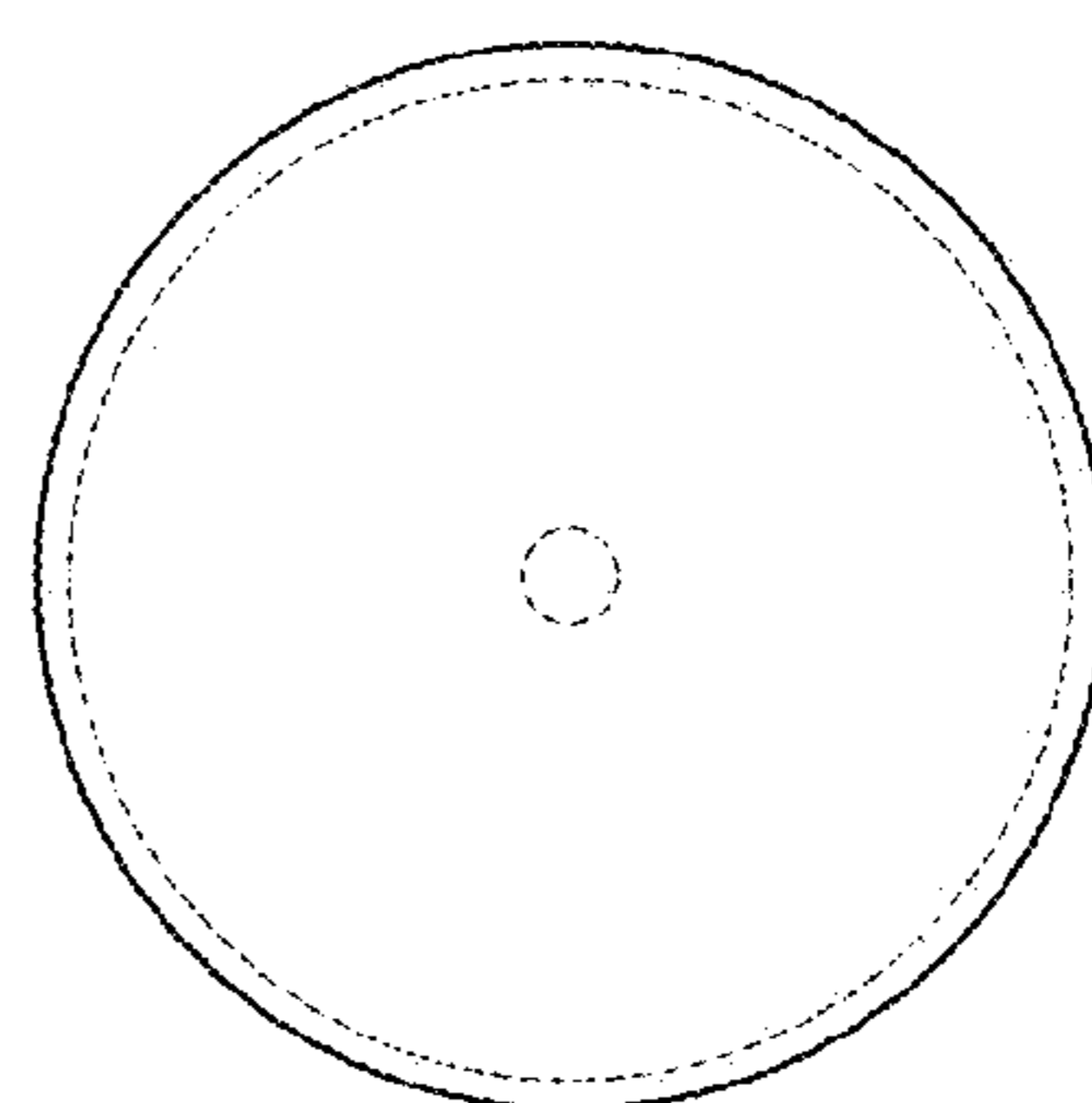


FIG. 7

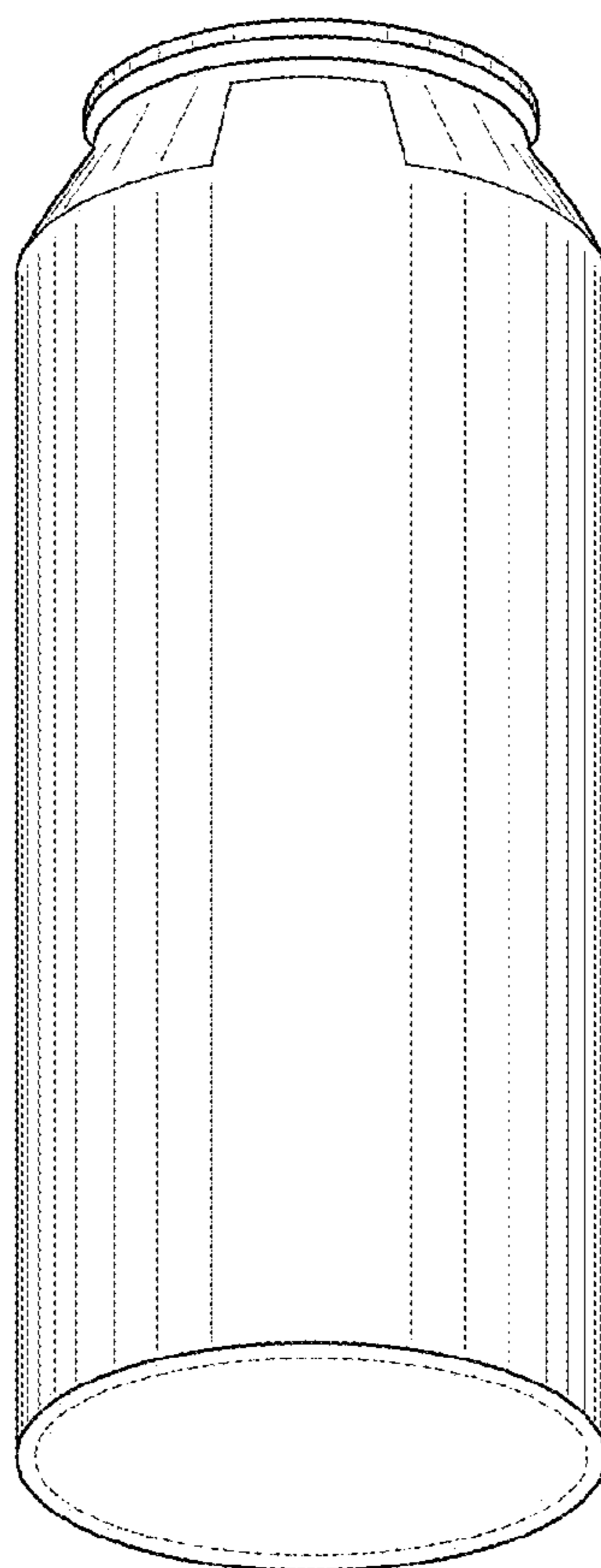


FIG. 8