



US00D693697S

(12) **United States Design Patent**
Revivo

(10) **Patent No.:** **US D693,697 S**
(45) **Date of Patent:** **** Nov. 19, 2013**

(54) **CYLINDRICAL-SHAPED DOUBLE BOTTLE FORMED FROM TWO SEMI-CYLINDRICAL BOTTLES RETAINED TOGETHER TO FORM A FULL CYLINDRICAL-SHAPED DOUBLE BOTTLE**

6,604,655 B1 * 8/2003 Lee 222/135
D506,933 S * 7/2005 Kearney D9/743
D513,388 S * 1/2006 Akopyan D9/739

(Continued)

(76) Inventor: **Jacob Revivo**, Sherman Oaks, CA (US)

(**) Term: **14 Years**

(21) Appl. No.: **29/373,354**

(22) Filed: **Apr. 1, 2011**

(51) **LOC (9) Cl.** **09-01**

(52) **U.S. Cl.**
USPC **D9/684; D9/690**

(58) **Field of Classification Search**
USPC D9/682-694, 719, 737-747, 516-575,
D9/434-436, 439, 440, 447-450; 215/6,
215/10, 382-384, 386, 395; 220/4.21, 4.24,
220/4.25, 4.27, 23.2, 23.4, 23.83, 23.86,
220/669, 674, 675, 6, 94, 737; 222/129,
222/135, 143, 182, 631, 635, 209, 211-213,
222/215, 321.7-321.9, 372, 373, 378, 379,
222/383.1, 384-386, 398, 400.7, 400.8,
222/401, 402.1-402.25

See application file for complete search history.

(56) **References Cited**

U.S. PATENT DOCUMENTS

D280,599 S * 9/1985 Green D9/741
D281,824 S * 12/1985 Field D28/76
D290,434 S * 6/1987 Brown D6/544
D313,347 S * 1/1991 Fiore D9/745
D333,263 S * 2/1993 Markuzov D9/741
5,316,159 A * 5/1994 Douglas et al. 215/10
D356,494 S * 3/1995 Eke et al. D9/684
D385,184 S * 10/1997 Binter D9/743
D404,302 S * 1/1999 Martin D9/743
D414,104 S * 9/1999 Klauke et al. D9/695
6,170,708 B1 * 1/2001 Chen et al. 222/135
D439,156 S * 3/2001 Hall et al. D9/743
D453,113 S * 1/2002 Feen et al. D9/561

FOREIGN PATENT DOCUMENTS

GB 2095378 * 4/2001

Primary Examiner — Catherine Tuttle

(74) *Attorney, Agent, or Firm* — Thomas I. Rozsa

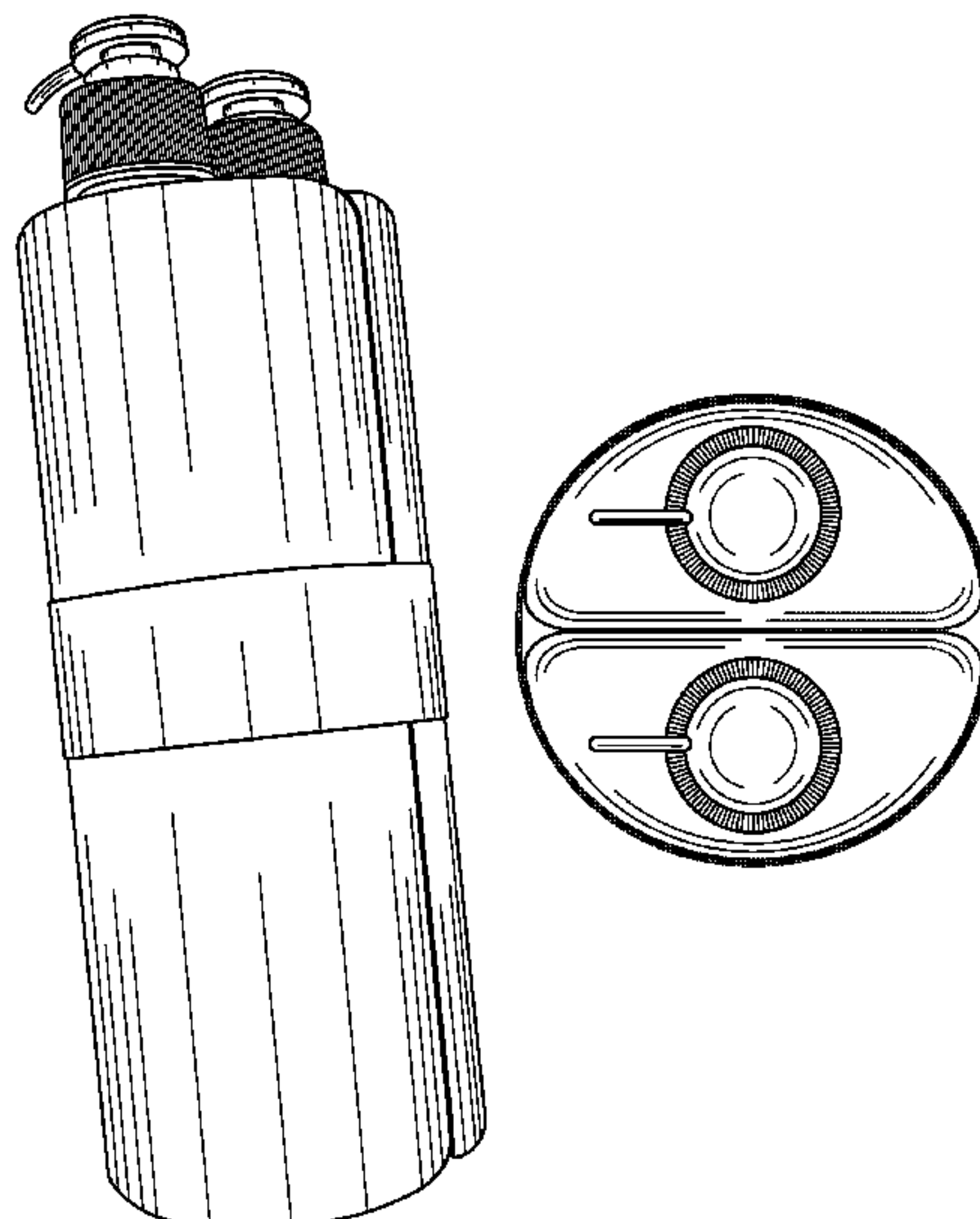
(57) **CLAIM**

The ornamental design for a cylindrical-shaped double bottle formed from two semi-cylindrical bottles retained together to form a full cylindrical-shaped double bottle, as shown and described.

DESCRIPTION

FIG. 1 is a front perspective view showing my new design for the cylindrical-shaped double bottle formed from two semi-cylindrical bottles retained together to form a full cylindrical-shaped double bottle;
FIG. 2 is a rear elevational view thereof;
FIG. 3 is a front elevational view thereof;
FIG. 4 is a left side elevational view thereof;
FIG. 5 is a right side elevational view thereof;
FIG. 6 is a bottom plan view thereof;
FIG. 7 is a top plan view thereof;
FIG. 8 is a bottom perspective view thereof;
FIG. 9 is a perspective view showing the rear triangular bottle separately for clarity and to disclose the surface obscured in the assembled views;
FIG. 10 is a rear elevational view thereof;
FIG. 11 is a front elevational view thereof;
FIG. 12 is a left side elevational view thereof;
FIG. 13 is a right side elevational view thereof;
FIG. 14 is a bottom plan view thereof;
FIG. 15 is a top plan view thereof; and,
FIG. 16 is a bottom perspective view.

1 Claim, 14 Drawing Sheets



US D693,697 S

Page 2

(56)

References Cited

U.S. PATENT DOCUMENTS

D558,605 S *	1/2008	Bowers et al.	D9/743	
D569,737 S *	5/2008	Ogawa et al.	D9/740	
D588,929 S *	3/2009	Boigeol et al.	D9/691	* cited by examiner
D614,046 S *	4/2010	Piro	D9/743	
2006/0175277 A1 *	8/2006	Ho	215/6	
2010/0314389 A1 *	12/2010	Wojton et al.	220/23.4	

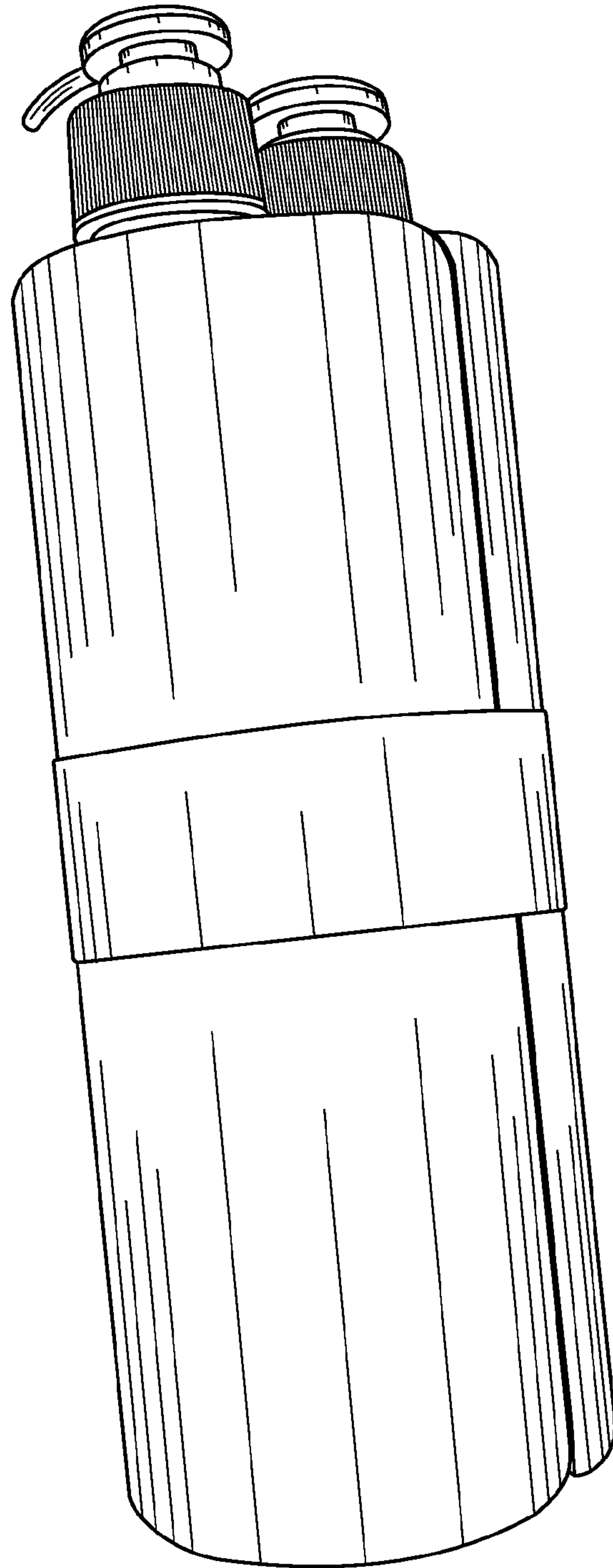


FIG. 1

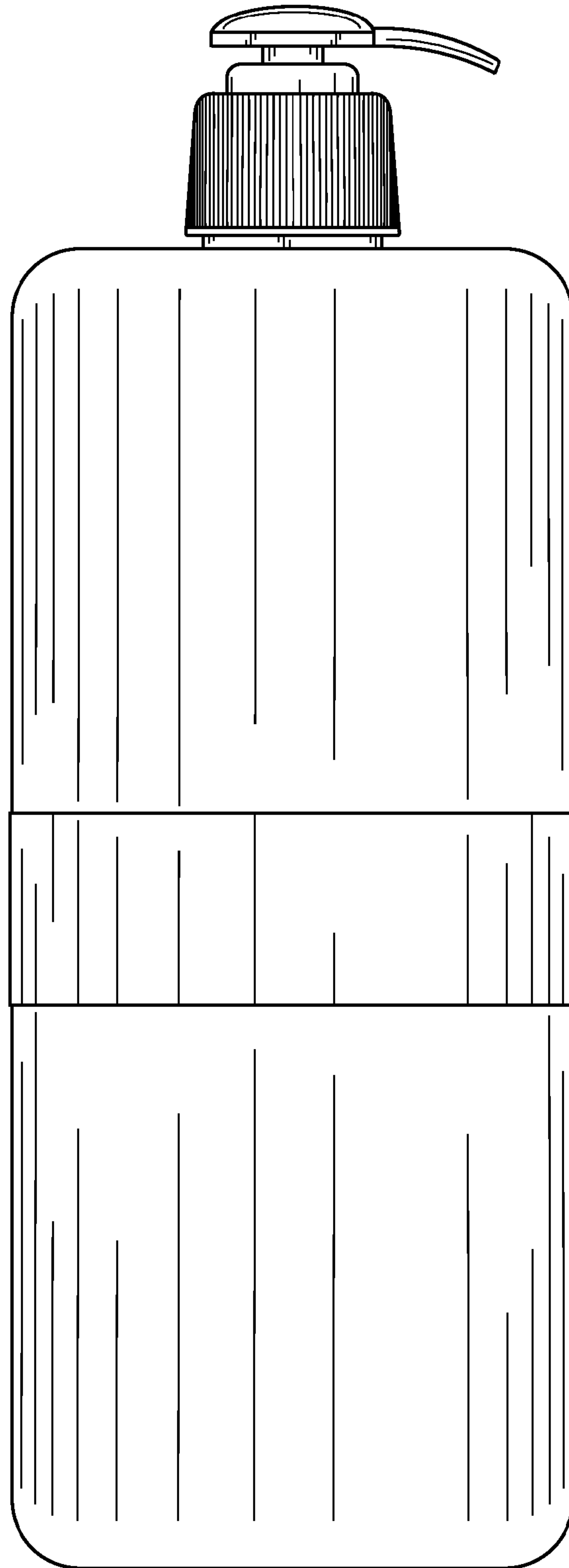


FIG. 2

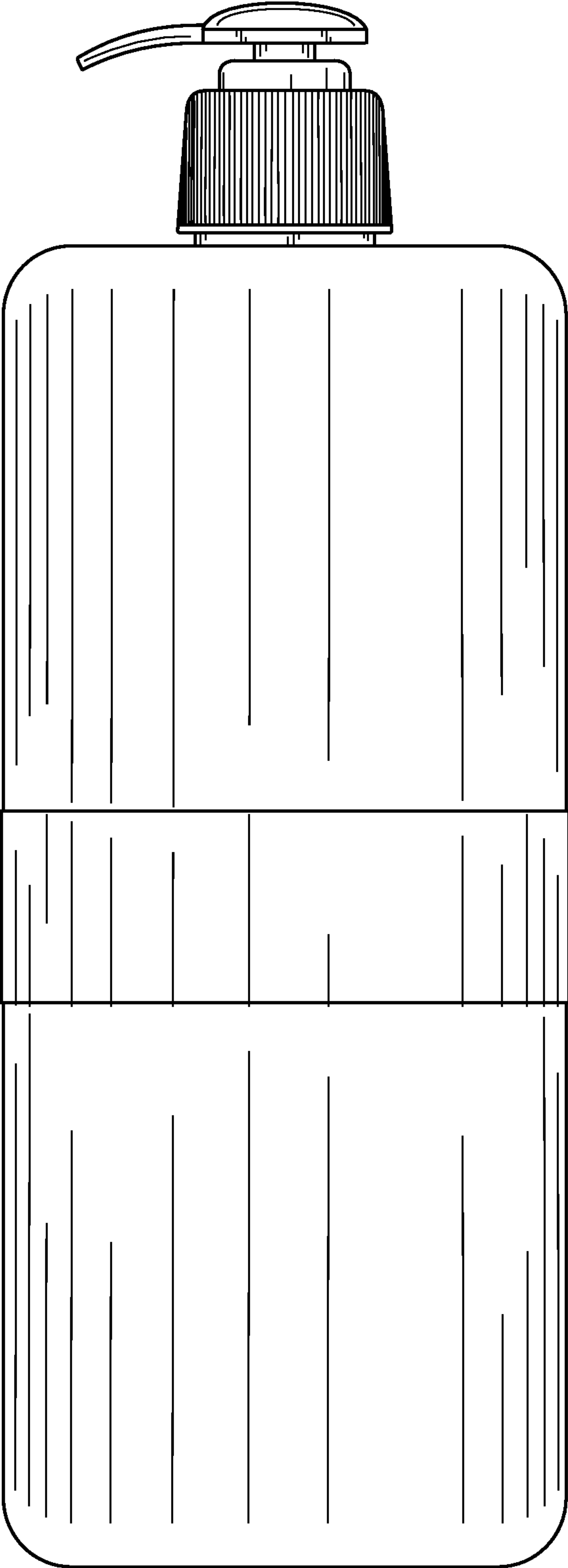


FIG. 3

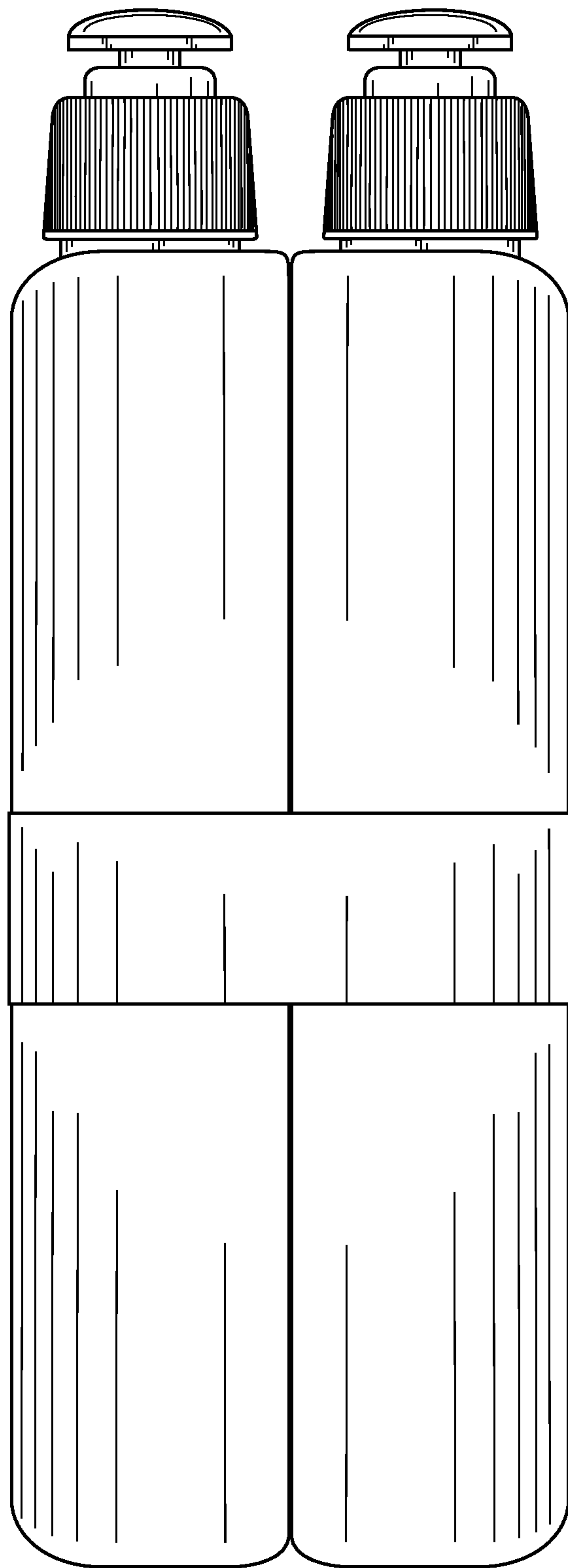


FIG. 4

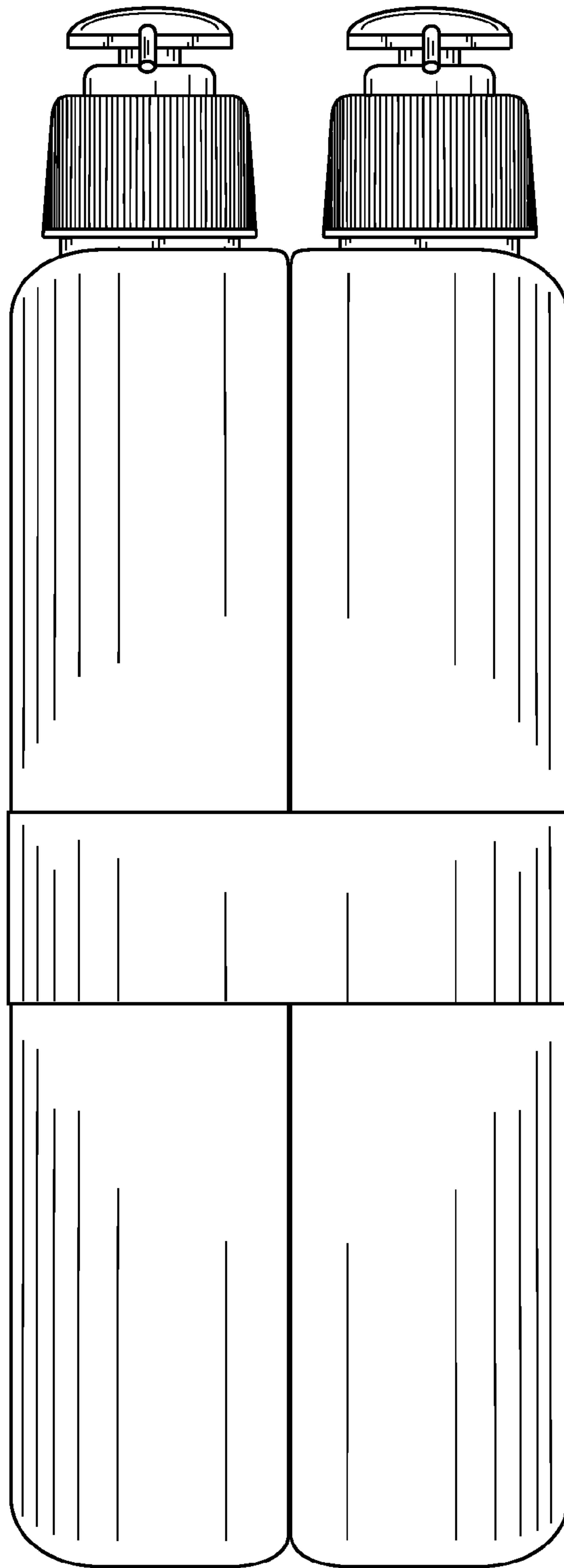


FIG. 5

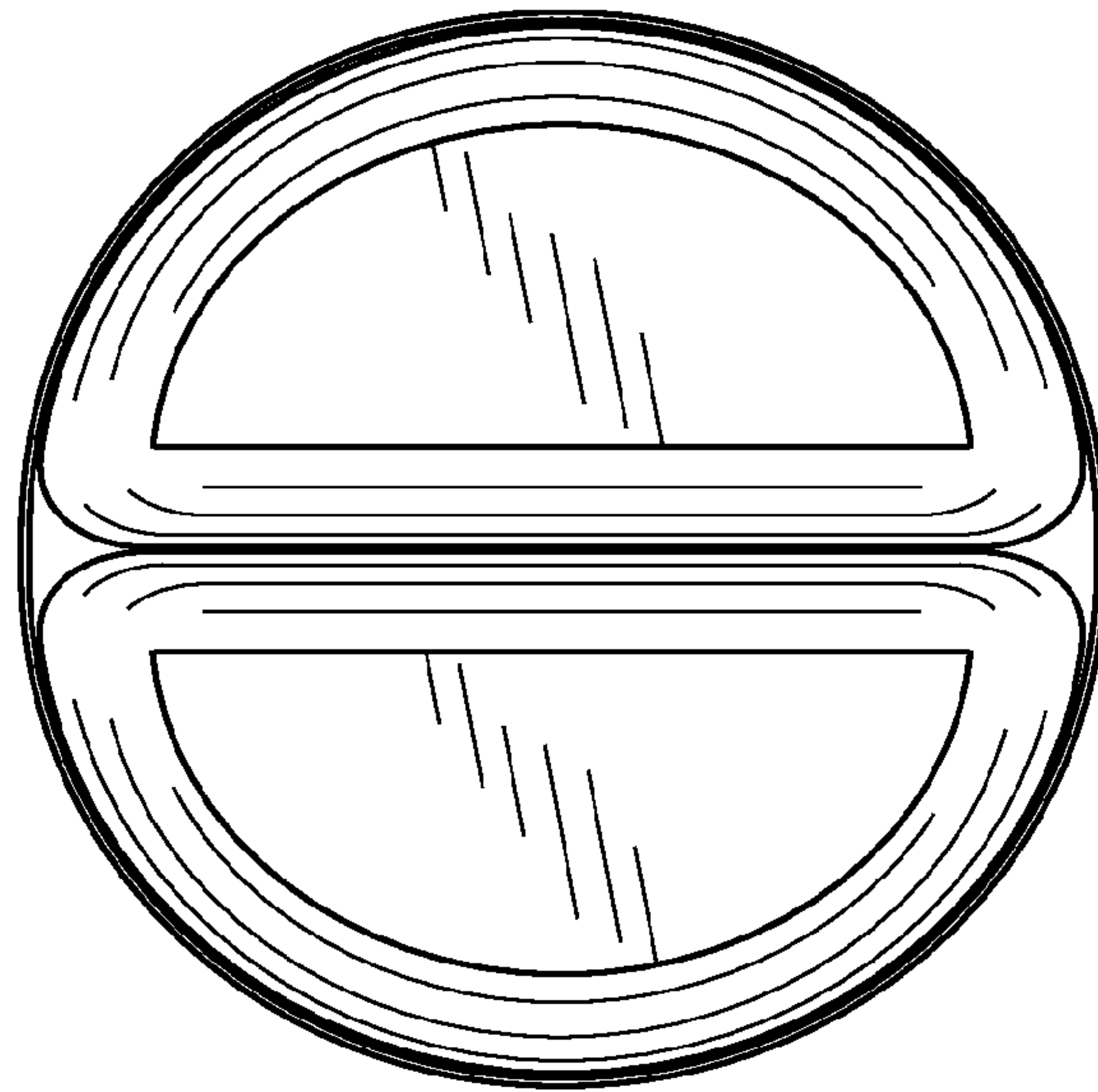


FIG. 6

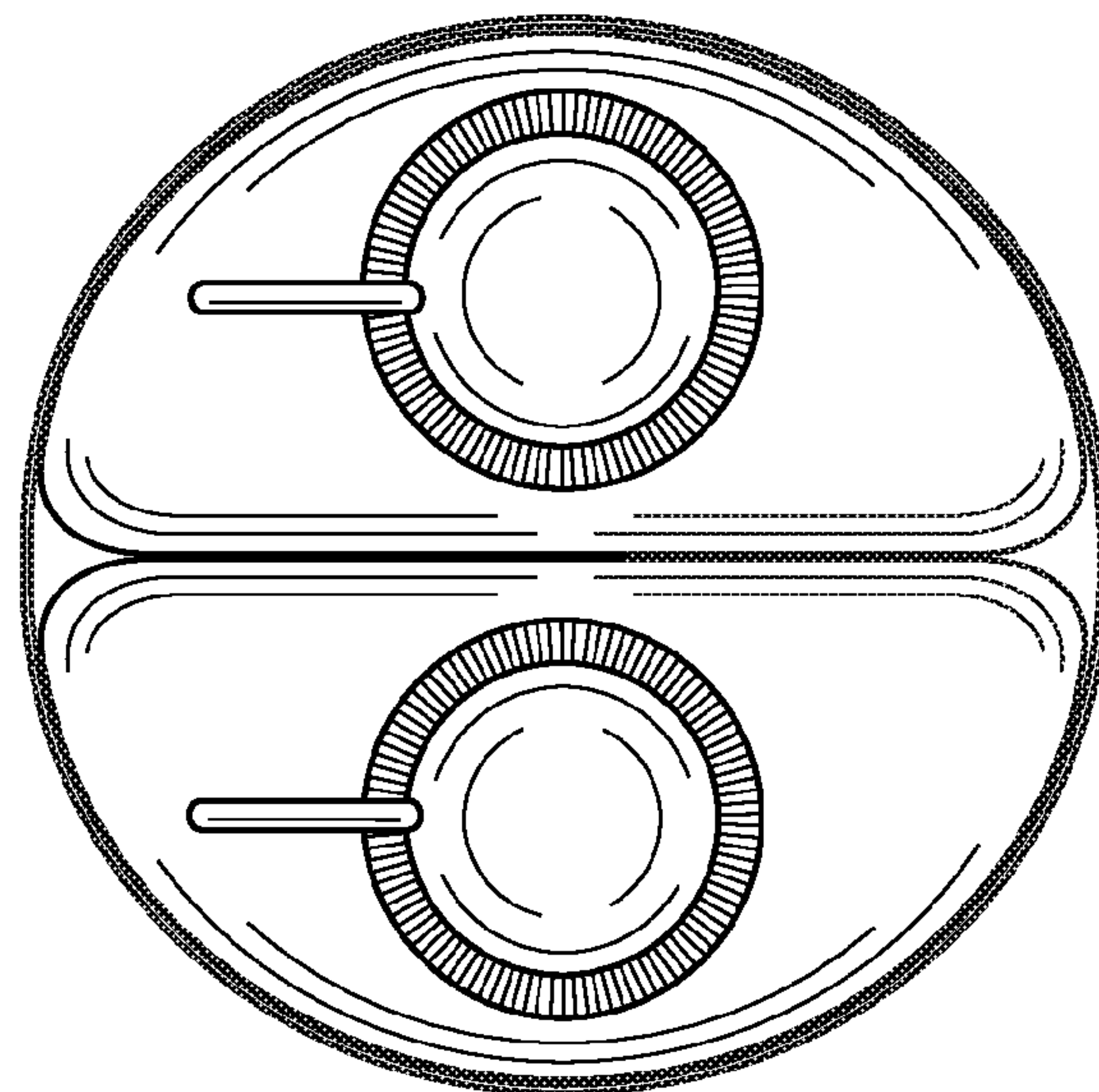


FIG. 7

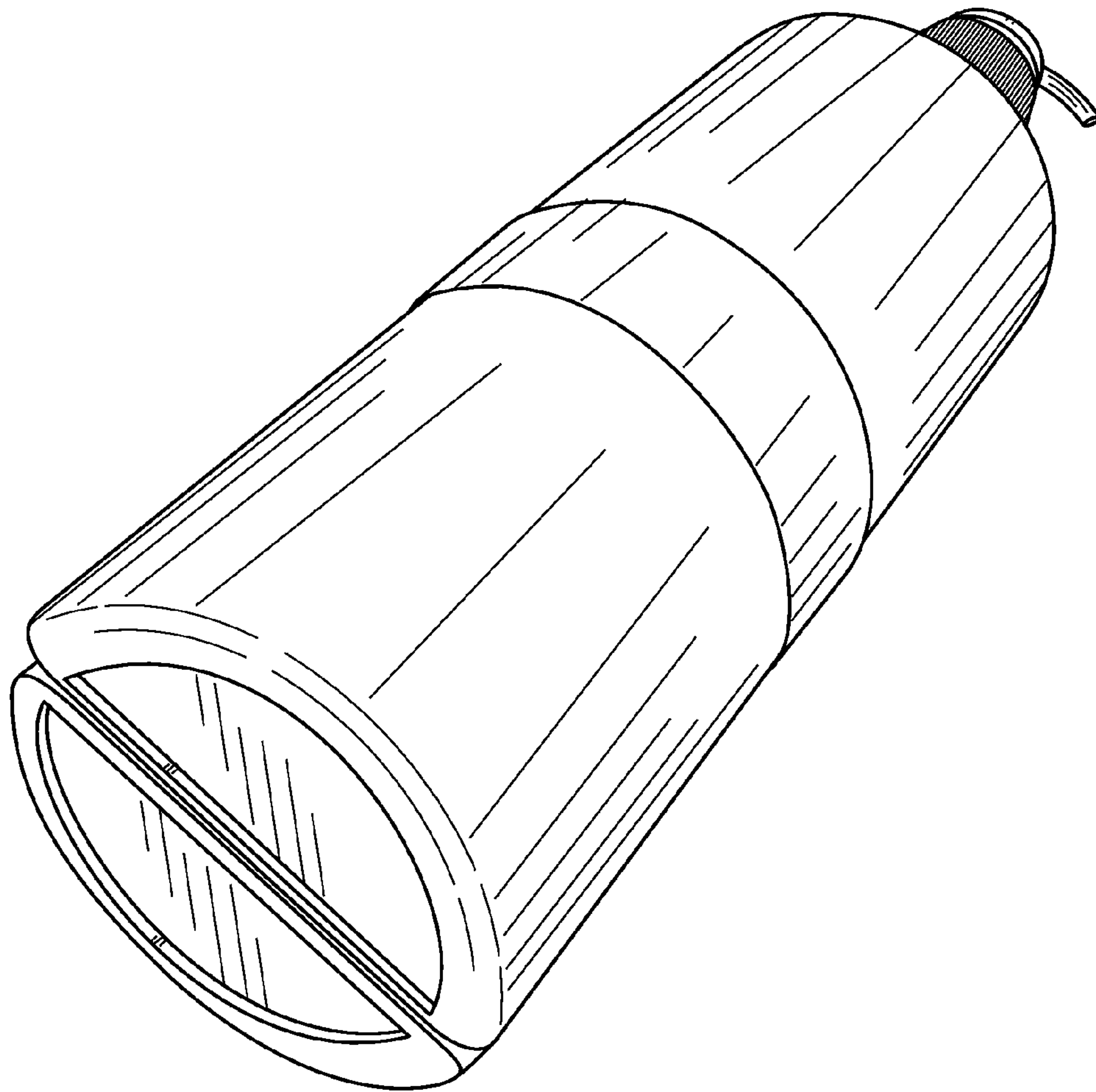


FIG. 8

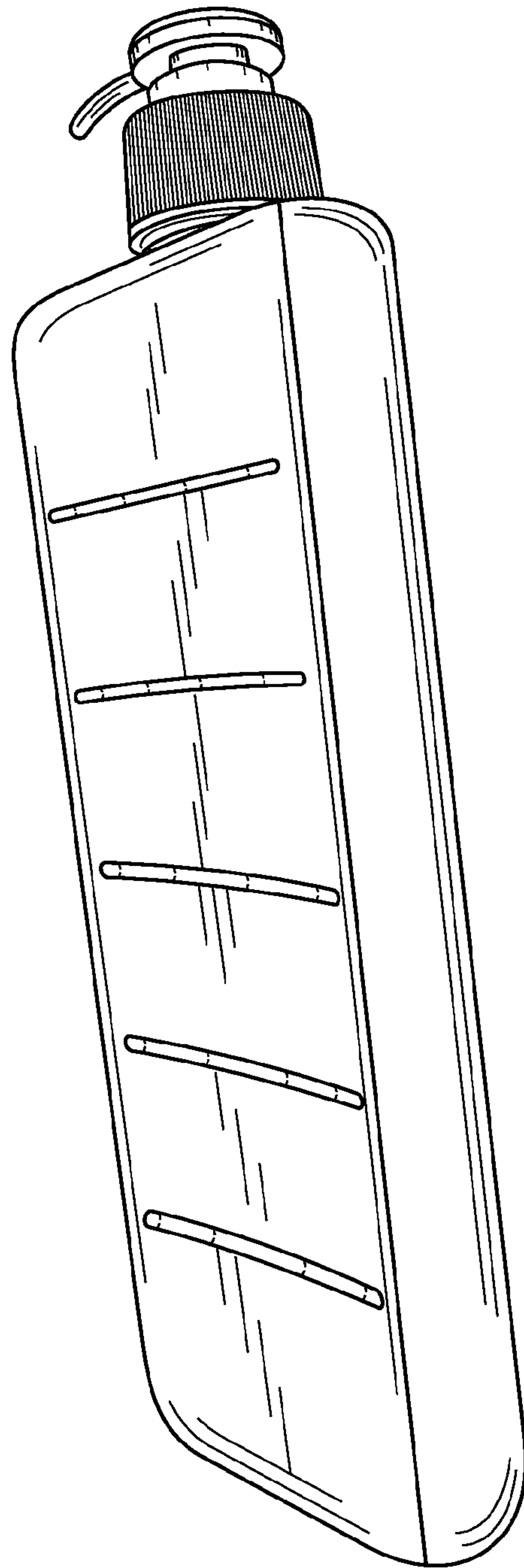


FIG. 9

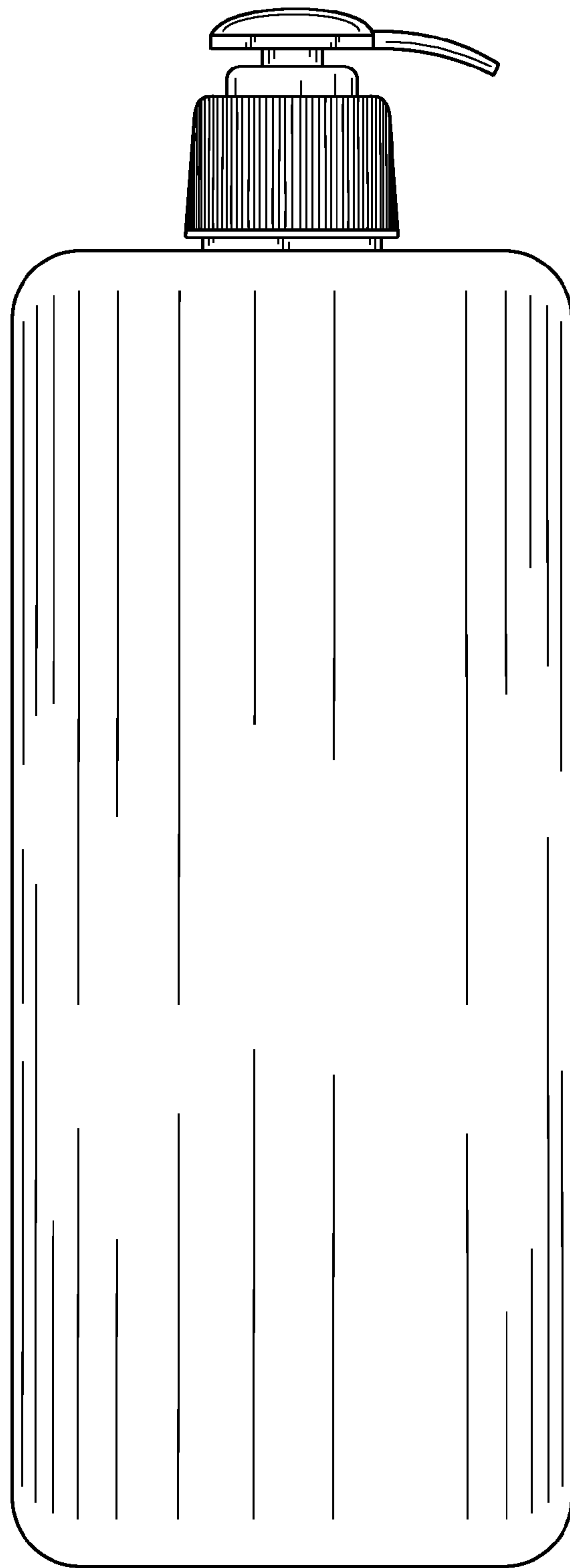


FIG. 10

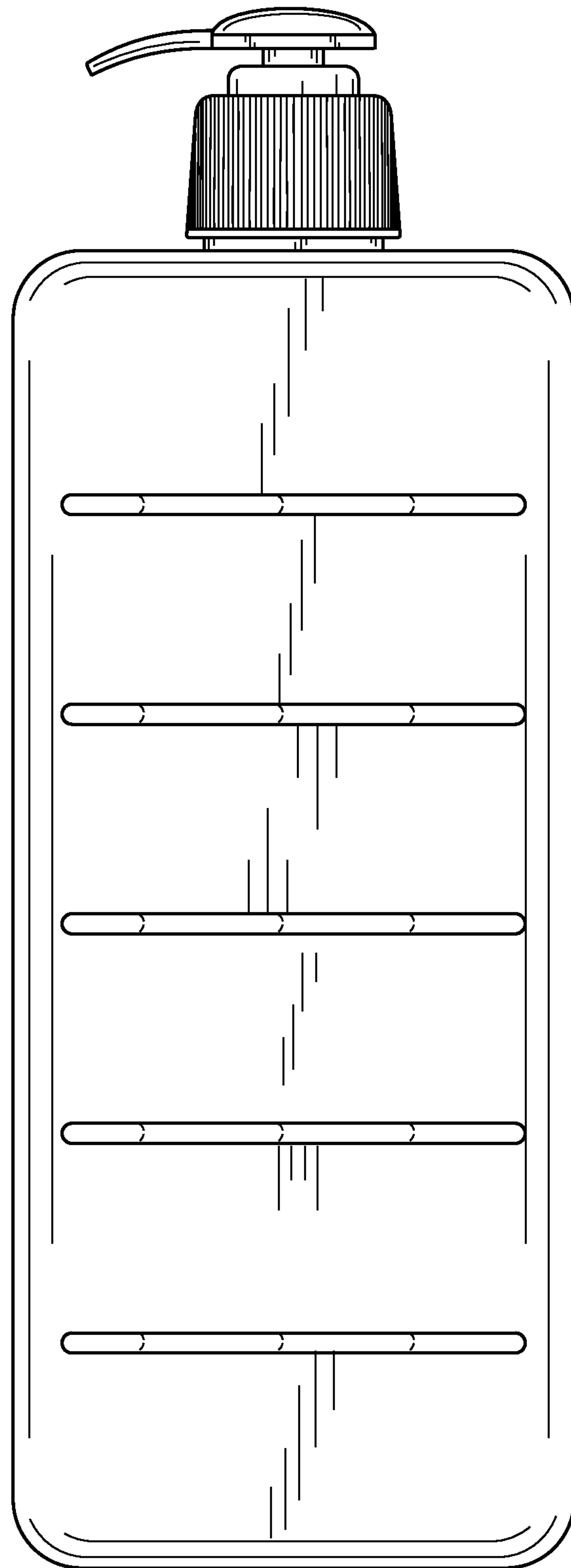


FIG. 11

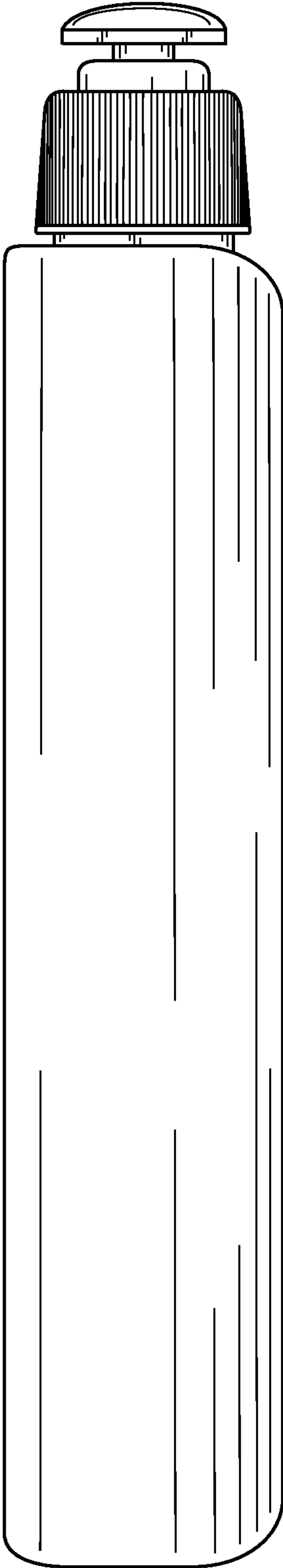


FIG. 12

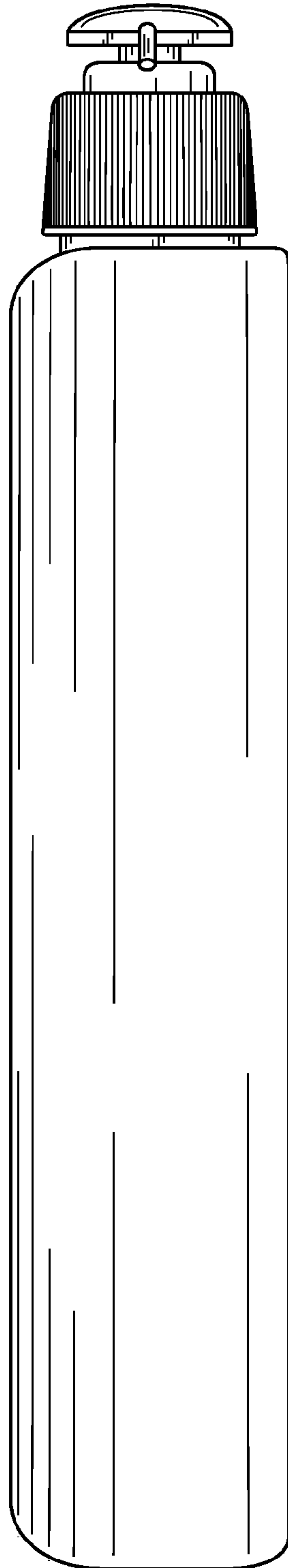


FIG. 13

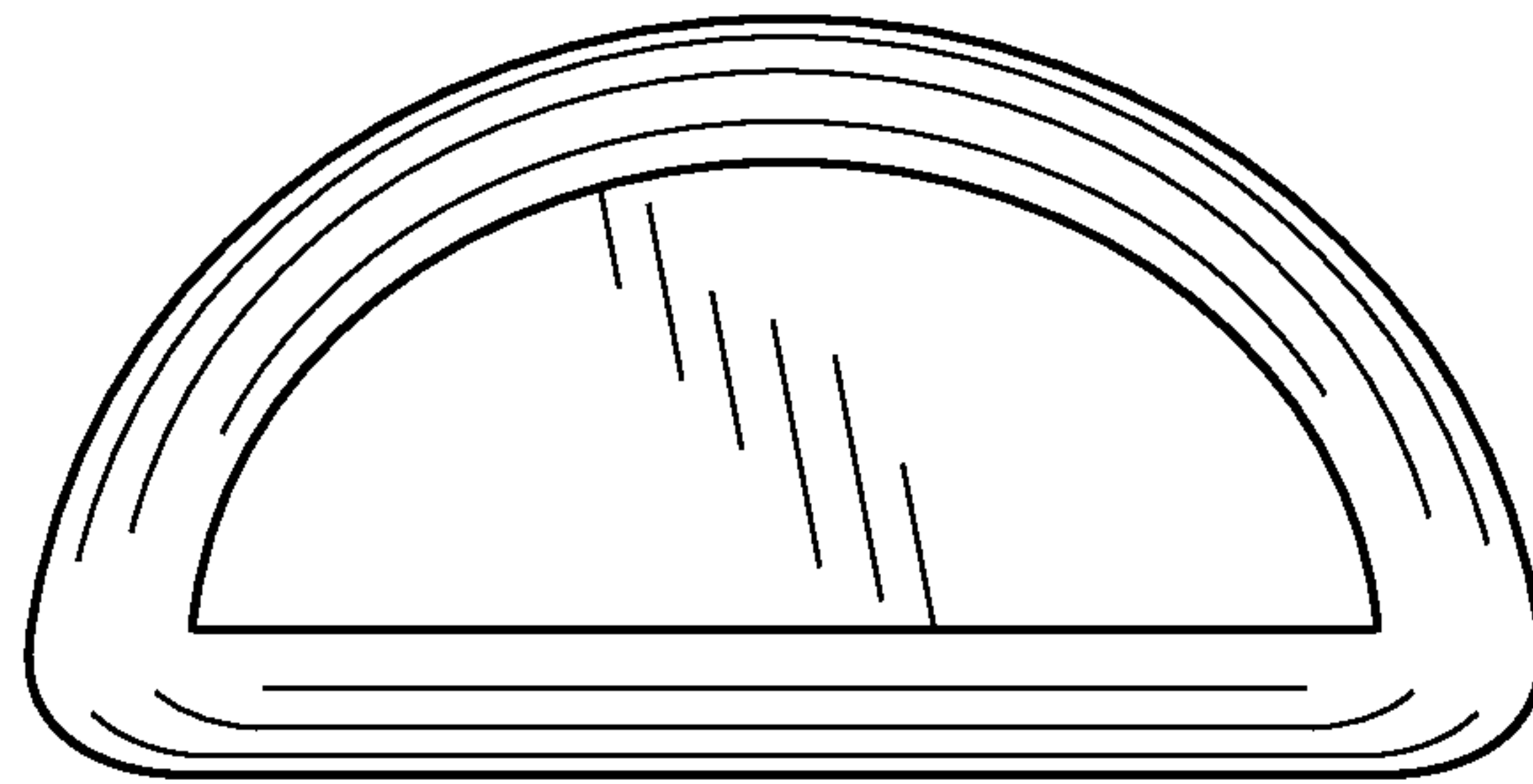


FIG. 14

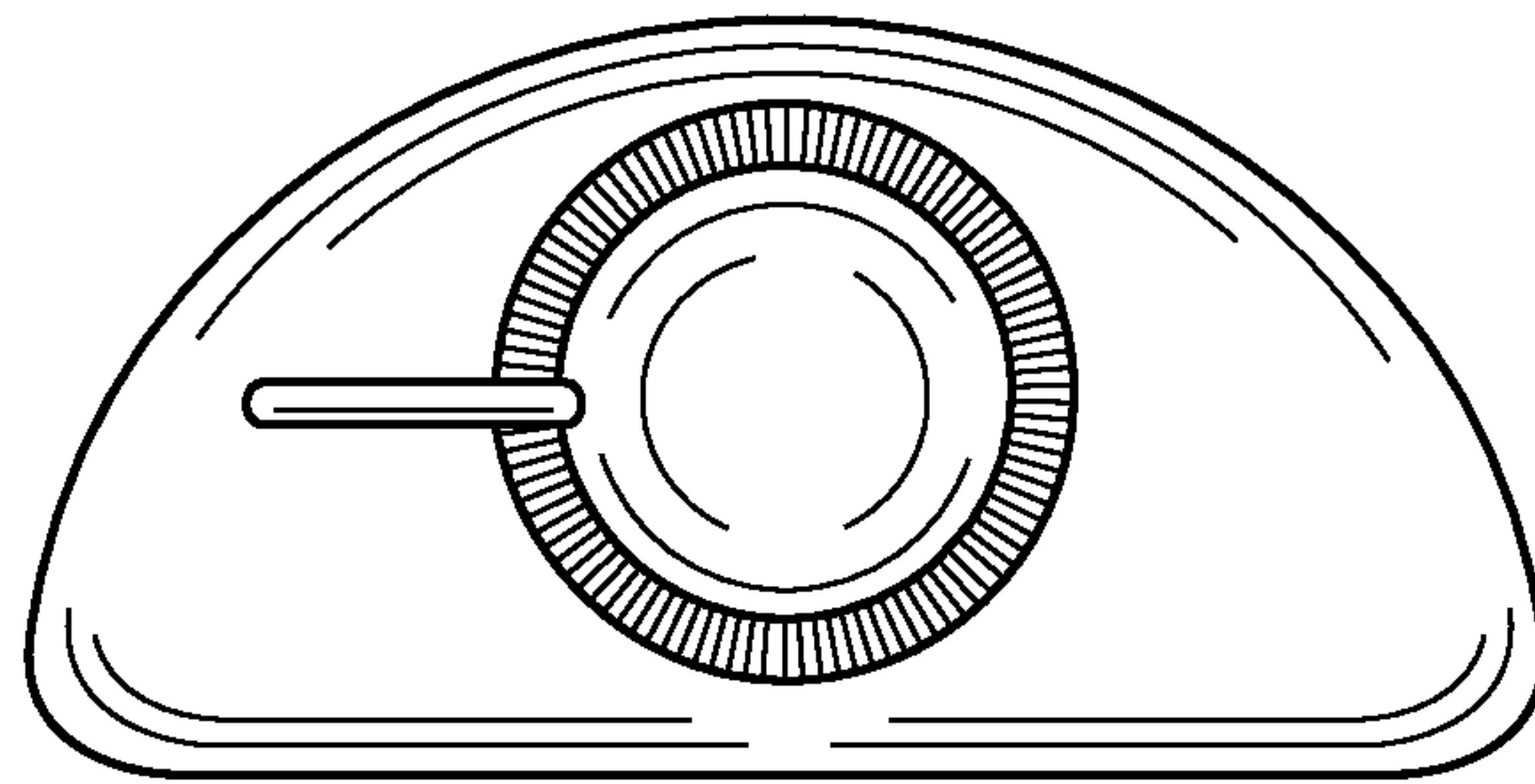


FIG. 15

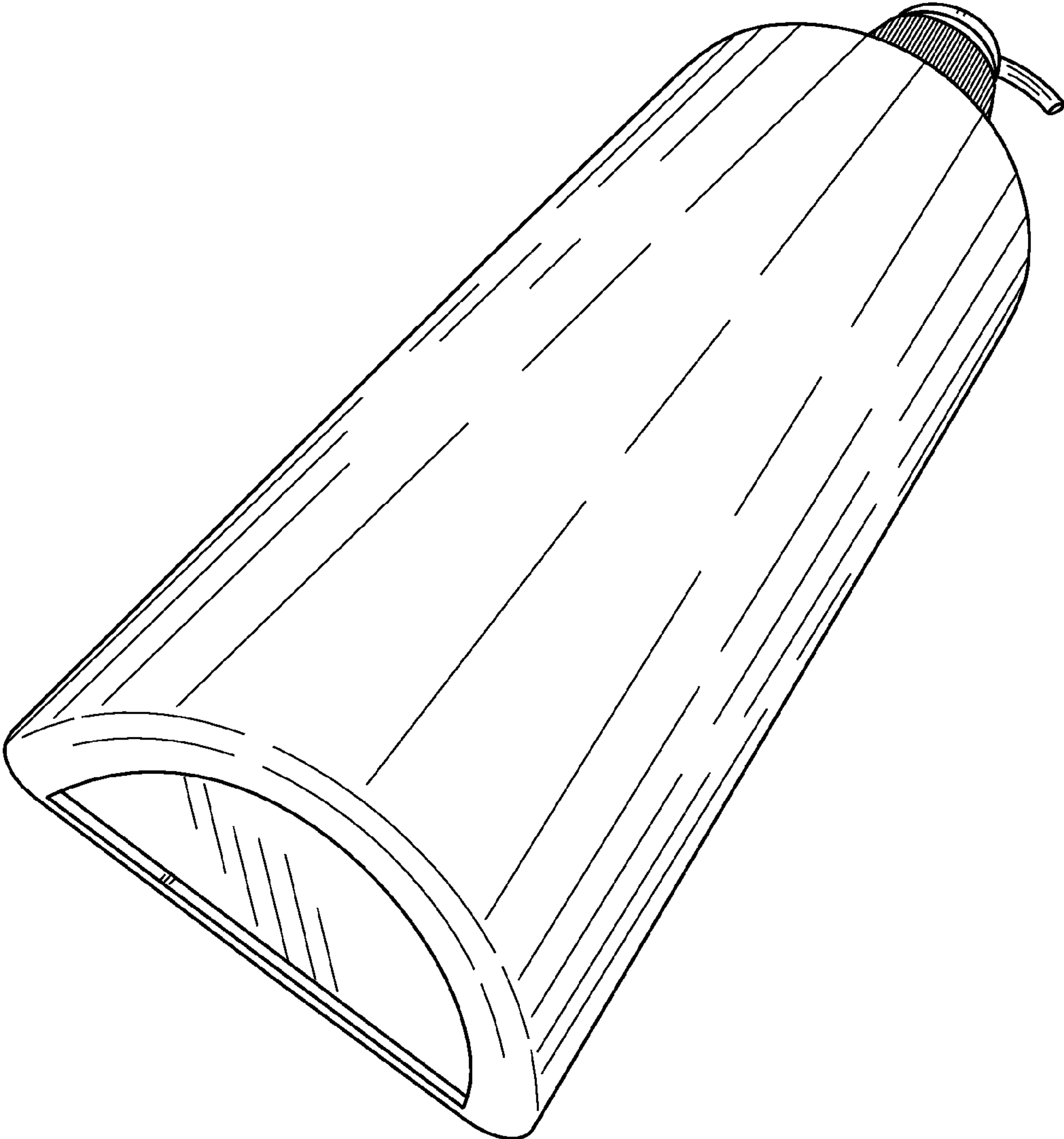


FIG. 16