

US00D693696S

(12) **United States Design Patent**
Vice et al.

(10) **Patent No.:** **US D693,696 S**
(45) **Date of Patent:** **** Nov. 19, 2013**

(54) **COMBINED COSMETICS CONTAINER AND APPLICATOR**

(71) Applicants: **Chad W. Vice**, Phoenix, AZ (US);
Marquita D. Vice, Phoenix, AZ (US);
Kambria M. Vice, Phoenix, AZ (US)

(72) Inventors: **Chad W. Vice**, Phoenix, AZ (US);
Marquita D. Vice, Phoenix, AZ (US);
Kambria M. Vice, Phoenix, AZ (US)

(73) Assignee: **Silly Sister Inc.**, Phoenix, AZ (US)

(**) Term: **14 Years**

(21) Appl. No.: **29/436,976**

(22) Filed: **Nov. 12, 2012**

(51) **LOC (9) Cl.** **09-01**

(52) **U.S. Cl.**
USPC **D9/661; D9/665; D9/451; D9/723**

(58) **Field of Classification Search**
USPC **D9/600, 661-665, 723-727, 500-504,**
D9/516, 451; 206/457, 527, 540; 220/890;
229/153, 116.2; D11/145;
D7/514-515, 571, 613, 619.2
See application file for complete search history.

(56) **References Cited**

U.S. PATENT DOCUMENTS

D17,047 S *	1/1887	Bailey	D9/600
D38,250 S *	9/1906	Bell	D9/665
D40,500 S *	2/1910	Patno	D9/665
D83,314 S *	2/1931	Crane	D9/600
D110,790 S *	8/1938	Ansell	D9/661
D116,371 S *	8/1939	Lewis	D9/665
D125,567 S *	3/1941	Grunberg	D9/500
D138,281 S *	7/1944	Grunberg	D9/663
D164,765 S *	10/1951	Despres	D9/665

D256,826 S *	9/1980	Phillips	D9/620
D399,732 S *	10/1998	Roberts	D9/600
D412,276 S *	7/1999	Arslanian	D9/661
D433,934 S *	11/2000	Gatti	D9/662
D483,674 S *	12/2003	Clark	D9/502
D515,935 S *	2/2006	Lin	D9/663

* cited by examiner

Primary Examiner — Sandra Morris

(74) *Attorney, Agent, or Firm* — Thomas W. Galvani, P.C.;
Thomas W. Galvani

(57) **CLAIM**

The ornamental design for a combined cosmetics container and applicator, as shown and described.

DESCRIPTION

FIG. 1 is a top perspective view of a combined cosmetics container and applicator shown in accordance with our new design;

FIG. 2 is a bottom perspective view of the combined cosmetics container and applicator of FIG. 1;

FIG. 3 is a front elevation view of the combined cosmetics container and applicator of FIG. 1;

FIG. 4 is a rear elevation view of the combined cosmetics container and applicator of FIG. 1;

FIG. 5 is a right side elevation view of the combined cosmetics container and applicator of FIG. 1;

FIG. 6 is a left side elevation view of the combined cosmetics container and applicator of FIG. 1;

FIG. 7 is a top plan view of the combined cosmetics container and applicator of FIG. 1;

FIG. 8 is a bottom plan view of the combined cosmetics container and applicator of FIG. 1; and,

FIG. 9 is an exploded top perspective view of the combined cosmetics container and applicator of FIG. 1.

The features shown in broken lines form no part of the claimed design.

1 Claim, 8 Drawing Sheets

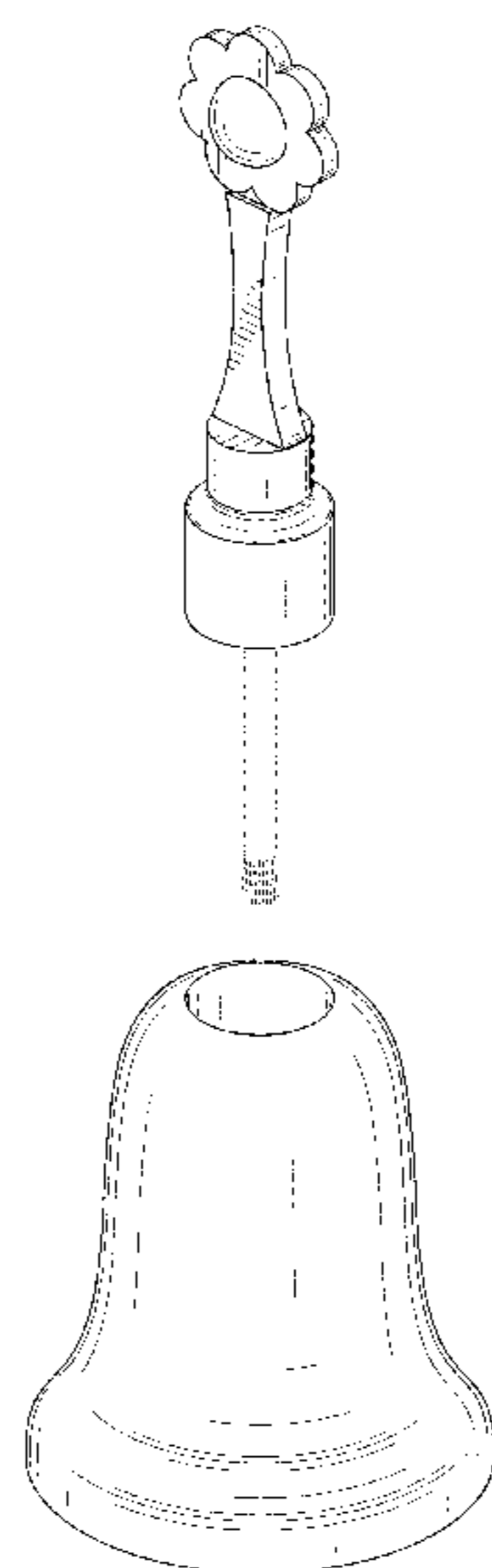




FIG. 1



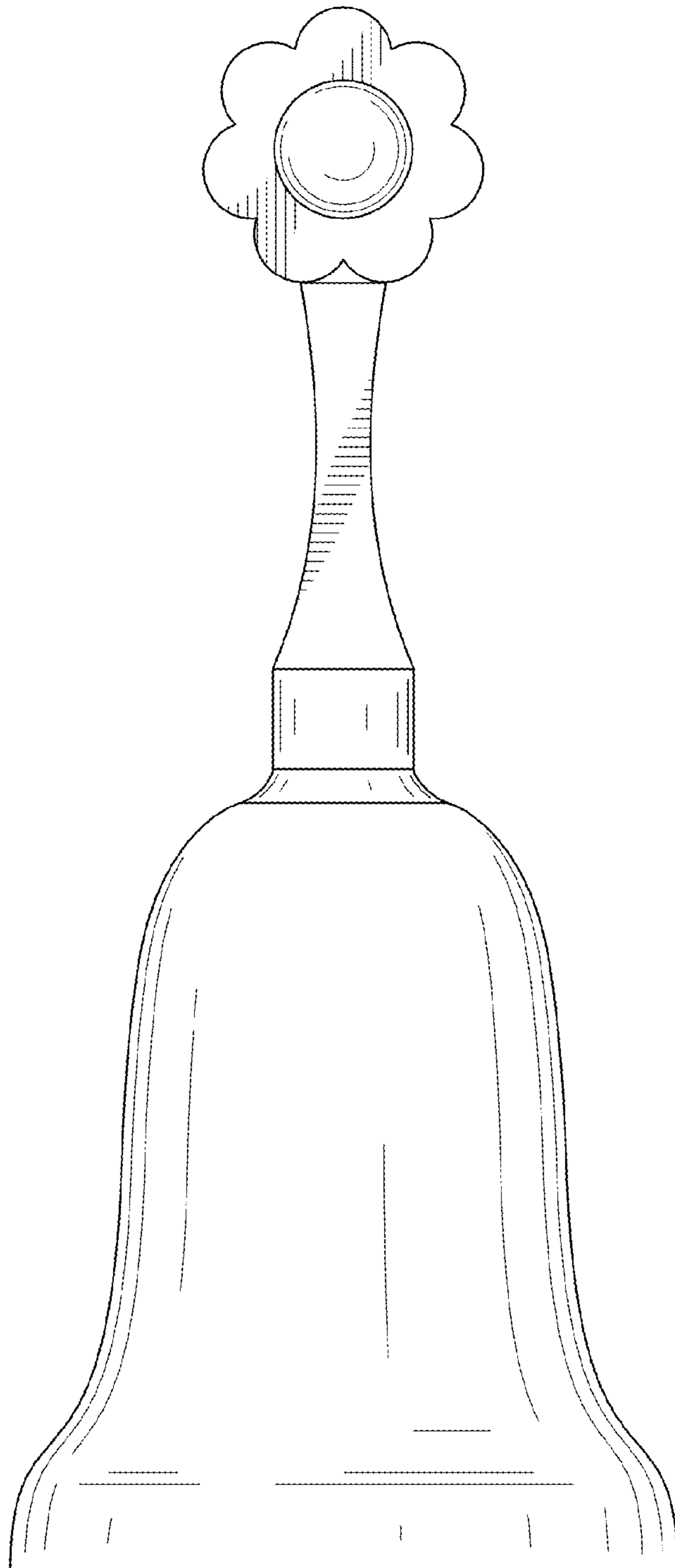


FIG. 3

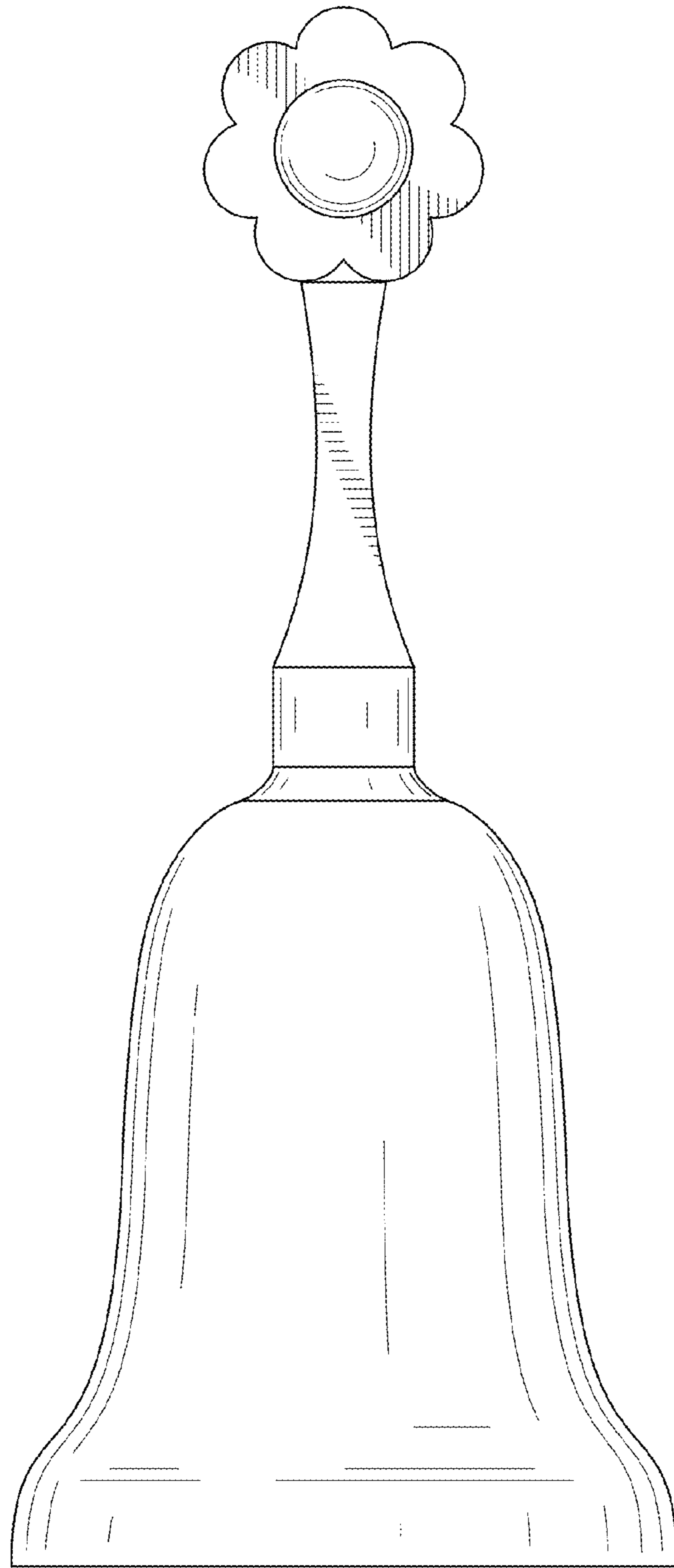


FIG. 4

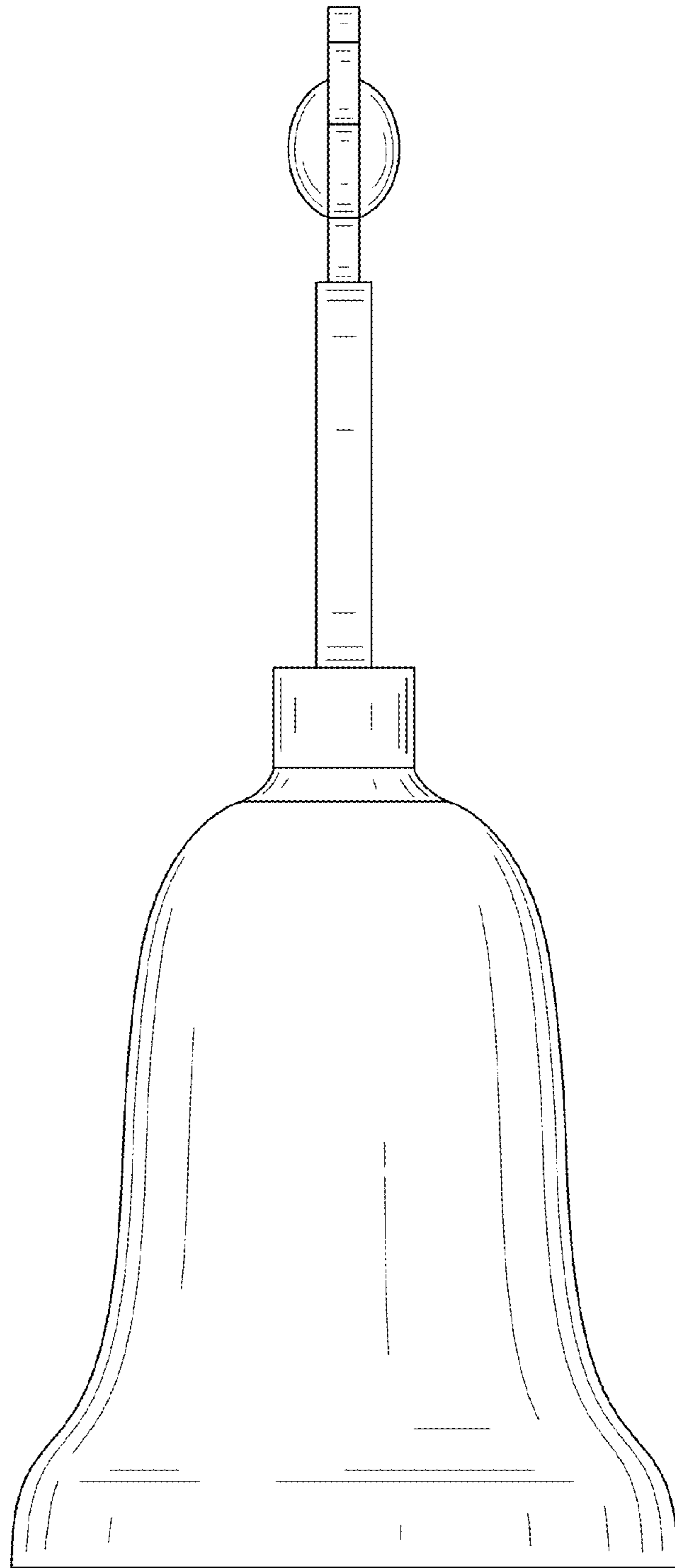


FIG. 5

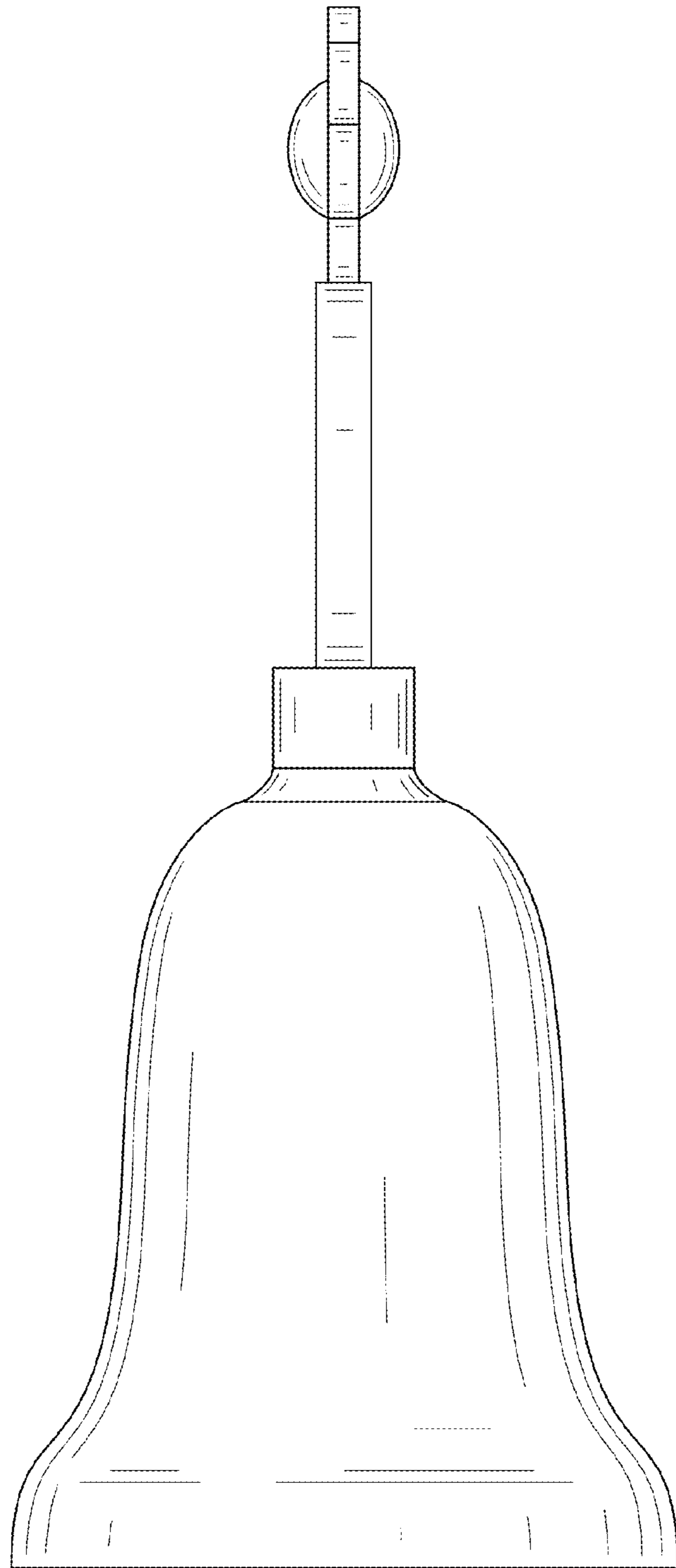


FIG. 6

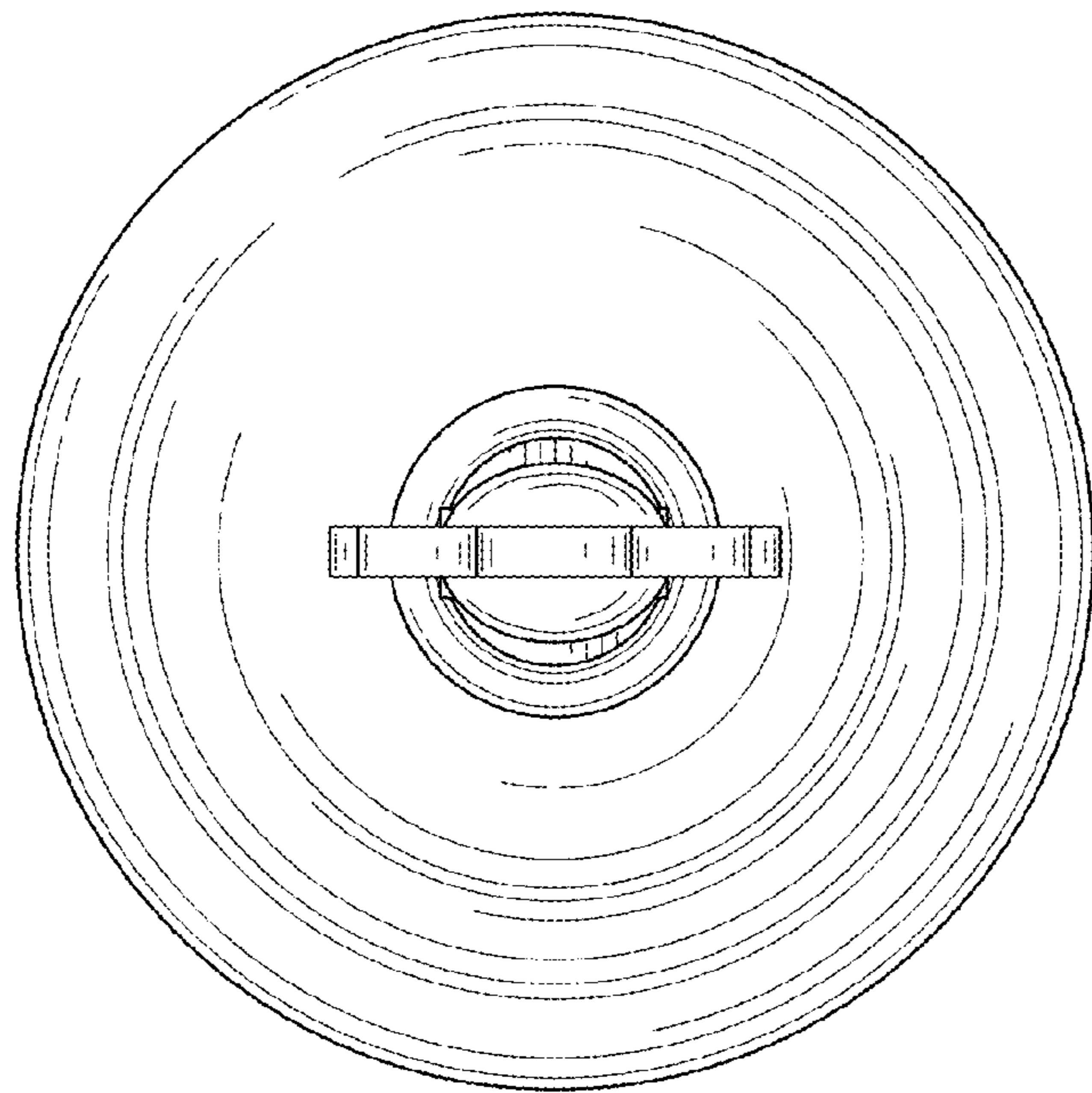


FIG. 7

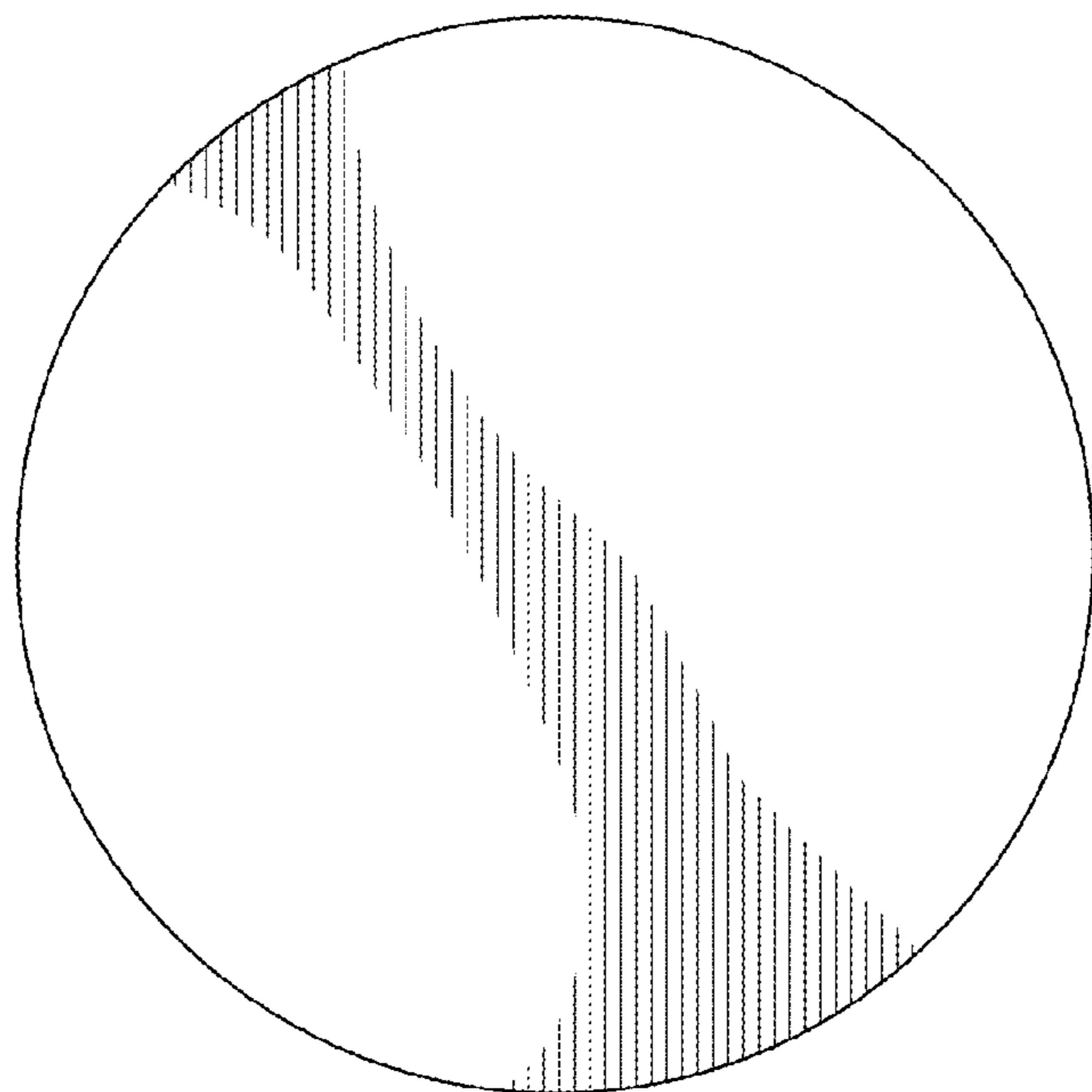


FIG. 8

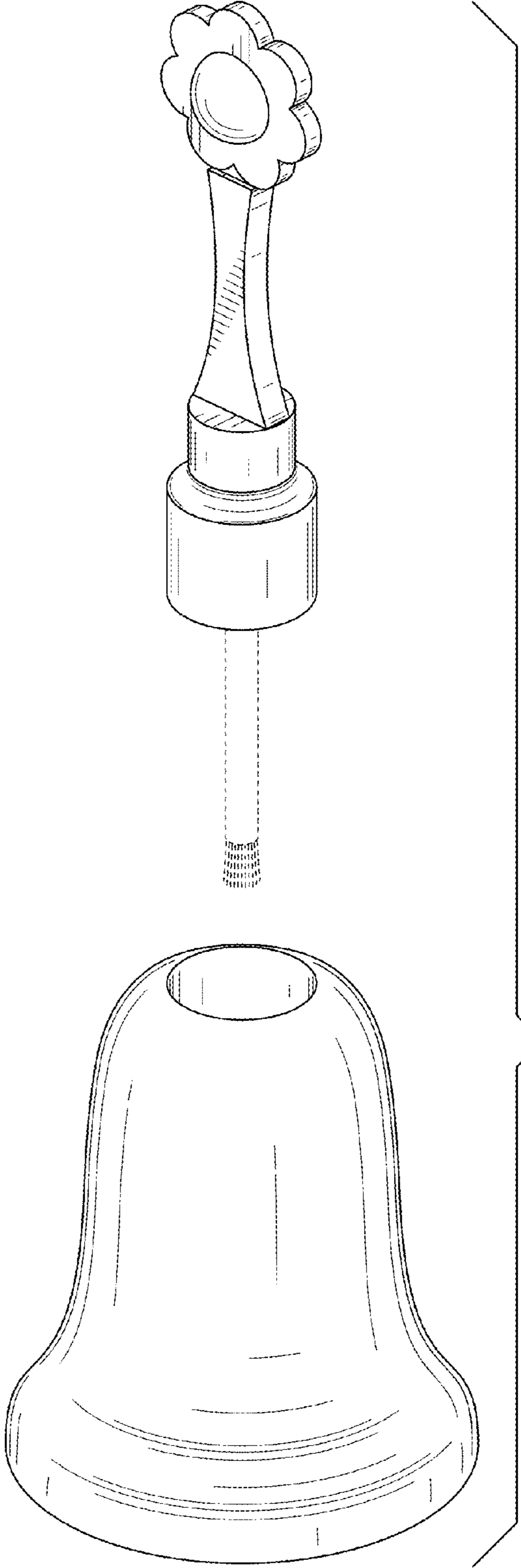


FIG. 9