



US00D693690S

(12) **United States Design Patent**  
**Wakui**

(10) **Patent No.:** **US D693,690 S**

(45) **Date of Patent:** **\*\* Nov. 19, 2013**

(54) **BOTTLE FOR SKIN LOTION**

(71) Applicant: **SHISEIDO Co., Ltd.**, Tokyo (JP)

(72) Inventor: **Hiroshi Wakui**, Tokyo (JP)

(73) Assignee: **Shiseido Co., Ltd.**, Tokyo (JP)

(\*\*) Term: **14 Years**

(21) Appl. No.: **29/421,906**

(22) Filed: **Oct. 16, 2012**

(51) **LOC (9) Cl.** ..... **09-01**

(52) **U.S. Cl.**

USPC ..... **D9/516; D9/529; D9/540**

(58) **Field of Classification Search**

USPC ..... D9/516, 521, 529, 522, 537, 539-540,  
D9/542-543, 544-545, 549, 558, 573-575,  
D9/435, 440, 447, 449, 682-683, 686-688,  
D9/690, 694; 215/381-384; 220/660, 669  
See application file for complete search history.

(56) **References Cited**

**U.S. PATENT DOCUMENTS**

D353,332 S \* 12/1994 Behm et al. .... D9/529  
D428,816 S \* 8/2000 Shiokawa et al. .... D9/521  
D430,034 S \* 8/2000 Kikuchi ..... D9/529  
D527,640 S \* 9/2006 Cummings et al. .... D9/529

D633,390 S \* 3/2011 Toh et al. .... D9/516  
D636,267 S \* 4/2011 Shiota et al. .... D9/529  
D681,471 S \* 5/2013 Ardila B. .... D9/529  
8,511,472 B2 \* 8/2013 Dupuis et al. .... 206/497

\* cited by examiner

*Primary Examiner* — Wan Laymon

(74) *Attorney, Agent, or Firm* — Manabu Kanesaka

(57) **CLAIM**

The ornamental design for a bottle for skin lotion, as shown and described.

**DESCRIPTION**

FIG. 1 is a perspective view of a bottle for skin lotion showing my new design;

FIG. 2 is a front view thereof;

FIG. 3 is a rear view thereof;

FIG. 4 is a left side view thereof;

FIG. 5 is a right side view thereof;

FIG. 6 is a plan view thereof;

FIG. 7 is a bottom view thereof; and,

FIG. 8 is a perspective view thereof, wherein a cap is open.

The broken lines immediately adjacent the shaded areas represent the bounds of the claimed design while all other broken lines represent environment and are for illustrative purposes only; the broken lines form no part of the claimed design.

**1 Claim, 3 Drawing Sheets**

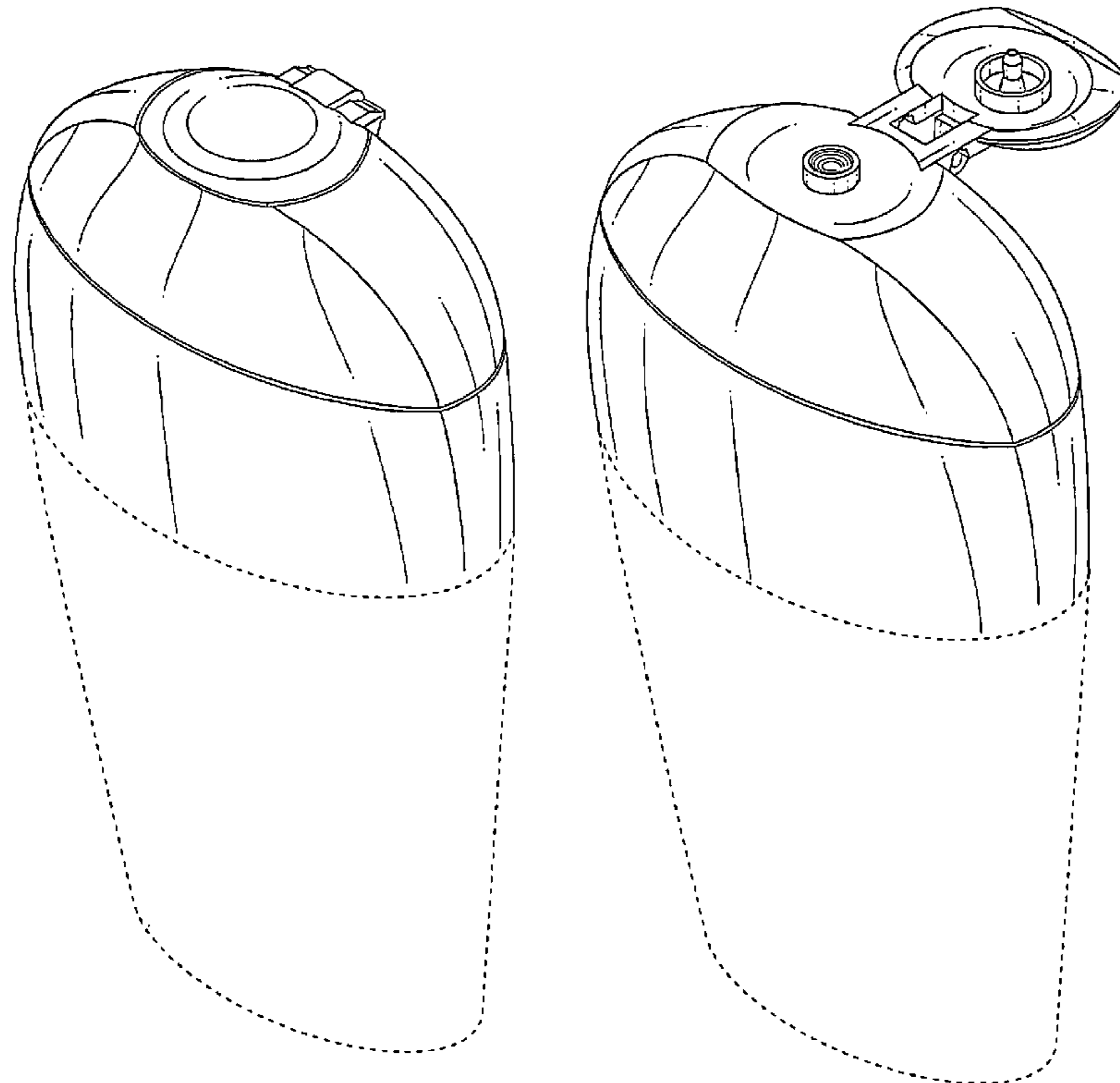


Fig. 2

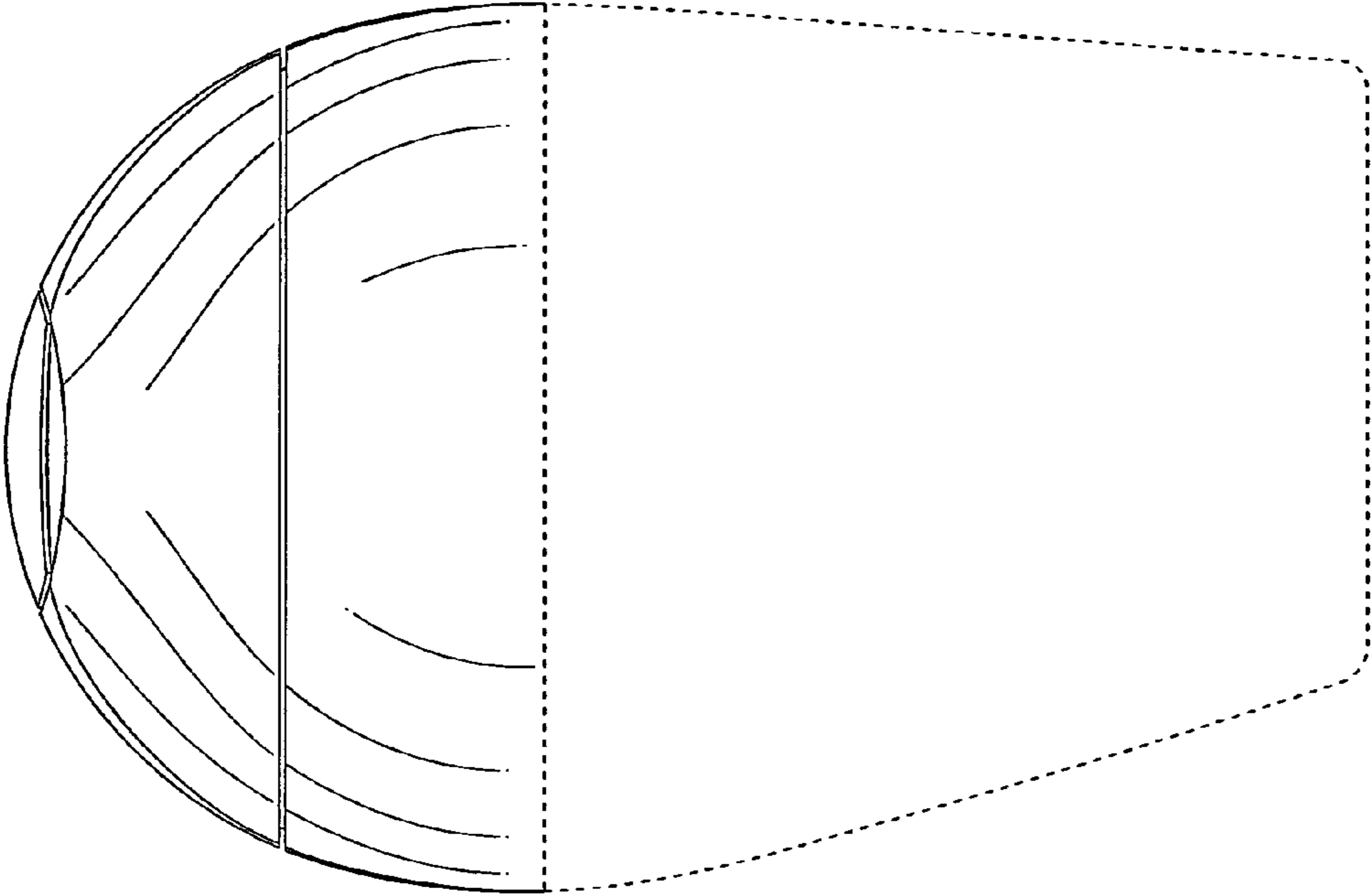


Fig. 1

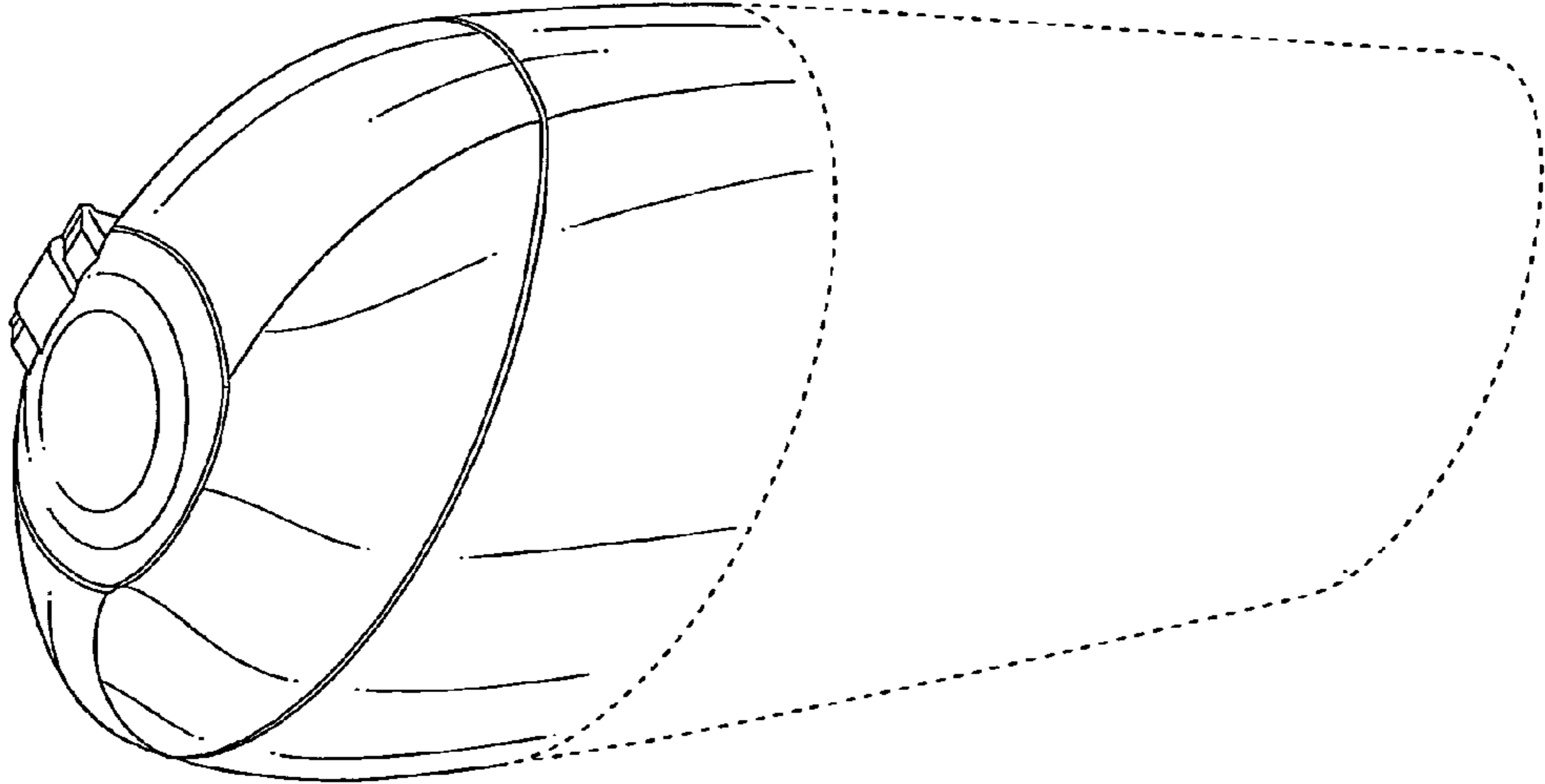


Fig. 5

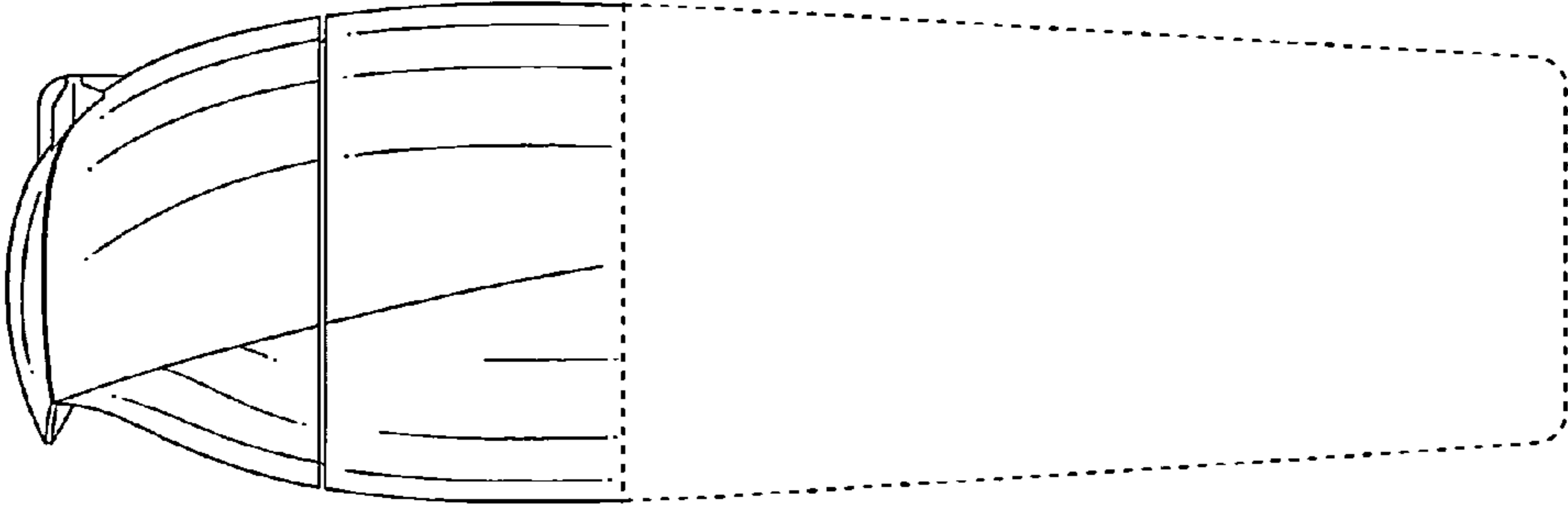


Fig. 4

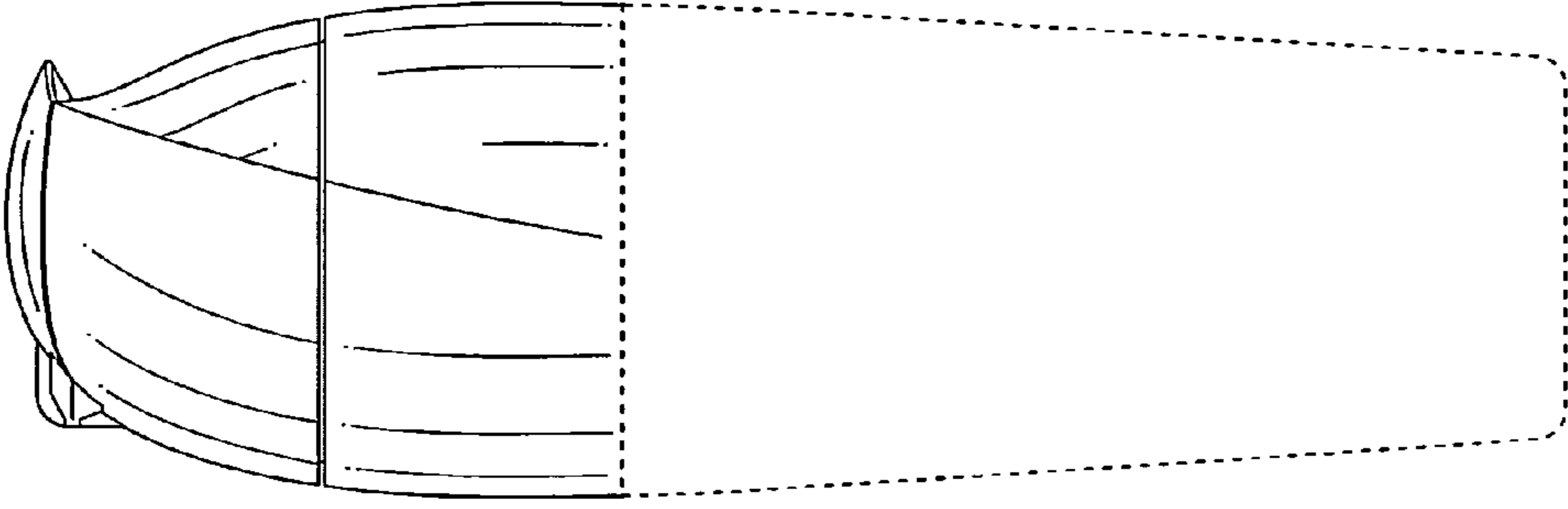


Fig. 3

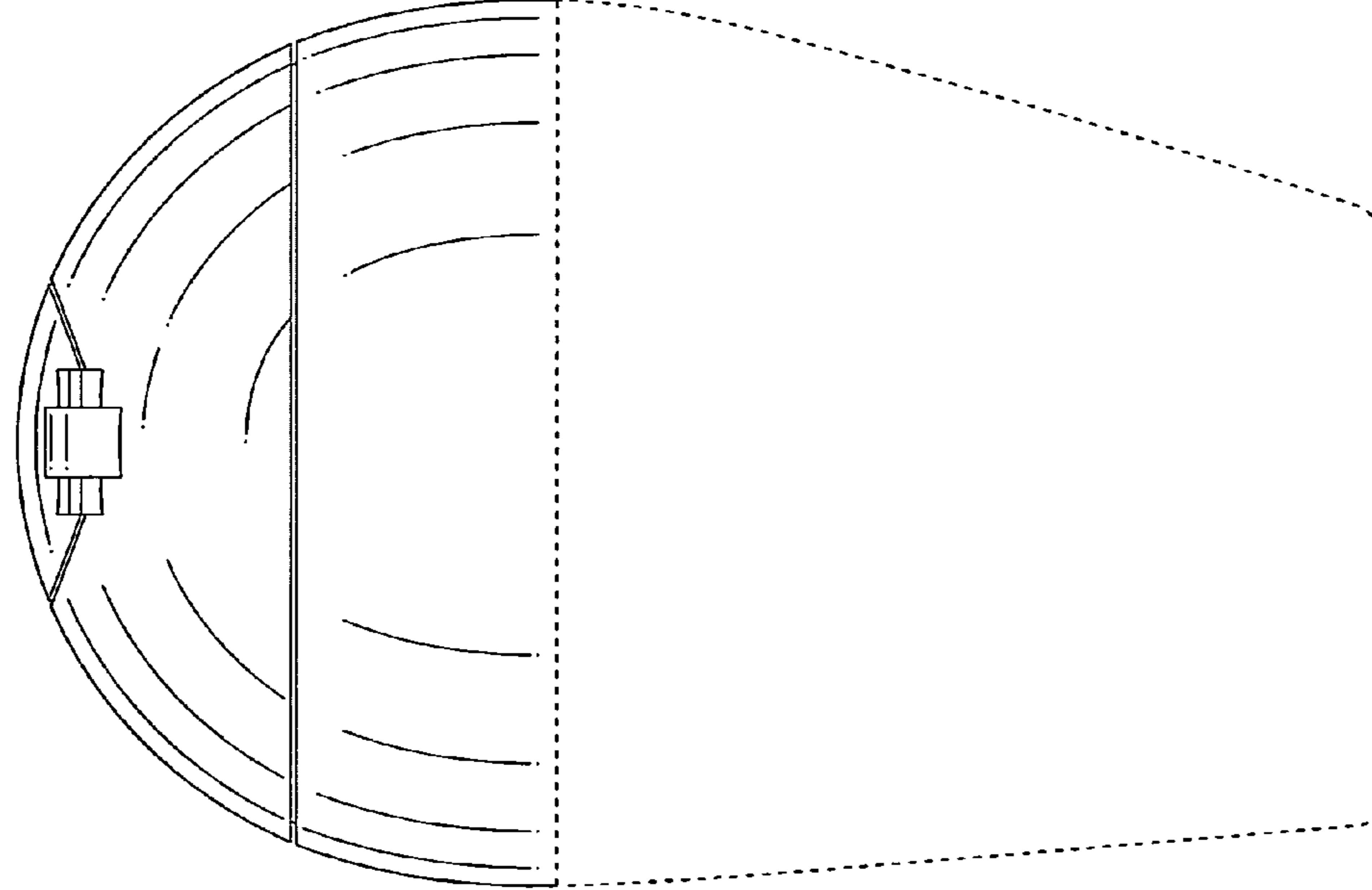


Fig. 8

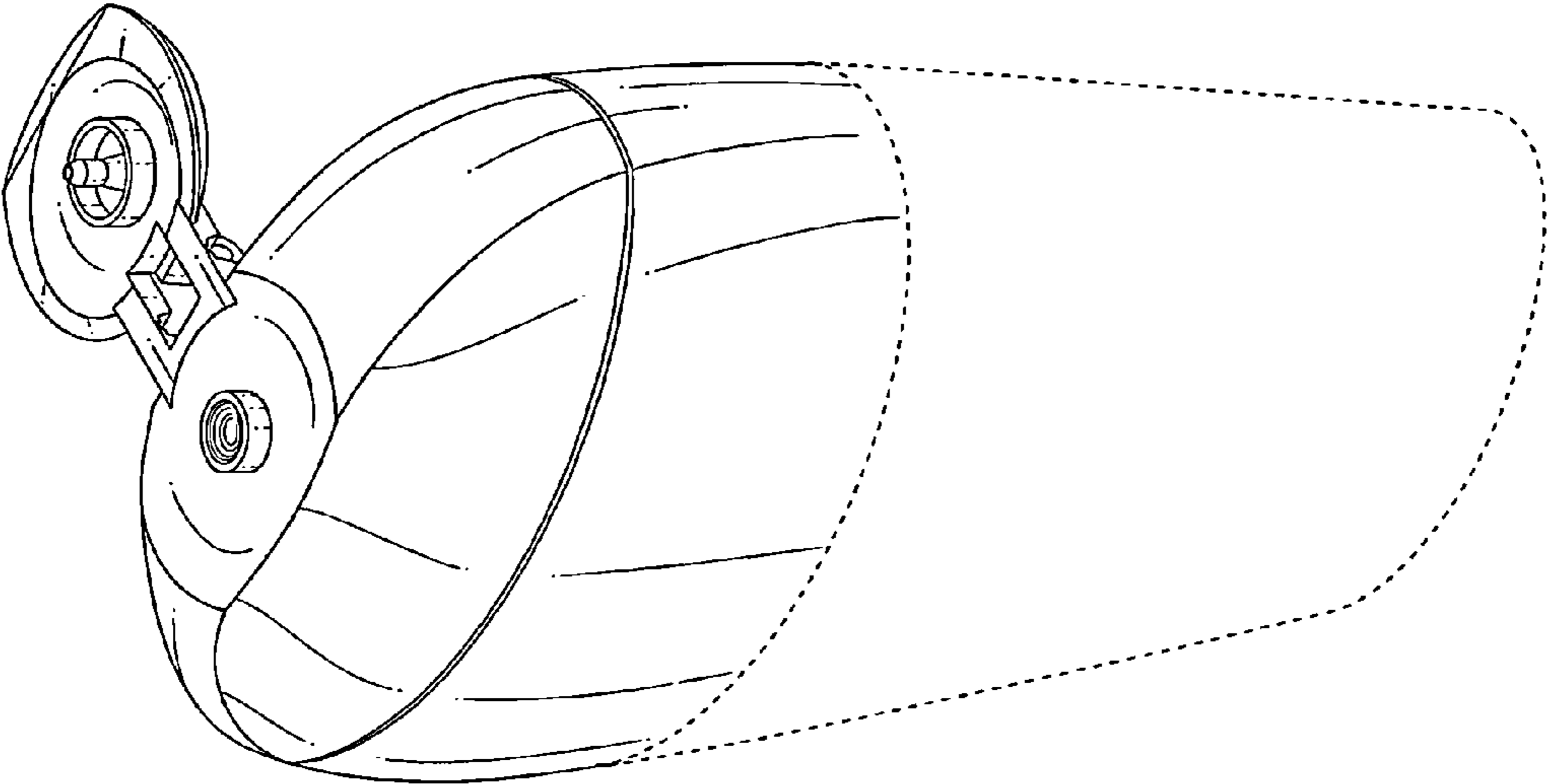


Fig. 6

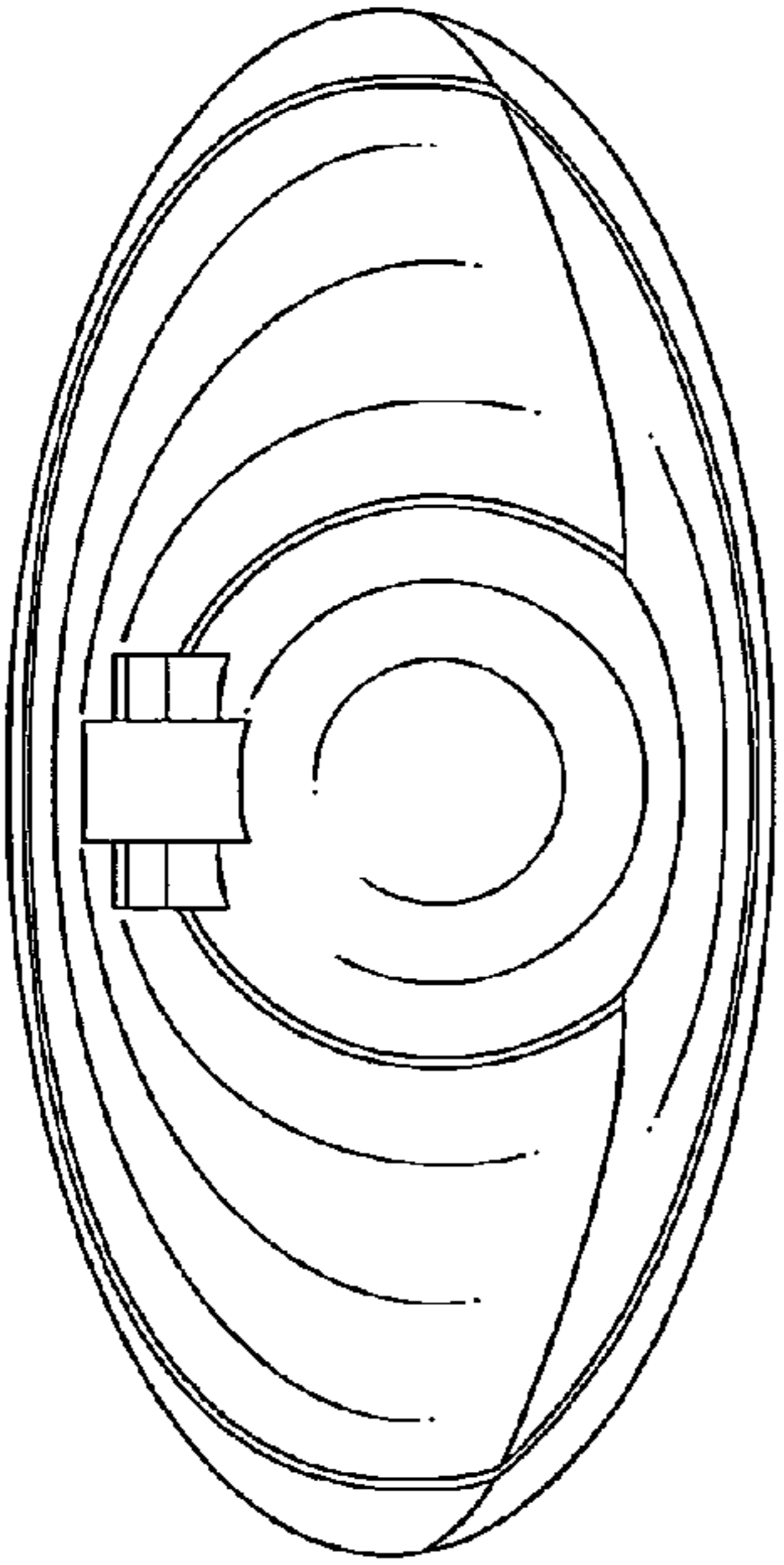


Fig. 7

