



US00D693687S

(12) **United States Design Patent**
Karay

(10) **Patent No.:** **US D693,687 S**

(45) **Date of Patent:** **** Nov. 19, 2013**

(54) **CONTAINER**

(75) Inventor: **Allison Karay**, Cary, IL (US)

(73) Assignee: **The Quaker Oats Company**, Chicago, IL (US)

(**) Term: **14 Years**

(21) Appl. No.: **29/415,780**

(22) Filed: **Mar. 14, 2012**

(51) **LOC (9) Cl.** **09-01**

(52) **U.S. Cl.**
USPC **D9/503; D7/540; D7/629; D7/630; D9/428**

(58) **Field of Classification Search**
USPC **D9/428, 500, 502-503, 505, 516, 549, D9/558, 454; D7/602, 630, 509, 523, 536, D7/540, 584, 603, 629, 400; D11/152-153; D26/6, 9-10, 22; 215/379, 382; 220/660, 669-673, 675**
See application file for complete search history.

(56) **References Cited**

U.S. PATENT DOCUMENTS

797,314 A	8/1905	Owens	
3,051,303 A *	8/1962	Daanen et al.	206/776
3,307,602 A *	3/1967	Boster	220/254.7
D248,006 S *	5/1978	Christian	D7/584
D254,831 S *	4/1980	Smith	D7/540
D285,656 S	9/1986	Champion	
4,794,008 A	12/1988	Schmidt et al.	
D307,544 S	5/1990	Conner et al.	
D309,690 S	8/1990	Carlson	
D334,113 S	3/1993	Lewis et al.	
D382,512 S *	8/1997	Hulsebus	D11/152
D399,454 S *	10/1998	Durbin	D11/152
D412,811 S	8/1999	Rotta	

D455,652 S	4/2002	Wyslotsky et al.	
D476,861 S	7/2003	Zettle et al.	
D478,475 S *	8/2003	Backes et al.	D7/545
D482,240 S	11/2003	Sohoo et al.	
D489,004 S	4/2004	Parman	
D548,587 S	8/2007	DuVal et al.	
D556,568 S	12/2007	DuVal	
D610,873 S	3/2010	Wingfield et al.	
D610,875 S	3/2010	Wingfield et al.	
D642,454 S *	8/2011	Santoiemmo	D9/428
D643,284 S	8/2011	Zomorodi et al.	
D643,285 S	8/2011	Zomorodi et al.	
D643,286 S	8/2011	Zomorodi et al.	
D645,748 S	9/2011	Sharma et al.	
D676,284 S *	2/2013	Pallotto	D7/629
D677,162 S *	3/2013	Sharma et al.	D9/454

* cited by examiner

Primary Examiner — Ian Simmons

Assistant Examiner — Dana L Meyrow

(74) *Attorney, Agent, or Firm* — James R. Gourley; Colin P. Cahoon; Carstens & Cahoon, LLP

(57) **CLAIM**

The ornamental design for a container, as shown and described.

DESCRIPTION

FIG. 1 is a top perspective view of a container showing my new design;
FIG. 2 is a front view thereof;
FIG. 3 is a rear view thereof;
FIG. 4 is a right side view thereof;
FIG. 5 is a left side view thereof;
FIG. 6 is a top view thereof;
FIG. 7 is a bottom view thereof; and,
FIG. 8 is a bottom perspective view thereof.

1 Claim, 8 Drawing Sheets

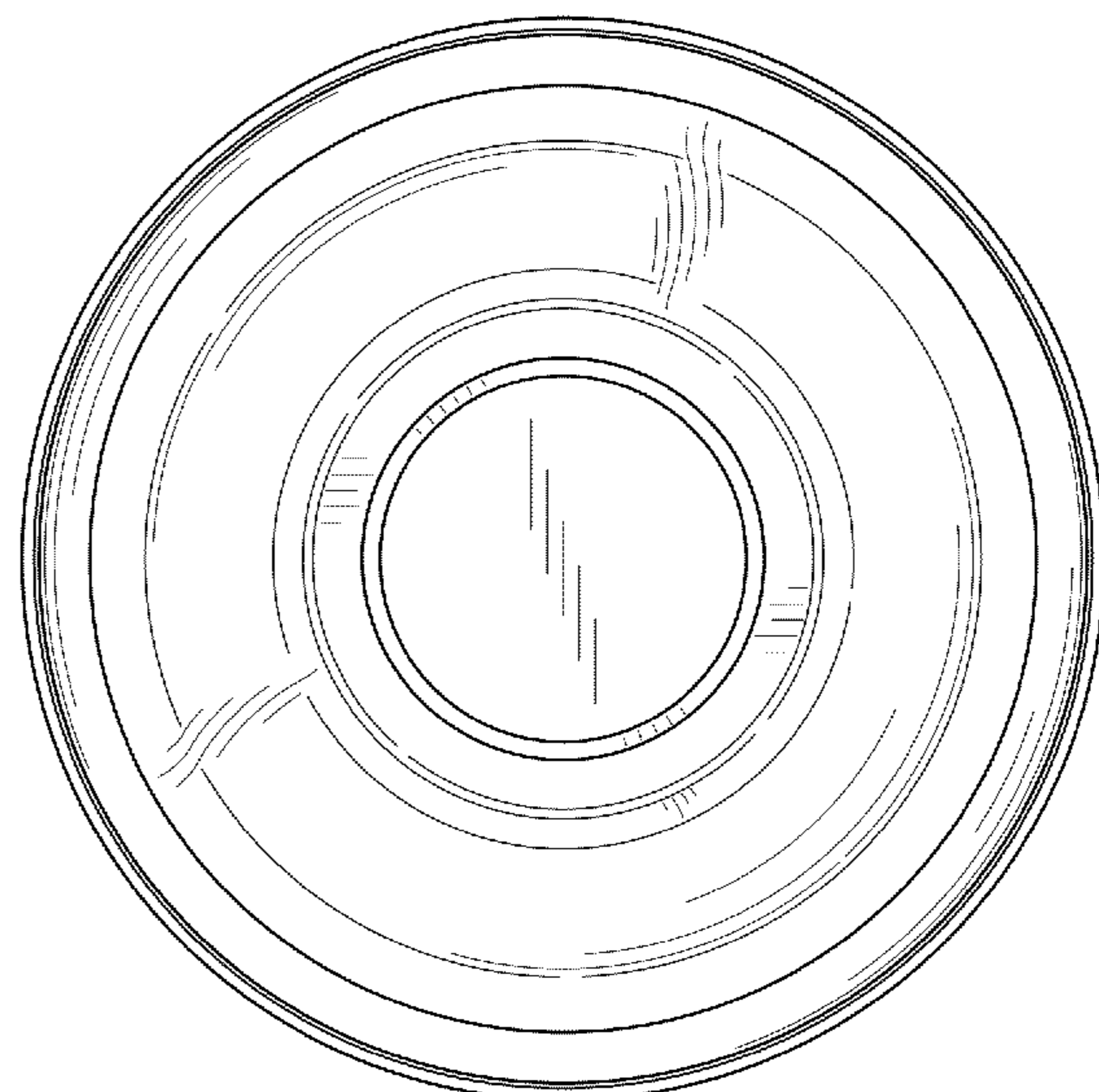
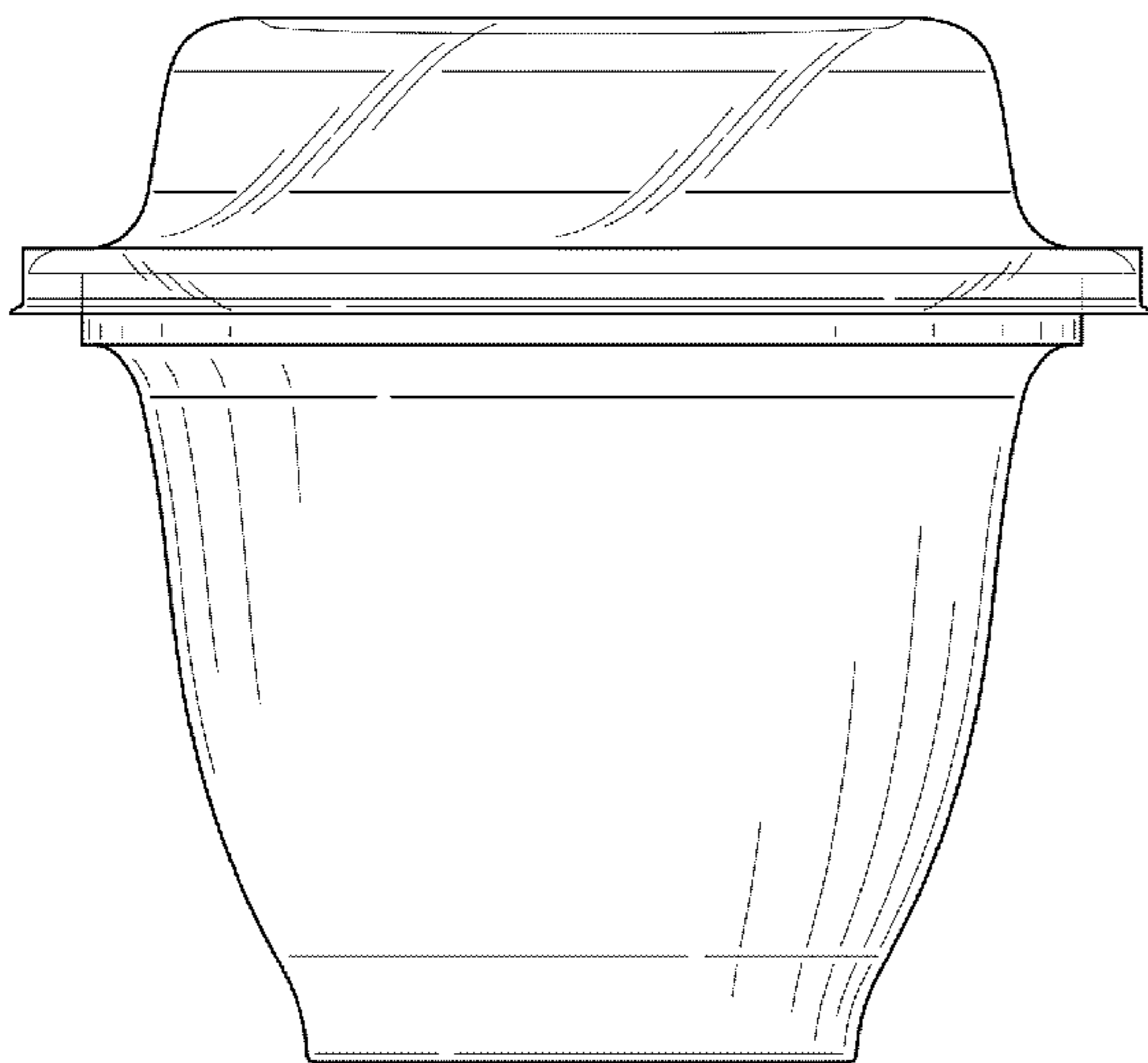




FIG. 1

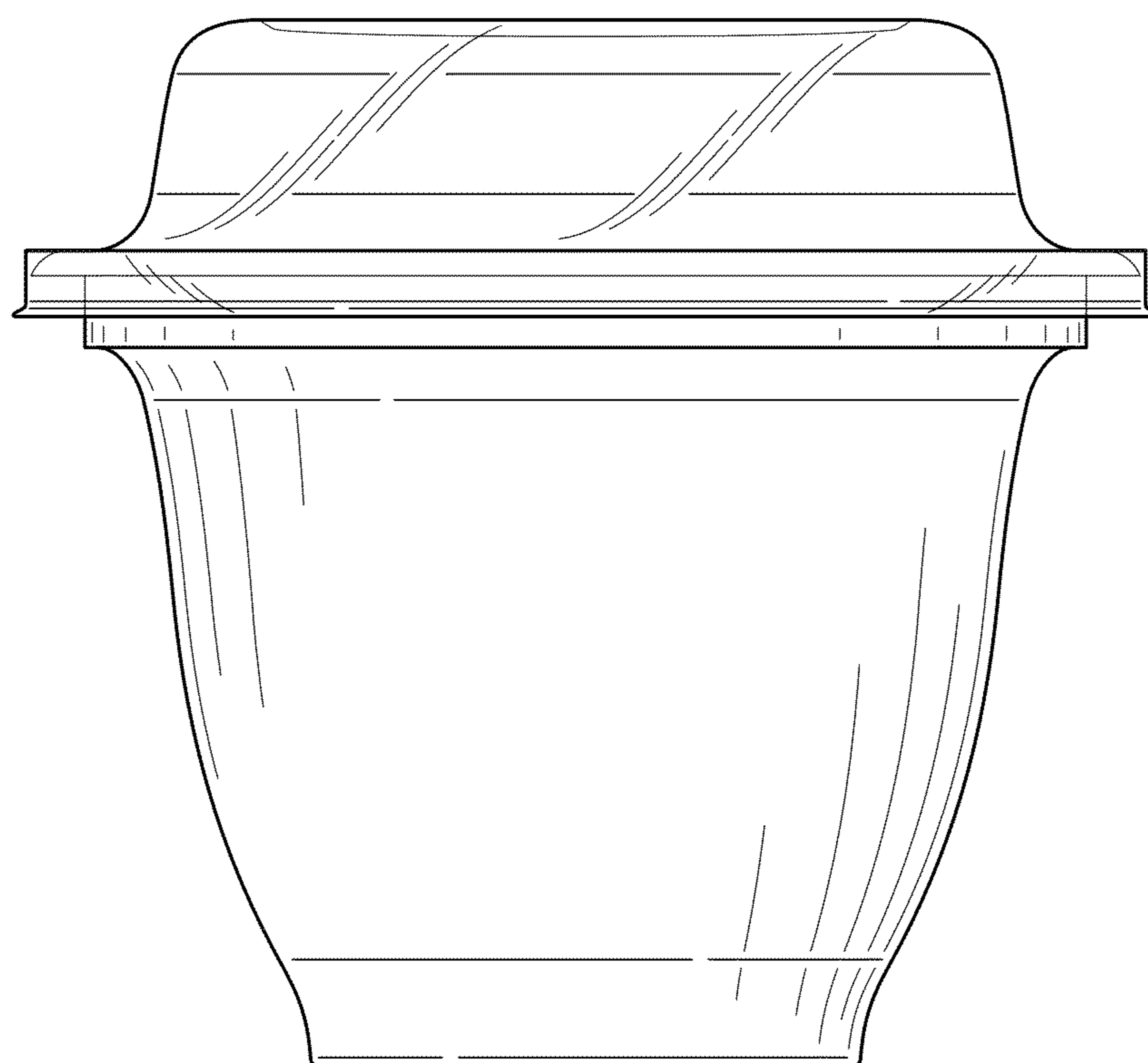


FIG. 2

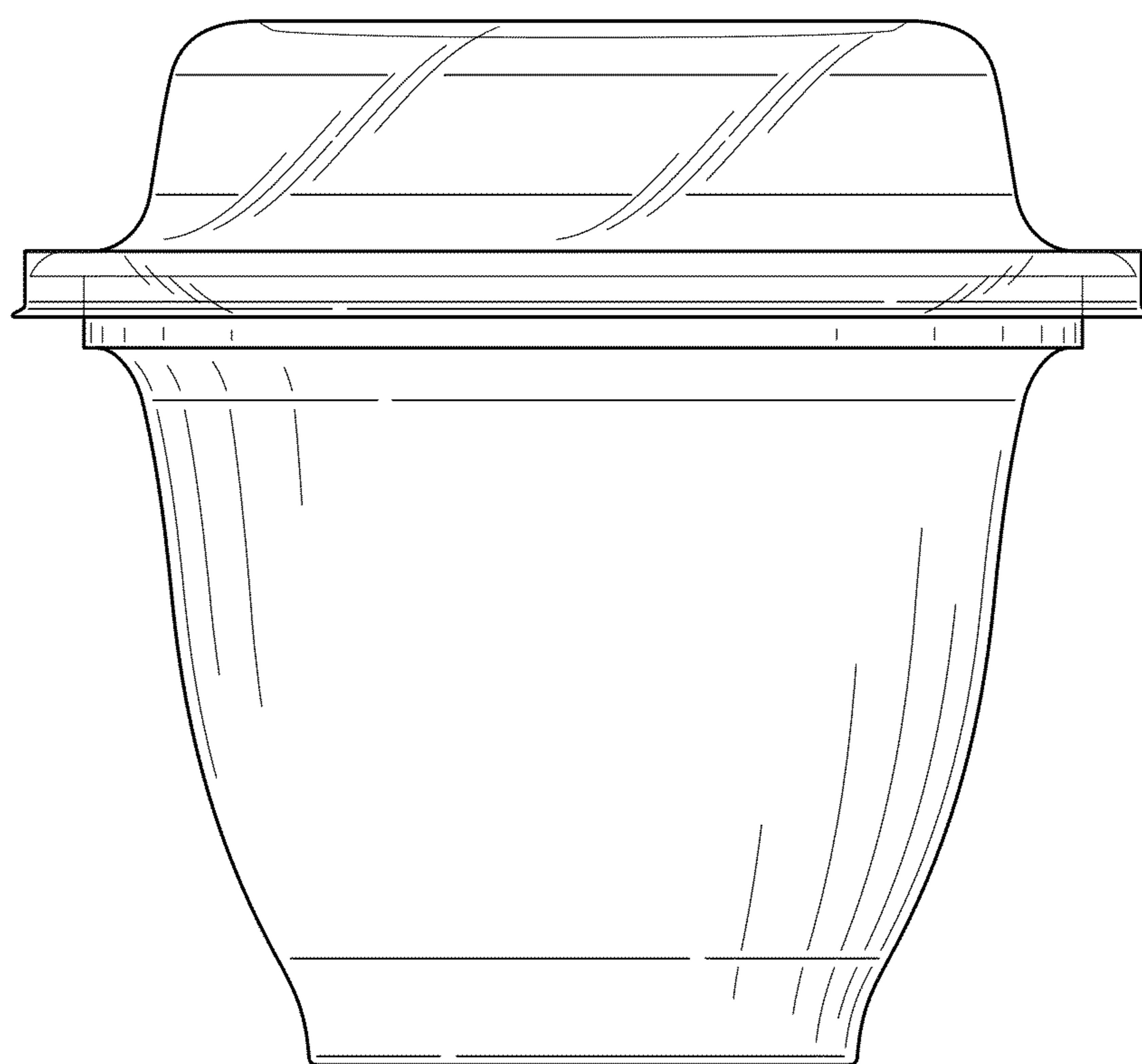


FIG. 3

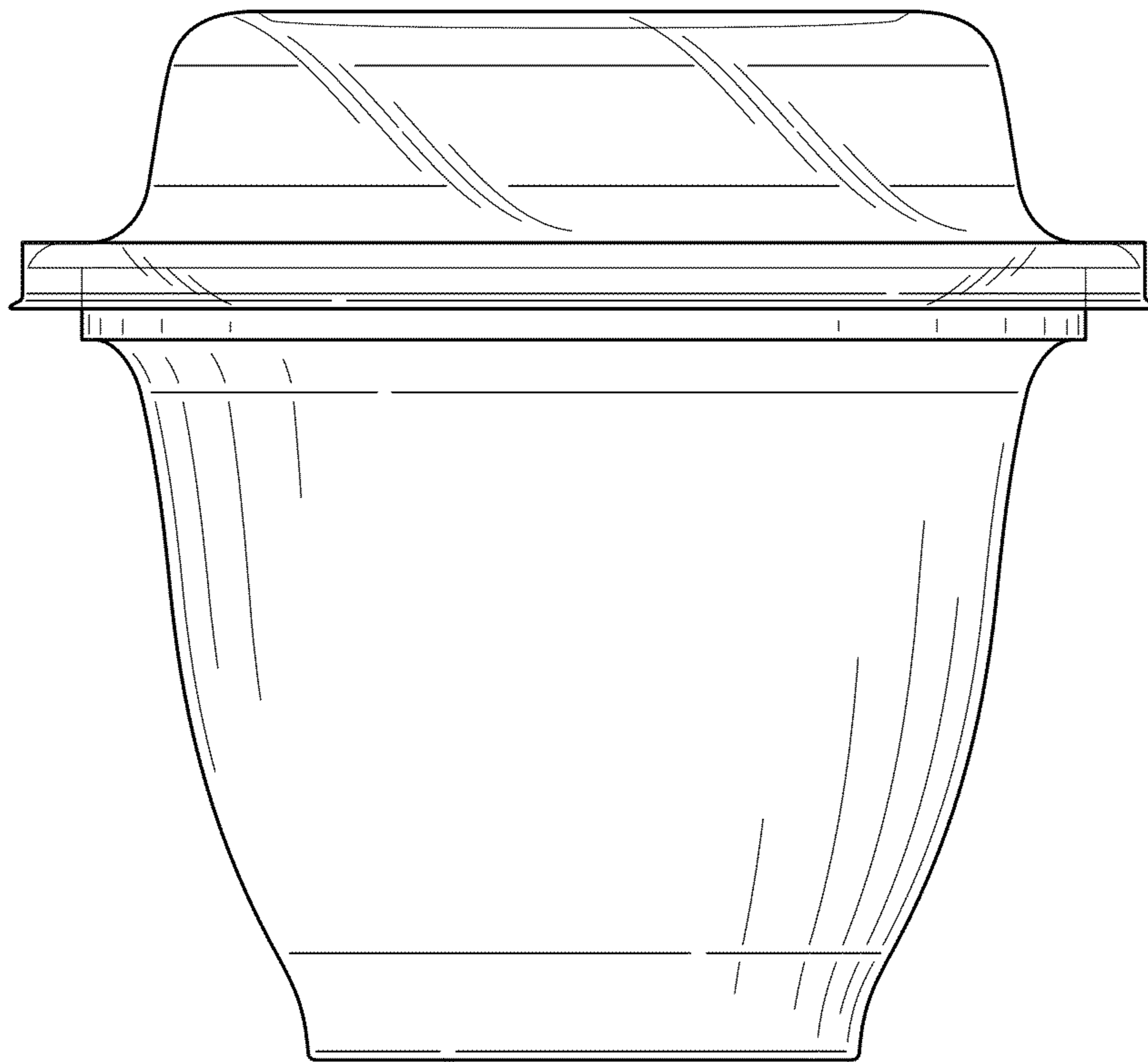


FIG. 4

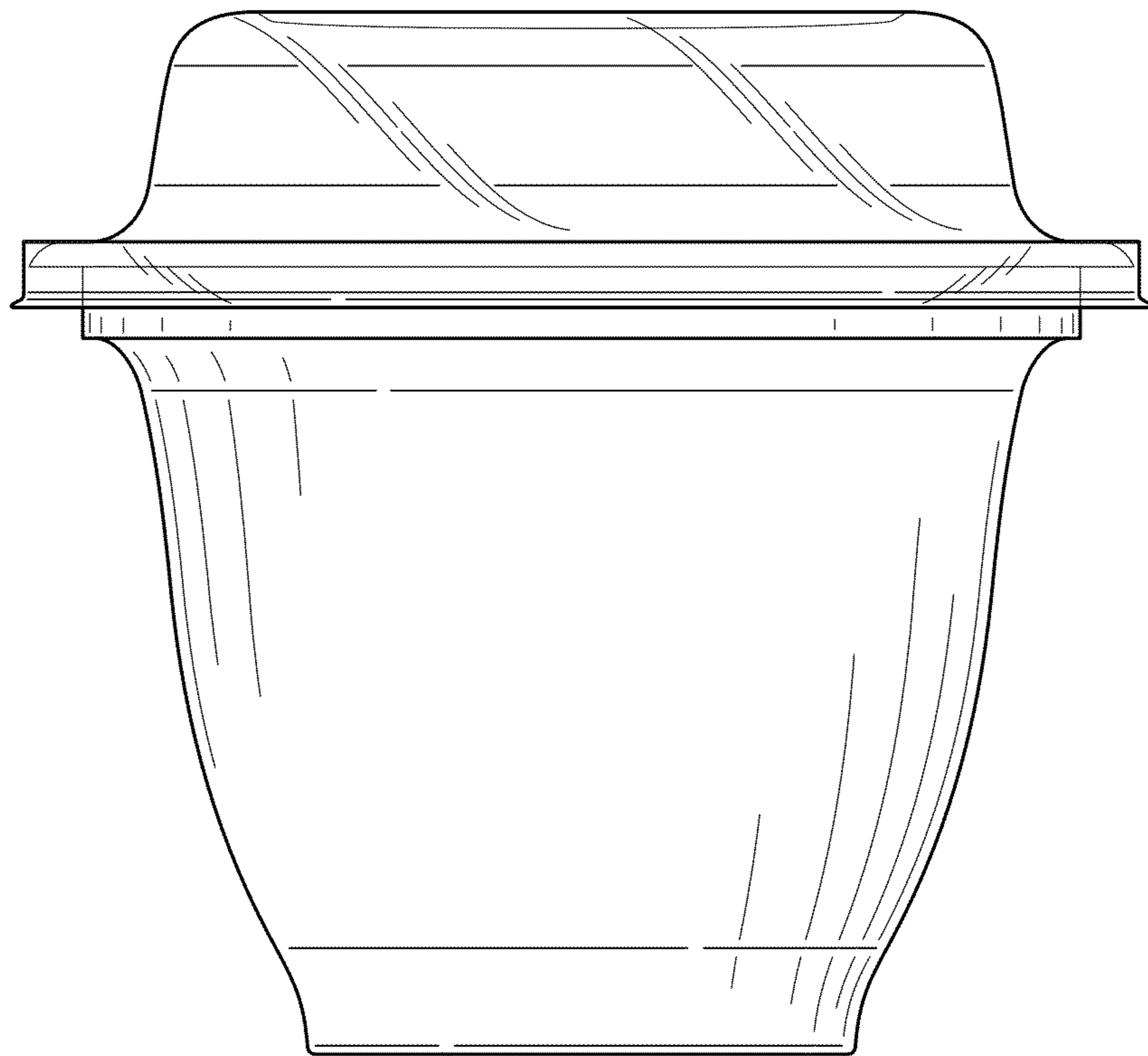


FIG. 5

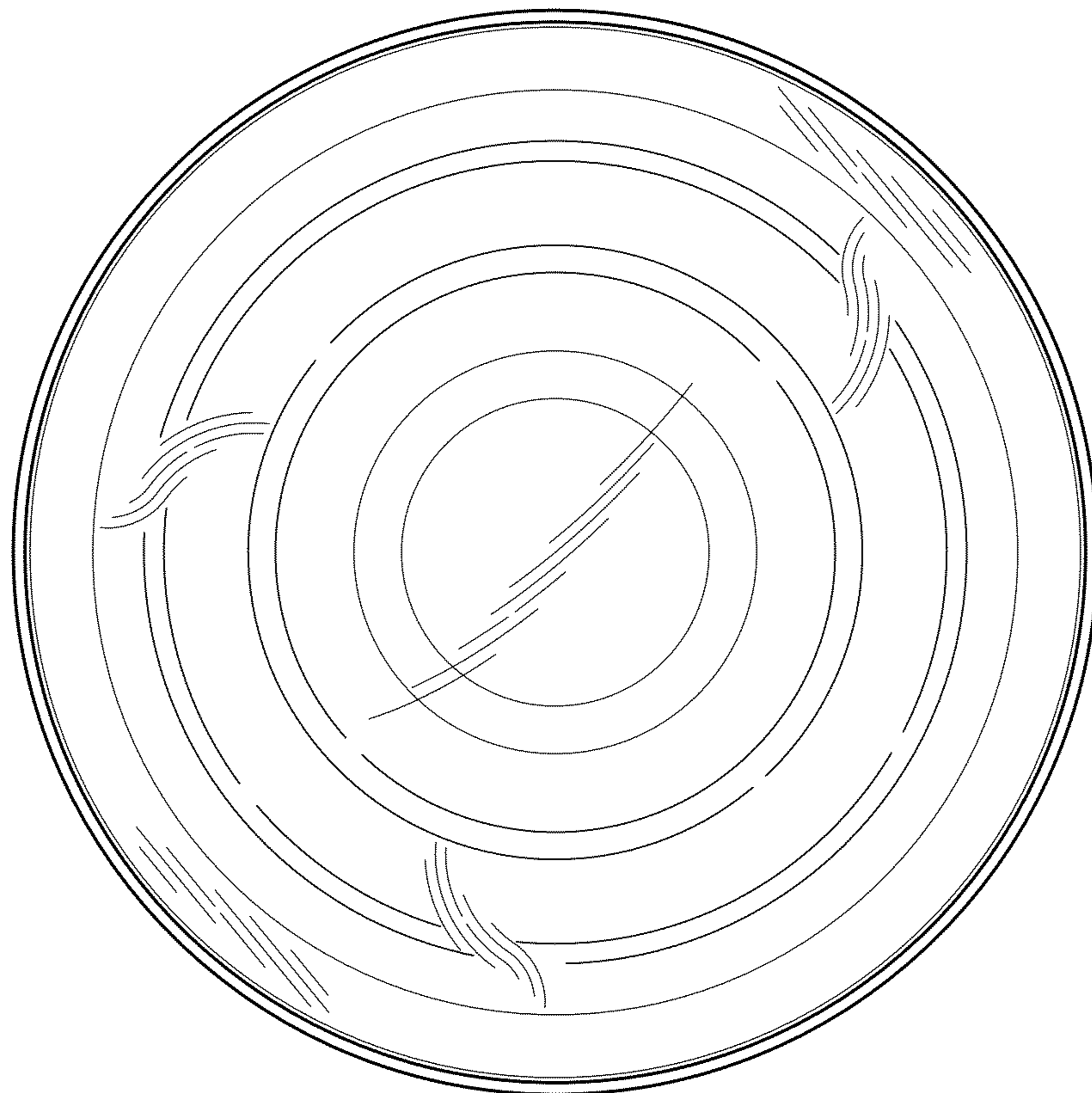


FIG. 6

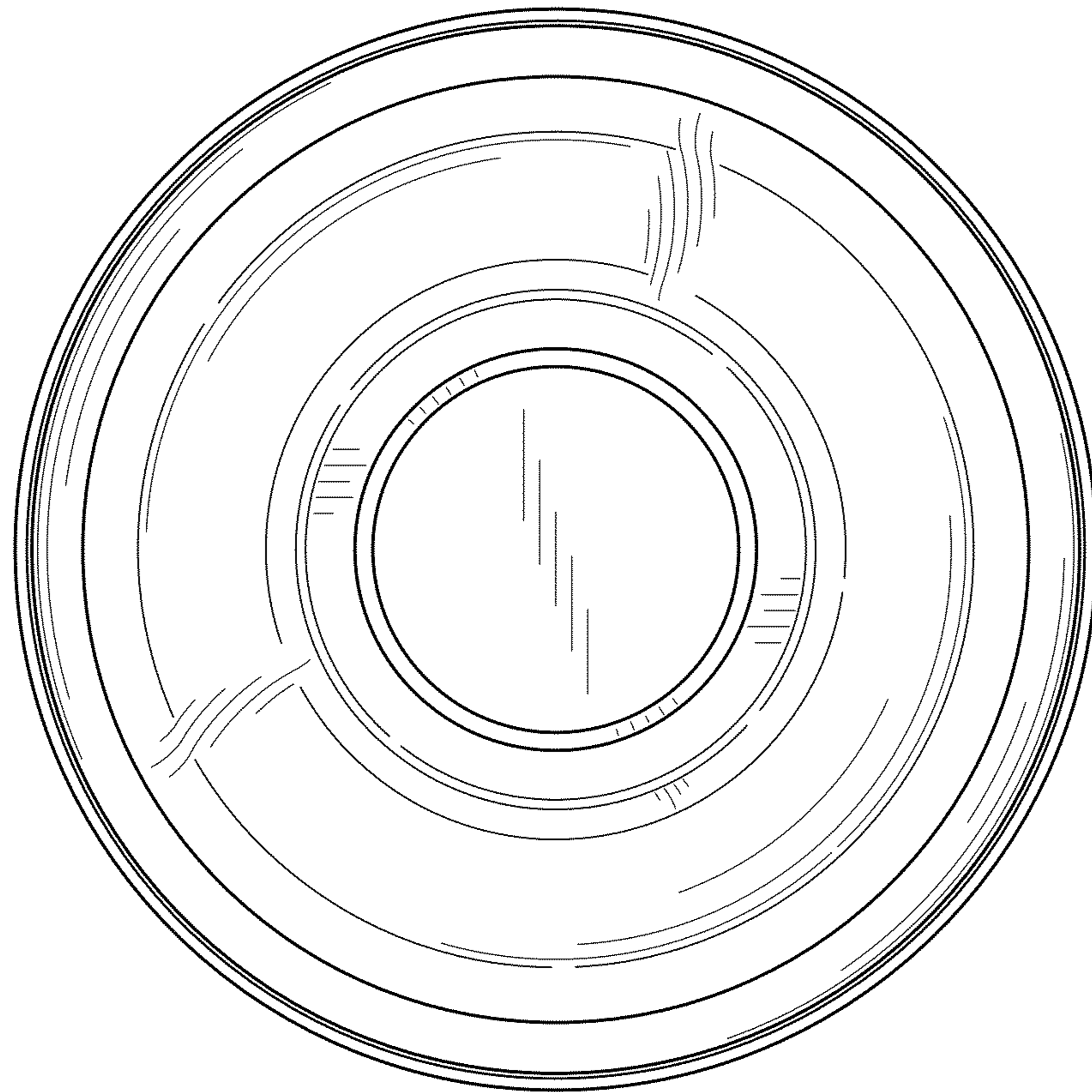


FIG. 7

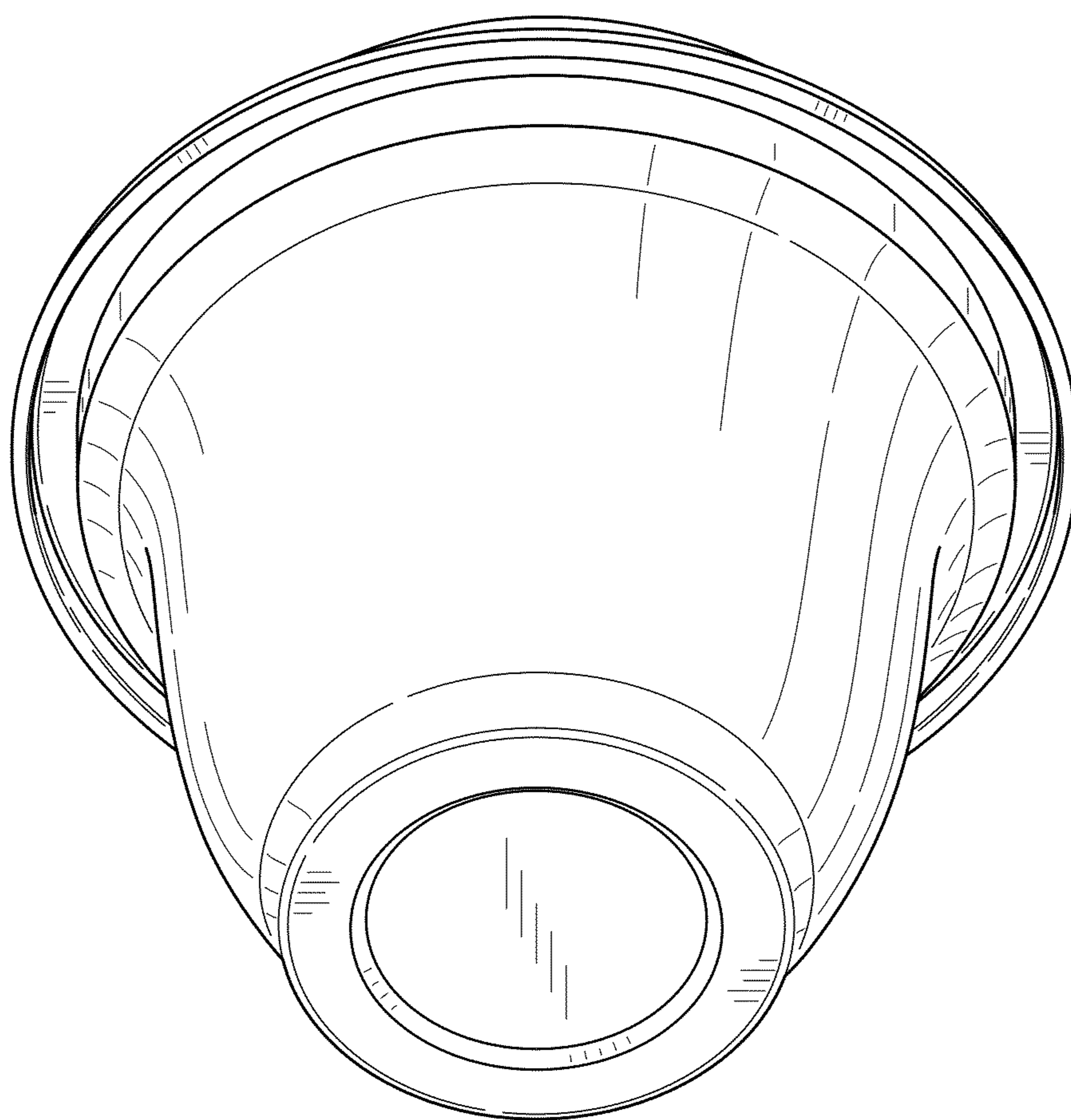


FIG. 8