



US00D693683S

(12) **United States Design Patent**
Ramsey et al.

(10) **Patent No.:** **US D693,683 S**

(45) **Date of Patent:** **** Nov. 19, 2013**

(54) **CLOSURE**

(71) Applicant: **Crown Packaging Technology, Inc.**,
Alsip, IL (US)

(72) Inventors: **Christopher Paul Ramsey**, Oxon (GB);
Laura Vaughan, Eglinton (GB)

(73) Assignee: **Crown Packaging Technology, Inc.**,
Alsip, IL (US)

(**) Term: **14 Years**

(21) Appl. No.: **29/439,342**

(22) Filed: **Dec. 10, 2012**

(30) **Foreign Application Priority Data**

Jun. 8, 2012 (EM) 002054650

(51) **LOC (9) Cl.** **09-07**

(52) **U.S. Cl.**
USPC **D9/453**

(58) **Field of Classification Search**
USPC D9/455, 454, 453, 444, 440, 435, 434;
D7/396.2; D30/152; D2/627; D11/218,
D11/216, 215; 40/310; 222/490; 220/903,
220/739, 200; 215/200

See application file for complete search history.

(56) **References Cited**

U.S. PATENT DOCUMENTS

D99,097 S *	3/1936	Perry	D9/453
D100,515 S *	7/1936	Fleisch	D9/453
D100,989 S *	8/1936	Crowther	D9/453
D101,623 S *	10/1936	Fleisch	D9/453
D279,803 S *	7/1985	Manning	D21/443
D443,513 S *	6/2001	Goettner	D9/452
D518,717 S *	4/2006	German	D9/453
D534,802 S *	1/2007	German	D9/453
D542,656 S *	5/2007	Szczesniak	D9/453
D606,401 S *	12/2009	Kamath et al.	D9/453
D613,162 S *	4/2010	Druitt	D9/453

* cited by examiner

Primary Examiner — Susan Bennett Hattan

(74) *Attorney, Agent, or Firm* — The Patentwise Group, LLC

(57) **CLAIM**

The ornamental design for a “closure,” as shown and described.

DESCRIPTION

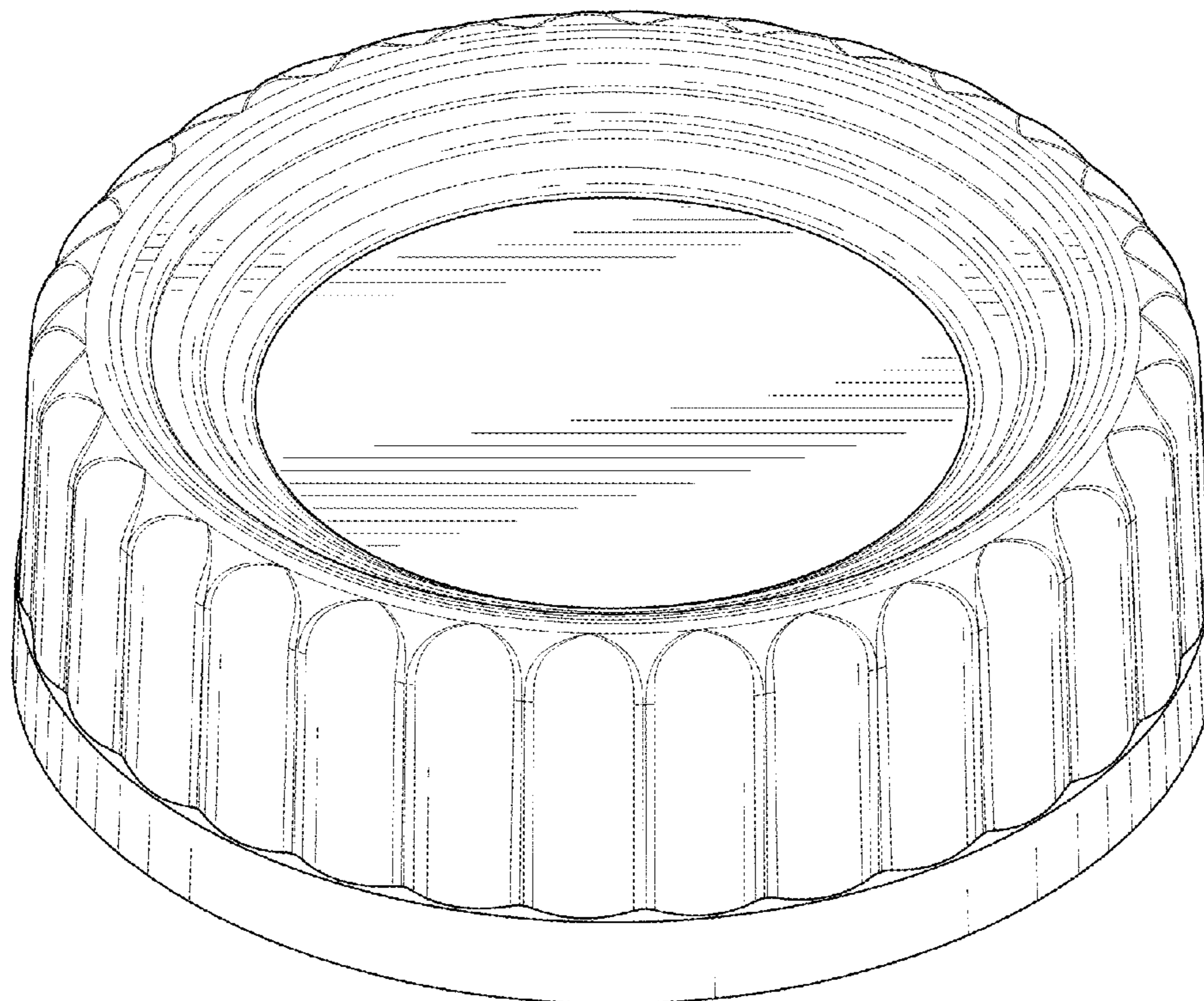
FIG. 1 is a top perspective view showing our new design, with a top perspective view taken from an opposing side having the same appearance;

FIG. 2 is a bottom perspective view; and,

FIG. 3 is a top plan view.

Any broken lines in the drawings depict probable environment only and form no part of the claimed design.

1 Claim, 3 Drawing Sheets



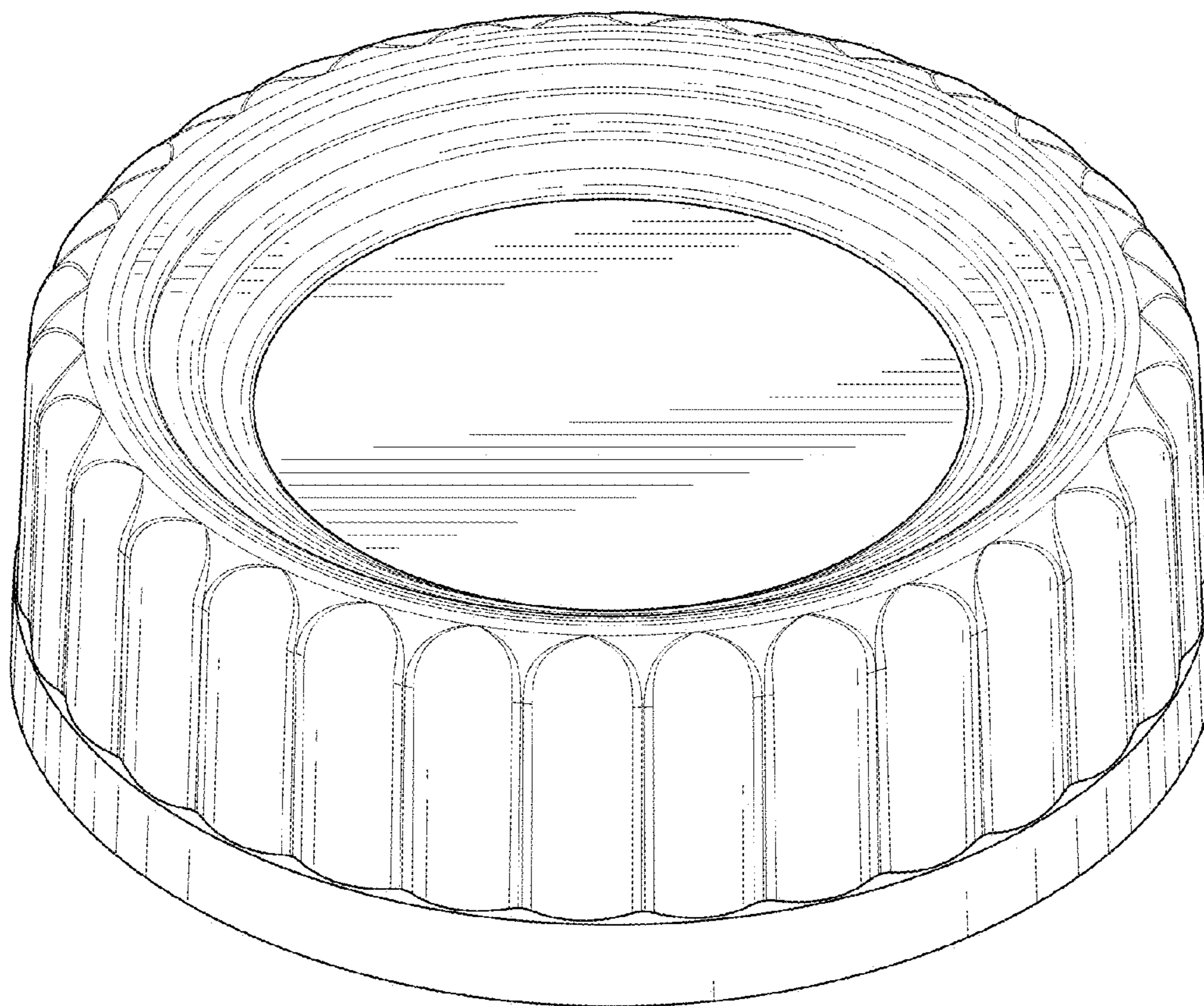


FIG. 1

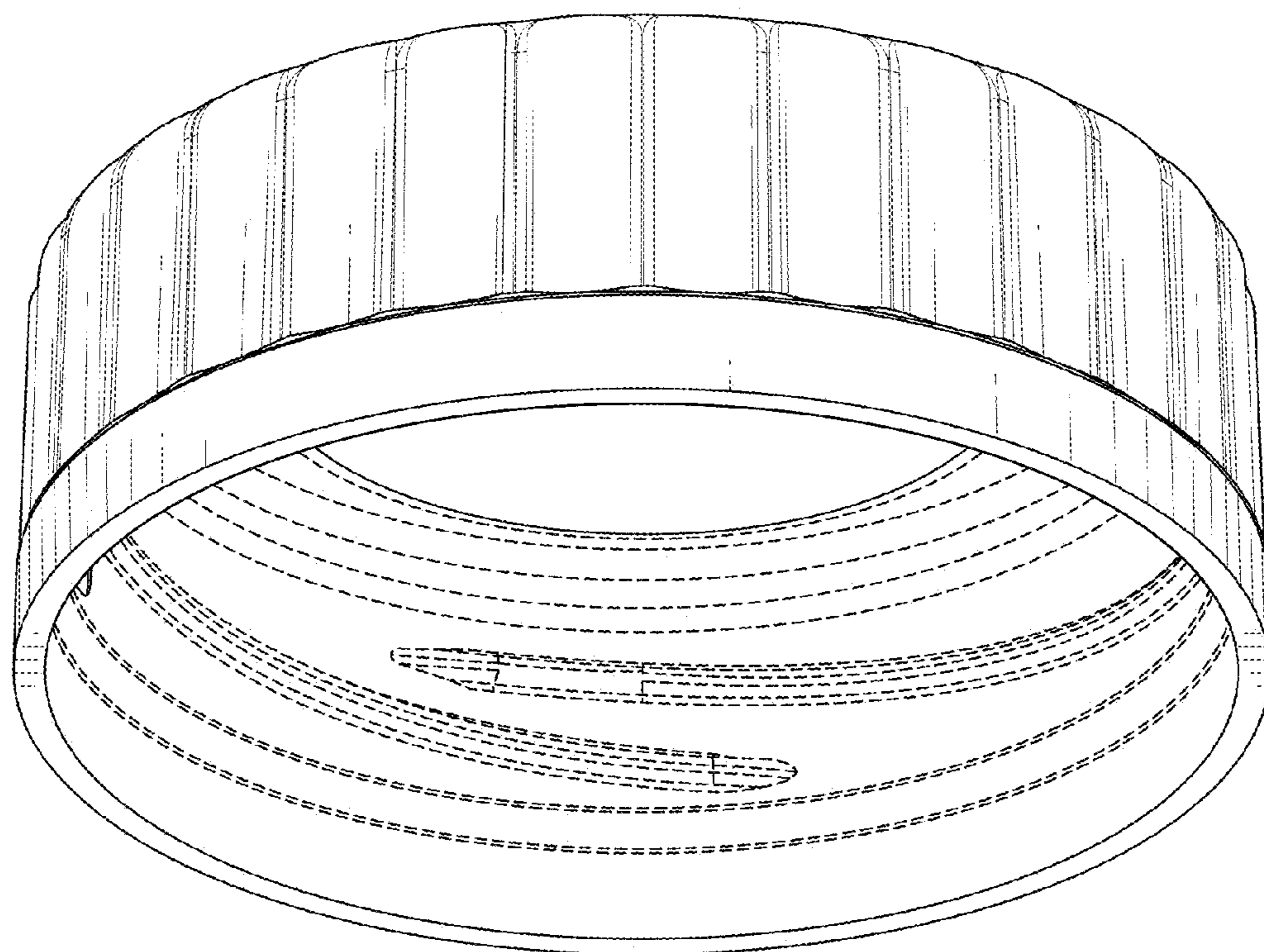


FIG. 2

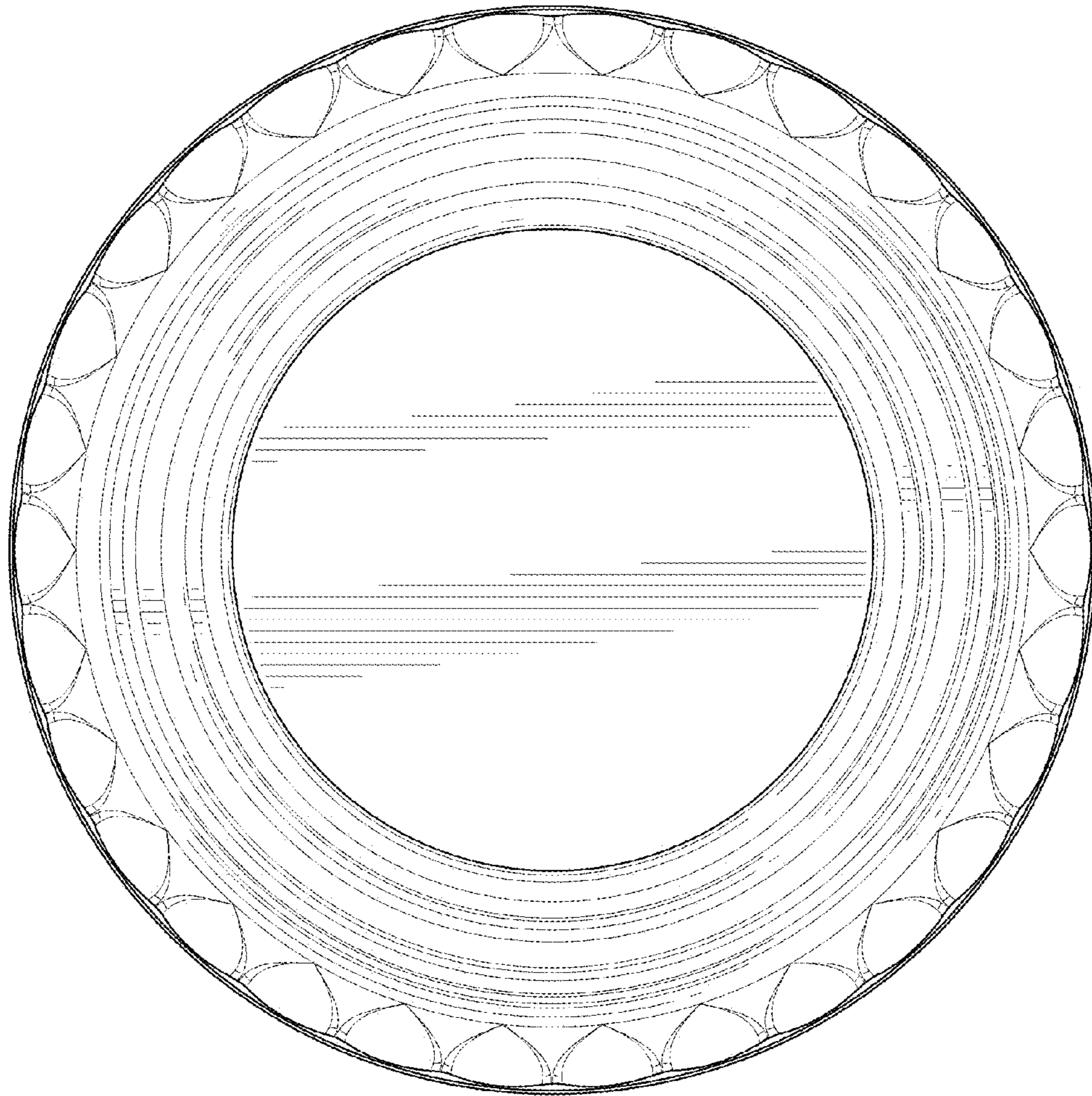


FIG. 3