

US00D693682S

(12) **United States Design Patent**
Bahri et al.

(10) **Patent No.:** **US D693,682 S**
(45) **Date of Patent:** **** Nov. 19, 2013**

(54) **TWO PIECE CAP FOR PHARMACEUTICAL
FLUID DISPENSING CONTAINER**

(56) **References Cited**

U.S. PATENT DOCUMENTS

(75) Inventors: **Deepak Bahri**, Gurgaon (IN); **Dilip Chaturvedi**, Gurgaon (IN); **Anupam Chanda**, Gurgaon (IN)

| | | | |
|--------------|---------|-----------------------|--------|
| D145,661 S * | 10/1946 | Derham | D9/453 |
| D175,095 S * | 7/1955 | Clair | D9/453 |
| D244,509 S * | 5/1977 | Jones et al. | D9/556 |
| D280,492 S * | 9/1985 | Greaves et al. | D9/453 |
| D284,555 S * | 7/1986 | Schornagel | D9/453 |
| D336,430 S * | 6/1993 | Maguire et al. | D9/448 |
| D338,159 S * | 8/1993 | Densky et al. | D9/724 |
| D470,052 S * | 2/2003 | Klutts | D9/447 |
| D490,315 S * | 5/2004 | Kiser | D9/445 |
| D531,031 S * | 10/2006 | Lussier et al. | D9/447 |
| D546,181 S * | 7/2007 | Biesecker et al. | D9/453 |
| D584,150 S * | 1/2009 | Gibson et al. | D9/453 |

(73) Assignee: **PROMED Research Centre**, Haryana (IN)

(**) Term: **14 Years**

* cited by examiner

(21) Appl. No.: **29/403,442**

Primary Examiner — Susan Bennett Hattan

(22) Filed: **Oct. 6, 2011**

(74) *Attorney, Agent, or Firm* — Sughrue Mion, PLLC

(30) **Foreign Application Priority Data**

(57) **CLAIM**

Apr. 6, 2011 (IN) 235986

The ornamental design for a two piece cap for pharmaceutical fluid dispensing container, as shown and described.

(51) **LOC (9) Cl.** **09-07**

DESCRIPTION

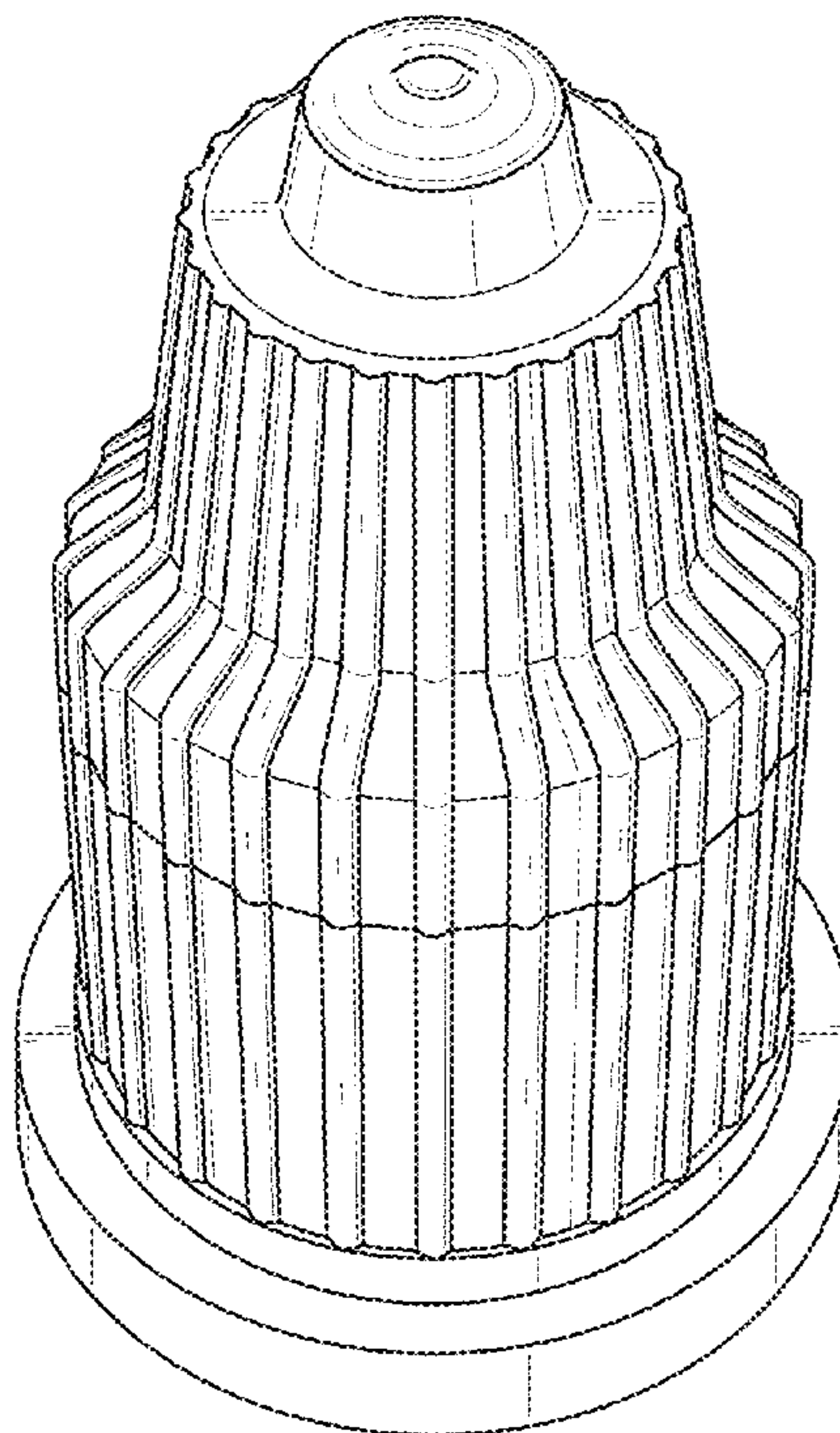
(52) **U.S. Cl.**
USPC **D9/453**

(58) **Field of Classification Search**
USPC D9/455, 454, 453, 444, 440, 435, 434;
D7/396.2; D30/152; D2/627; D11/218,
D11/216, 215; 40/310; 222/490; 220/903,
220/739; D24/119, 127, 172, 100

FIG. 1 is the perspective view of the design;
FIG. 2 is the front left side view of the design thereof;
FIG. 3 is the front right side view of the design thereof;
FIG. 4 is the back left side view of the design thereof;
FIG. 5 is the back right side view of the design thereof;
FIG. 6 is the top view of the design thereof; and,
FIG. 7 is the bottom view of the design thereof.
The broken lines in the drawings depict environmental subject matter only and form no part of the claimed design.

See application file for complete search history.

1 Claim, 6 Drawing Sheets



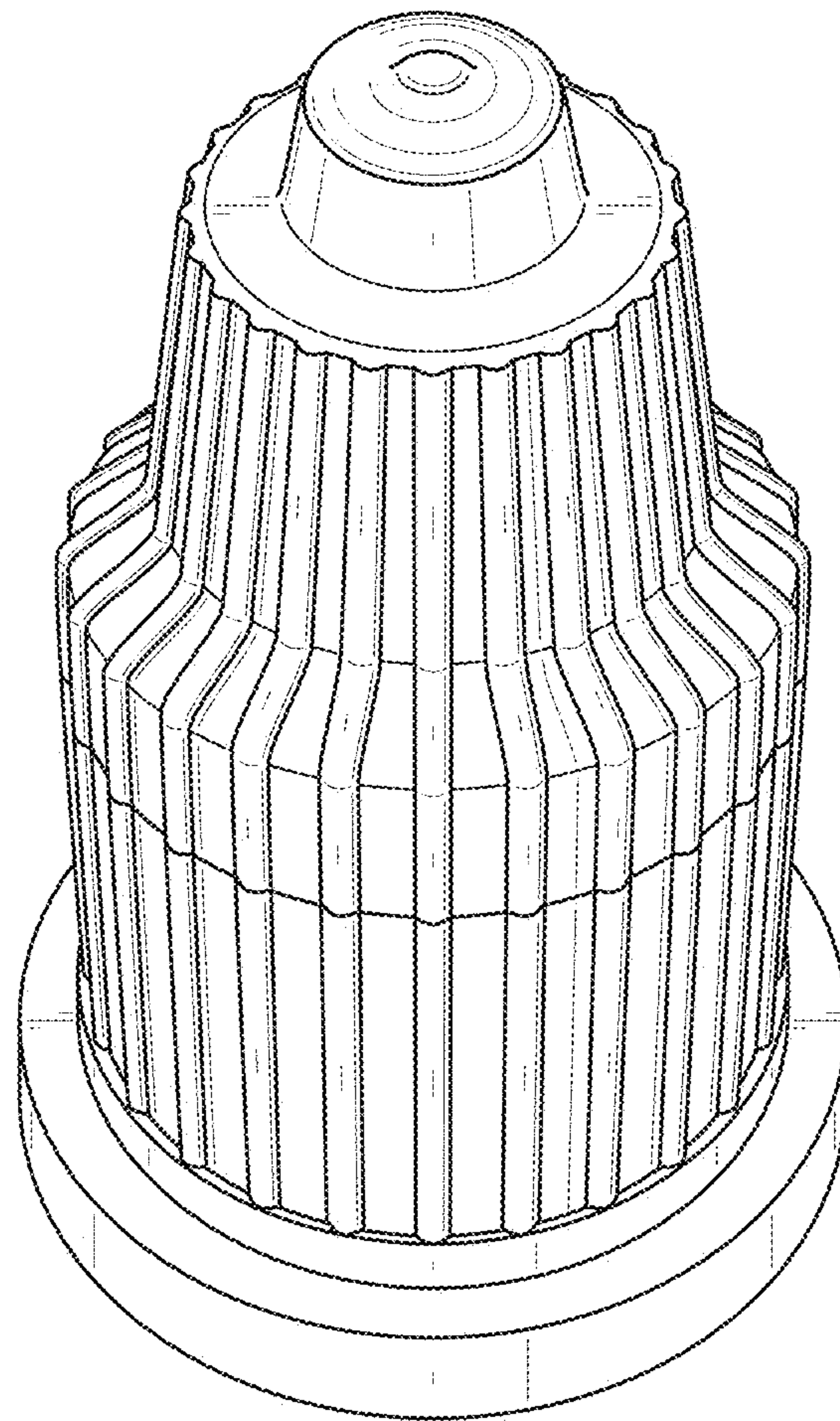


FIG. 1

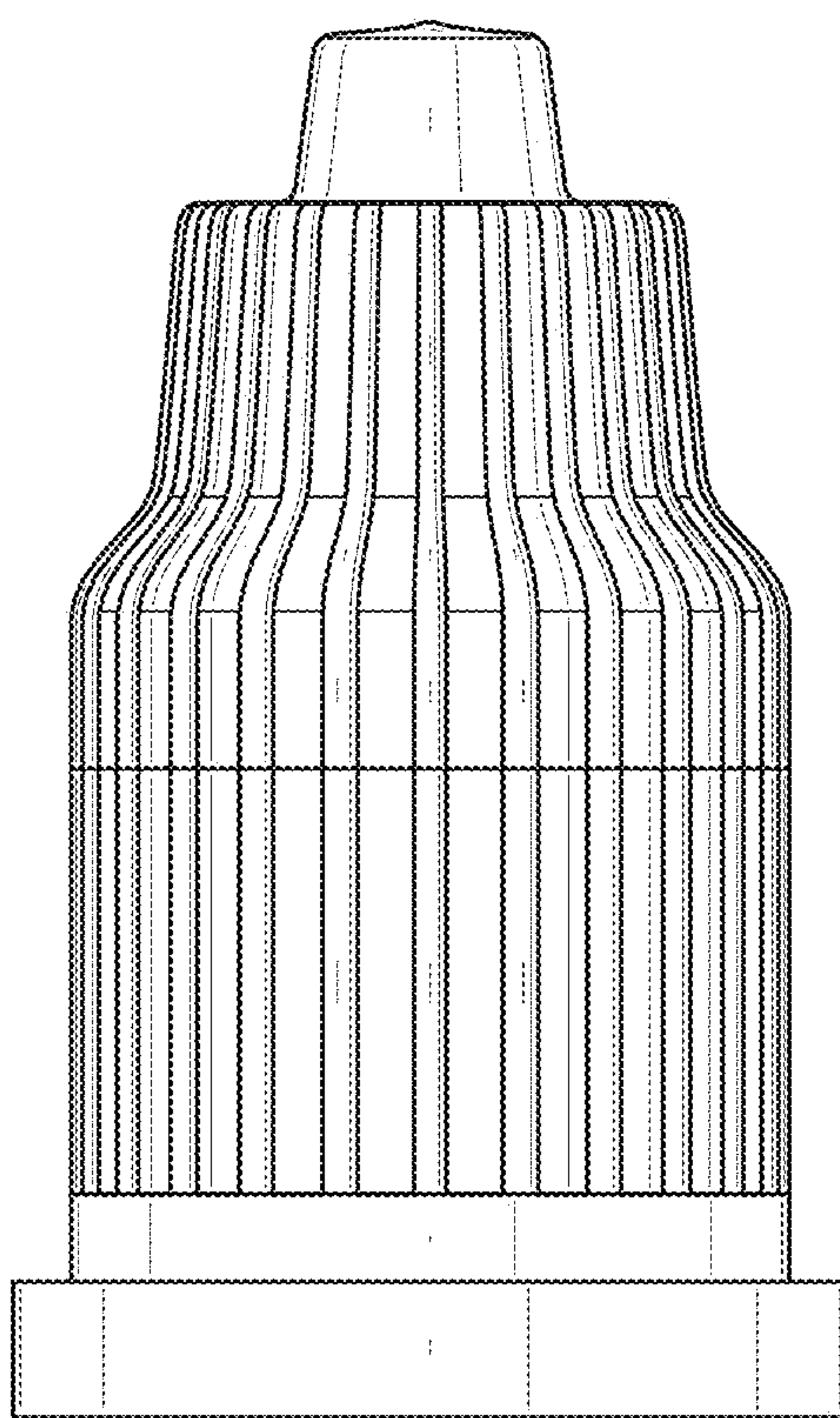


FIG. 2

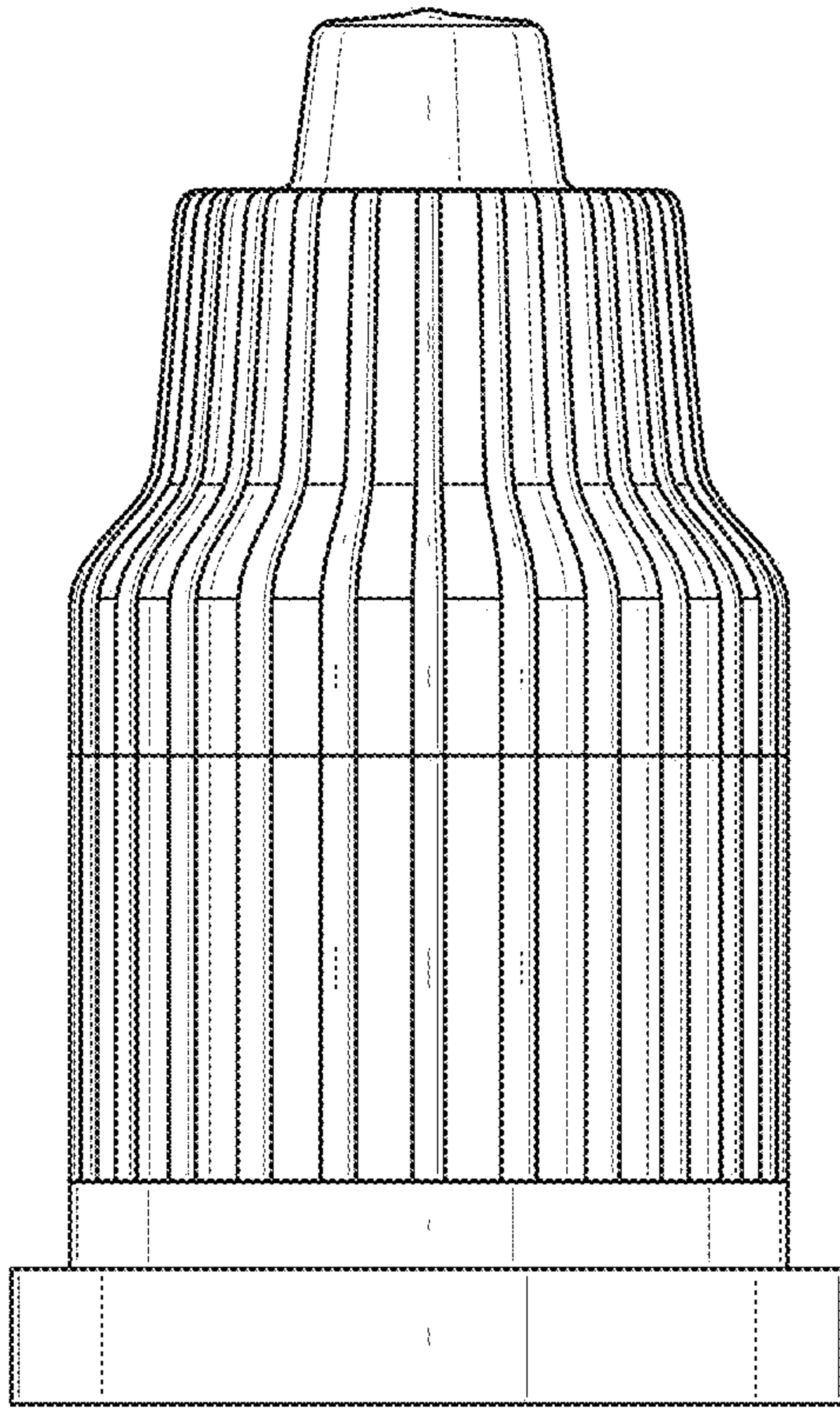


FIG. 3

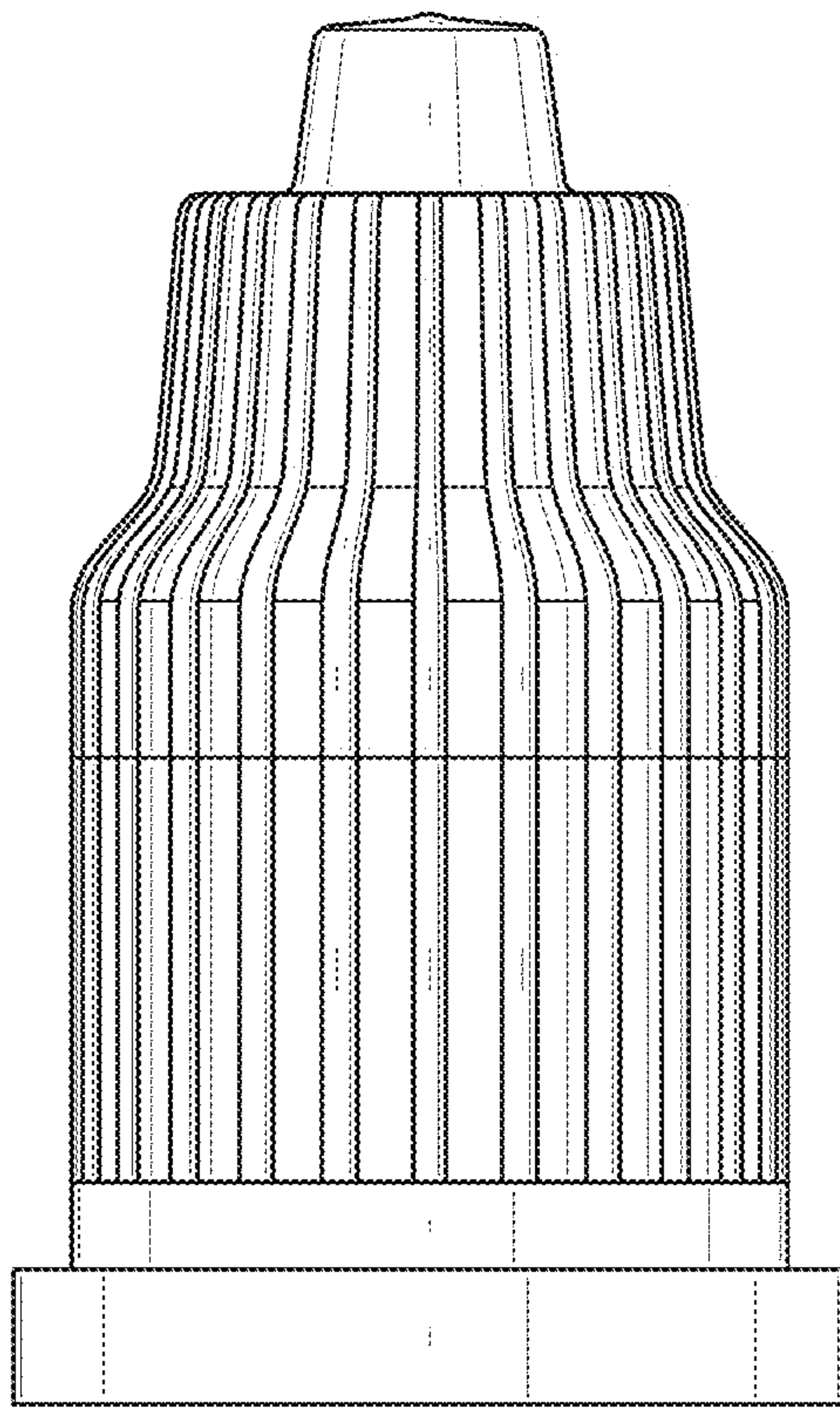


FIG. 4

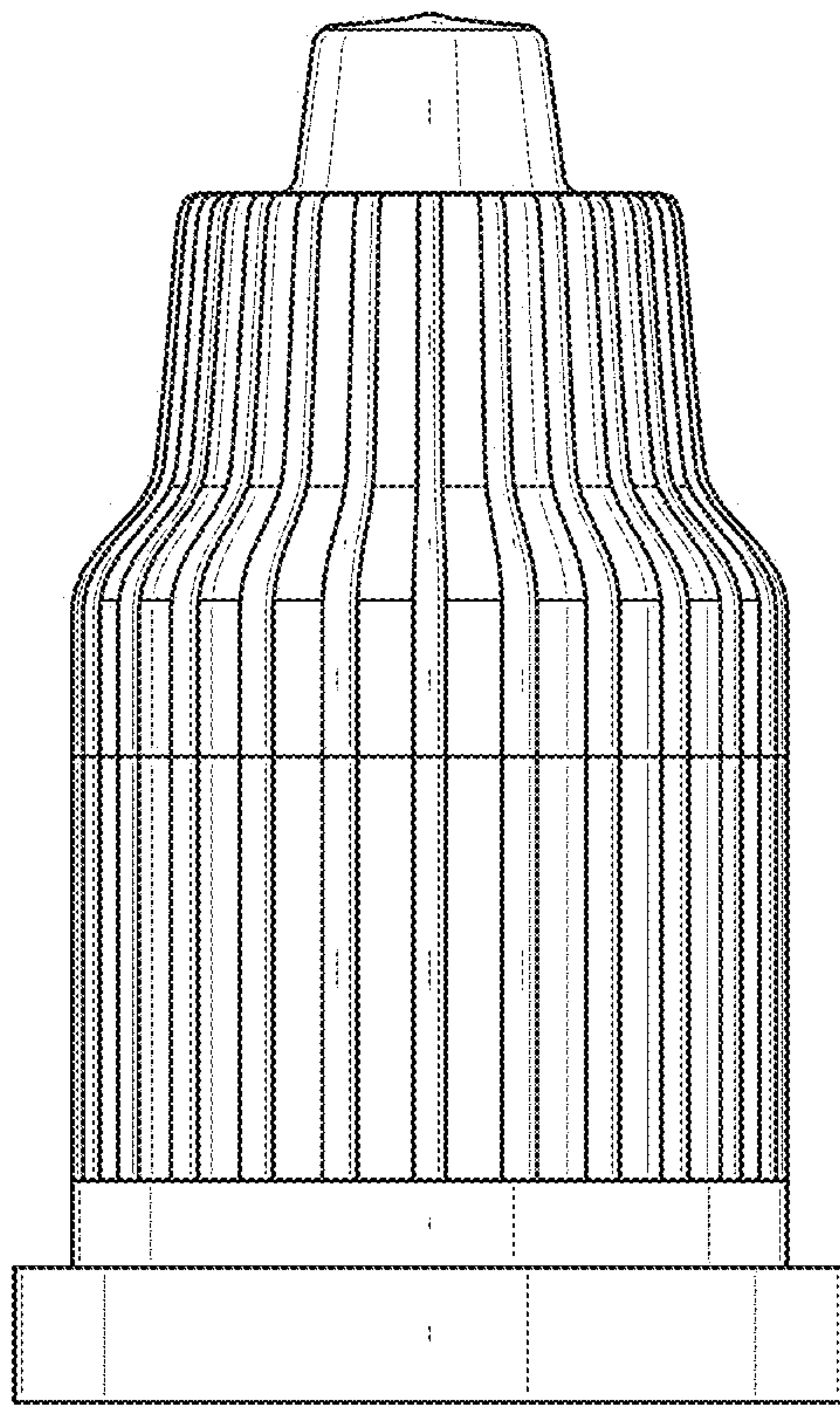


FIG. 5

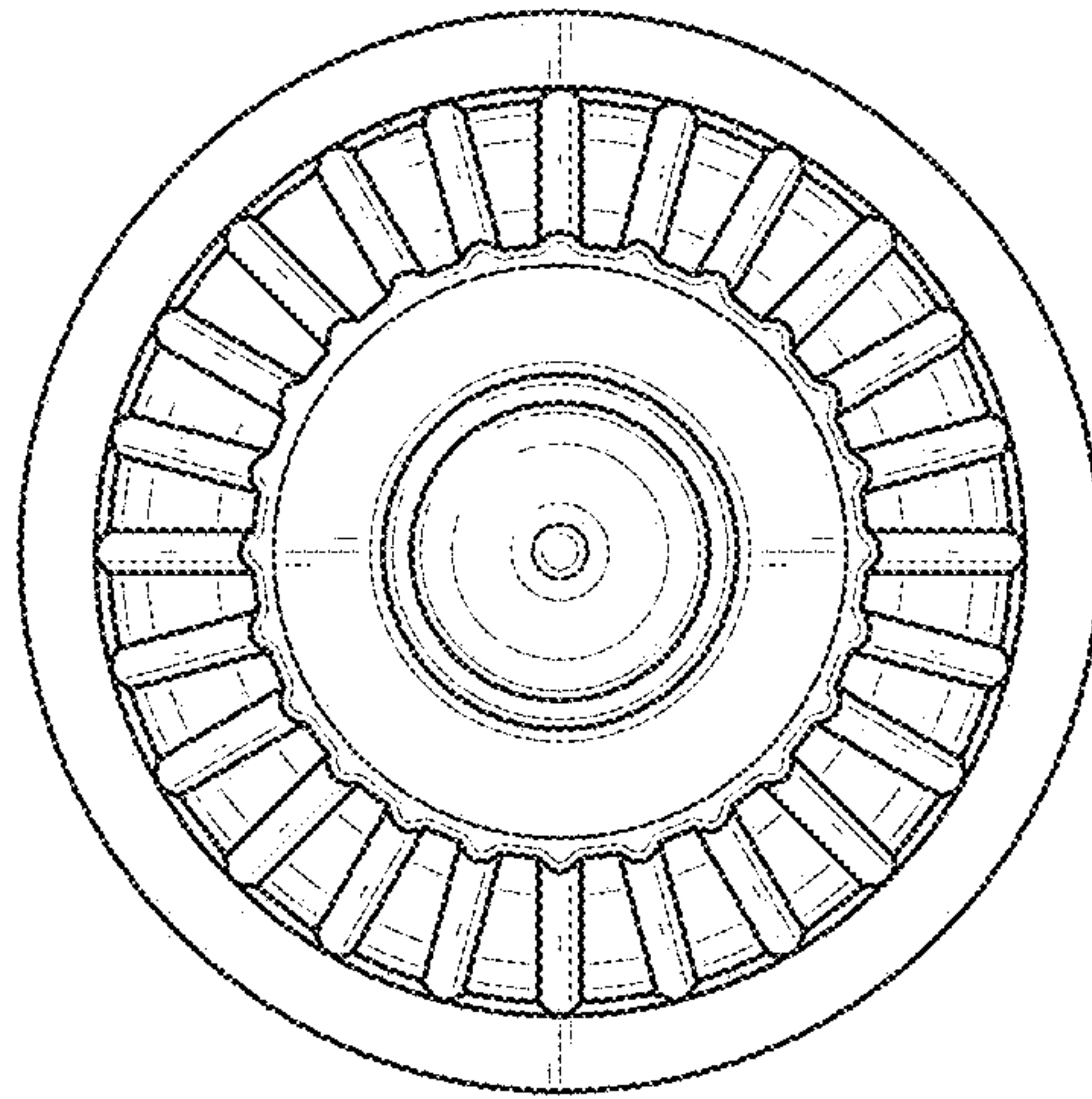


FIG. 6

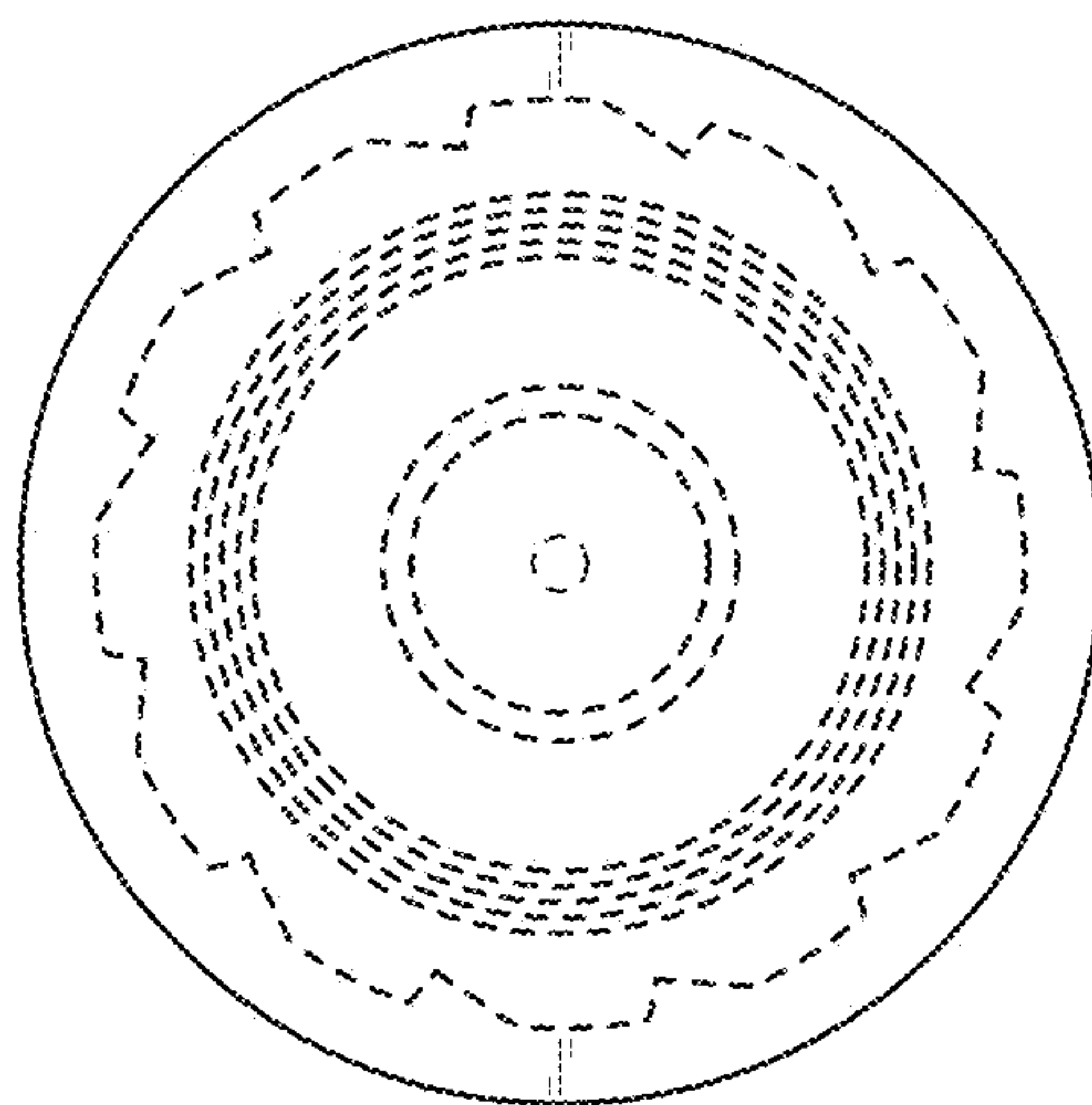


FIG. 7