



US00D693679S

(12) **United States Design Patent**
Sill

(10) **Patent No.:** **US D693,679 S**
(45) **Date of Patent:** **** Nov. 19, 2013**

- (54) **CLOSEABLE CARTON**
- (71) Applicant: **Inno-Pak, LLC**, Delaware, OH (US)
- (72) Inventor: **Jonathan D. Sill**, Powell, OH (US)
- (73) Assignee: **Inno-Pak, LLC**, Delaware, OH (US)
- (**) Term: **14 Years**
- (21) Appl. No.: **29/448,441**

- 2,805,813 A 9/1957 Rittmueller
- 2,838,222 A 6/1958 Papadopoulos
- D190,772 S 6/1961 Cuyler
- D191,145 S 8/1961 Casareo
- 3,019,960 A 2/1962 Vaughan-Parks
- 3,346,399 A 10/1967 Watson et al.
- 3,547,339 A 12/1970 Bruce
- D242,901 S 1/1977 Lohrbach
- 4,002,288 A 1/1977 Klupt
- 4,105,155 A 8/1978 Forbes, Jr.
- 4,238,069 A 12/1980 Morris, Jr.
- D259,615 S 6/1981 Morris, Jr.

(Continued)

Primary Examiner — Thomas Johannes

(74) *Attorney, Agent, or Firm* — Ward and Smith, P.A.

- (22) Filed: **Mar. 12, 2013**
- (51) **LOC (9) Cl.** **09-03**
- (52) **U.S. Cl.**
USPC **D9/433; D9/423**
- (58) **Field of Classification Search**
USPC D9/414, 416, 418, 420–423, 431–433,
D9/761; 206/457, 503, 508, 509, 551, 746,
206/784, 822; 229/100, 103.3, 105, 106,
229/108, 108.1, 109, 112–116, 120, 120.24,
229/126, 155, 162.1, 165, 167, 237, 247,
229/407, 902, 911, 915, 916, 919, 922, 938
See application file for complete search history.

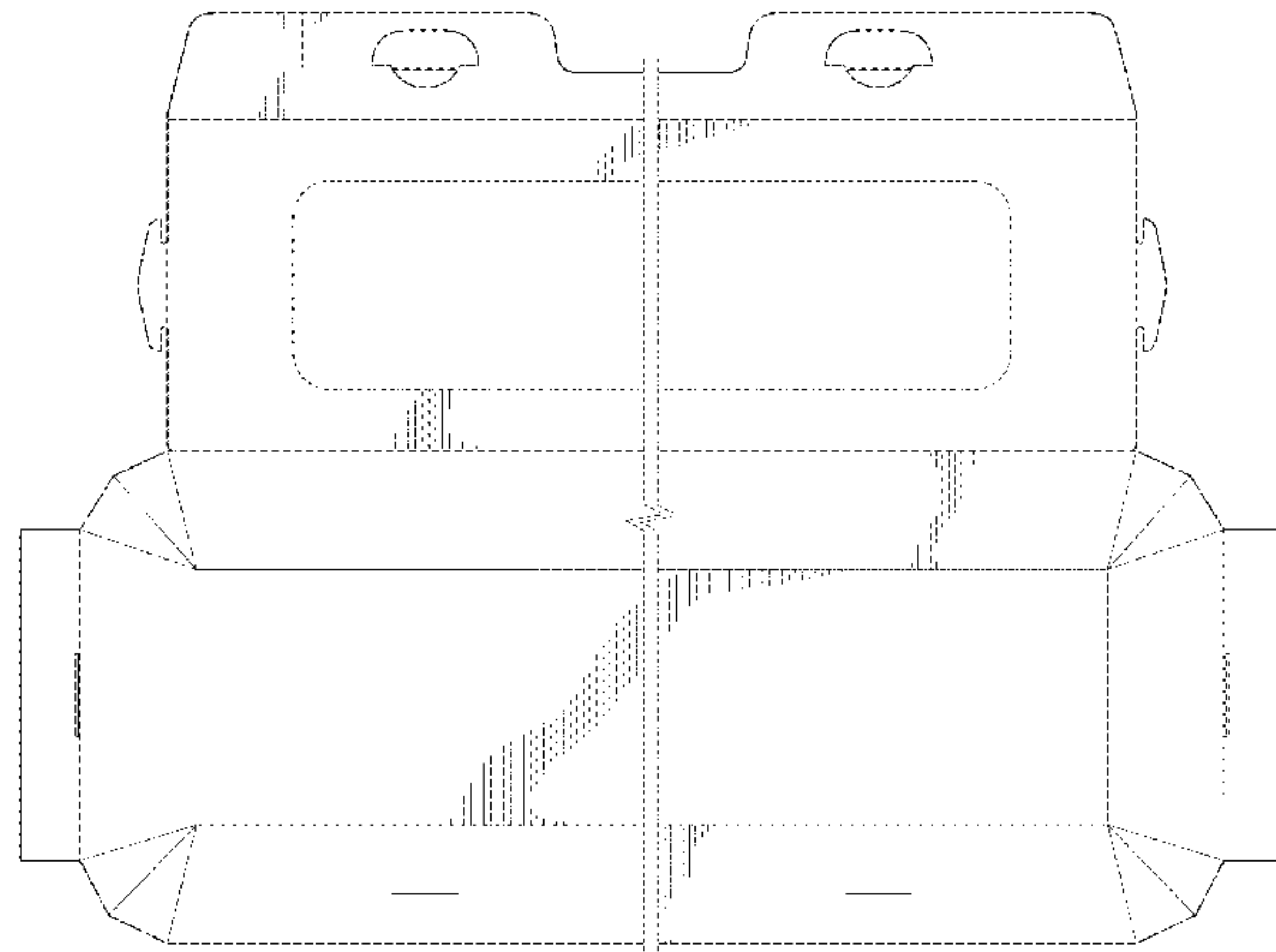
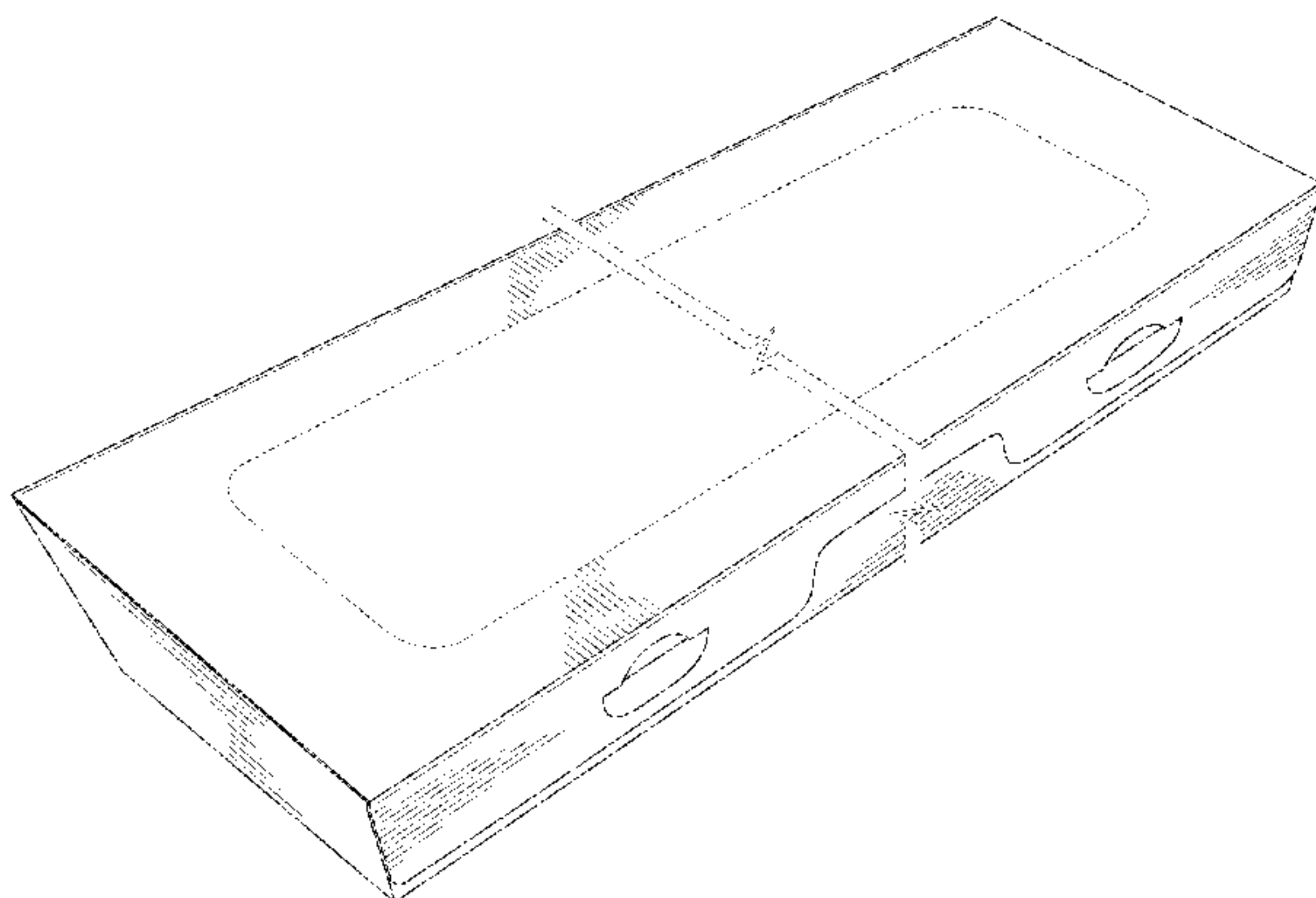
(57) **CLAIM**
The ornamental design for a closeable carton, as shown and described.

DESCRIPTION

FIG. 1 is a perspective view of a closeable carton showing a new design;
 FIG. 2 is a right side elevation view thereof, the left side being a mirror image;
 FIG. 3 is a front elevation view thereof;
 FIG. 4 is a rear elevation view thereof;
 FIG. 5 is a top plan view thereof;
 FIG. 6 is a bottom plan view thereof;
 FIG. 7 is a cross-section view taken on line 7-7 of FIG. 5;
 FIG. 8 is a cross-section view taken on line 8-8 of FIG. 5;
 FIG. 9 is another perspective view thereof, showing the closeable carton in an alternate open configuration; and,
 FIG. 10 is another top plan view thereof, showing the closeable carton in an alternate blank configuration.
 The dashed lines shown in the drawings depict unclaimed subject matter and are for environmental purposes only and form no part of the claimed design.

- (56) **References Cited**
U.S. PATENT DOCUMENTS
- 1,135,742 A 4/1915 Voris
- 1,474,879 A 11/1923 Ayres
- 1,923,774 A 8/1933 Coyle
- 1,991,165 A 2/1935 Lockett
- 2,034,809 A 3/1936 Grant
- 2,091,664 A 8/1937 Walsh
- D106,826 S 11/1937 Dieffenbach
- 2,118,821 A 5/1938 Ringler
- D136,489 S 10/1943 Geffner
- 2,572,610 A 10/1951 Gilbert
- 2,644,633 A 7/1953 Stopper
- 2,666,414 A 1/1954 Burr et al.
- 2,728,485 A 12/1955 Howard
- 2,793,801 A 5/1957 Papadopoulos

1 Claim, 8 Drawing Sheets



(56)

References Cited

U.S. PATENT DOCUMENTS

4,375,846 A 3/1983 Nauheimer
 D273,179 S 3/1984 Shore
 D282,720 S 2/1986 Borg
 D292,487 S 10/1987 Kea
 5,411,204 A 5/1995 DeMay
 5,494,214 A 2/1996 Fleury et al.
 D385,187 S 10/1997 Loft
 5,853,121 A 12/1998 Francisco
 D418,751 S 1/2000 Wolf
 D437,554 S 2/2001 Milton
 D442,859 S 5/2001 Hirschey
 D447,685 S 9/2001 Chagnon et al.
 D462,903 S 9/2002 Yuen
 D497,309 S 10/2004 Nordland et al.
 D502,646 S 3/2005 Postulka
 D516,421 S 3/2006 Girondi et al.
 7,255,261 B2 8/2007 Mesly
 D570,210 S 6/2008 McGrath
 D576,482 S 9/2008 DeBusk

D578,876 S 10/2008 Ambelang et al.
 D600,110 S 9/2009 Cain
 D622,139 S 8/2010 Marcott et al.
 D631,743 S 2/2011 Hubbard et al.
 D640,128 S 6/2011 Harshman
 D651,076 S 12/2011 Van Berlo
 D664,429 S 7/2012 Arrigo
 D669,352 S * 10/2012 Paslawski D9/423
 D674,690 S 1/2013 Sill
 D675,092 S 1/2013 Sill
 D675,520 S 2/2013 Sill
 D675,920 S 2/2013 Sill
 D678,760 S * 3/2013 Cooper D9/418
 D678,761 S 3/2013 Cooper
 D678,762 S * 3/2013 Cooper D9/418
 D678,779 S 3/2013 Lee
 D679,950 S 4/2013 Cooper
 D684,858 S * 6/2013 Sill D9/433
 2003/0217946 A1 * 11/2003 Hsu 206/494
 2005/0150788 A1 * 7/2005 Feusner 206/278
 2008/0087679 A1 4/2008 Cook et al.

* cited by examiner

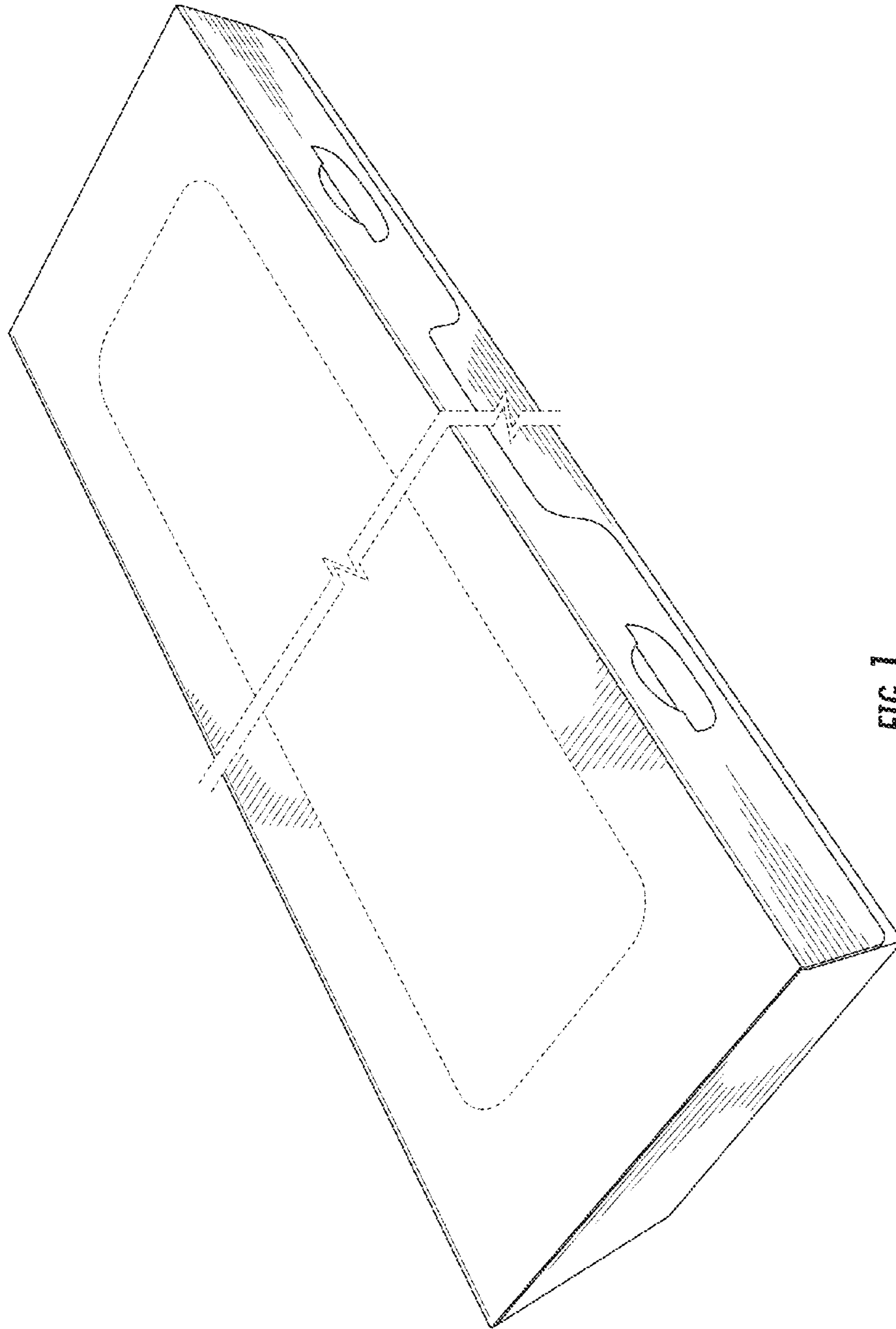


FIG. 1



FIG. 2

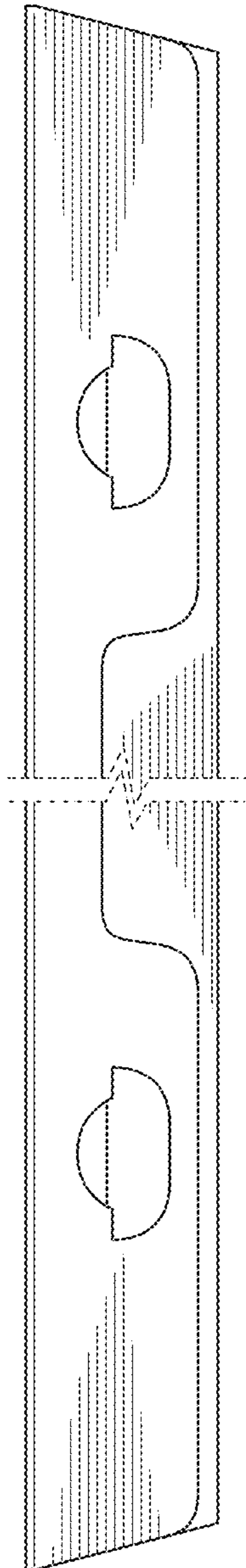


FIG. 3

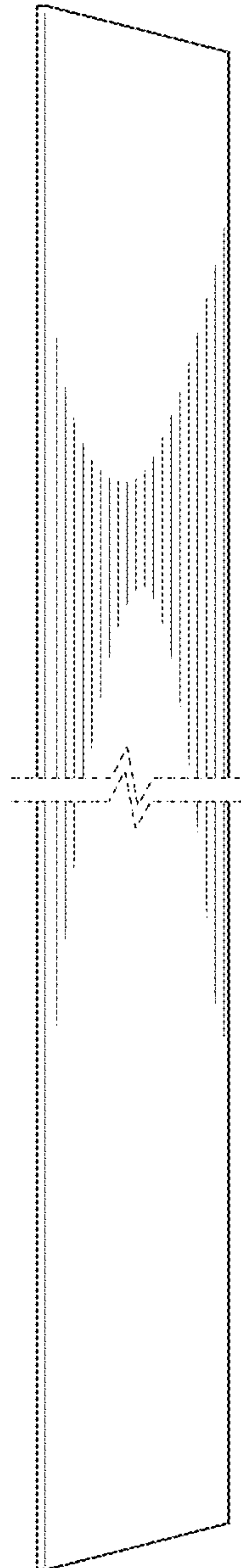


FIG. 4

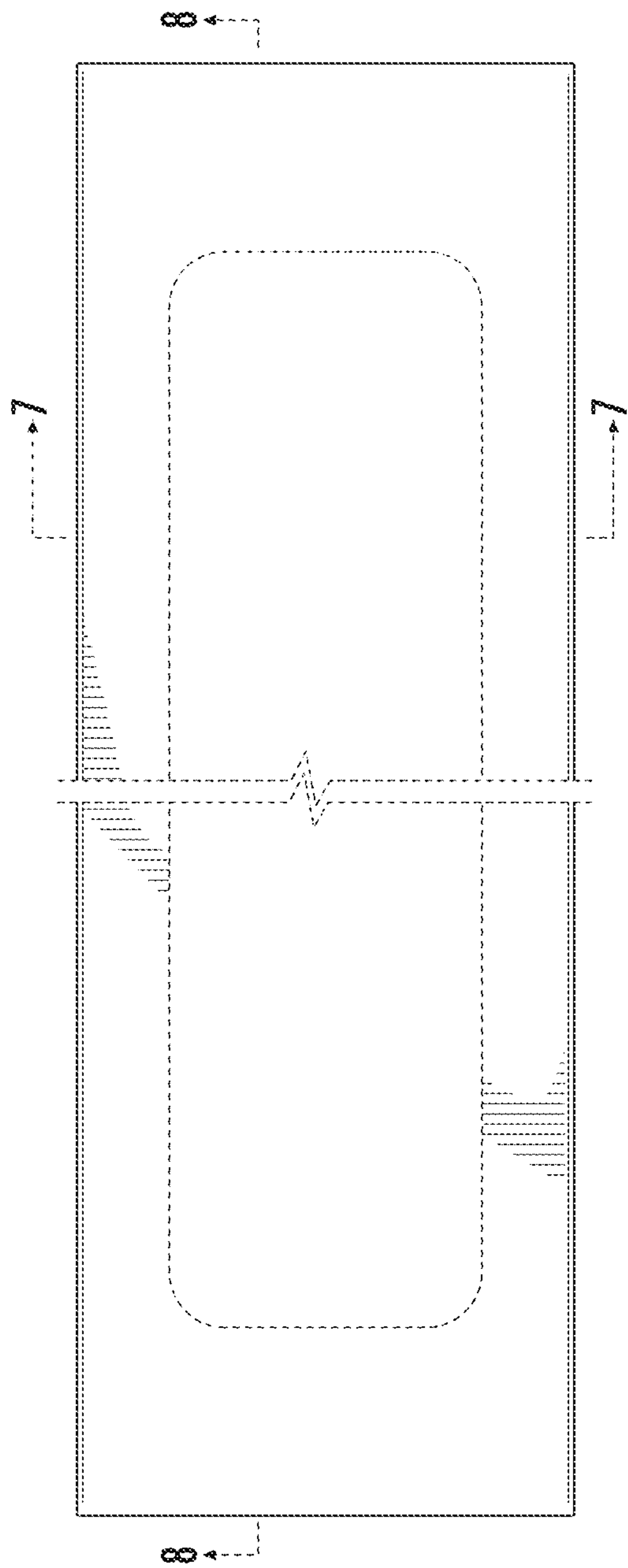


FIG. 5

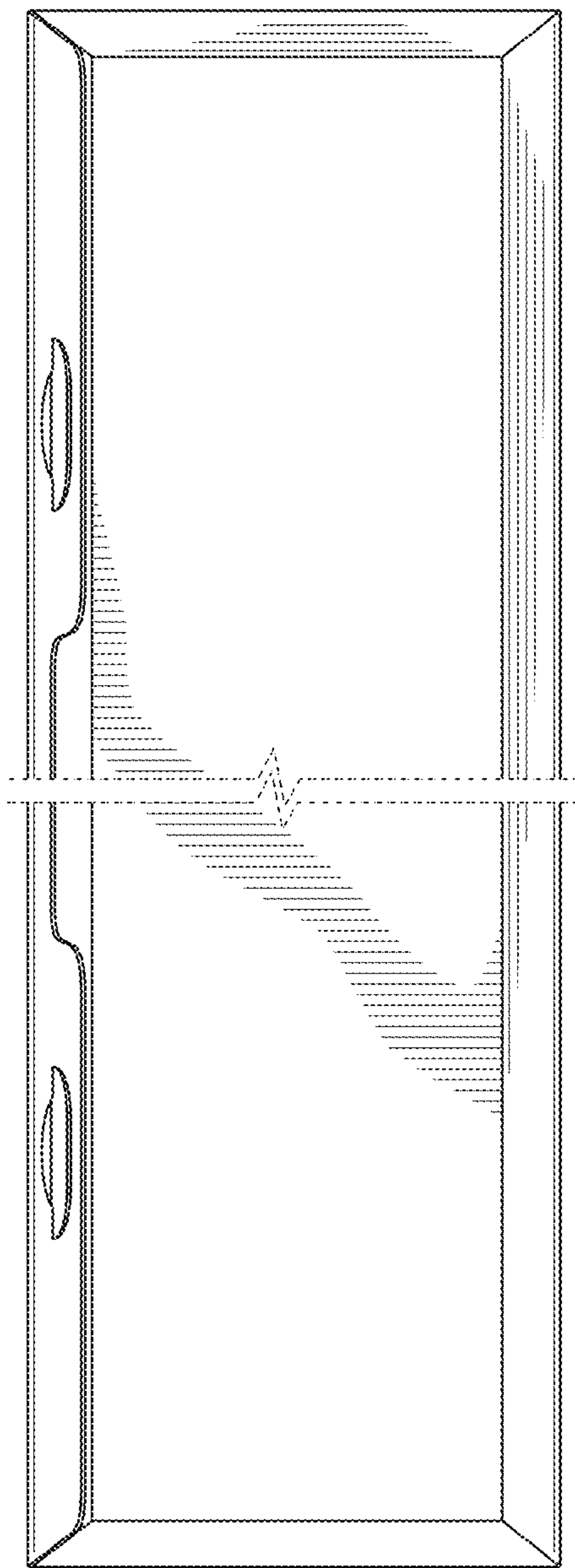


FIG. 6

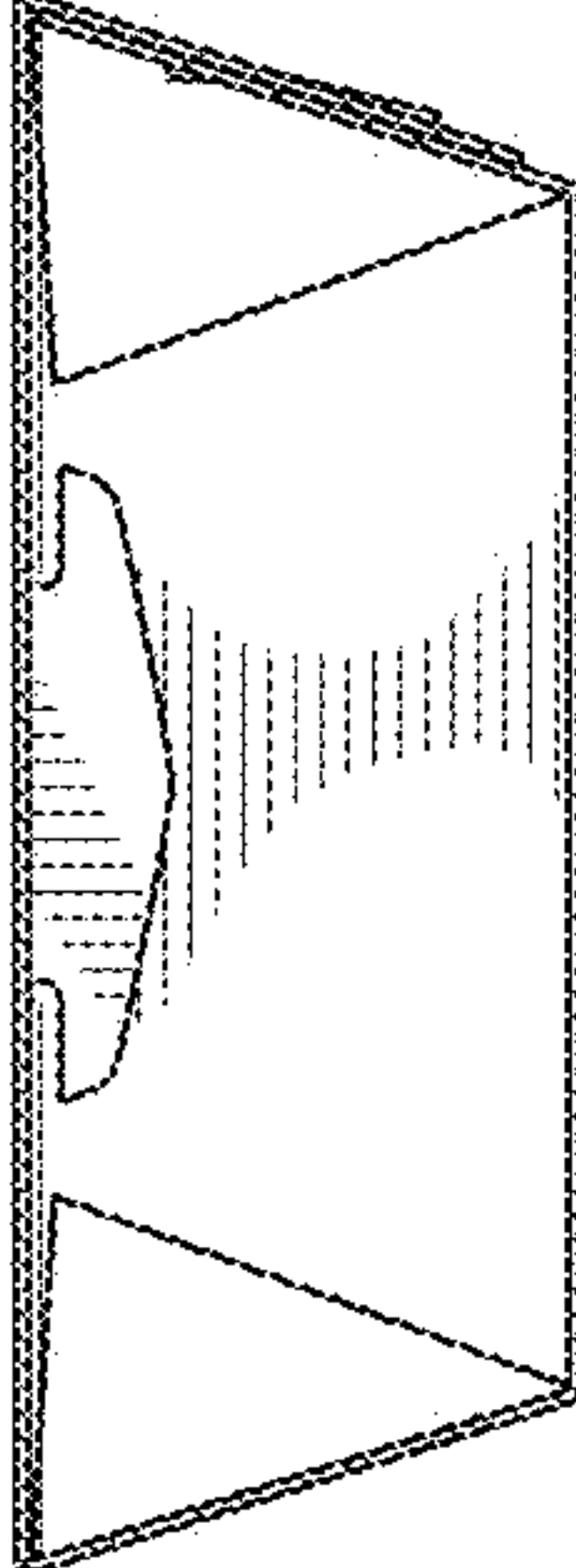


FIG. 7

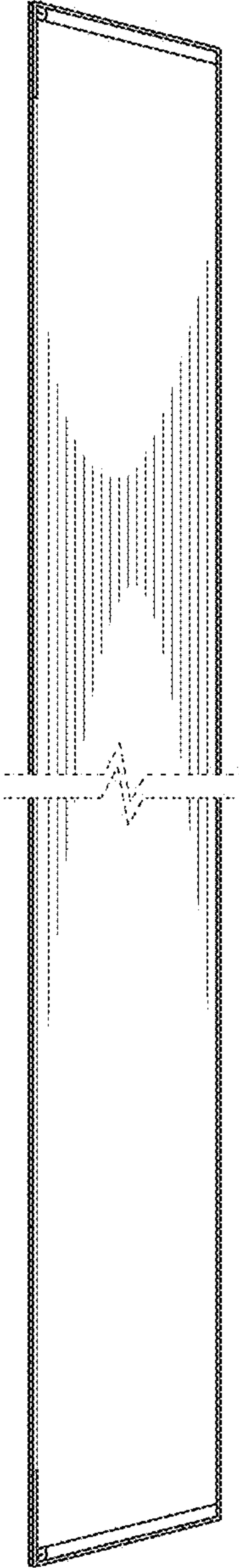


FIG. 8

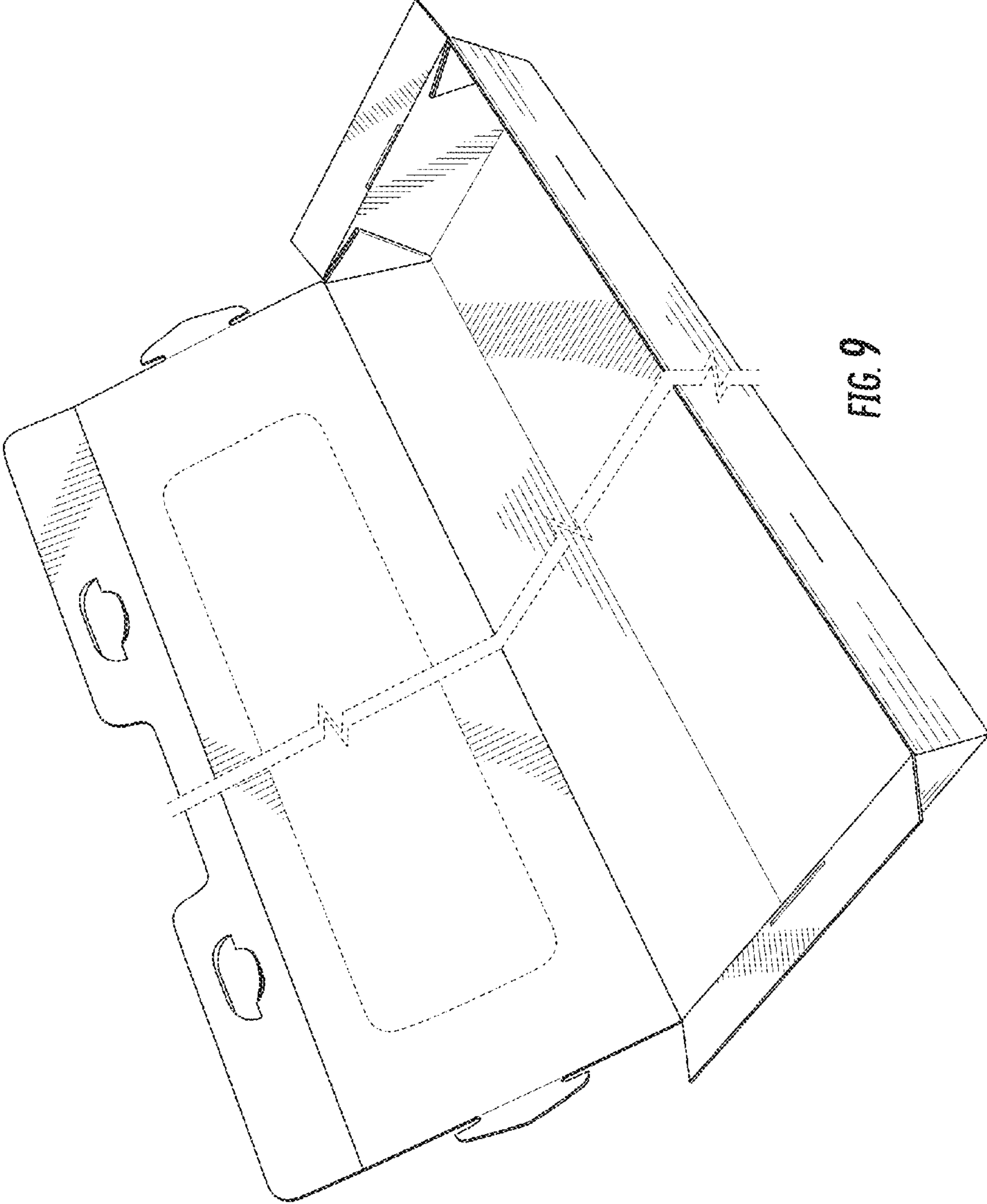


FIG 9

