

US00D693674S

(12) **United States Design Patent**
Swart et al.

(10) **Patent No.:** **US D693,674 S**
(45) **Date of Patent:** **** Nov. 19, 2013**

(54) **PACKAGING FOR PLUMBING FIXTURES**

2,091,291 A * 8/1937 Ringler 229/109
D128,642 S * 8/1941 Preis D9/416
2,314,631 A * 3/1943 Ray 229/117.27

(75) Inventors: **Peter W. Swart**, Oostburg, WI (US);
Michael J. Pagel, Fond Du Lac, WI
(US); **Lawrence Duwell**, Adell, WI
(US); **Chad Jorgensen**, Sheboygan, WI
(US)

(Continued)

FOREIGN PATENT DOCUMENTS

(73) Assignee: **Kohler Co.**, Kohler, WI (US)

DE 3925490 2/1990
DE 202008008166 8/2008

(Continued)

(**) Term: **14 Years**

OTHER PUBLICATIONS

(21) Appl. No.: **29/430,641**

International Search Report and Written Opinion for International
Application No. PCT/US2012/045802, mailing date Jan. 15, 2013,
18 pages.

(22) Filed: **Aug. 28, 2012**

(Continued)

Related U.S. Application Data

(62) Division of application No. 29/396,965, filed on Jul. 8,
2011, now Pat. No. Des. 668,144.

Primary Examiner — Thomas Johannes

(51) **LOC (9) Cl.** **09-03**

(74) *Attorney, Agent, or Firm* — Foley & Lardner LLP

(52) **U.S. Cl.**
USPC **D9/430**

(57) **CLAIM**

(58) **Field of Classification Search**
USPC D9/430–433, 414, 418, 420–423, 435,
D9/560, 561; D3/201, 272, 273, 305;
206/278, 297, 299, 320, 339, 433, 769,
206/770, 775, 776, 781, 782, 822; 229/100,
229/103.3, 104–106, 107, 108, 108.1, 110,
229/111, 112, 115, 117.16, 120, 125.015,
229/120.32, 133.24, 122.29, 124, 160.1,
229/162.1, 162.6, 163, 182.1, 201, 406,
229/407, 902, 904, 906, 922, 930, 939,
229/942; D7/602

We claim the ornamental design for a packaging for plumbing
fixtures, as shown and described.

DESCRIPTION

See application file for complete search history.

FIG. 1 is a top perspective view of packaging for plumbing
fixtures showing our new design;
FIG. 2 is a front elevation view thereof;
FIG. 3 is a rear elevation view thereof;
FIG. 4 is a right-side elevation view thereof;
FIG. 5 is a left-side elevation view thereof;
FIG. 6 is a top plan view thereof; and,
FIG. 7 is a bottom plan view thereof.

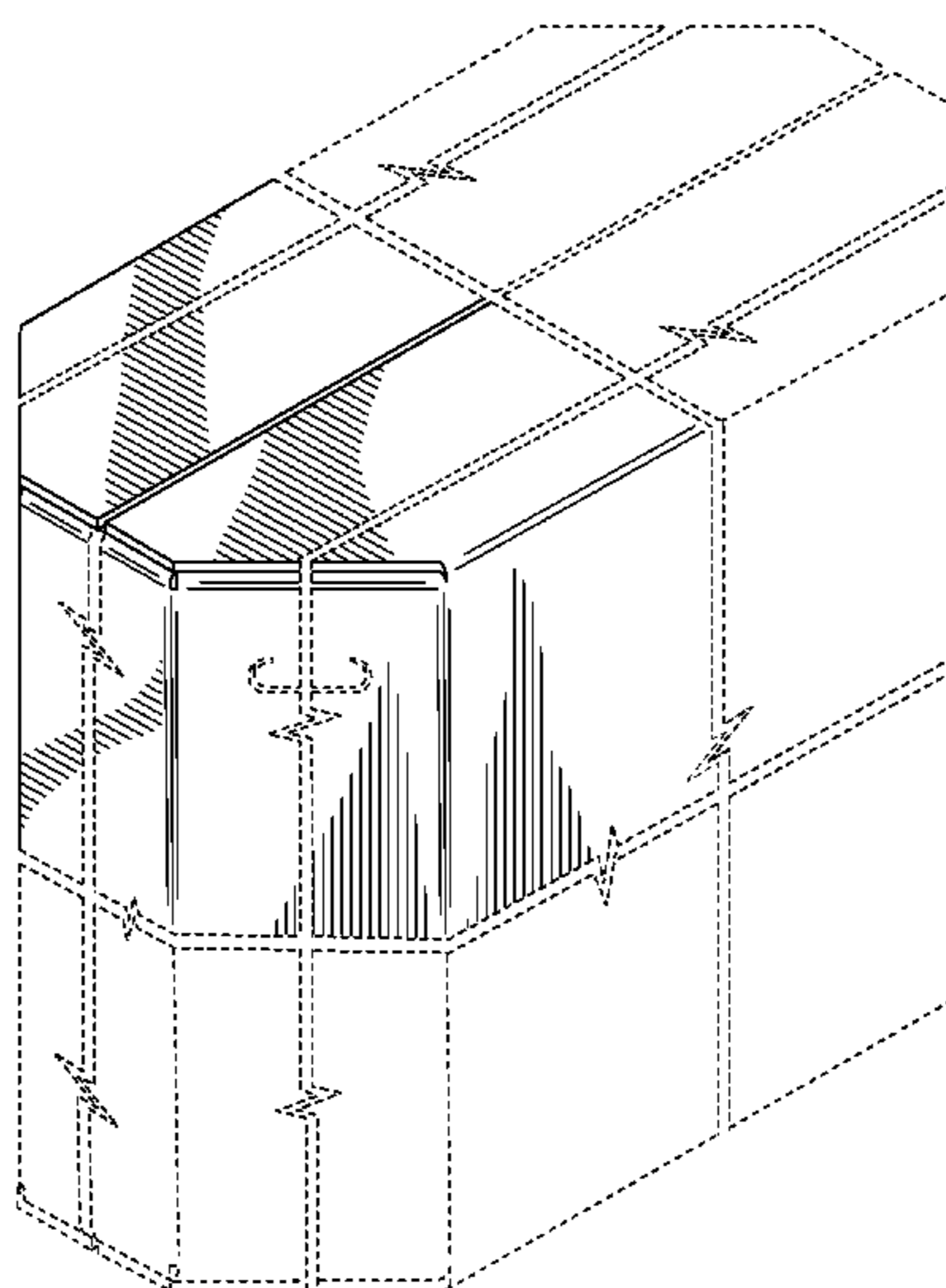
The ornamental design which is claimed is shown in solid
lines in the drawings. The broken lines in the drawings show
unclaimed subject matter and form no part of the claimed
design. The dot-dash lines in the drawings define boundaries
of the claimed design and form no part thereof.

(56) **References Cited**

U.S. PATENT DOCUMENTS

D28,639 S * 5/1898 Gere D9/430
901,695 A * 10/1908 Davis 229/109
D75,980 S * 8/1928 Pfeiffer D9/430

1 Claim, 7 Drawing Sheets



(56)

References Cited

U.S. PATENT DOCUMENTS

2,341,631 A 3/1943 Ray
 2,565,188 A * 8/1951 Welshenbach 229/109
 2,826,350 A * 3/1958 Marx 229/110
 3,333,685 A * 8/1967 Pezdek 206/728
 3,526,352 A 9/1970 Swett
 3,700,161 A * 10/1972 Bundy 229/110
 3,907,194 A * 9/1975 Davenport et al. 229/109
 4,008,804 A 2/1977 Poggiali
 4,119,266 A * 10/1978 Dempster 229/109
 4,260,100 A * 4/1981 Hoffman 229/109
 4,289,267 A 9/1981 Mayea
 4,359,182 A * 11/1982 Perkins, Jr. 229/125.26
 4,361,267 A * 11/1982 Wozniacki 229/109
 4,386,729 A * 6/1983 Schmidt 229/109
 4,511,080 A * 4/1985 Madsen et al. 229/110
 4,549,690 A * 10/1985 Rosenburg 229/109
 4,717,022 A * 1/1988 Combs 206/418
 4,850,506 A * 7/1989 Heaps et al. 229/117.3
 4,856,705 A * 8/1989 Carr et al. 229/109
 D328,168 S * 7/1992 Bartle D34/7
 1,425,549 A 8/1992 Scruby
 5,244,093 A * 9/1993 Carmichael et al. 206/499
 5,259,550 A * 11/1993 Kuchenbecker 229/109
 5,531,375 A * 7/1996 Palm 229/137
 5,533,666 A * 7/1996 Cromwell 229/109
 5,542,541 A * 8/1996 Smith 206/600
 5,749,489 A * 5/1998 Benner et al. 229/117.3
 D395,004 S 6/1998 Shamoon
 5,878,946 A * 3/1999 Frerot et al. 229/117.13
 5,915,617 A * 6/1999 Gasper 229/109
 5,921,465 A * 7/1999 Garton 229/109
 5,950,911 A * 9/1999 Naughton et al. 229/109
 6,237,838 B1 * 5/2001 Bradenbaugh 229/109
 6,446,859 B1 * 9/2002 Holladay 229/109
 6,588,651 B2 * 7/2003 Quaintance 229/109
 6,783,058 B2 * 8/2004 Quaintance 229/109
 D495,598 S 9/2004 Smith
 D506,670 S 6/2005 Borkoski
 6,932,266 B2 * 8/2005 Jones et al. 229/199
 7,090,115 B2 8/2006 Pierce

D528,926 S * 9/2006 Blin D9/751
 7,350,670 B2 * 4/2008 Steeves et al. 222/105
 7,434,721 B2 * 10/2008 Feltz 229/109
 D588,452 S * 3/2009 Rotta D9/721
 7,581,672 B1 * 9/2009 Keefe 229/109
 7,654,440 B2 * 2/2010 Quaintance et al. 229/109
 7,690,554 B2 * 4/2010 Zacher et al. 229/109
 D617,184 S * 6/2010 Sneva D9/430
 7,731,080 B2 * 6/2010 Zacher et al. 229/109
 7,806,313 B2 * 10/2010 Philips 229/109
 D628,884 S * 12/2010 Smith D9/430
 D640,133 S * 6/2011 Jones et al. D9/430
 D668,144 S * 10/2012 Swart et al. D9/430
 D668,951 S 10/2012 Voelker
 2002/0148883 A1 10/2002 Timbrook et al.
 2003/0024971 A1 2/2003 Jones et al.
 2005/0139645 A1 * 6/2005 Shean et al. 229/109
 2005/0284922 A1 * 12/2005 Feltz 229/109
 2006/0027638 A1 * 2/2006 Jones et al. 229/117.35
 2006/0180642 A1 8/2006 Zacher et al.
 2007/0063002 A1 3/2007 Zacher et al.
 2007/0228119 A1 10/2007 Barner
 2010/0044423 A1 2/2010 Graham et al.
 2010/0065620 A1 3/2010 Smith
 2010/0163609 A1 7/2010 Bull
 2010/0230479 A1 9/2010 Graham et al.

FOREIGN PATENT DOCUMENTS

JP 08-119254 5/1996
 JP 2007-186235 7/2007
 JP 2009-241937 10/2009
 WO WO98/56665 12/1998
 WO WO2013/006812 1/2013

OTHER PUBLICATIONS

Invitation to Pay Additional Fees and, Where Applicable, Protest Fee for International Application No. PCT/US2012/045802, mailing date Oct. 30, 2012, 5 pages.
 Notice of Allowance for U.S. Appl. No. 29/430,642, mailing date Nov. 15, 2012, 15 pages.

* cited by examiner

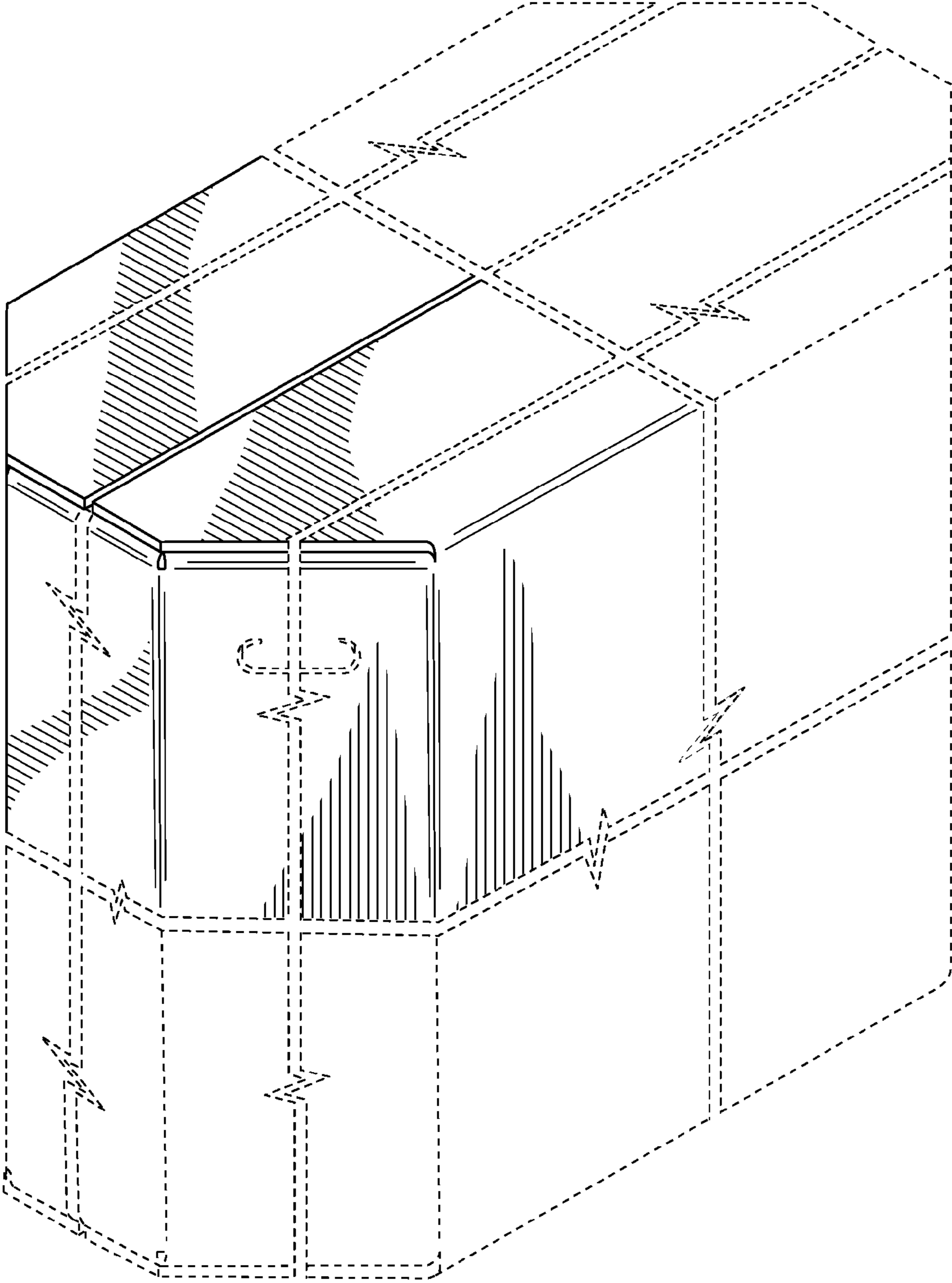


FIG. 1

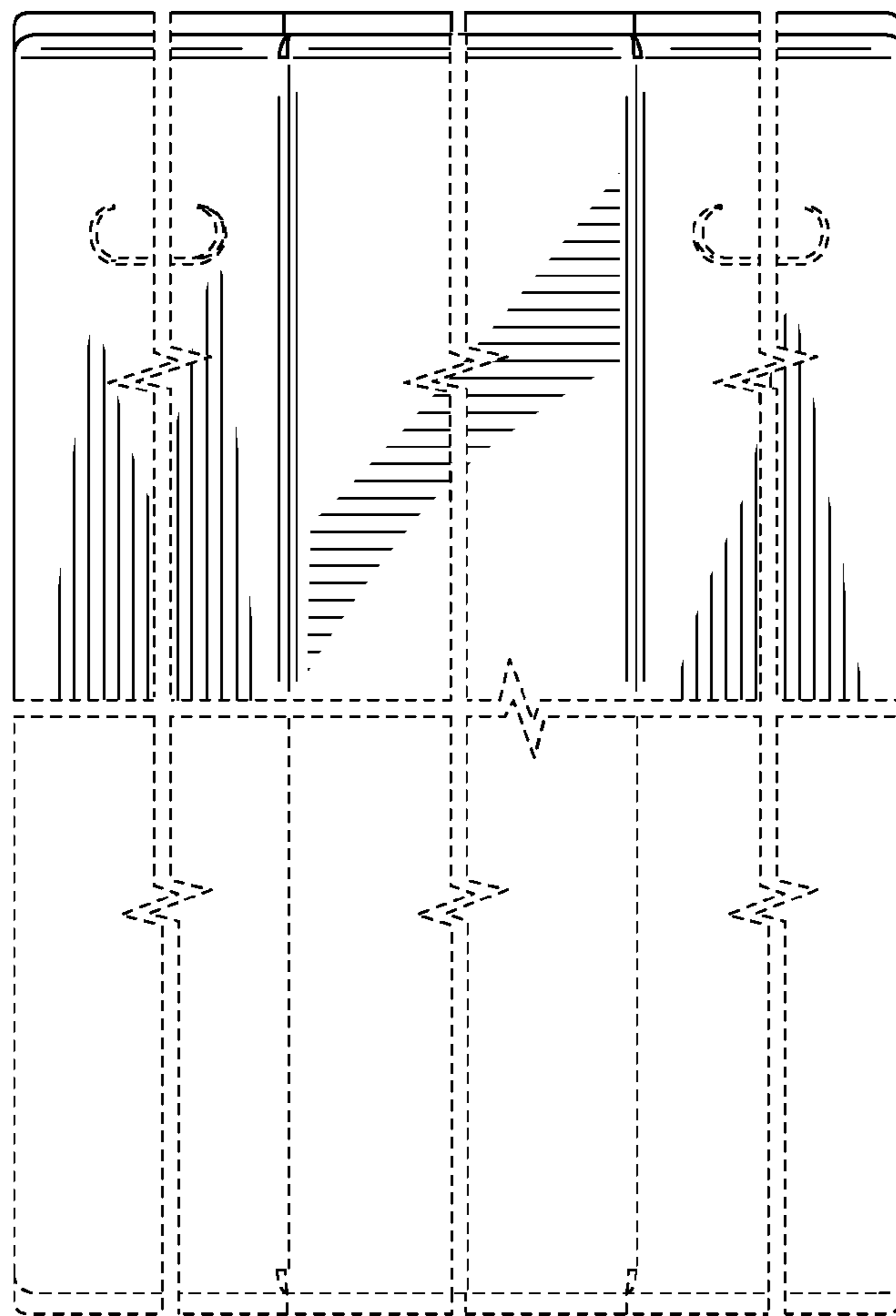


FIG. 2

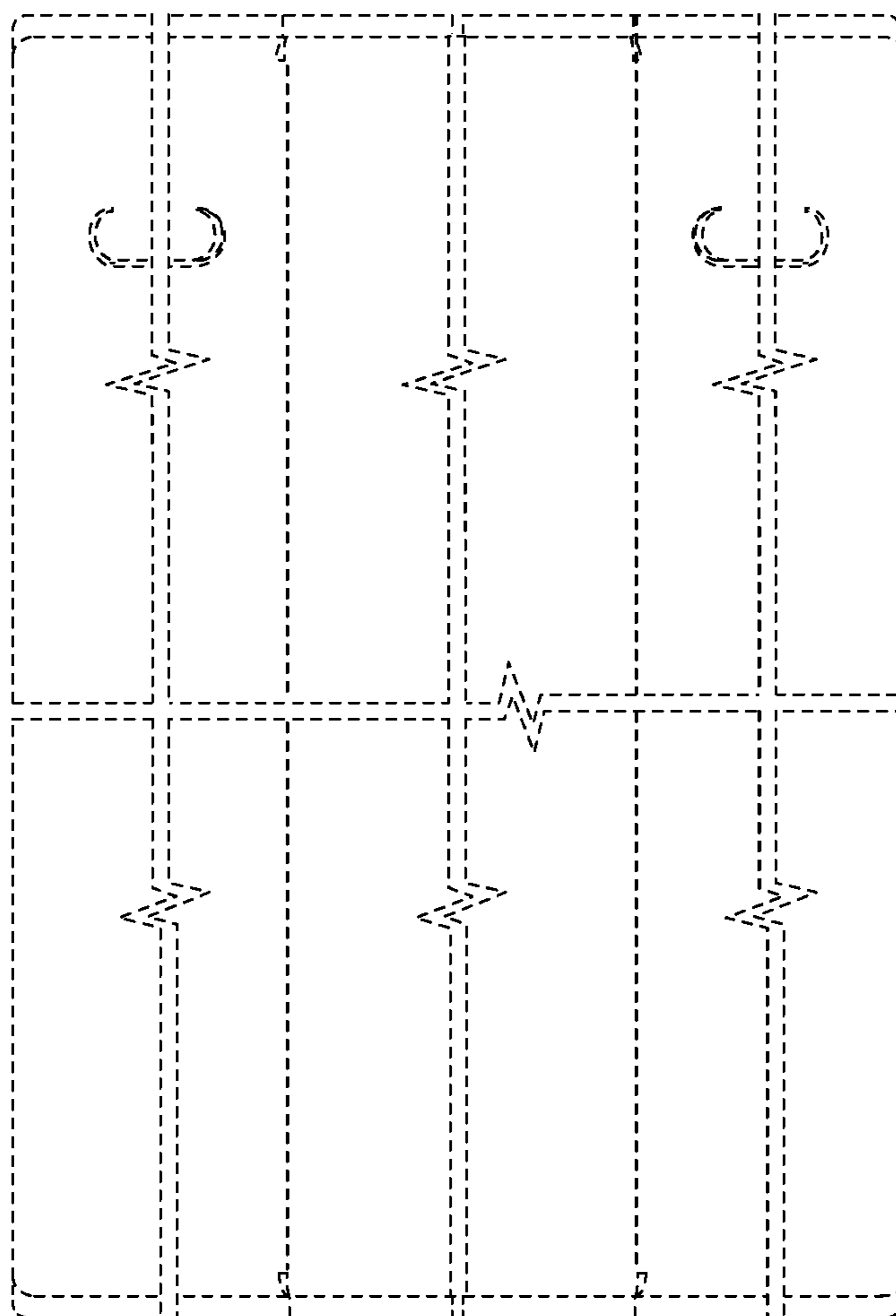


FIG. 3

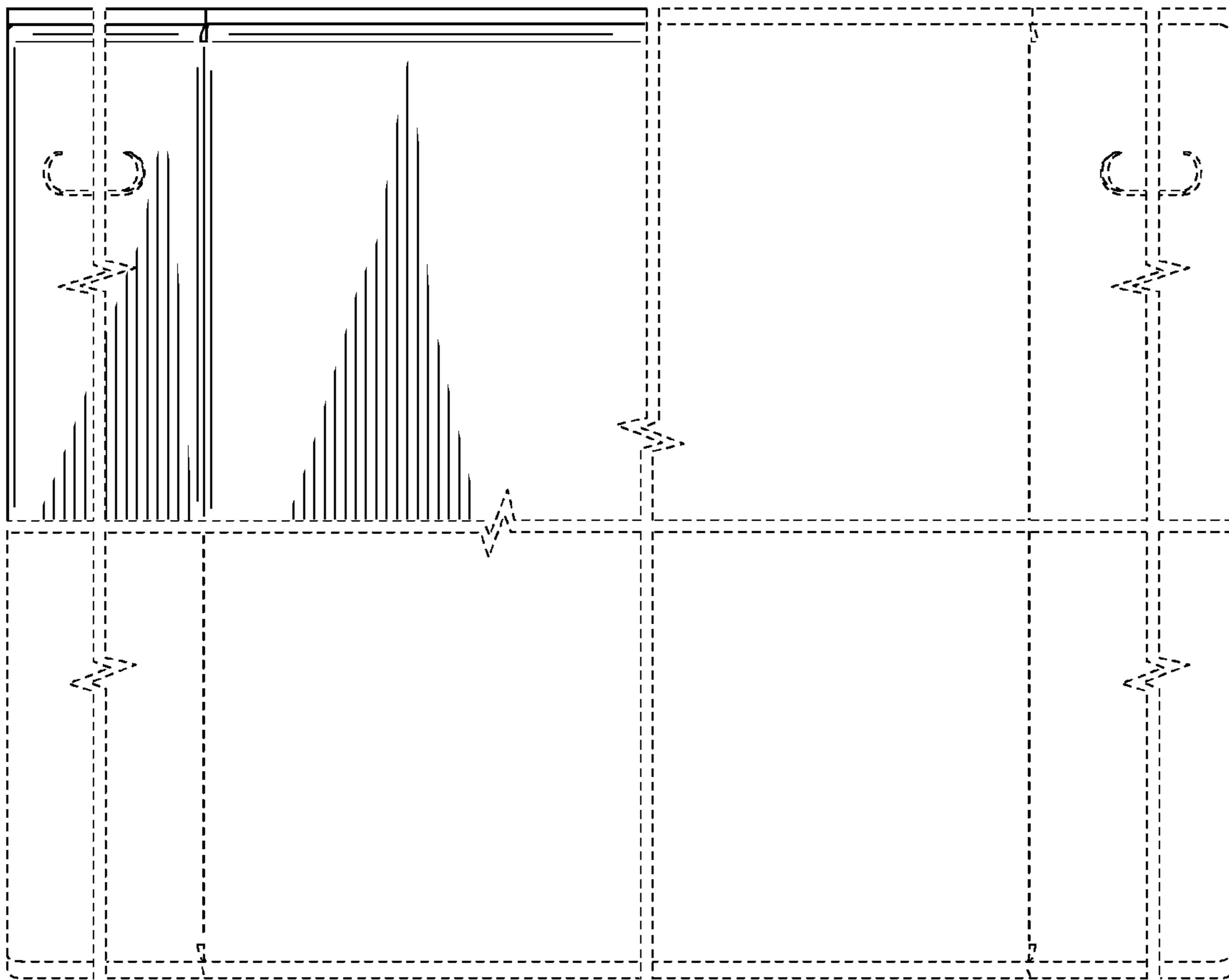


FIG. 4

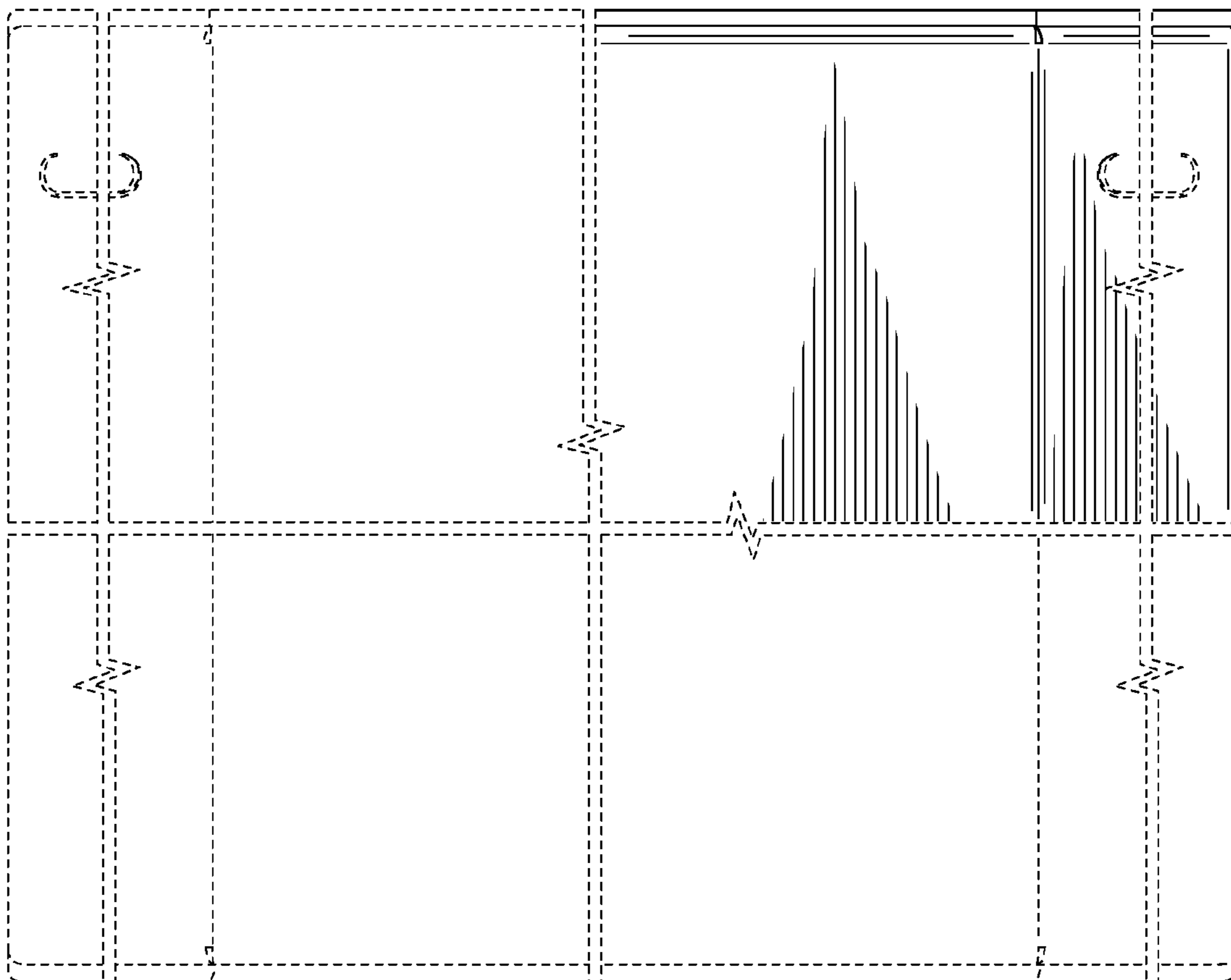


FIG. 5

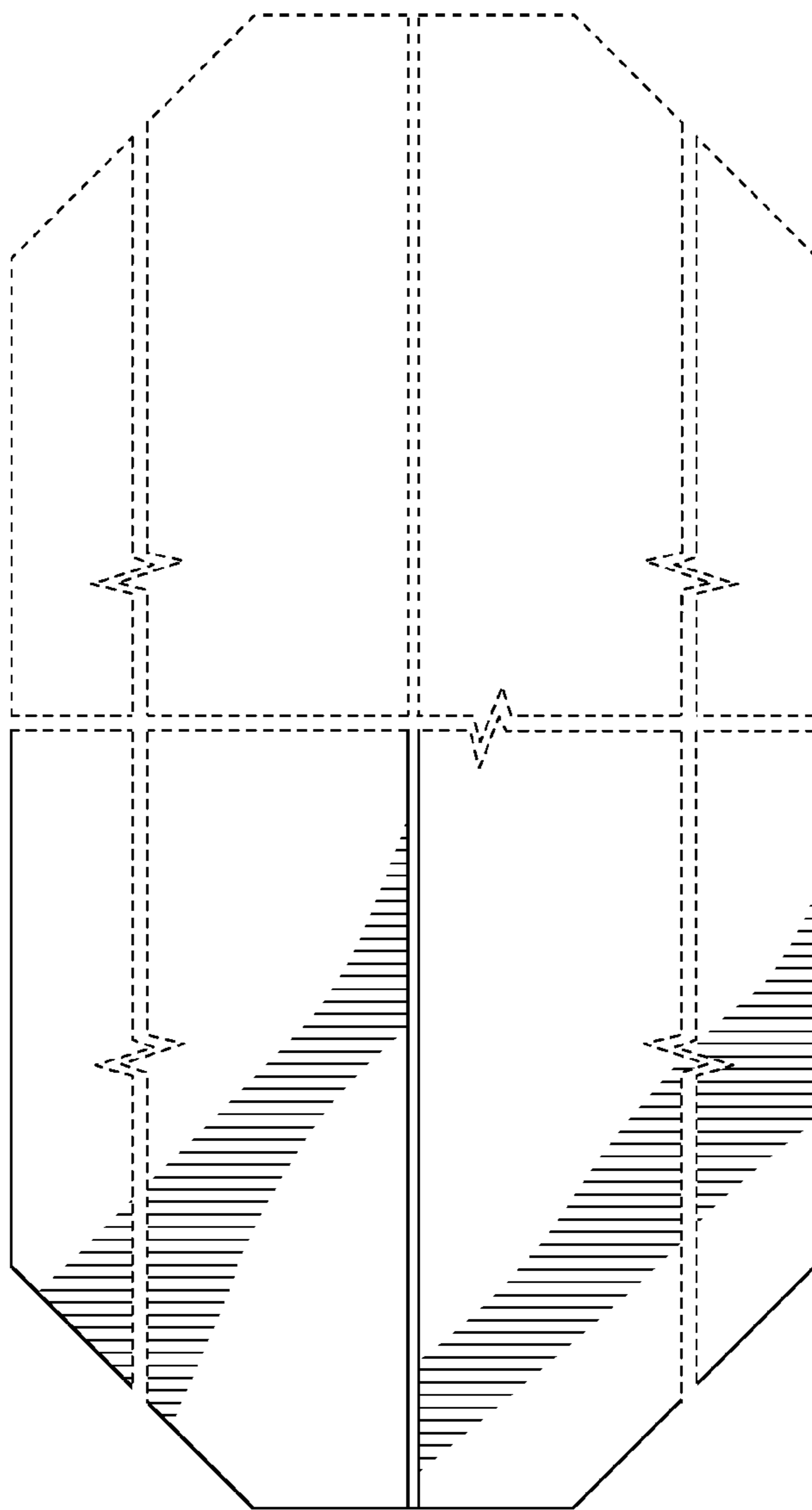


FIG. 6

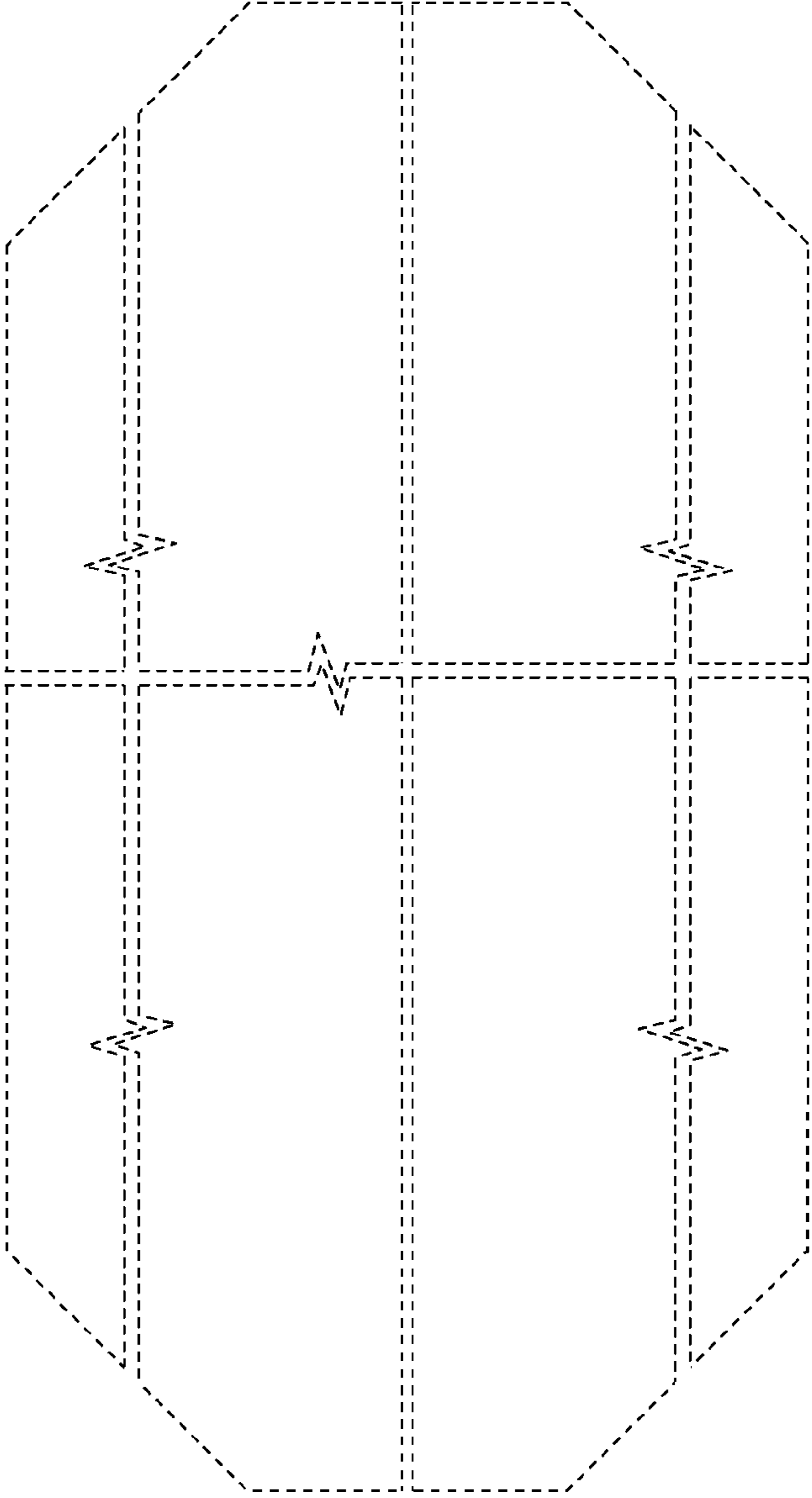


FIG. 7