



US00D693672S

(12) **United States Design Patent**
Bontrager et al.

(10) **Patent No.:** **US D693,672 S**

(45) **Date of Patent:** **** Nov. 19, 2013**

(54) **CONTAINER**

(75) Inventors: **Richard Louis Bontrager**, Ripon, CA (US); **Randall Glenn Strange**, Manteca, CA (US); **Joseph Michael Torquato**, Hollister, CA (US)

(73) Assignee: **Earthbound Farm Holdings**, San Juan Bautista, CA (US)

(**) Term: **14 Years**

(21) Appl. No.: **29/425,423**

(22) Filed: **Jun. 22, 2012**

(51) **LOC (9) Cl.** **09-03**

(52) **U.S. Cl.**
USPC **D9/425**

(58) **Field of Classification Search**
USPC D9/414, 419, 424, 425, 430, 431, 432, D9/435, 737, 761; D7/538, 549, 550.1, D7/601-603, 605, 629; 229/105, 117.09, 229/117.26, 189, 406, 407, 902, 905, 229/915.1; 220/23.4, 23.6, 266, 281, 315, 220/318, 500, 659, 669, 674, 675, 696, 752, 220/760, 790, 793, DIG. 12, FOR. 117; 206/508; D3/276

See application file for complete search history.

(56) **References Cited**

U.S. PATENT DOCUMENTS

D646,563	S *	10/2011	Bontrager et al.	D9/425
8,028,851	B2 *	10/2011	Vovan et al.	220/266
8,083,089	B2 *	12/2011	Vovan	220/359.2
D673,847	S *	1/2013	Barbier	D9/420
8,381,944	B2 *	2/2013	Strange et al.	220/793
2011/0139785	A1 *	6/2011	Strange et al.	220/283
2012/0067009	A1 *	3/2012	Bontrager et al.	53/467

* cited by examiner

Primary Examiner — Thomas Johannes

(74) *Attorney, Agent, or Firm* — Fliesler Meyer LLP

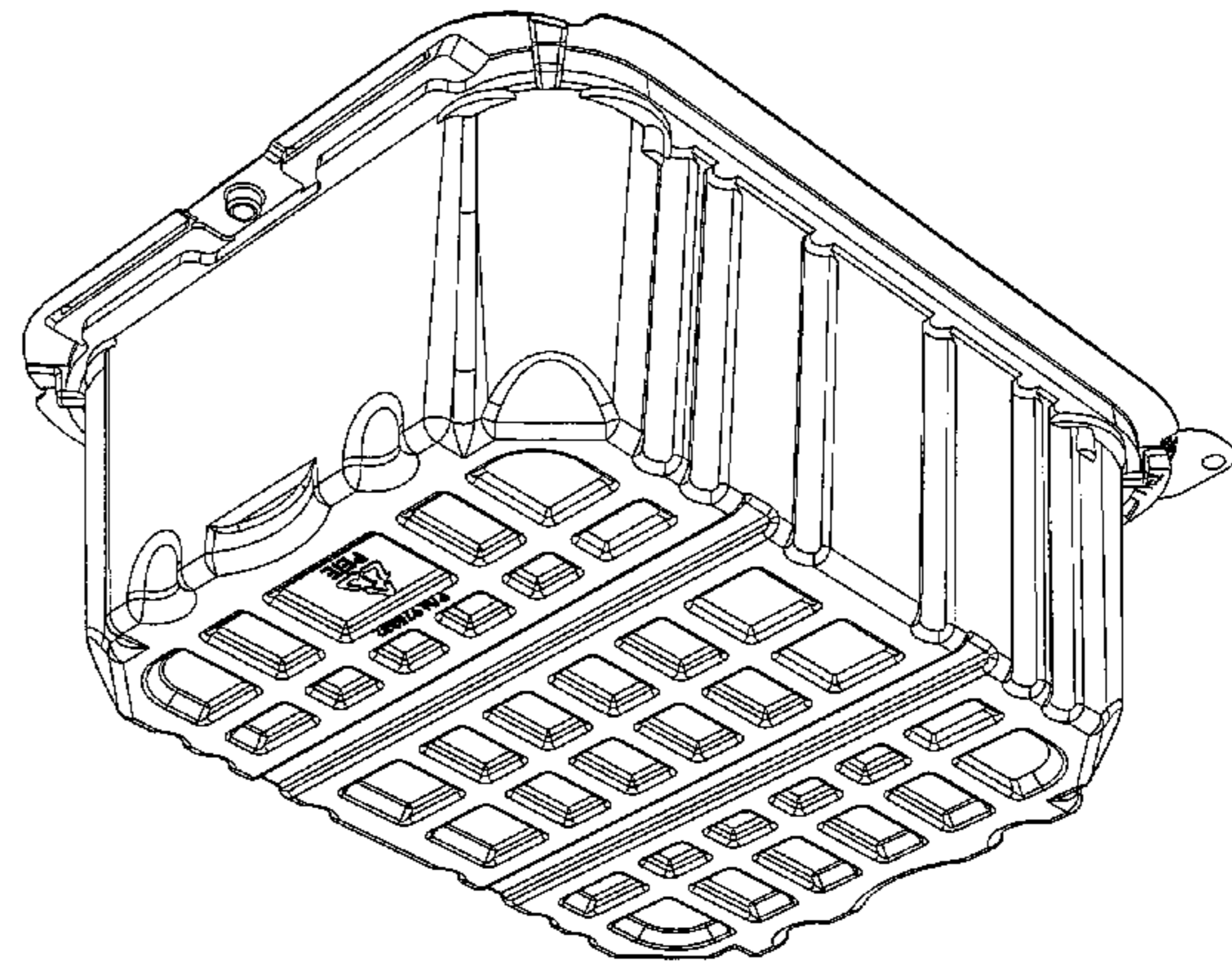
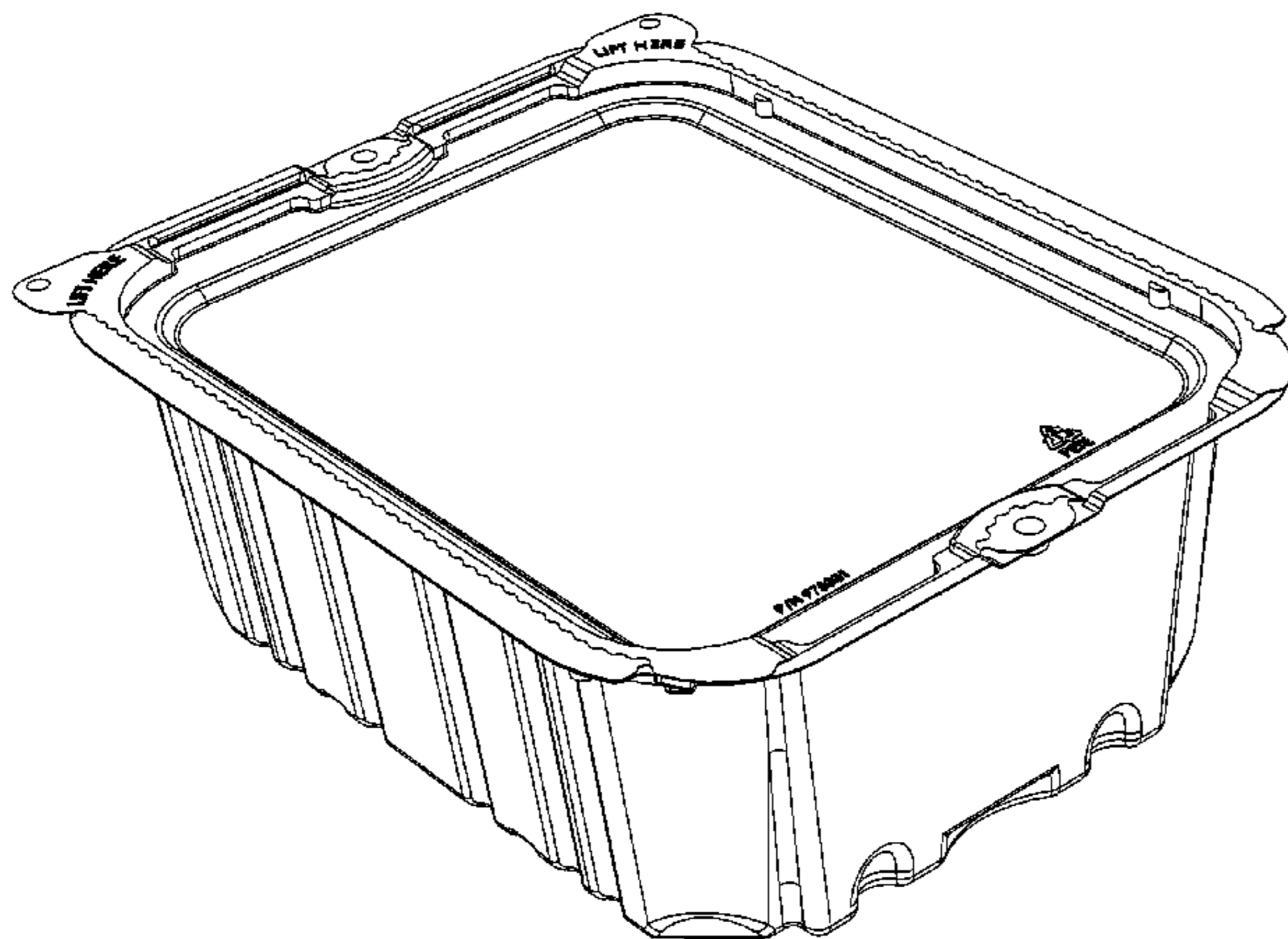
(57) **CLAIM**

The ornamental design for a container, as shown and described.

DESCRIPTION

FIG. 1 is a top perspective view of a container showing our new design;
FIG. 2 is an opposite end top perspective view thereof;
FIG. 3 is a bottom perspective view thereof;
FIG. 4 is an opposite end bottom perspective view thereof;
FIG. 5 is a side view thereof, the opposite side being a mirror image;
FIG. 6 is a bottom view thereof;
FIG. 7 is a top view thereof; and,
FIG. 8 is an end view thereof.

1 Claim, 8 Drawing Sheets



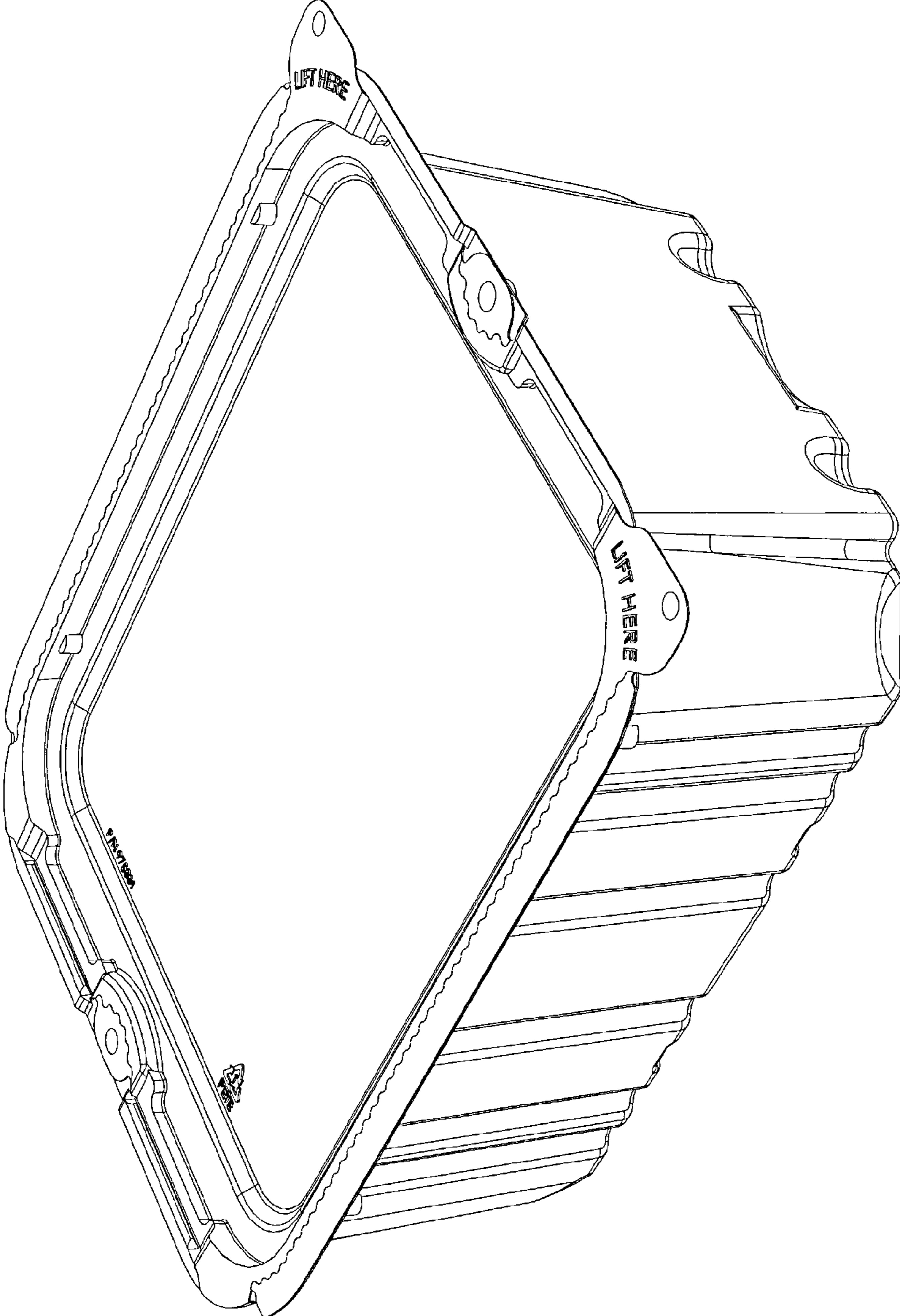


FIG. 1

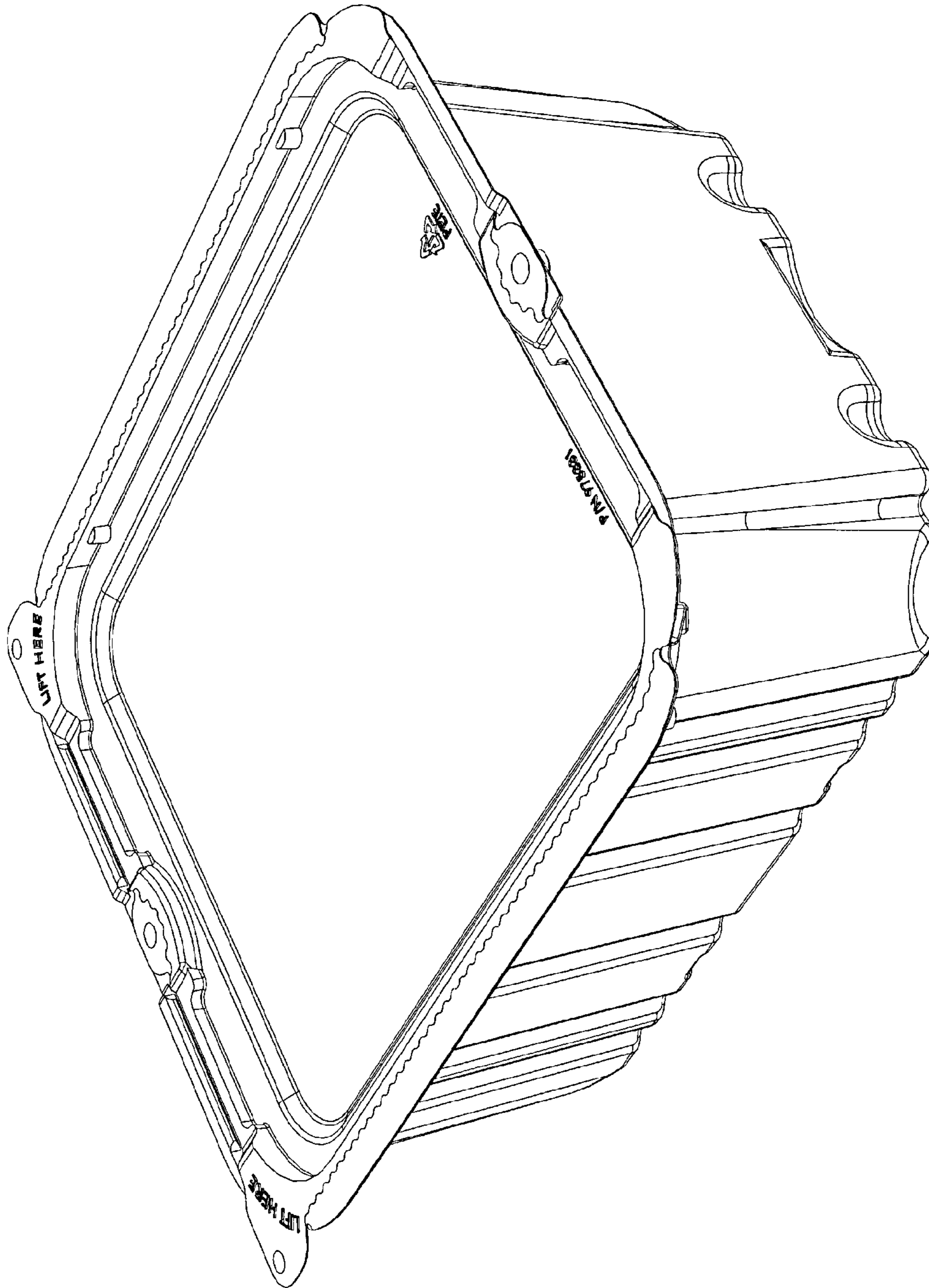


FIG. 2

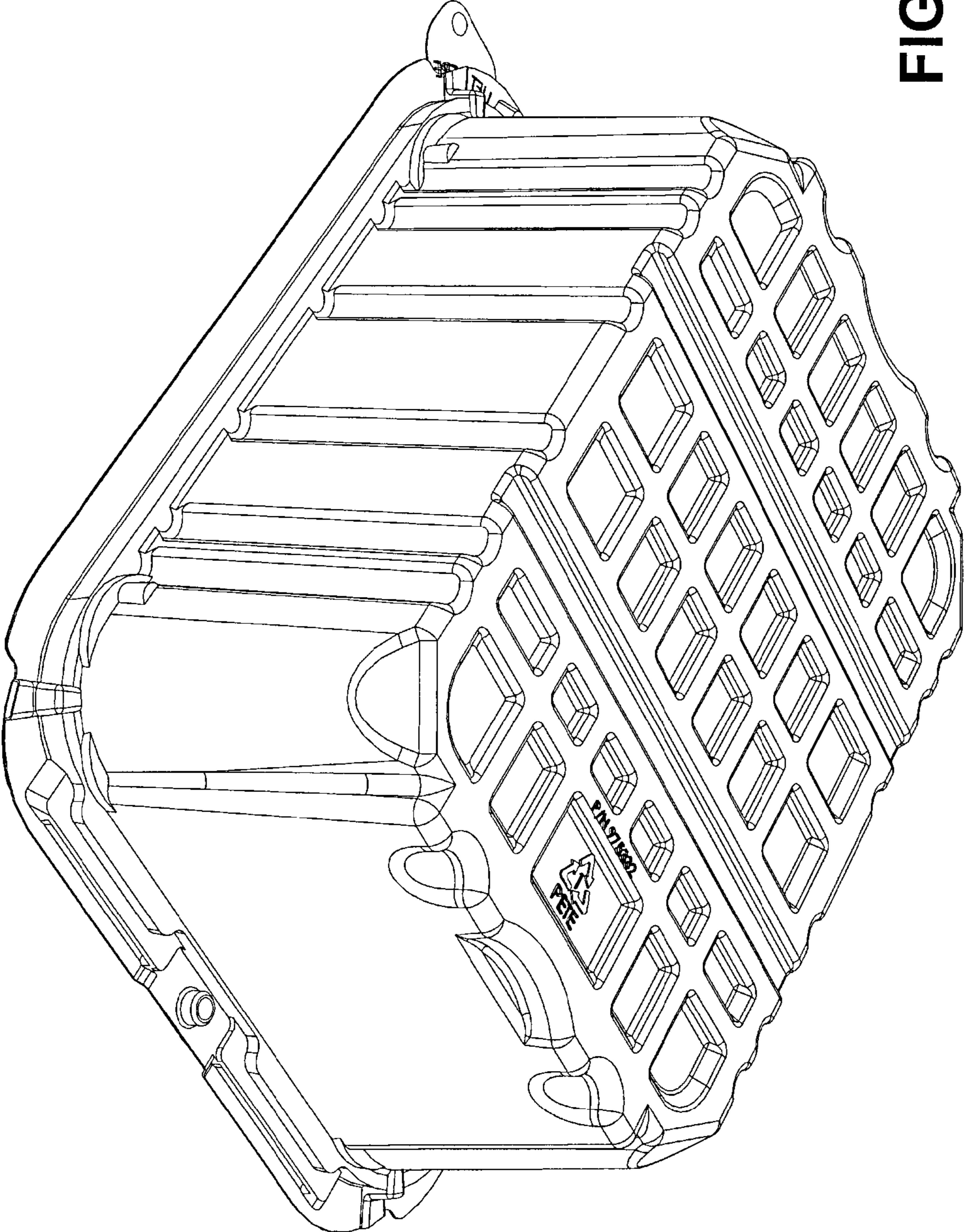


FIG. 3

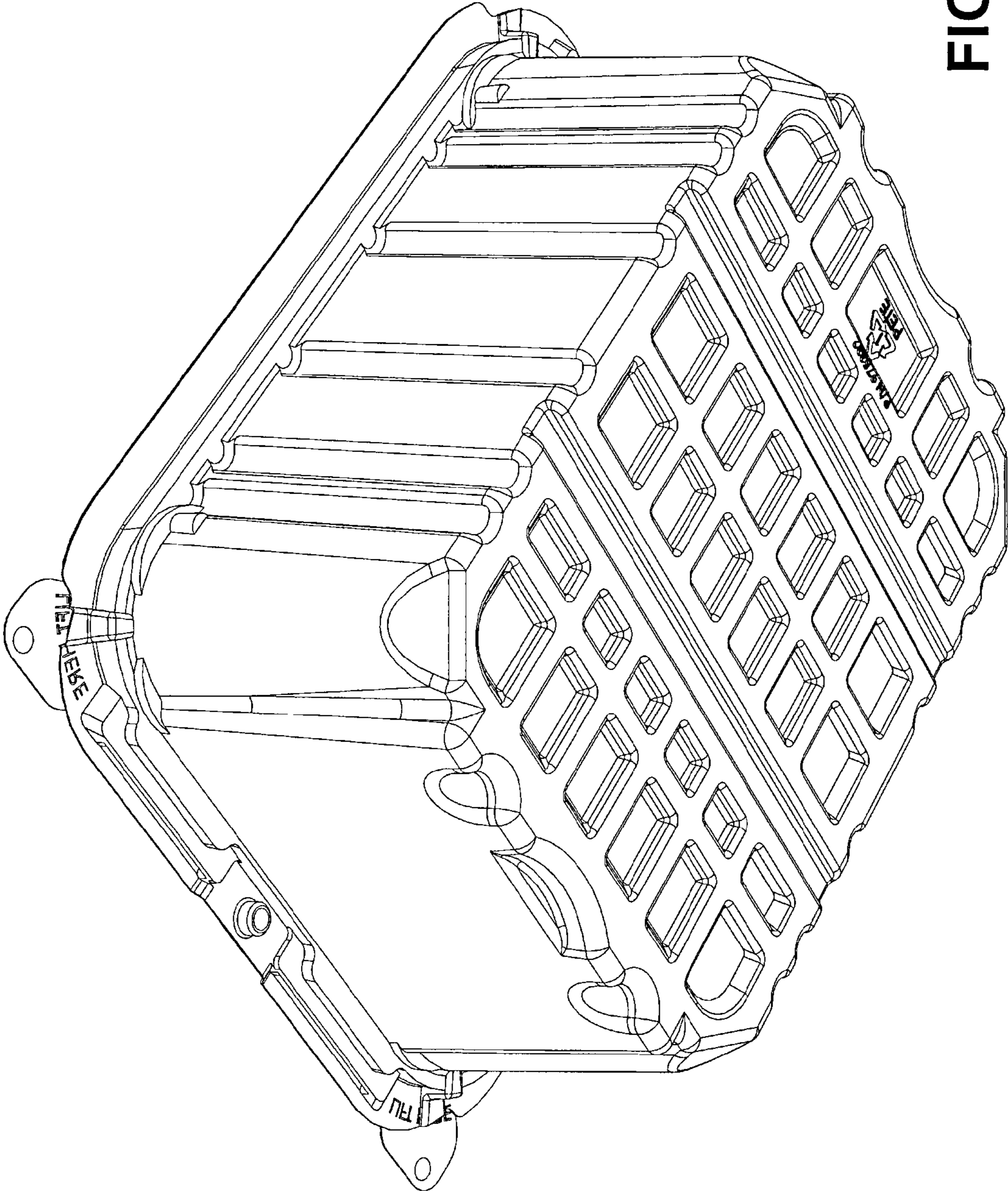


FIG. 4

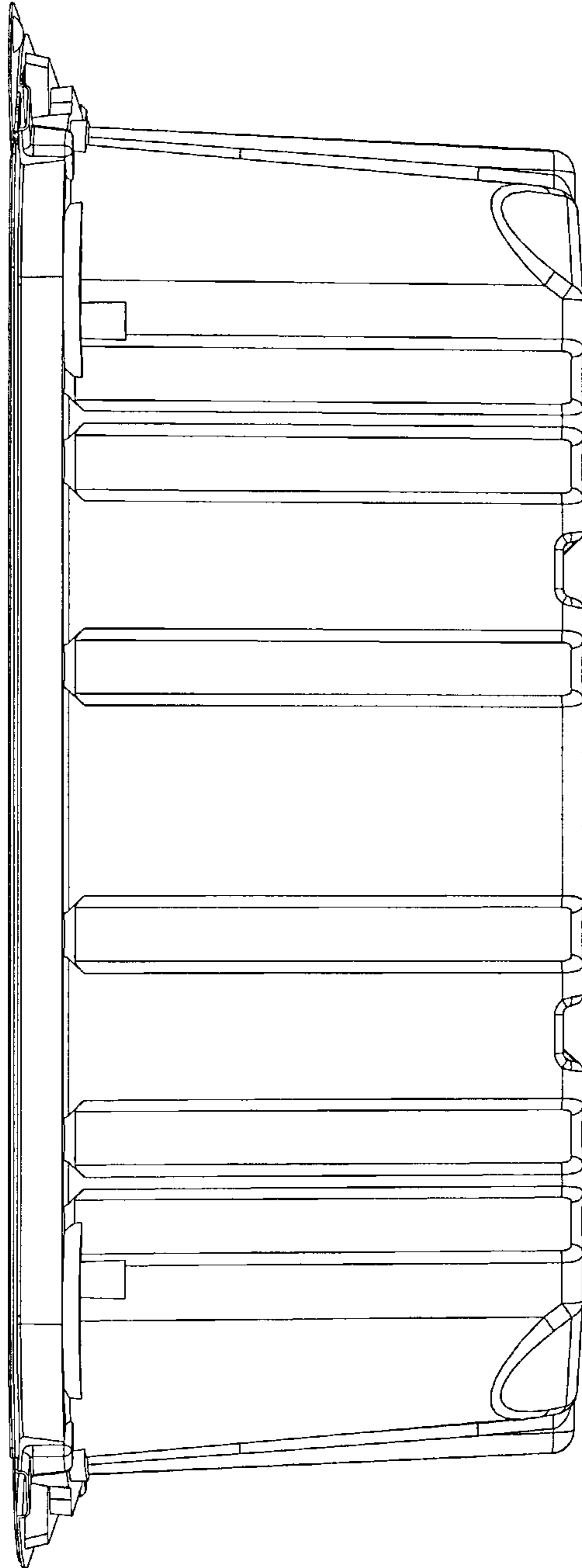


FIG. 5

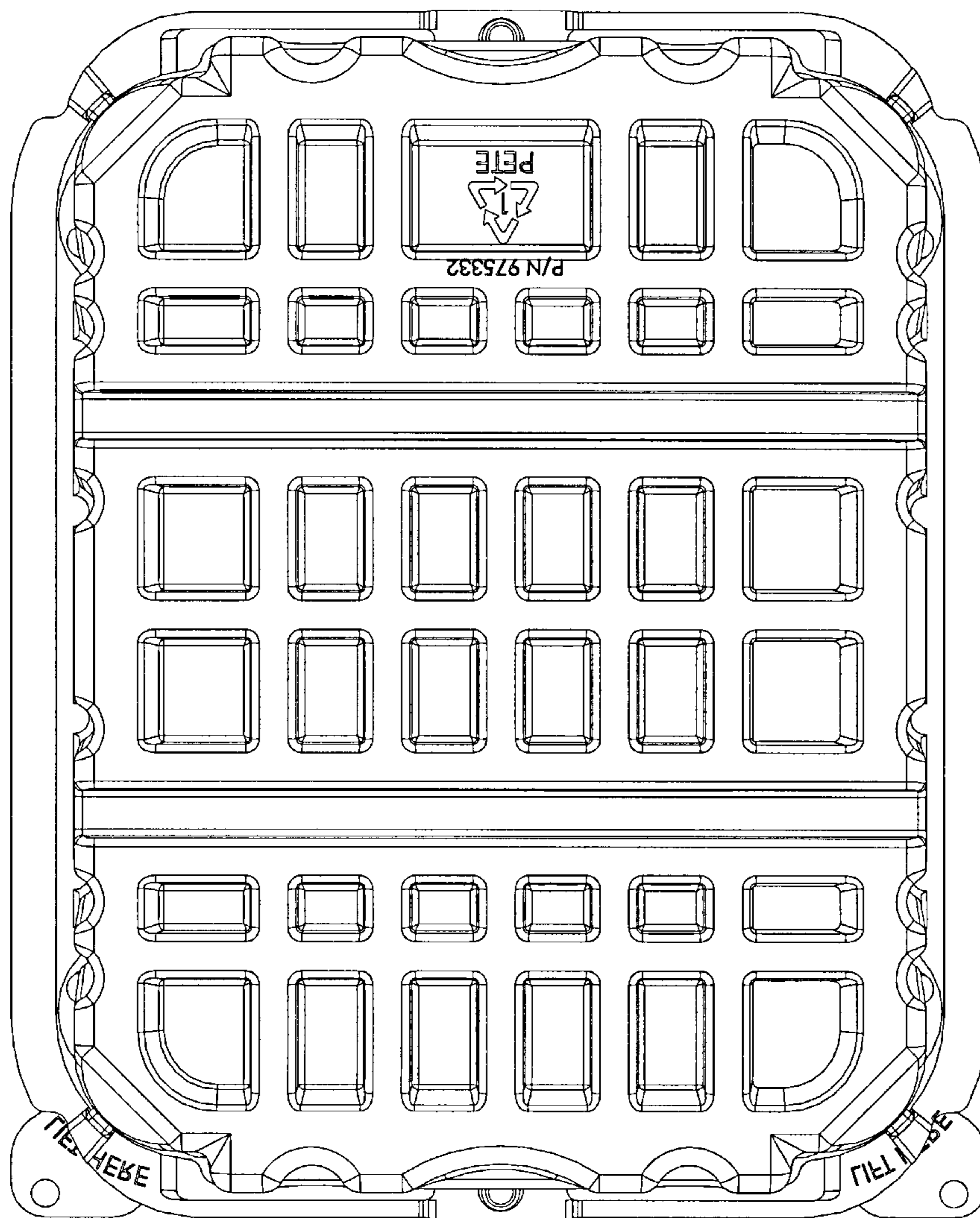


FIG. 6

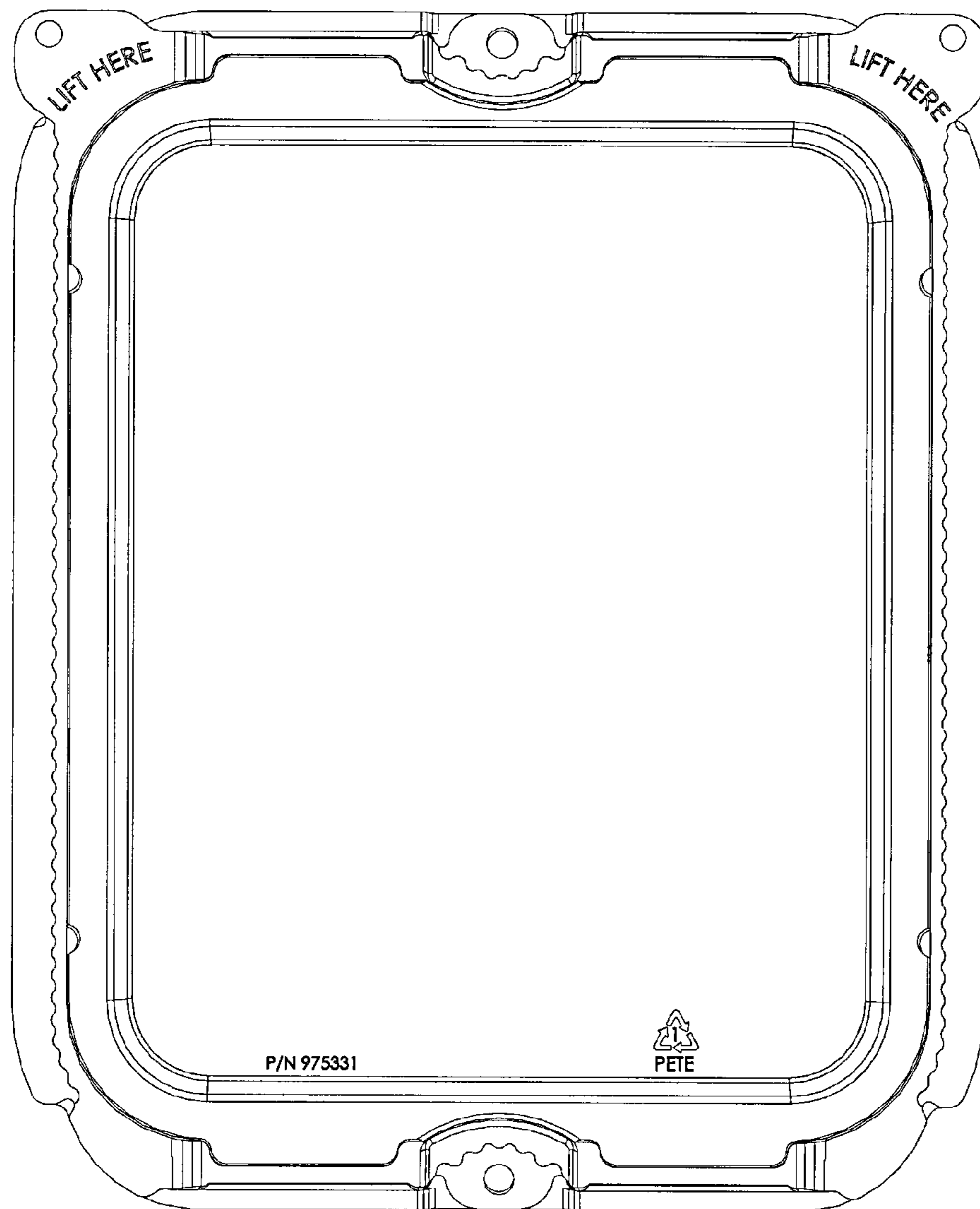


FIG. 7

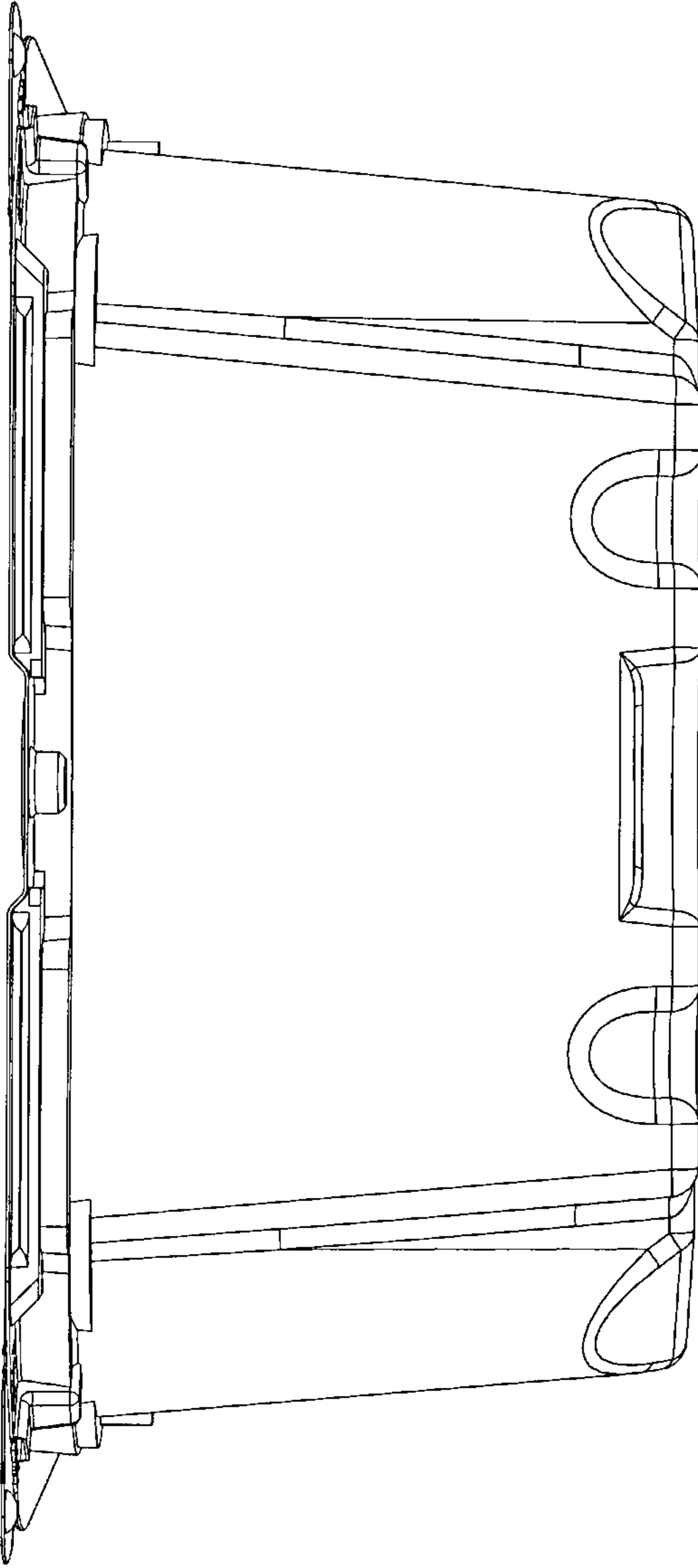


FIG. 8