



US00D693670S

(12) **United States Design Patent**
van Landsveld et al.

(10) **Patent No.:** **US D693,670 S**

(45) **Date of Patent:** **** Nov. 19, 2013**

(54) **CIGARETTE PACK**

(75) Inventors: **Mies van Landsveld**, Bristol (GB);
Slavomir Novak, Hamburg (DE)

(73) Assignee: **Imperial Tobacco Limited**, Bristol (GB)

(**) Term: **14 Years**

(21) Appl. No.: **29/420,423**

(22) Filed: **May 9, 2012**

(30) **Foreign Application Priority Data**

Nov. 9, 2011 (EM) 001 301 089

(51) **LOC (9) Cl.** **09-03**

(52) **U.S. Cl.**
USPC **D9/423**

(58) **Field of Classification Search**
USPC D9/420, 423, 425, 430, 432;
206/236-242, 245, 249-251, 254-259,
206/261-275; 229/101, 125.21, 125.37,
229/145, 212, 225, 160.1; D27/185-192
See application file for complete search history.

(56) **References Cited**

U.S. PATENT DOCUMENTS

D448,888 S * 10/2001 Focke et al. D27/189
D510,777 S * 10/2005 Engel D27/189
D606,243 S * 12/2009 Steinkamp D27/189
D668,535 S * 10/2012 Collins D9/423

D675,917 S * 2/2013 Holford D9/423
D676,741 S * 2/2013 van Landsveld et al. D9/423
D681,445 S * 5/2013 van Landsveld et al. D9/423

OTHER PUBLICATIONS

U.S. Appl. No. 29/392,285, filed May 19, 2011, Steve Holloway et al.
U.S. Appl. No. 29/392,286, filed May 19, 2011, Steve Holloway et al.
U.S. Appl. No. 29/392,292, filed May 19, 2011, Steve Holloway et al.
U.S. Appl. No. 29/392,294, filed May 19, 2011, Steve Holloway et al.
U.S. Appl. No. 29/392,297, filed May 19, 2011, Steve Holloway et al.
U.S. Appl. No. 29/420,420, filed May 9, 2012, Mies van Landsfeld et al.
U.S. Appl. No. 29/420,422, filed May 9, 2012, Mies van Landsfeld et al.

* cited by examiner

Primary Examiner — Thomas Johannes

(74) *Attorney, Agent, or Firm* — Nixon & Vanderhye, PC

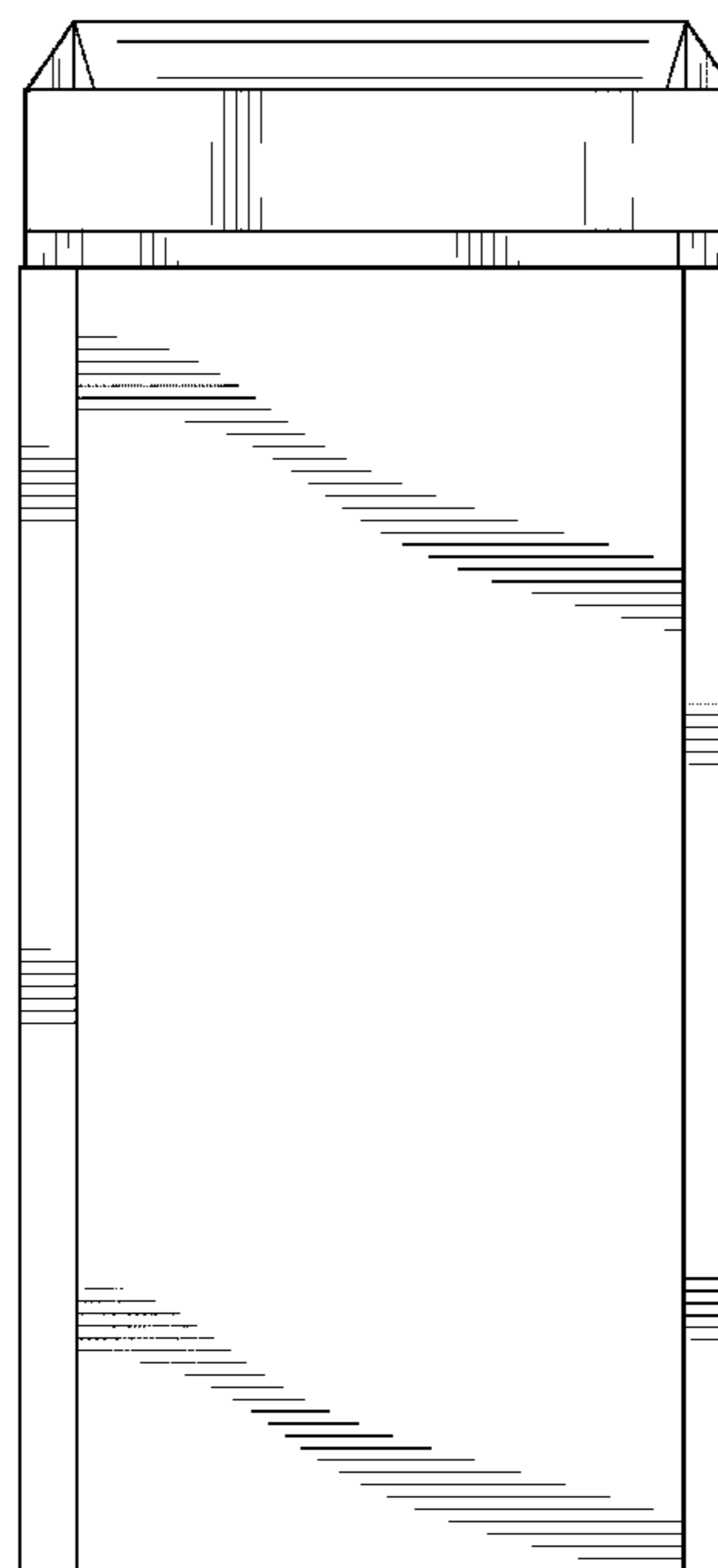
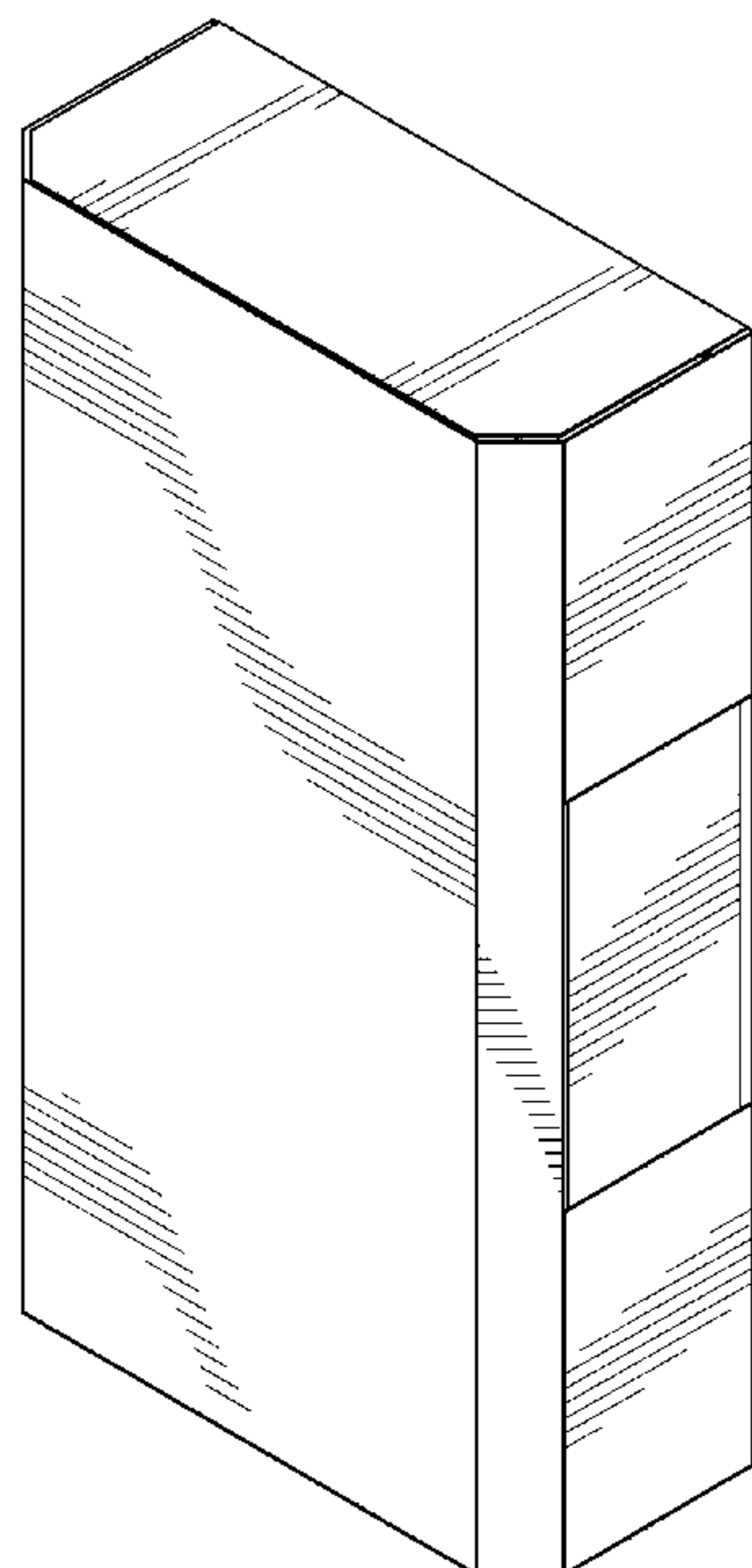
(57) **CLAIM**

The ornamental design for a cigarette pack, as shown and described.

DESCRIPTION

FIG. 1 is a front perspective view of a cigarette pack according to our new ornamental design, with lid closed;
FIG. 2 is a reverse perspective view thereof;
FIG. 3 is a front perspective view thereof, with lid open and inner shell protruding;
FIG. 4 is a front view thereof, with lid open and inner shell protruding;
FIG. 5 is a right side view thereof, with lid open and inner shell protruding;
FIG. 6 is a front view thereof, with lid closed; and,
FIG. 7 is a top view thereof.

1 Claim, 6 Drawing Sheets



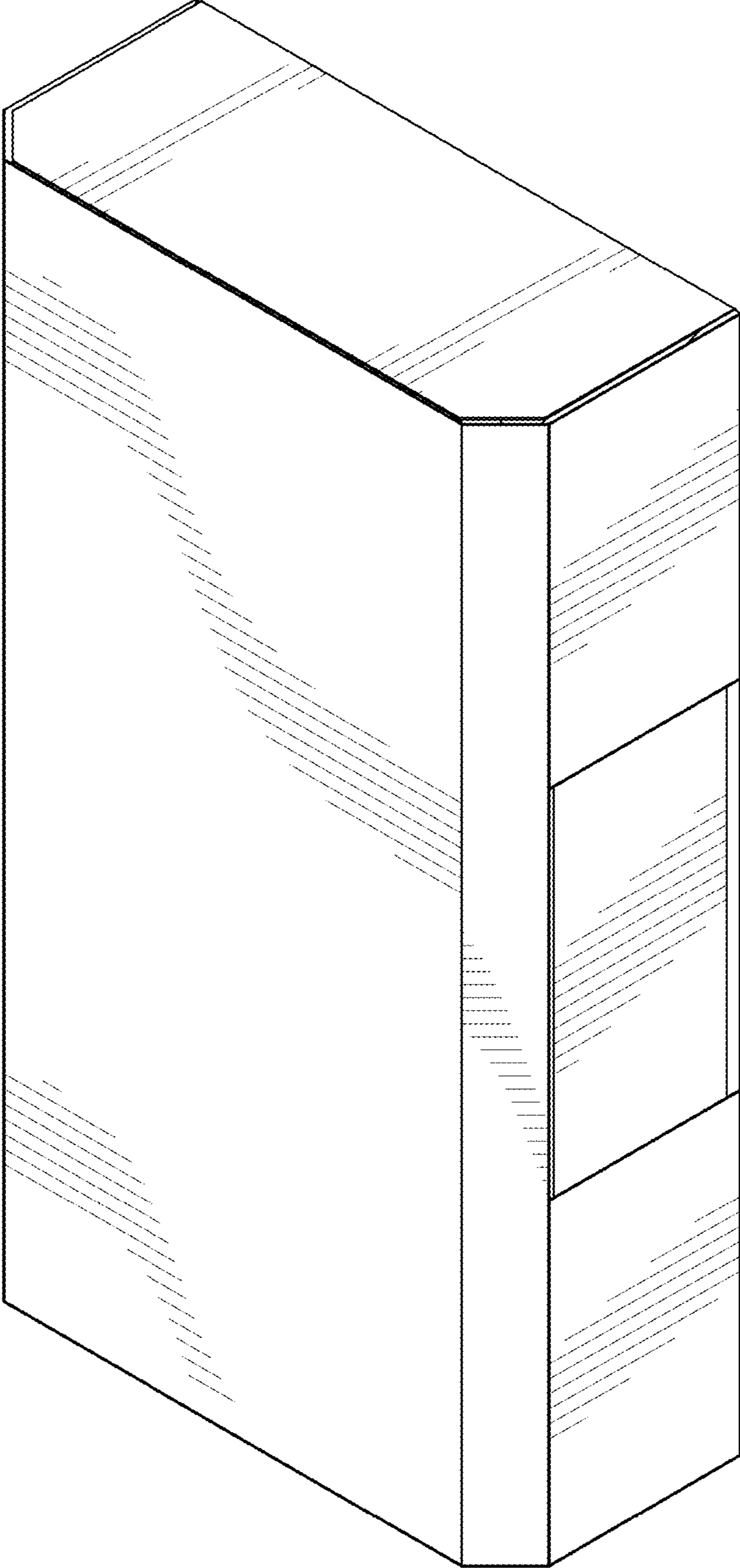


FIG. 1

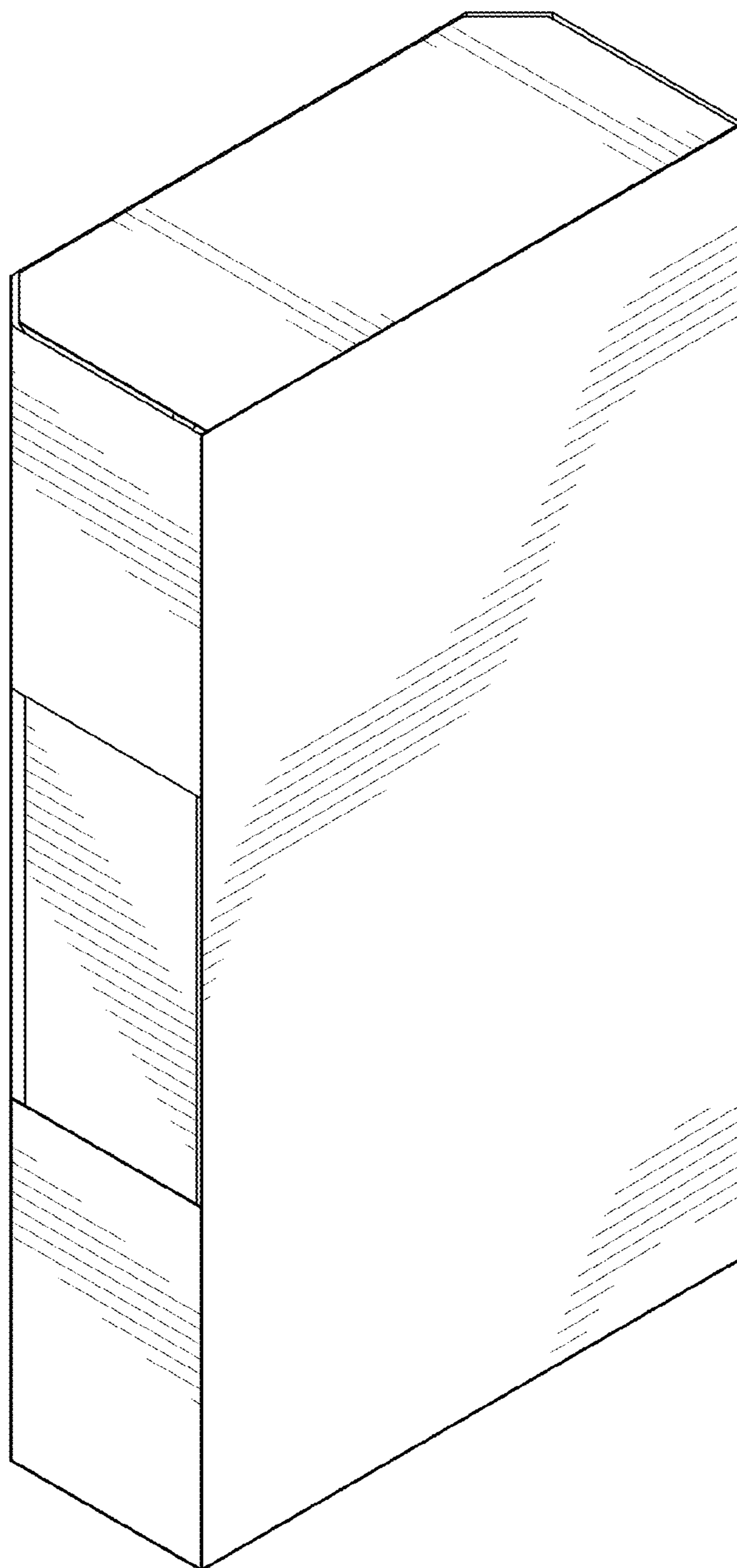


FIG. 2

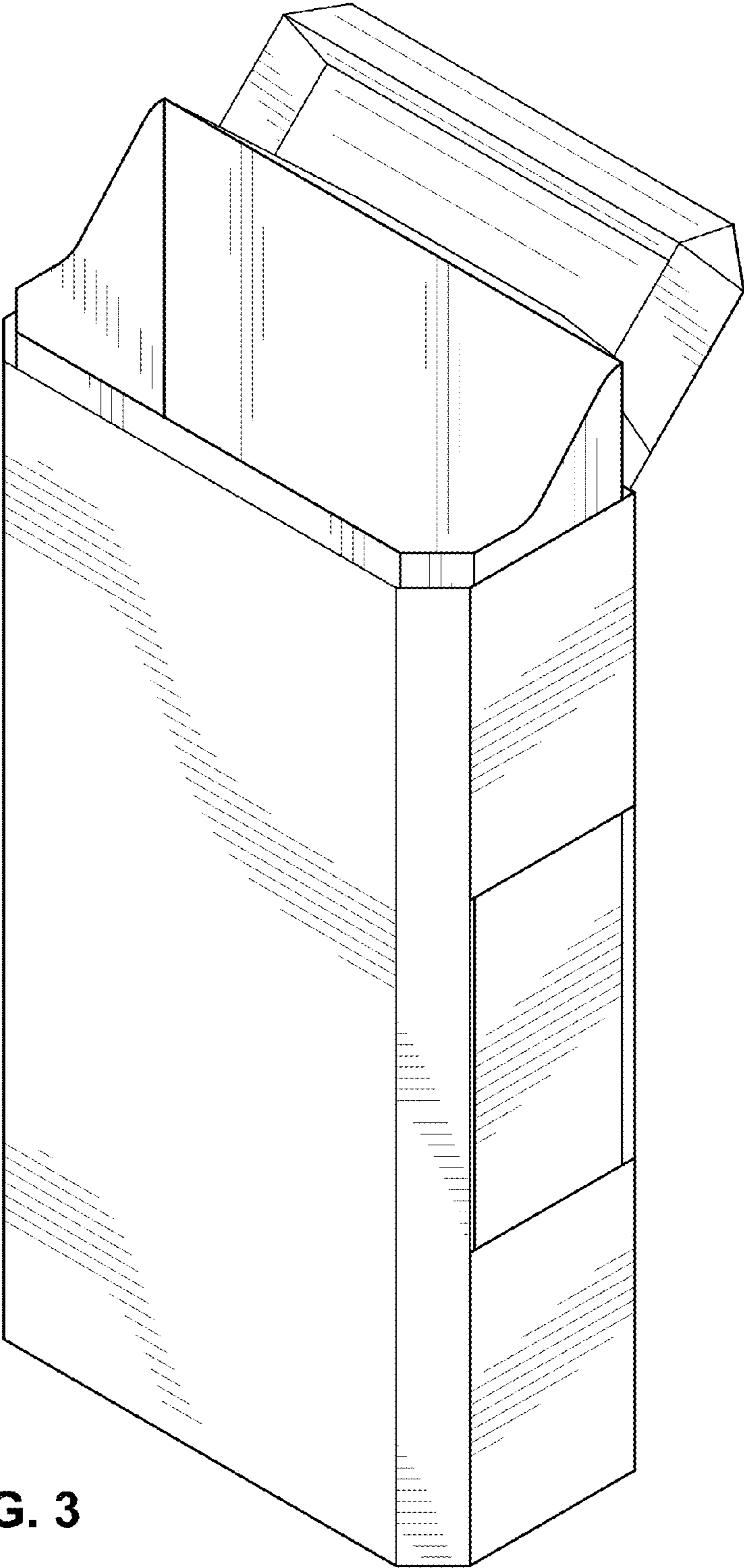


FIG. 3

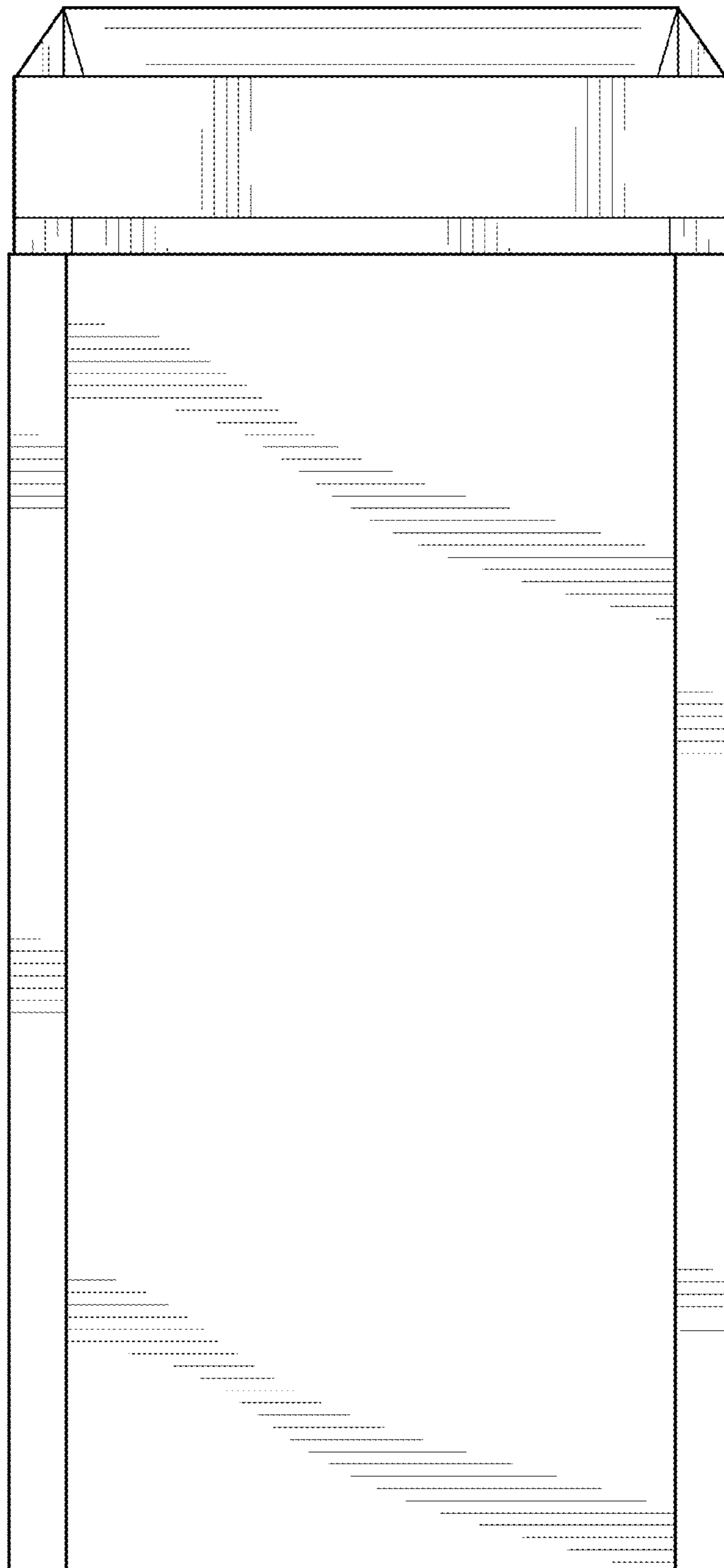


FIG. 4

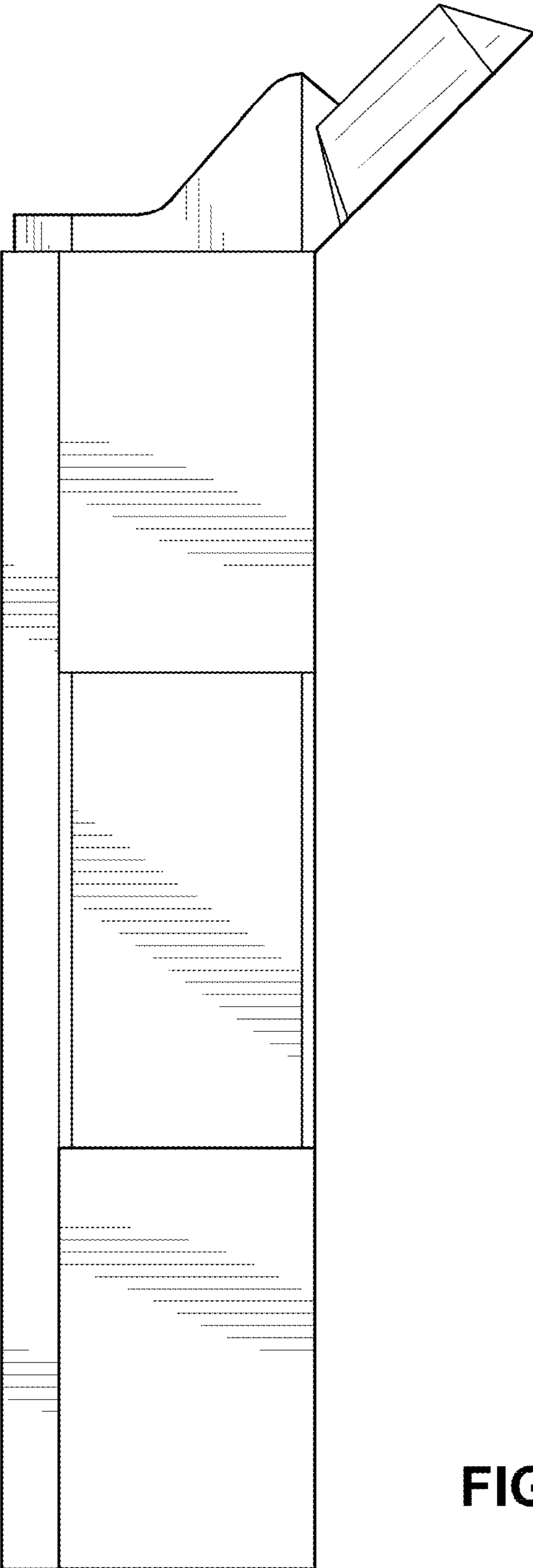


FIG. 5

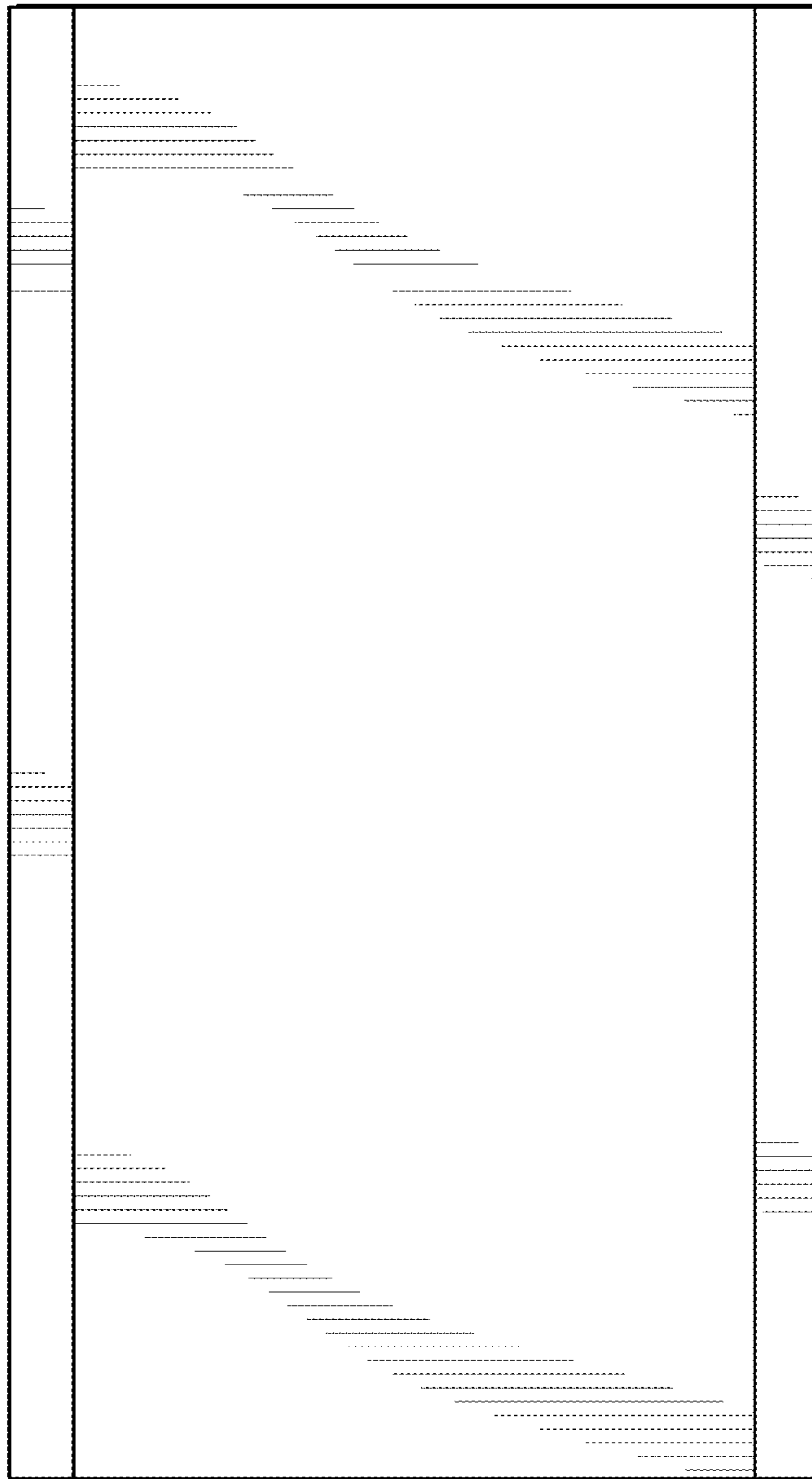


FIG. 6

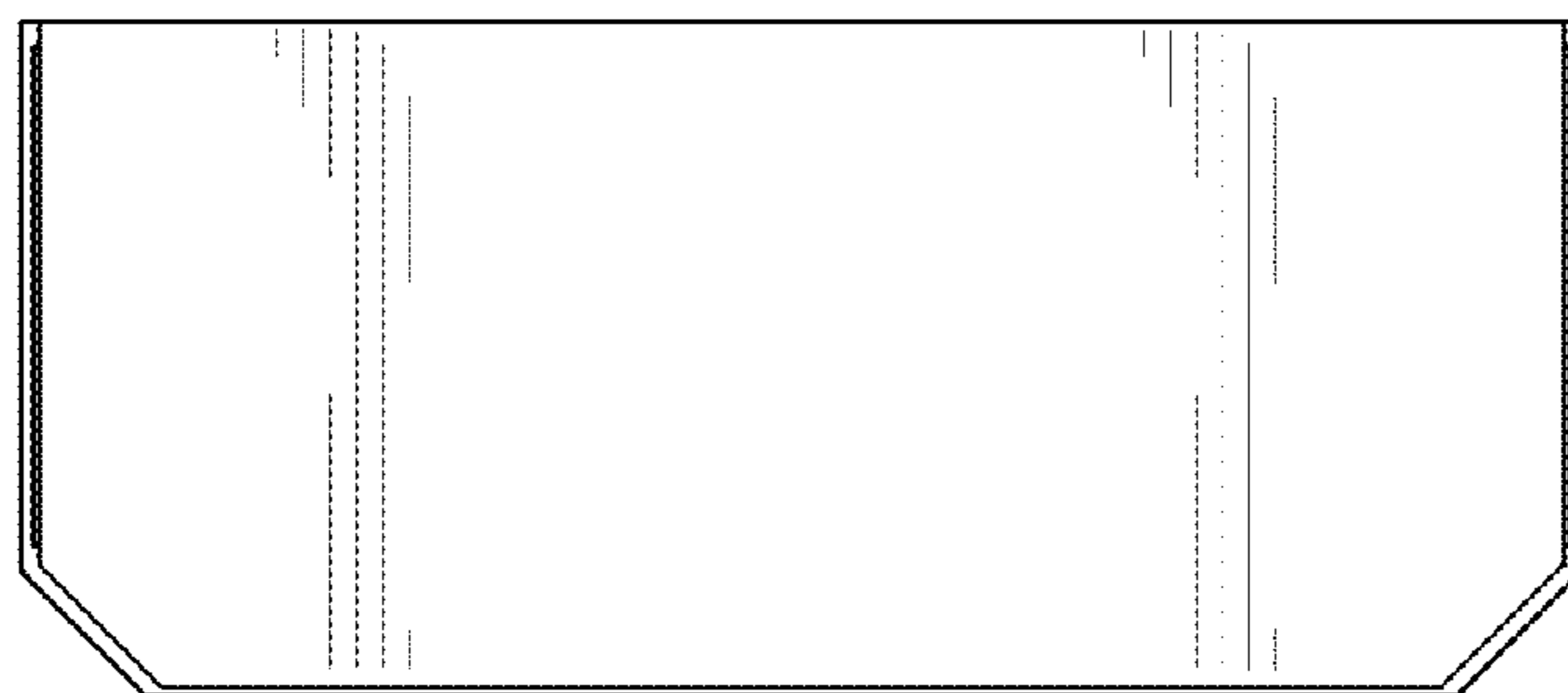


FIG. 7