



US00D693669S

(12) **United States Design Patent**
Kousens et al.

(10) **Patent No.:** **US D693,669 S**

(45) **Date of Patent:** **** Nov. 19, 2013**

(54) **FLOATING BARREL NUT**

(76) Inventors: **William Kousens**, El Cajon, CA (US);
Tam Nguyen, El Cajon, CA (US)

(**) Term: **14 Years**

(21) Appl. No.: **29/418,928**

(22) Filed: **Apr. 23, 2012**

(51) **LOC (9) Cl.** **08-08**

(52) **U.S. Cl.**
USPC **D8/397**

(58) **Field of Classification Search**

USPC D8/397, 394, 382, 399, 356, 354, 349,
D8/70; D15/140; 16/2.1; 220/575;
206/521.15; 24/302, 16 R, 306;
439/501; 381/374; D14/217, 205;
411/492, 432, 918, 179, 180; D23/262;
285/321; 403/114, 115, 145, 146;
81/177.7, 177.75, 177.85; 29/525.2,
29/592

See application file for complete search history.

(56) **References Cited**

U.S. PATENT DOCUMENTS

2,905,743 A * 9/1959 Sylvester 174/73.1
D276,411 S * 11/1984 Peroni D8/399
D284,834 S * 7/1986 Hoffstrom D8/394
D299,610 S * 1/1989 Watanabe D8/22
D302,277 S * 7/1989 Bishop D15/140

(Continued)

Primary Examiner — Cynthia Underwood

(74) *Attorney, Agent, or Firm* — Buche & Associates, P.C.;
John K. Buche

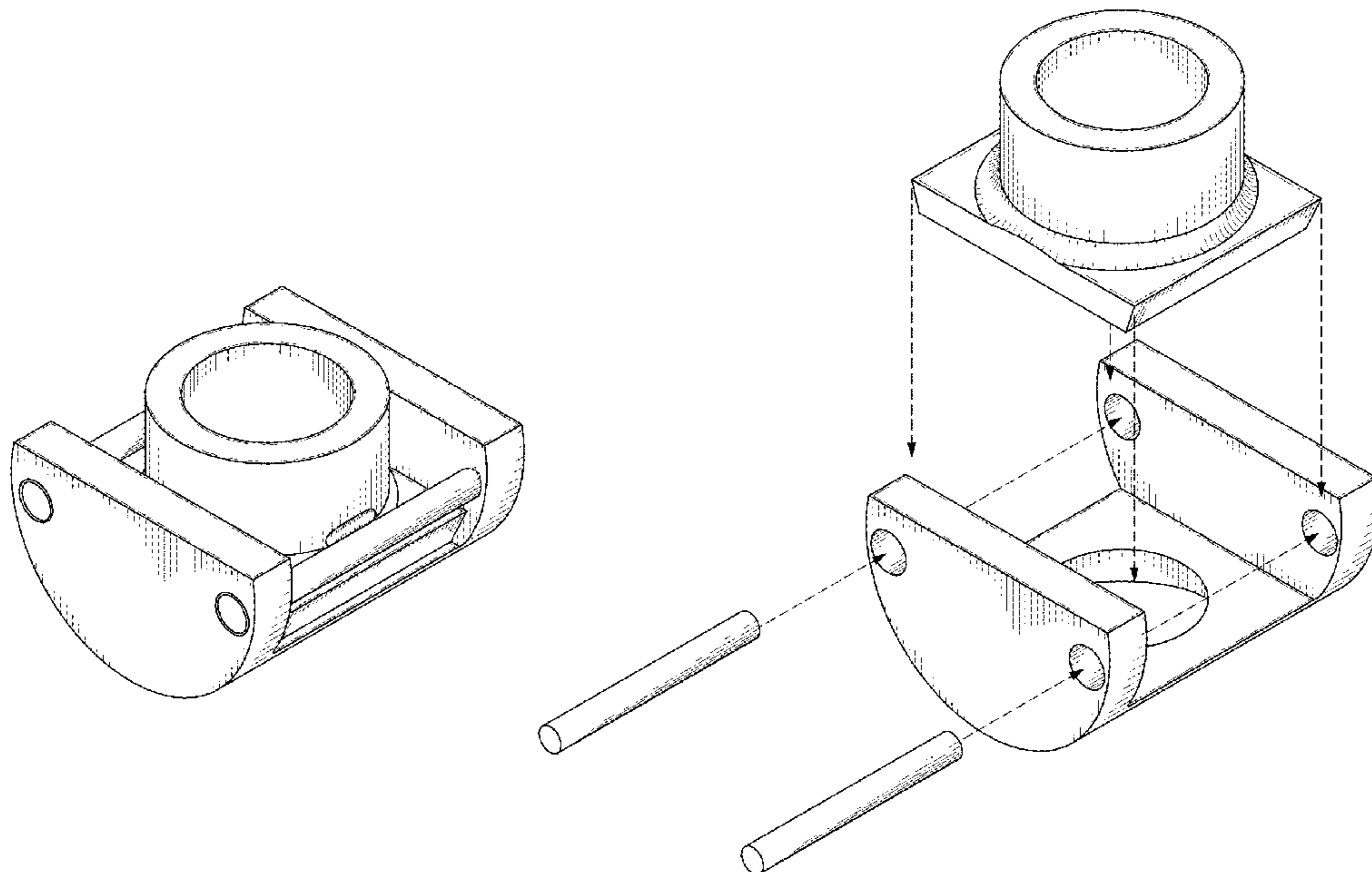
(57) **CLAIM**

We claim a floating barrel nut, as shown and described.

DESCRIPTION

FIG. 1 is a perspective view of a floating barrel nut;
FIG. 2 is a left side view of the floating barrel nut of FIG. 1;
FIG. 3 is a right side view of the floating barrel nut of FIG. 1;
FIG. 4 is a front side view of the floating barrel nut of FIG. 1;
FIG. 5 is a back side view of the floating barrel nut of FIG. 1;
FIG. 6 is top view of the floating barrel nut of FIG. 1;
FIG. 7 is a bottom view of the floating barrel nut of FIG. 1;
FIG. 8 is an exploded view of the floating barrel nut of FIG. 1;
FIG. 9 is a left side view of another floating barrel nut;
FIG. 10 is a right side view of the floating barrel nut of FIG. 9;
FIG. 11 is a front side view of the floating barrel nut of FIG. 9;
FIG. 12 is a back side view of the floating barrel nut of FIG. 9;
FIG. 13 is top view of the floating barrel nut of FIG. 9;
FIG. 14 is a bottom view of the floating barrel nut of FIG. 9;
and,
FIG. 15 is a perspective view of yet another floating barrel nut;
FIG. 16 is a left side view of the floating barrel nut of FIG. 15;
FIG. 17 is a right side view of the floating barrel nut of FIG. 15;
FIG. 18 is a front side view of the floating barrel nut of FIG. 15;
FIG. 19 is a back side view of the floating barrel nut of FIG. 15;
FIG. 20 is top view of the floating barrel nut of FIG. 15;
FIG. 21 is a bottom view of the floating barrel nut of FIG. 15;
and,
FIG. 22 is an exploded view of the floating barrel nut of FIG. 15.

1 Claim, 8 Drawing Sheets



(56)

References Cited

U.S. PATENT DOCUMENTS

D534,934 S * 1/2007 Bernhardt D15/140
D535,671 S * 1/2007 Bernhardt D15/140
D538,315 S * 3/2007 Bernhardt D15/140
D539,129 S * 3/2007 Griffiths D8/382

D544,550 S * 6/2007 Hageman D21/497
D552,640 S * 10/2007 Bernhardt D15/140
D647,787 S * 11/2011 Duval D8/394
D674,686 S * 1/2013 Starke D8/399
D675,513 S * 2/2013 Sawa et al. D8/397
2013/0185895 A1 * 7/2013 Daniel et al. 16/2.1

* cited by examiner

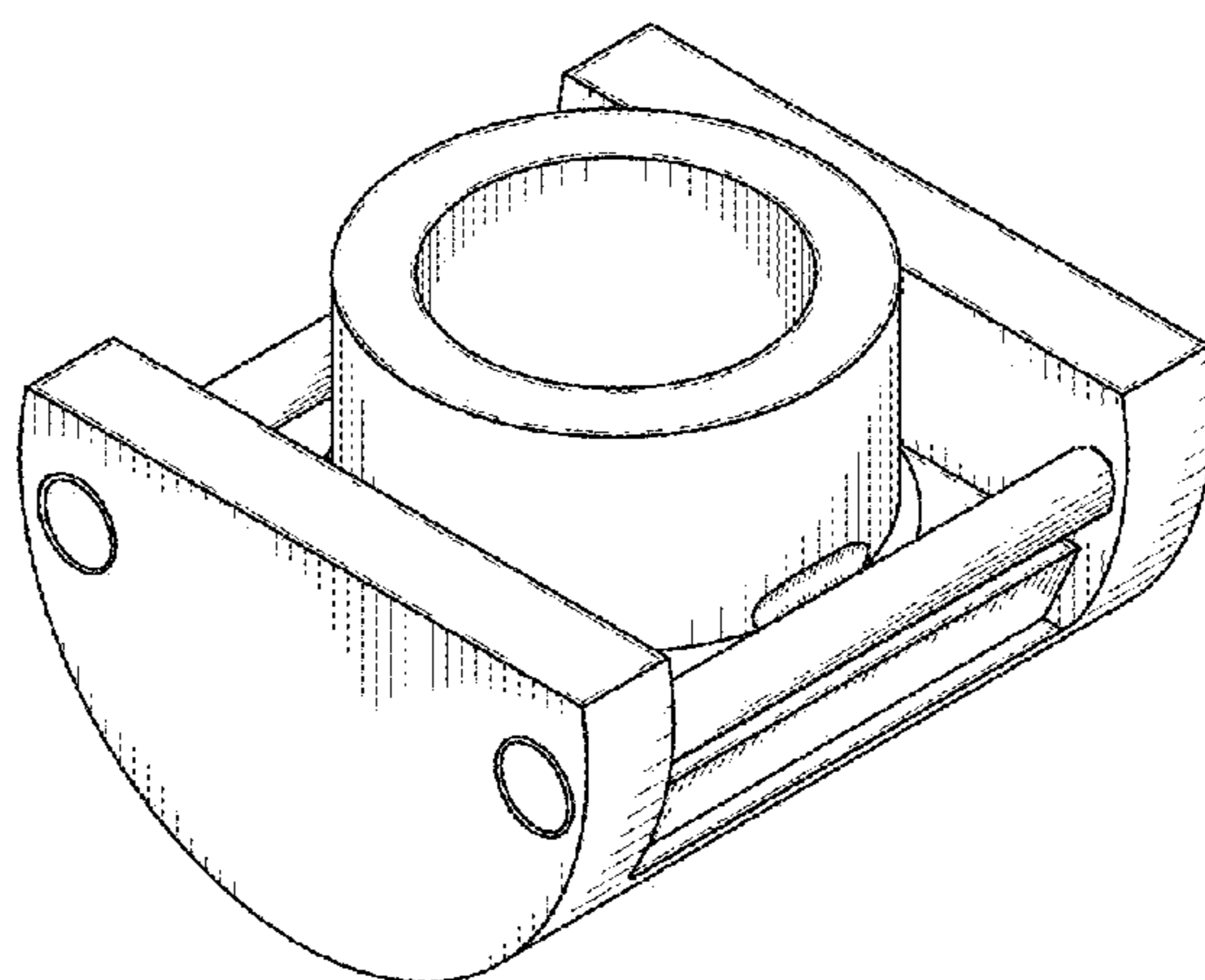


FIG. 1

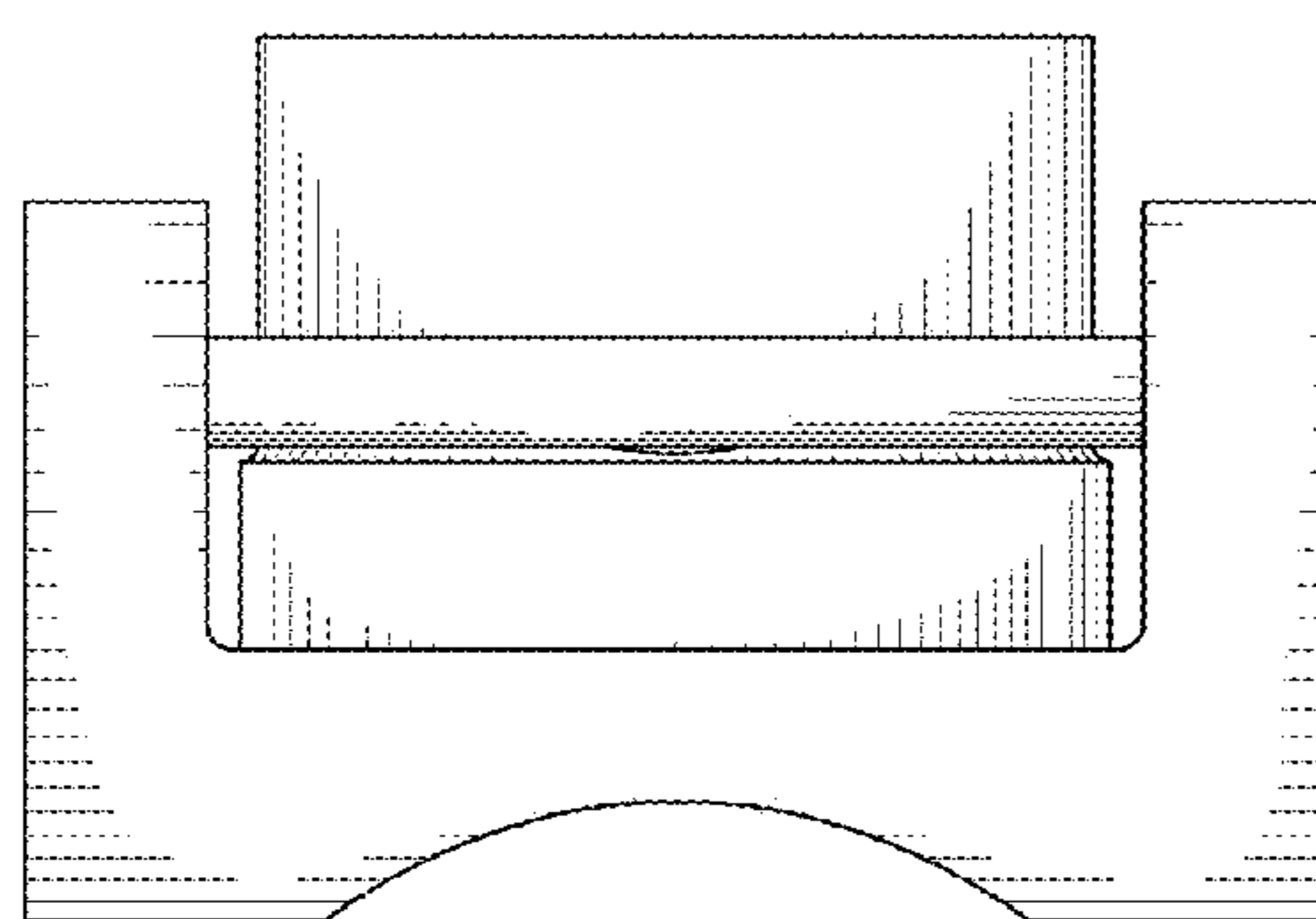


FIG. 2

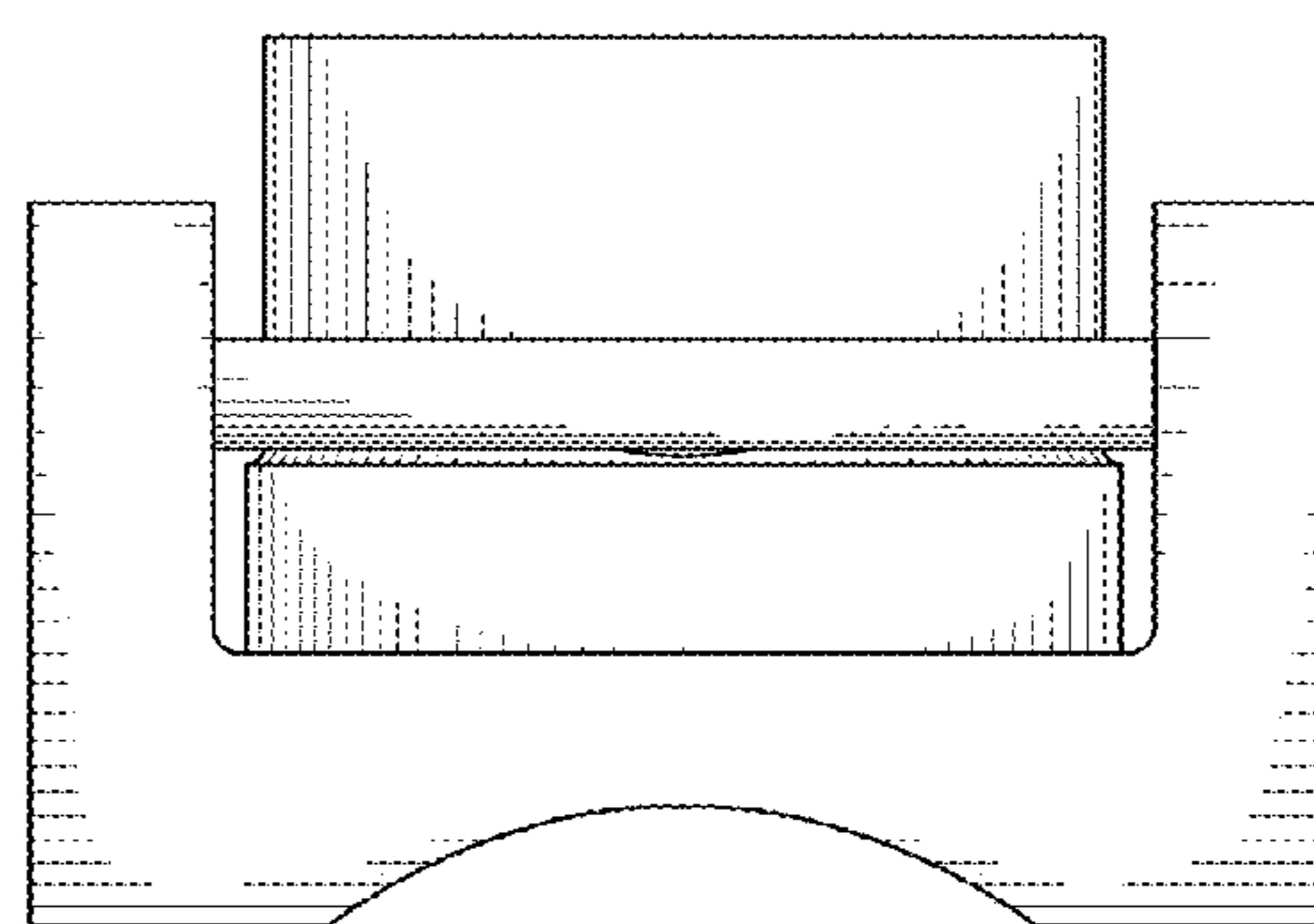


FIG. 3

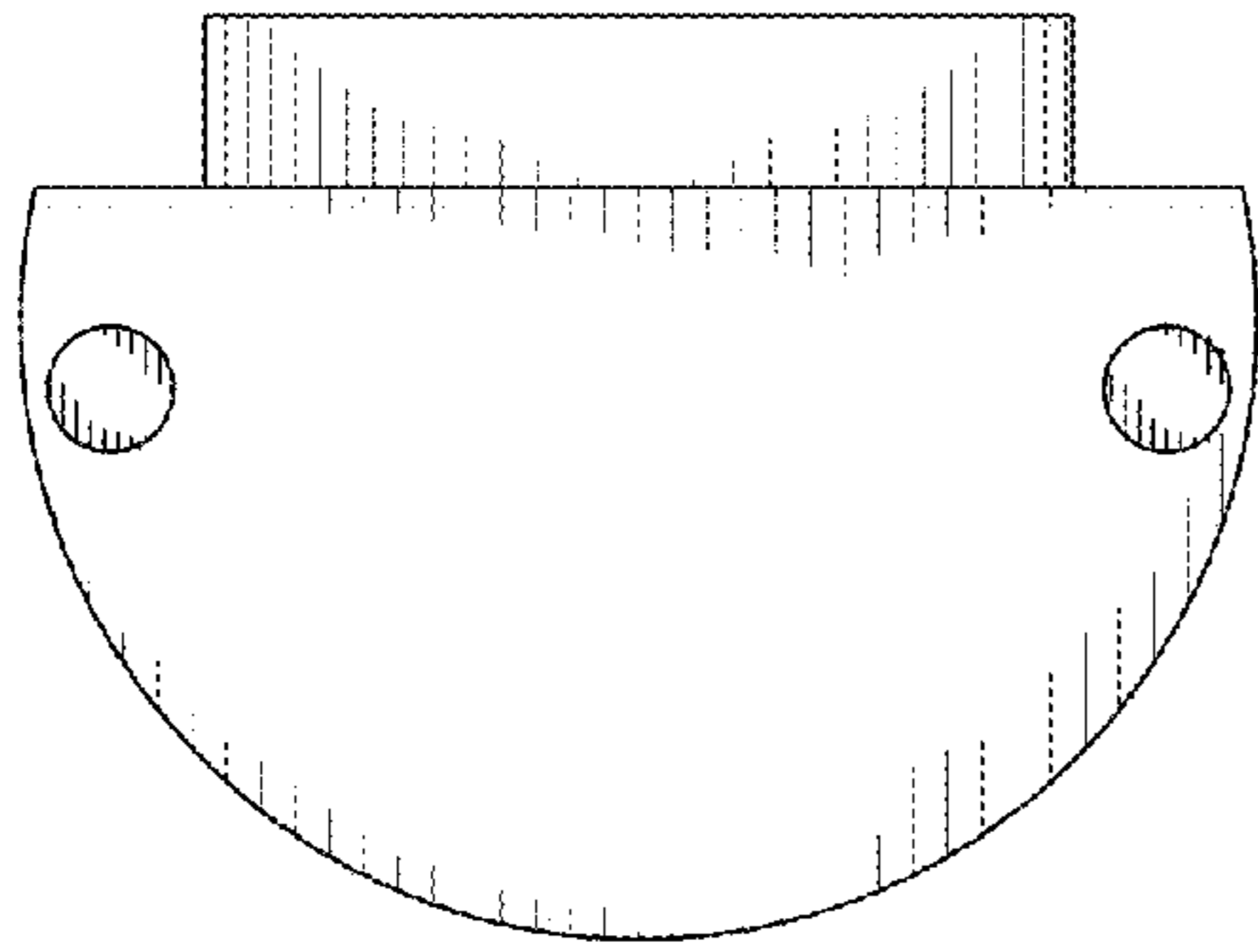


FIG. 4

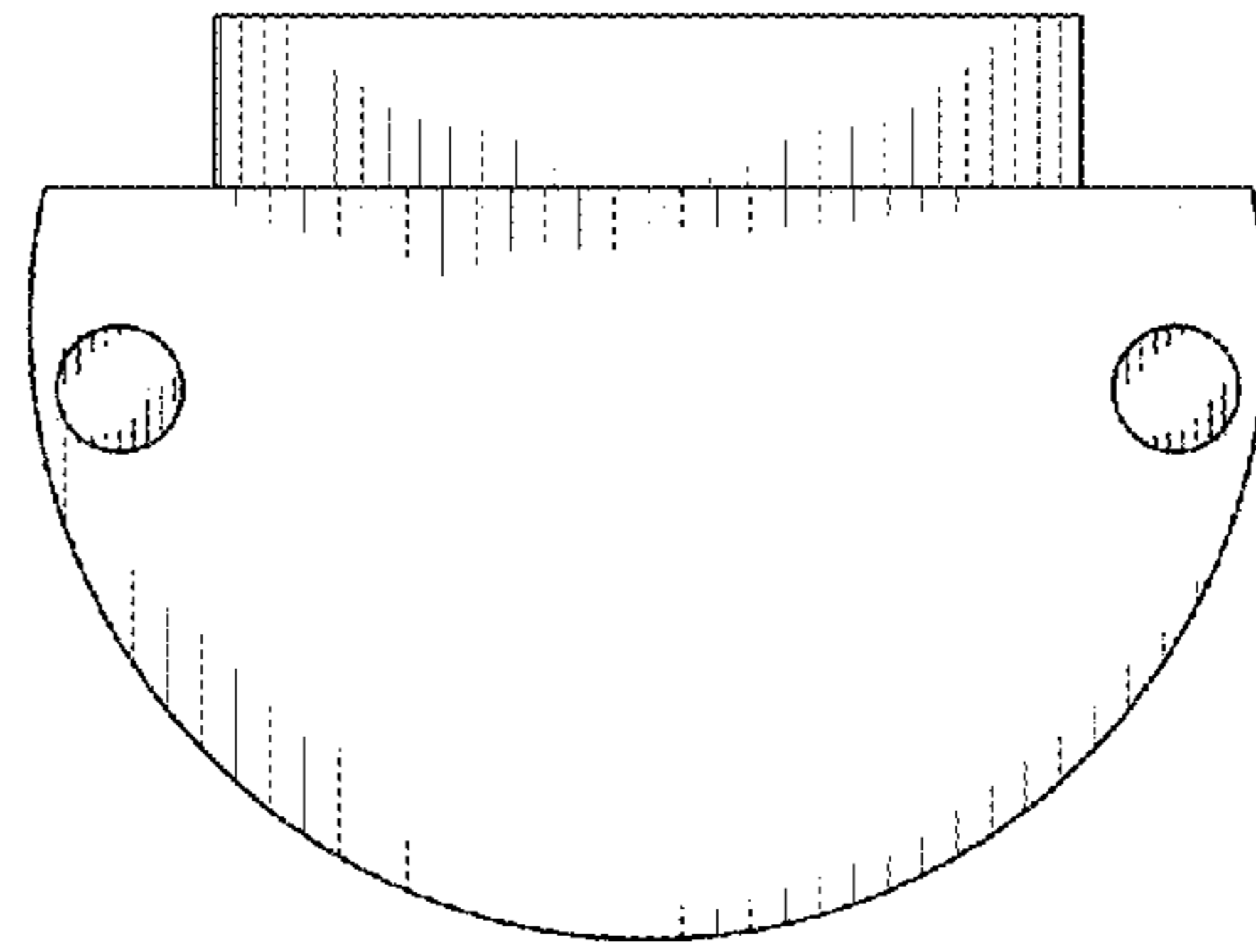


FIG. 5

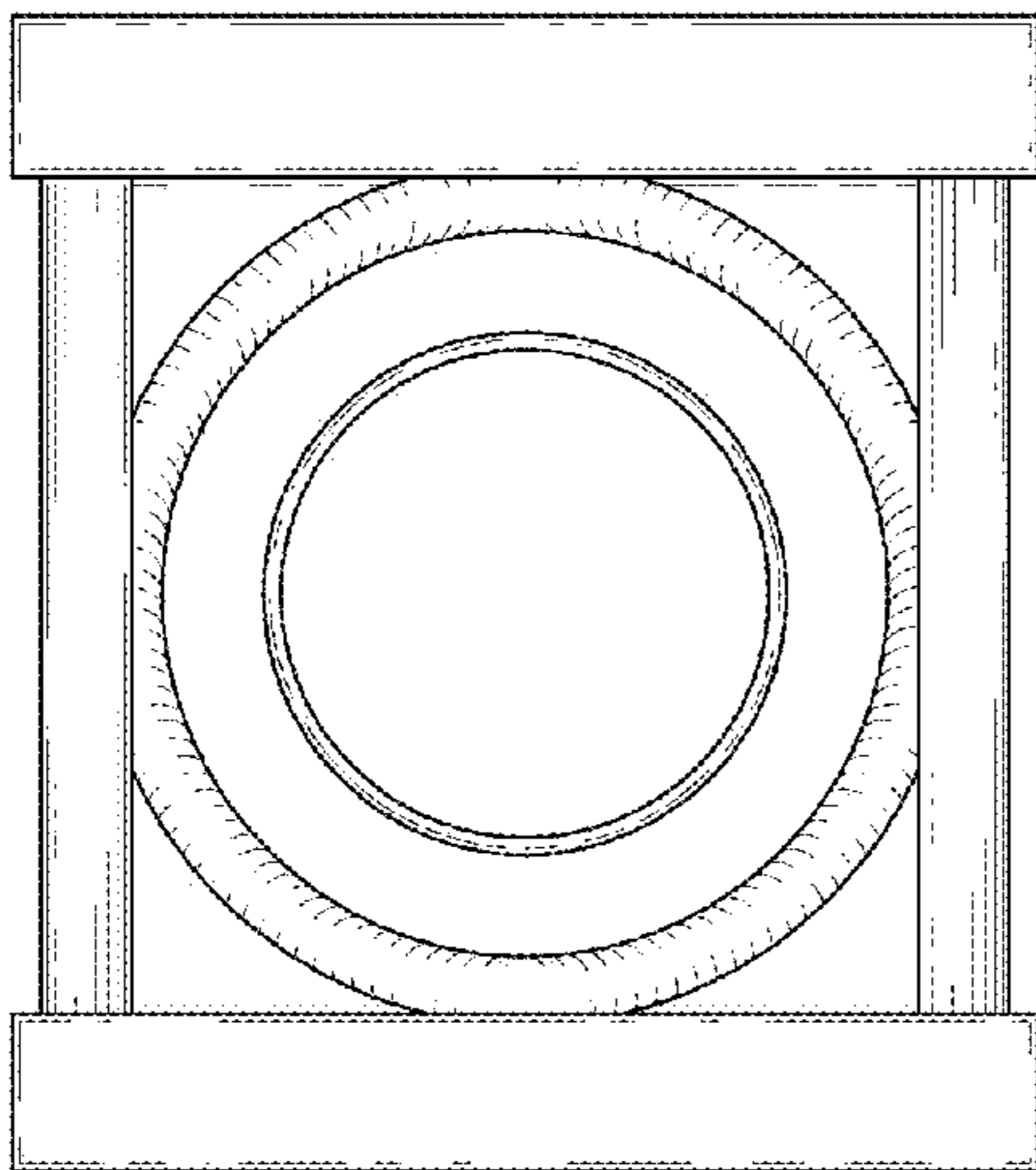


FIG. 6

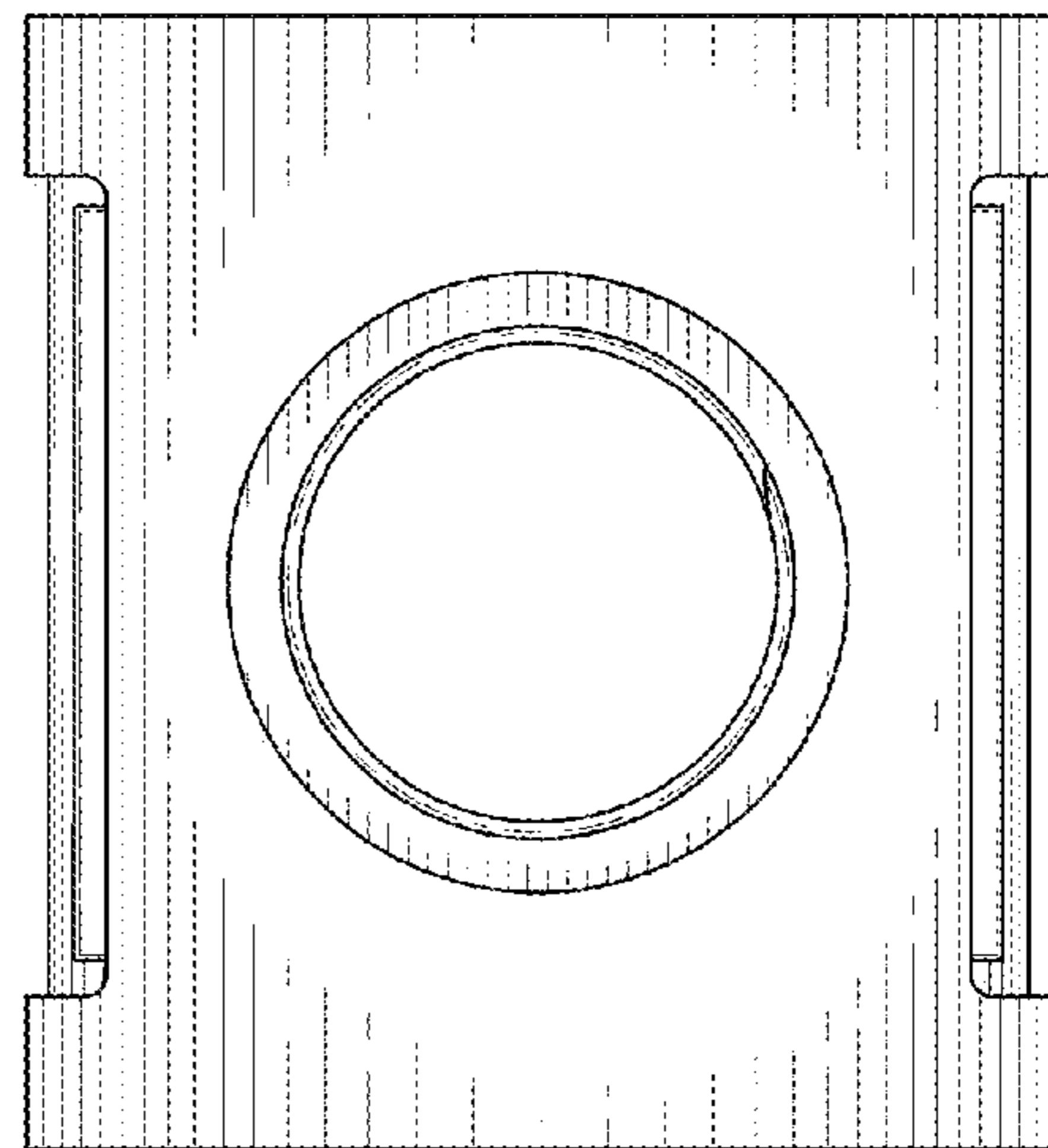


FIG. 7

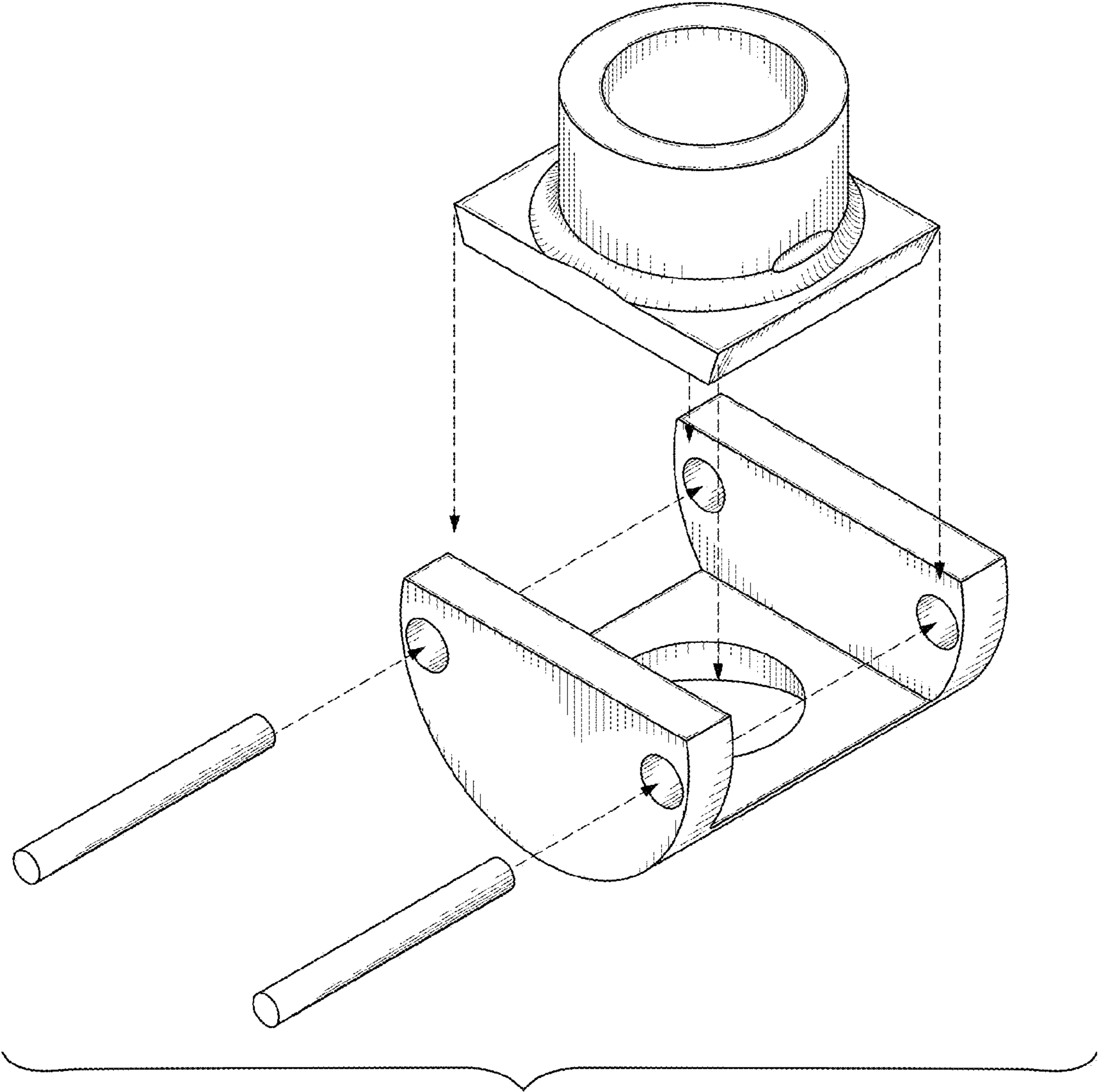


FIG. 8

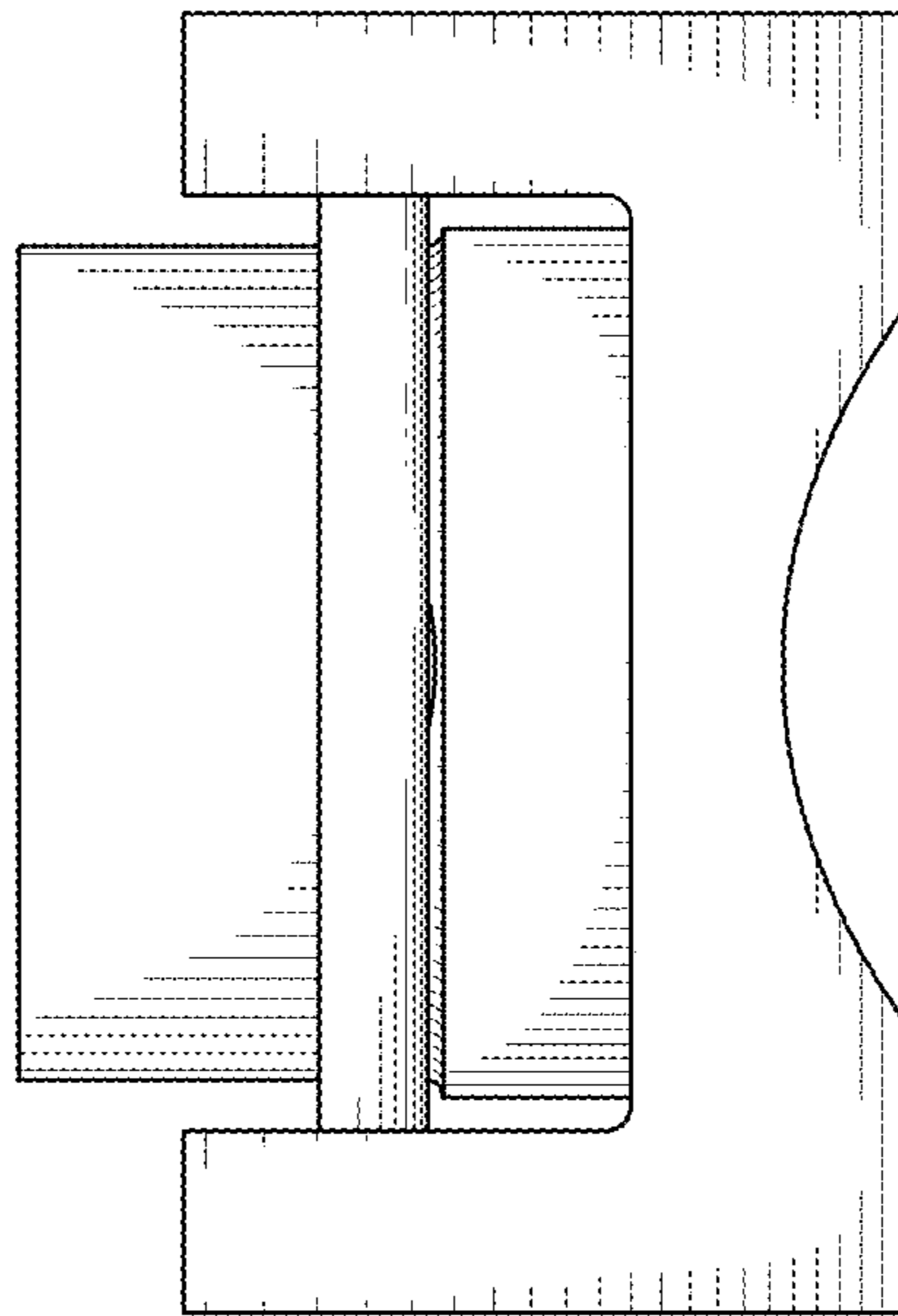


FIG. 10

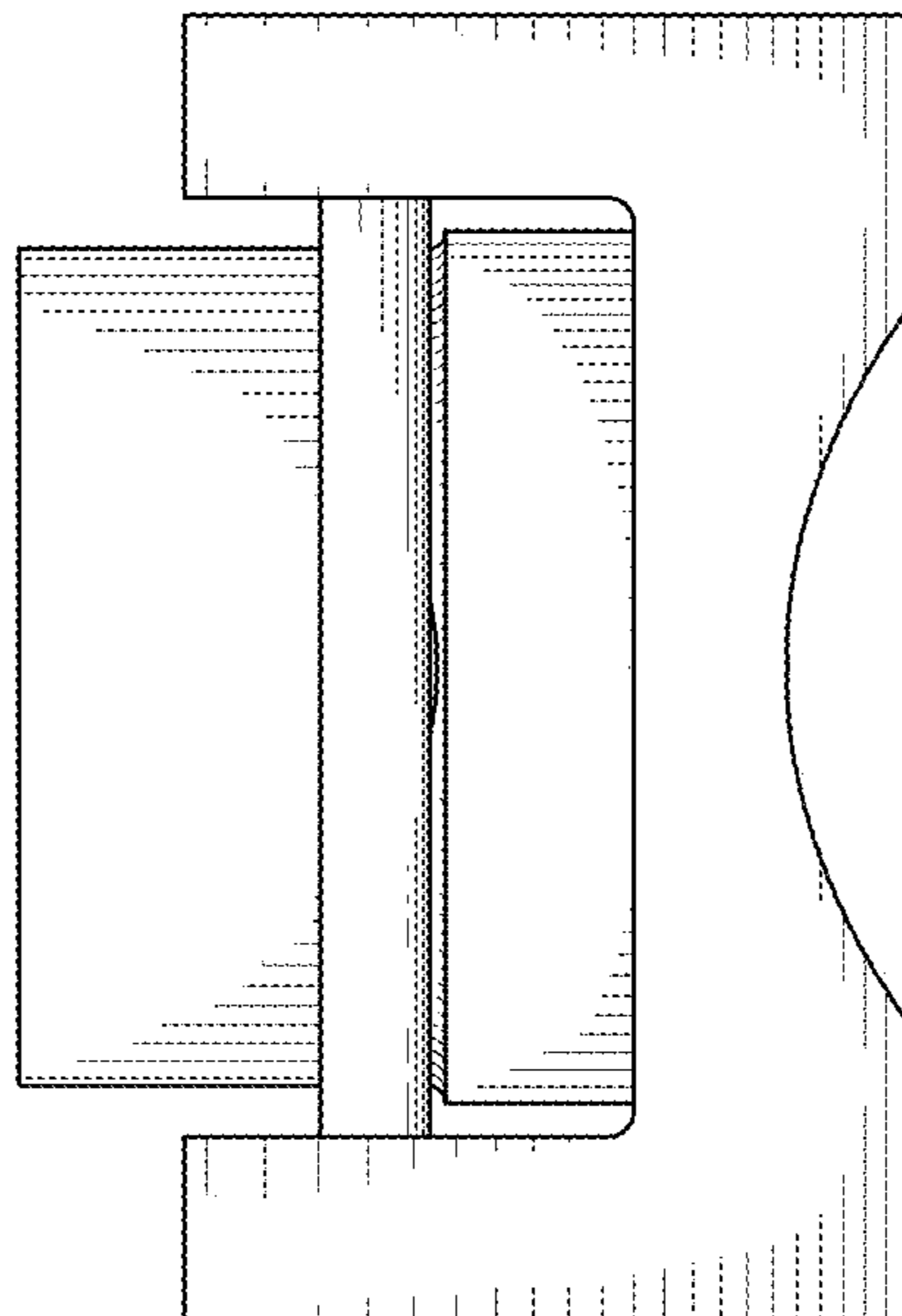


FIG. 9

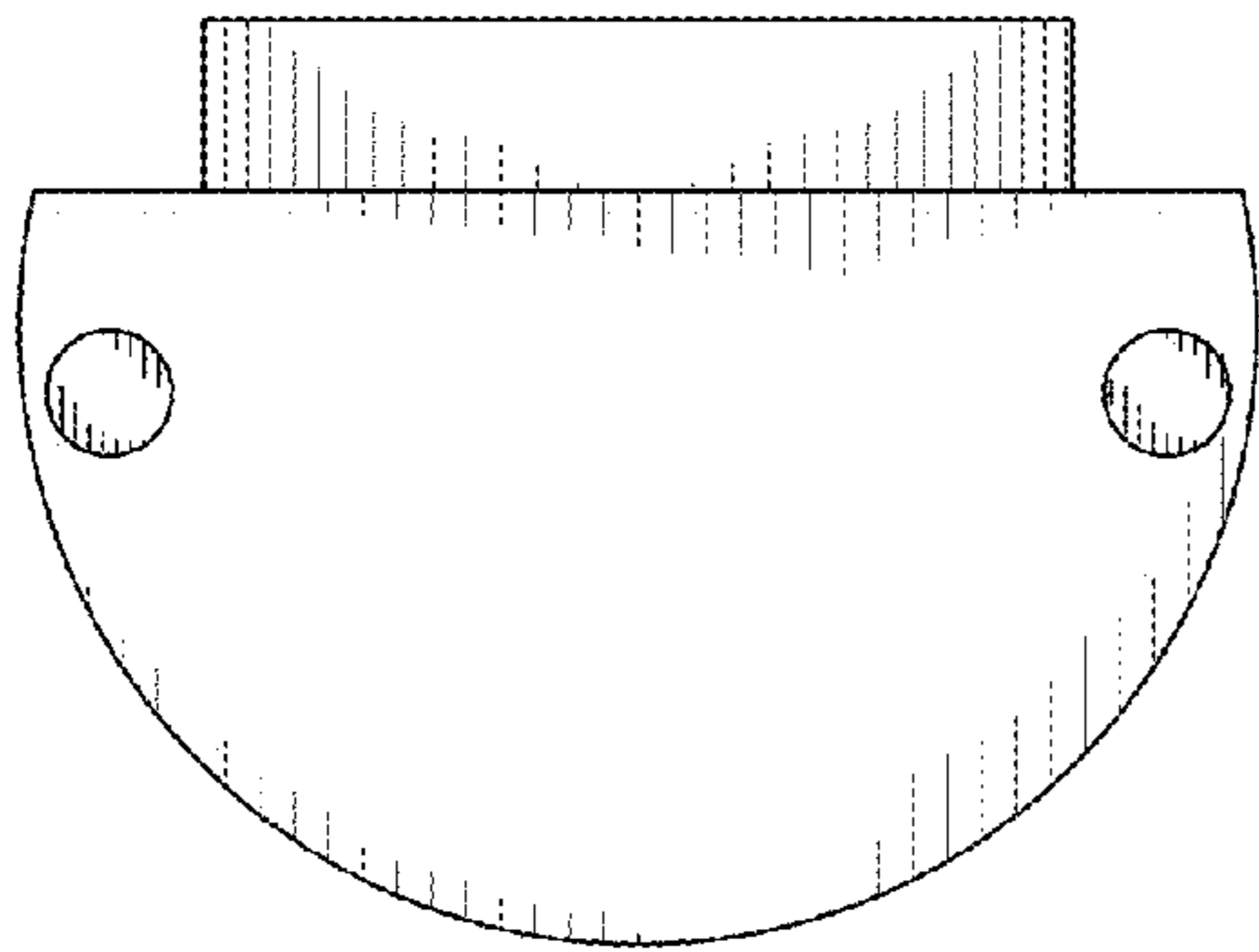


FIG. 11

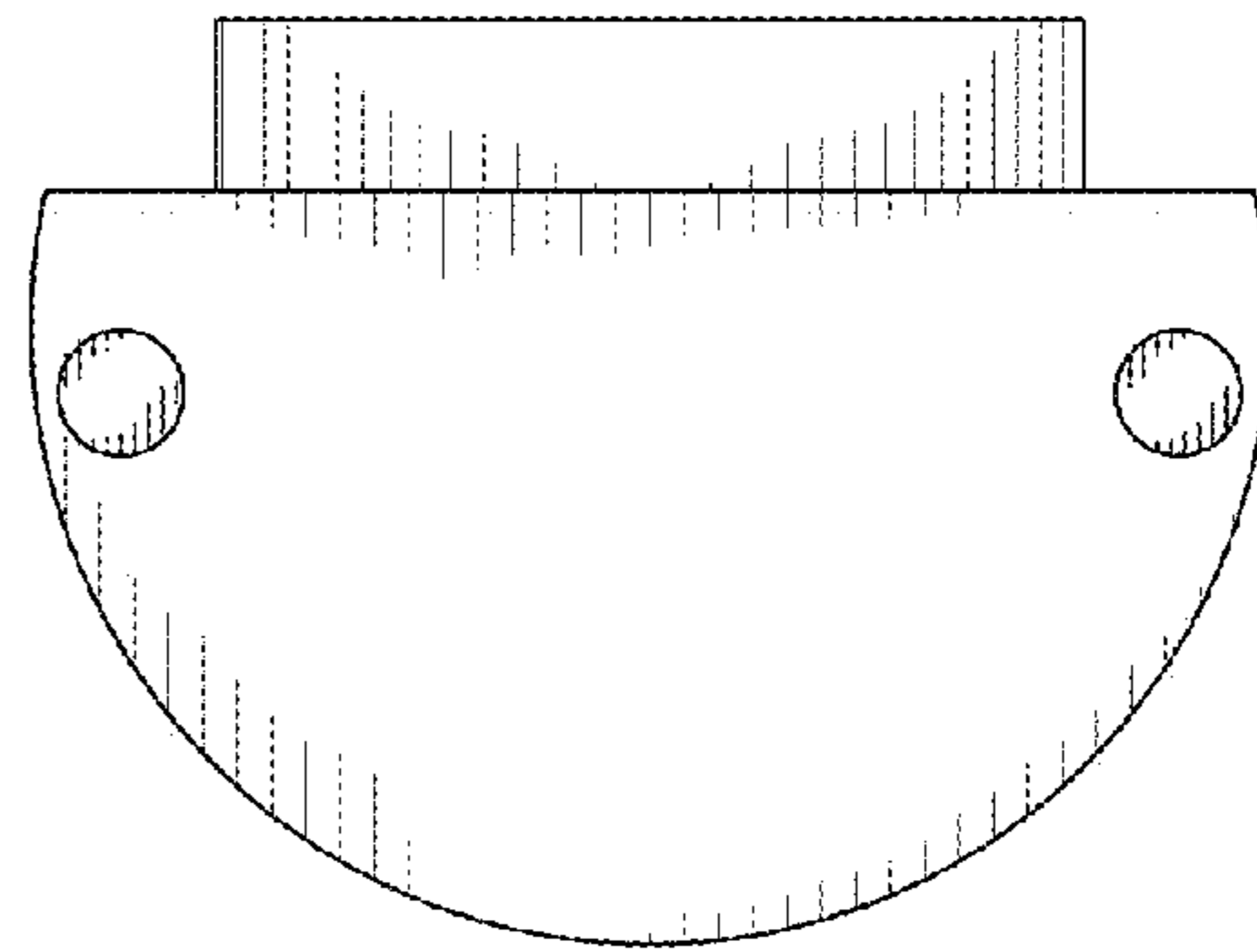


FIG. 12

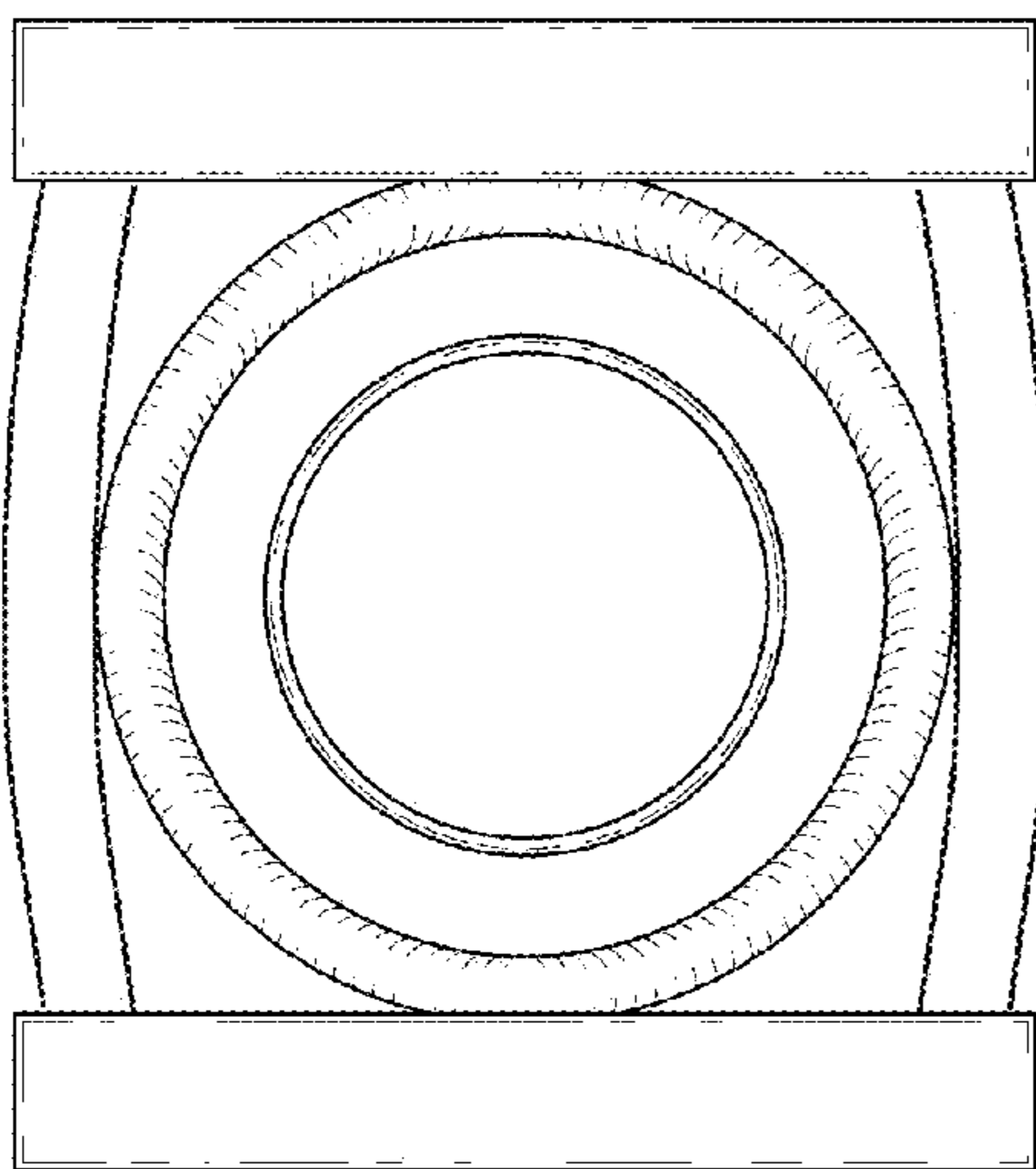


FIG. 13

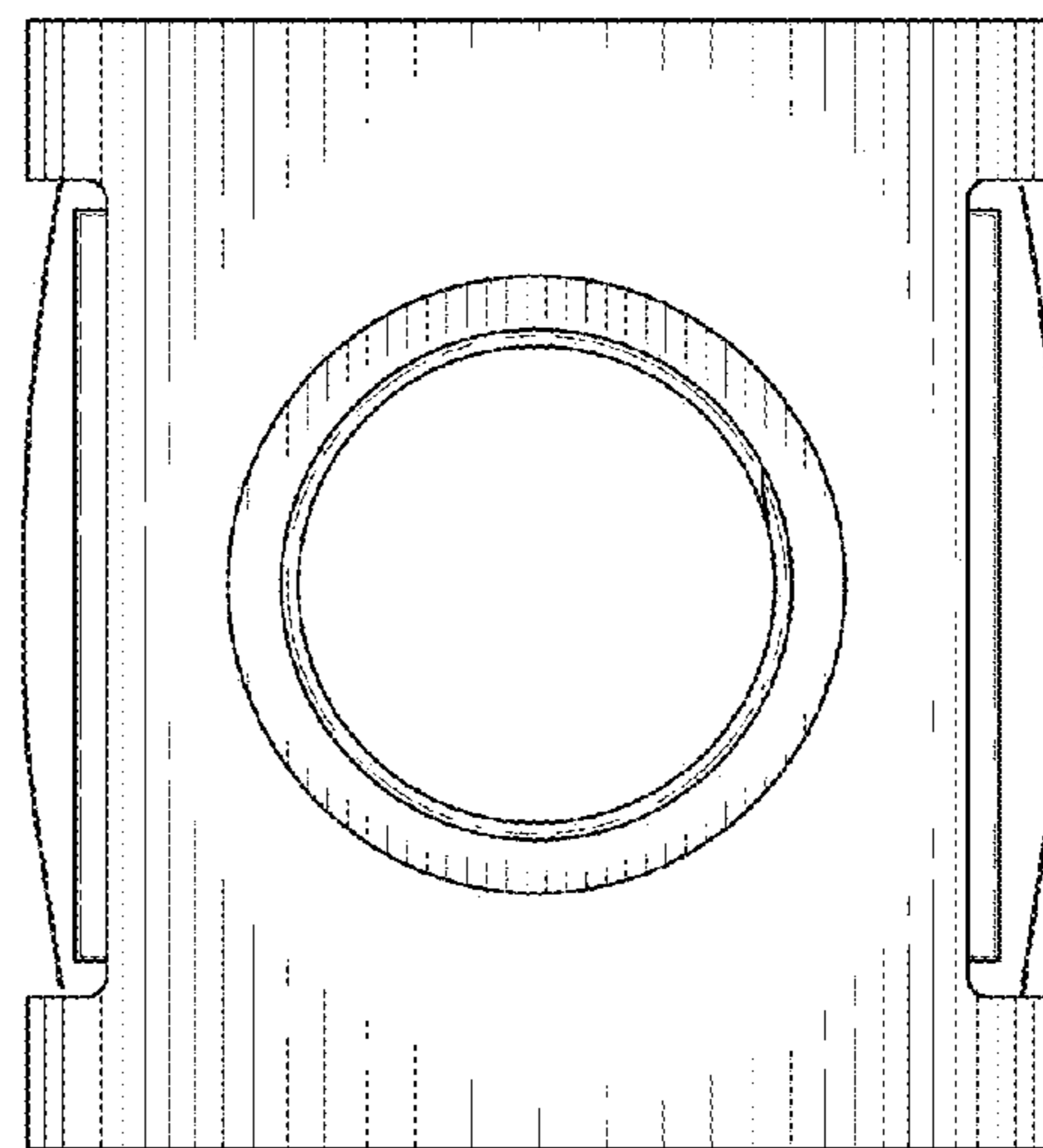


FIG. 14

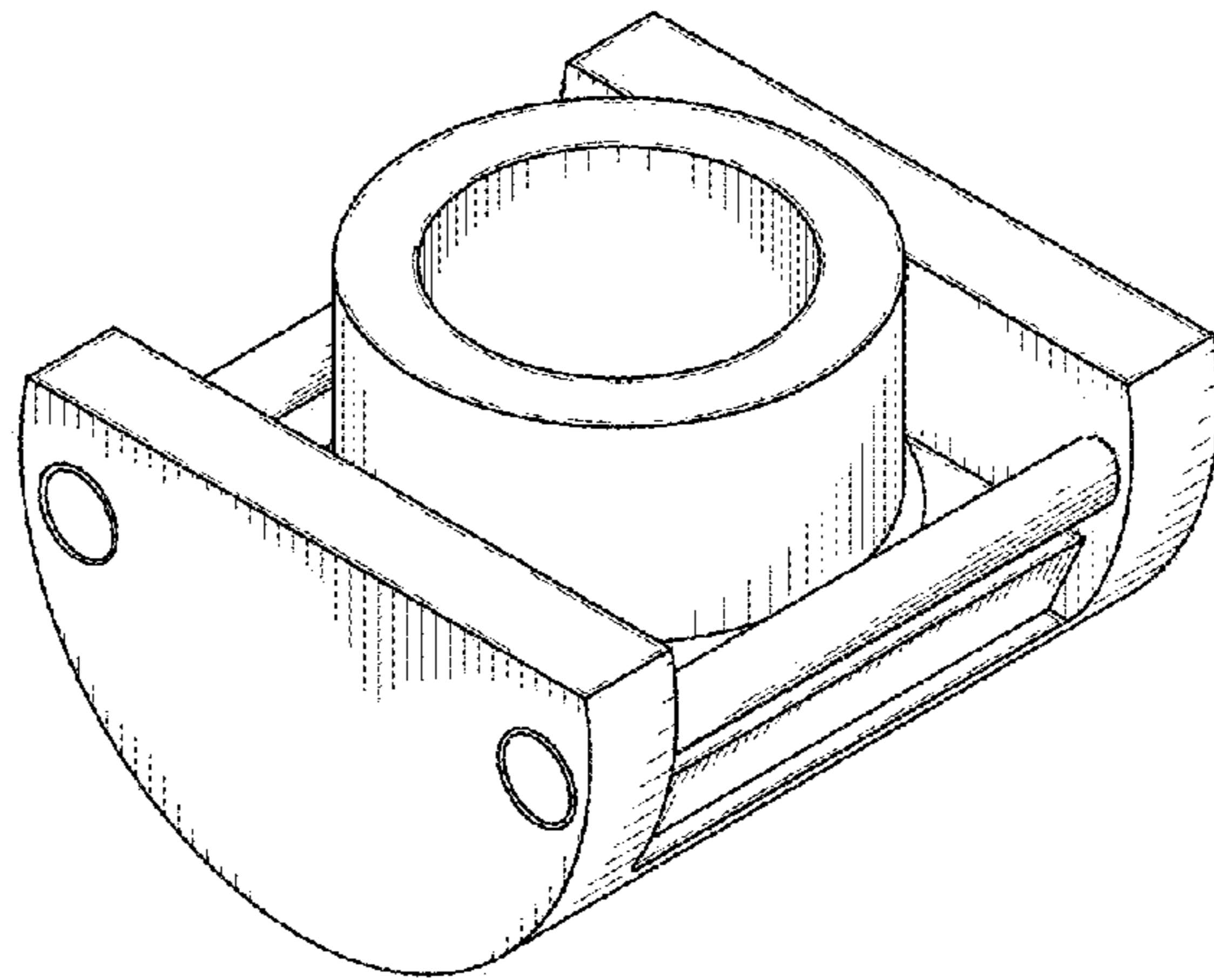


FIG. 15

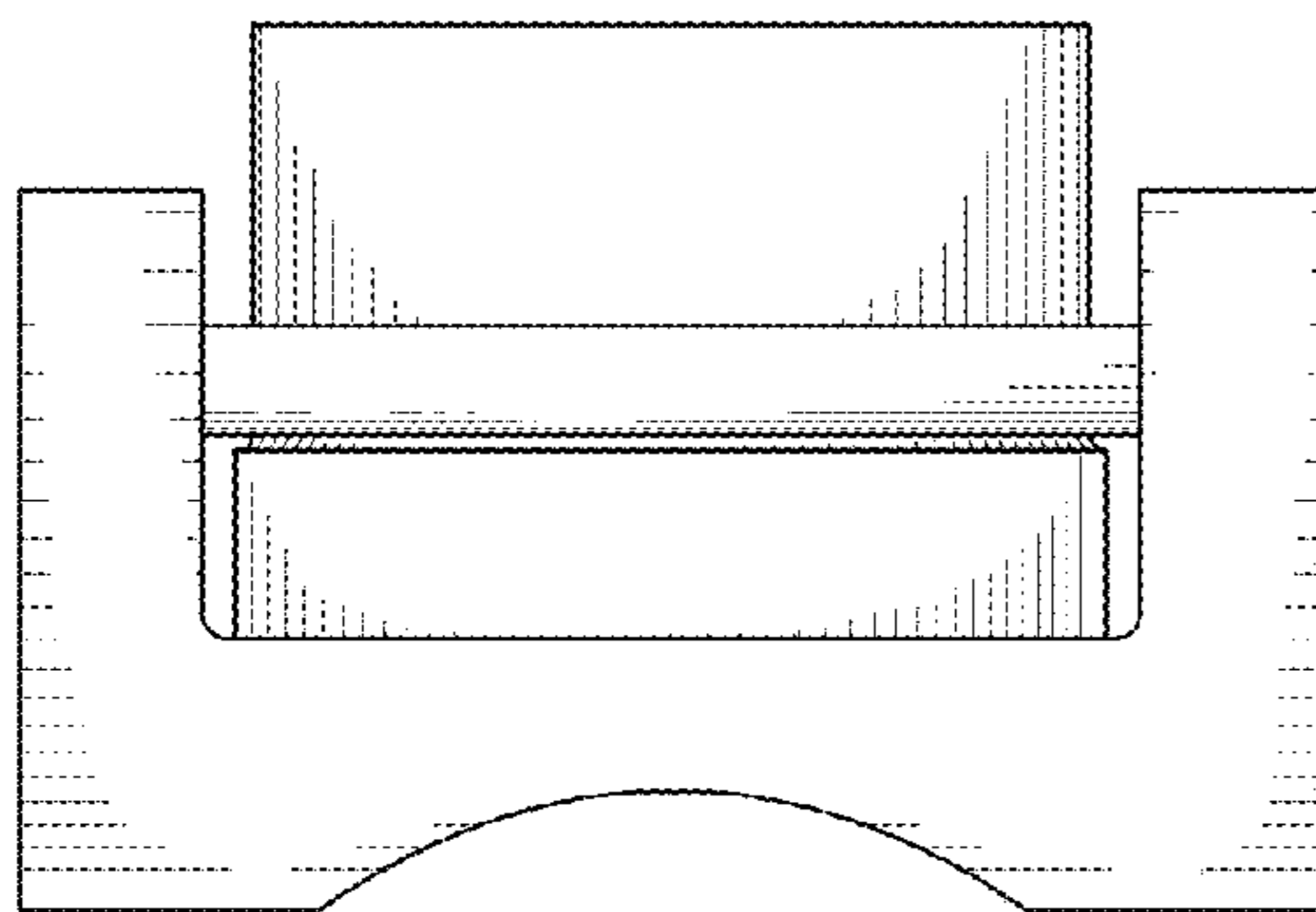


FIG. 16

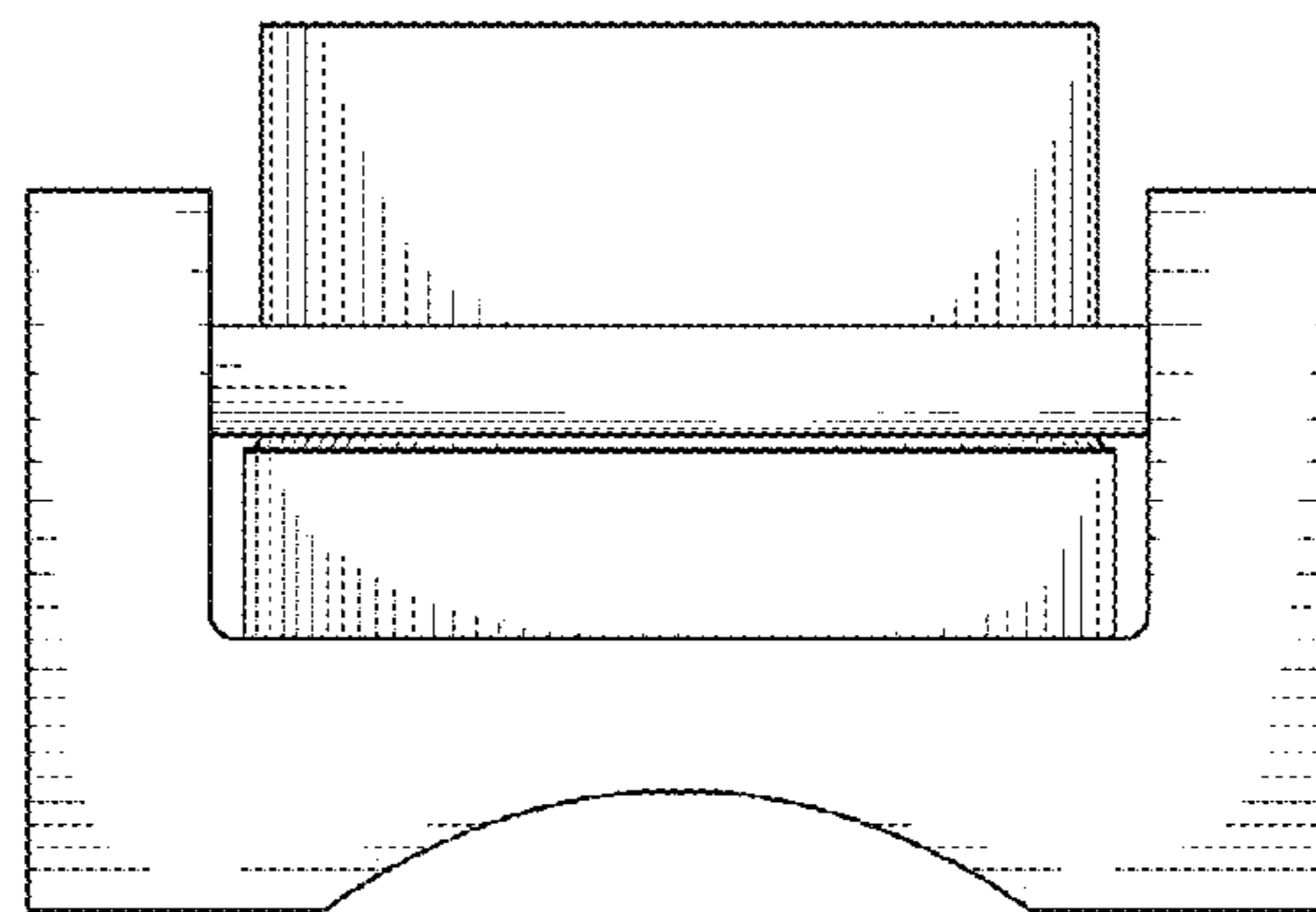


FIG. 17

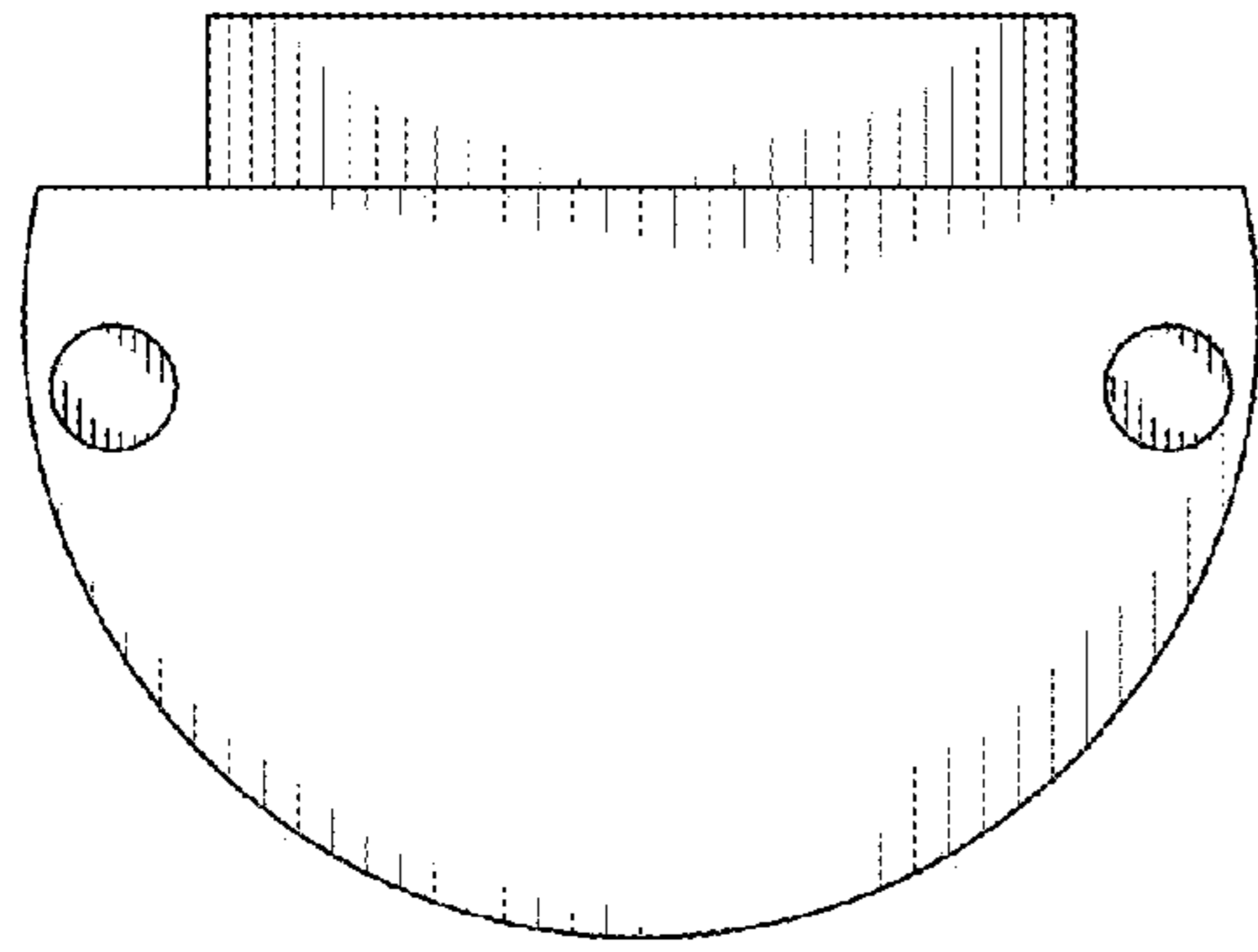


FIG. 19

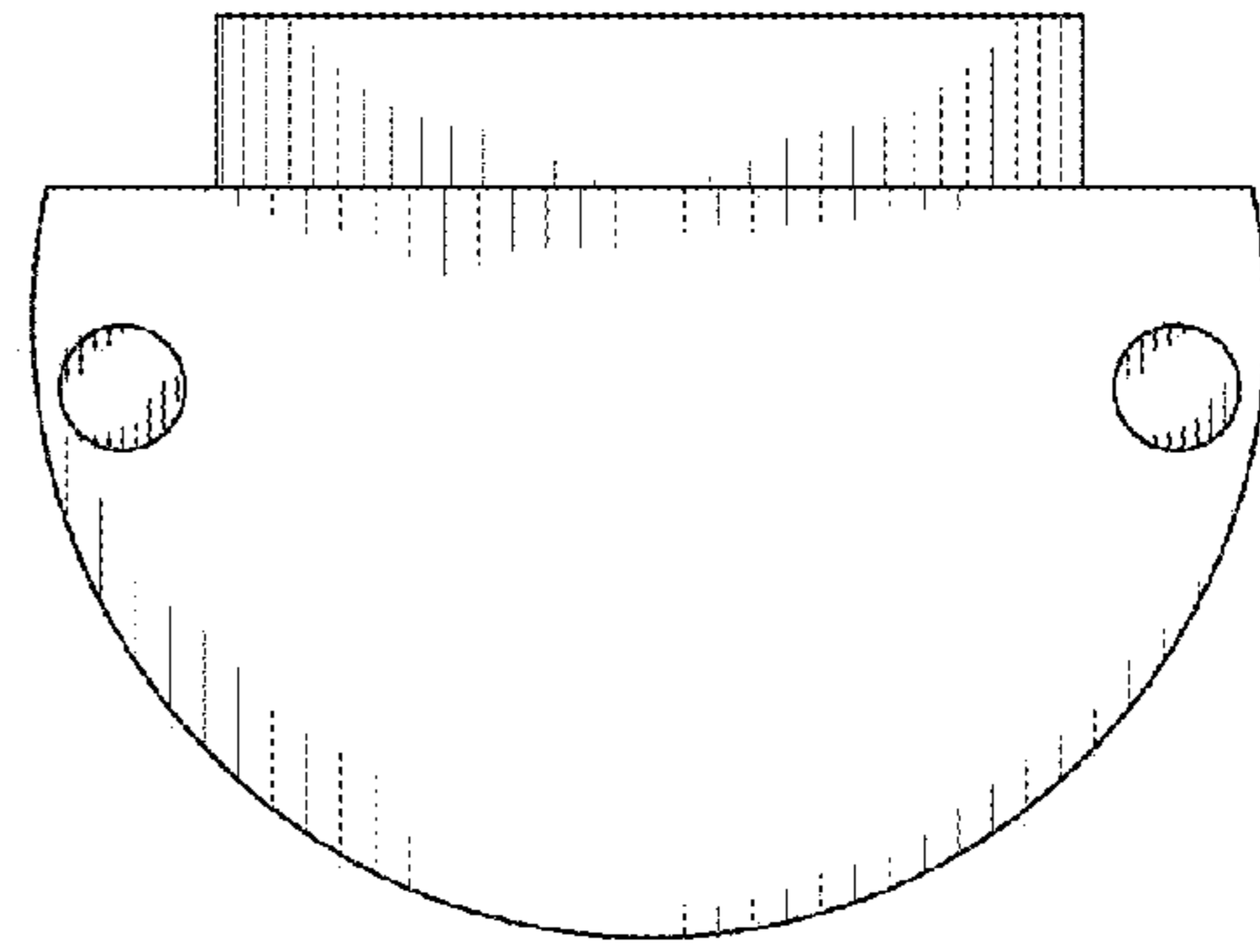


FIG. 18

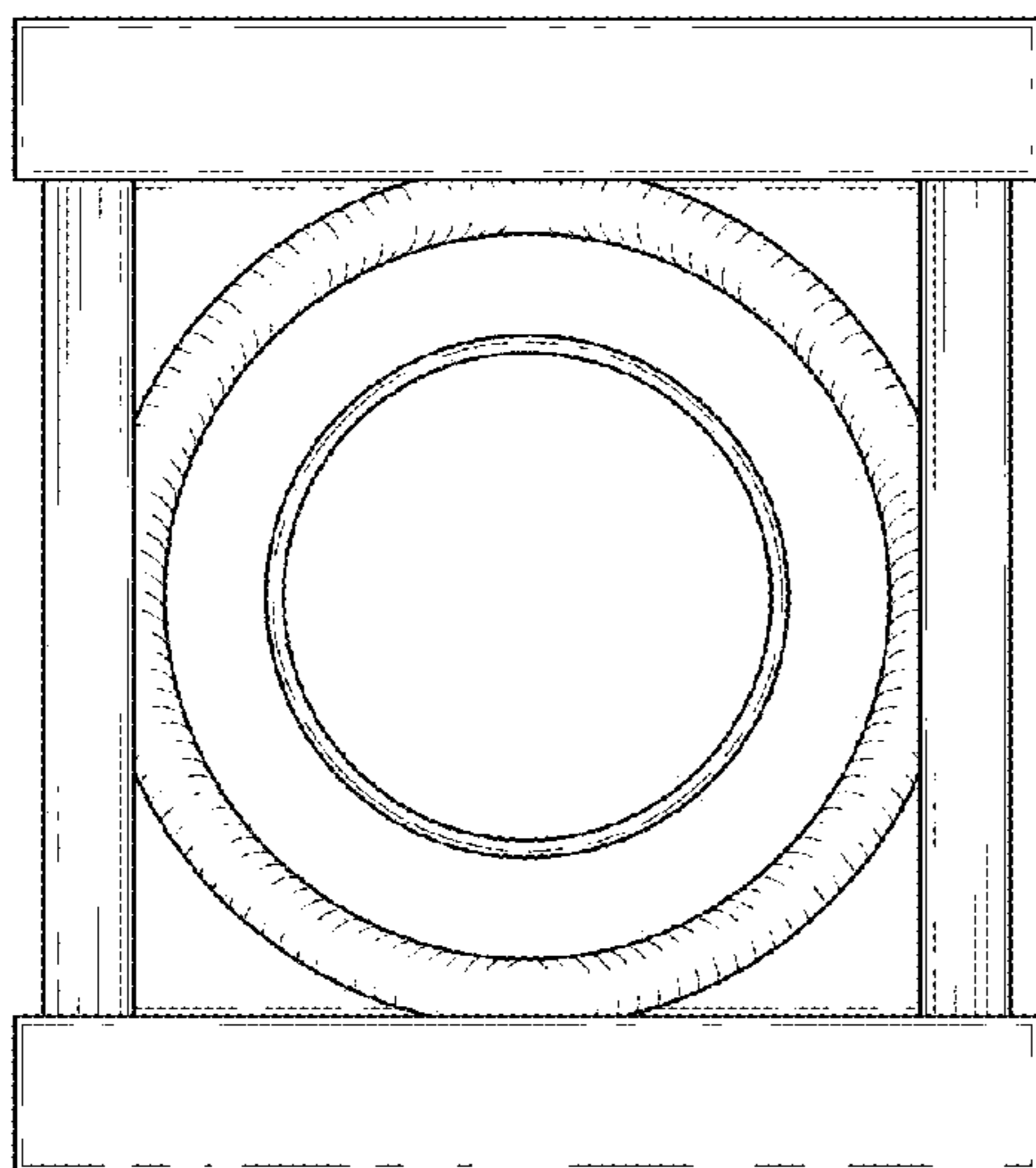


FIG. 20

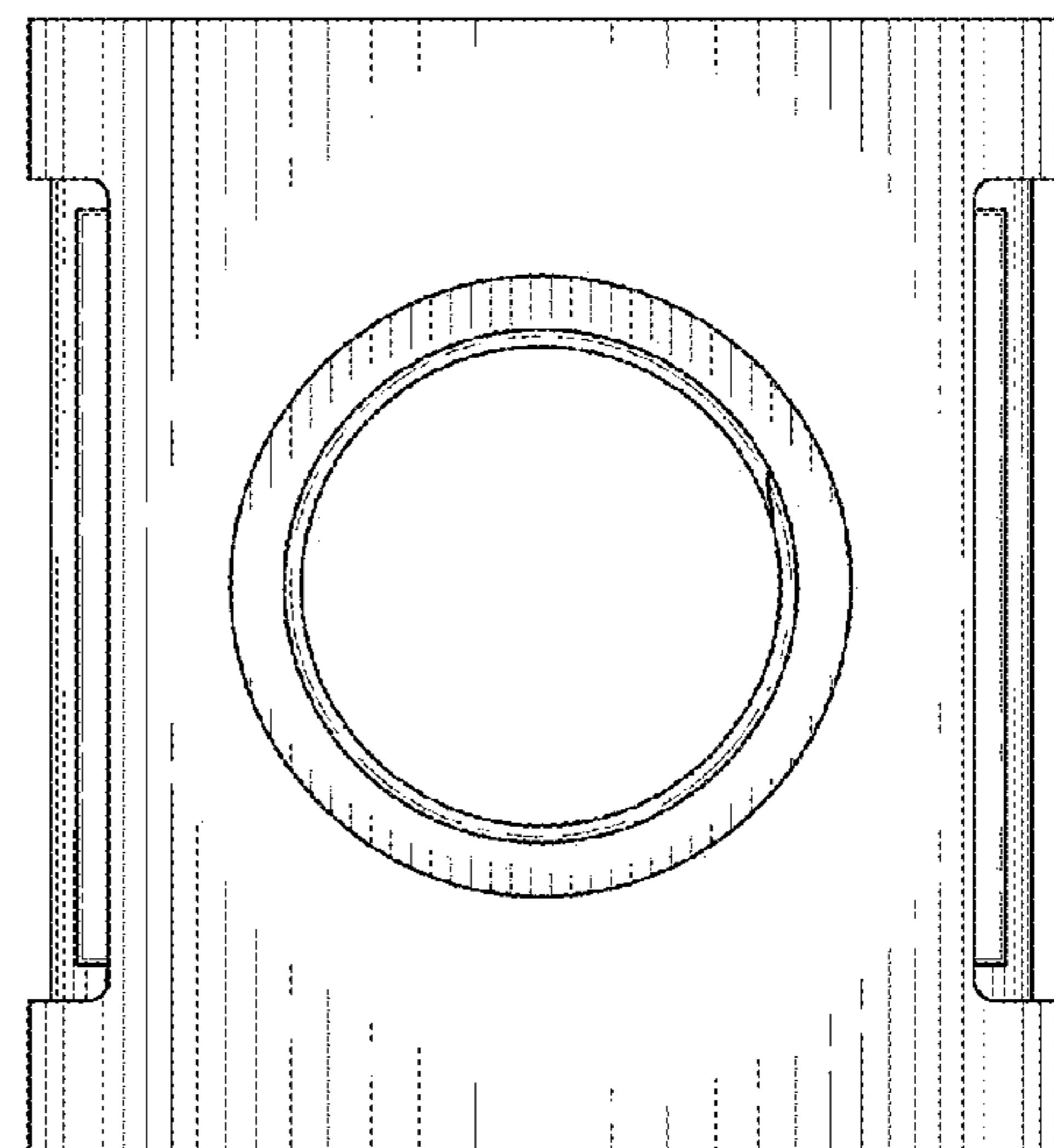


FIG. 21

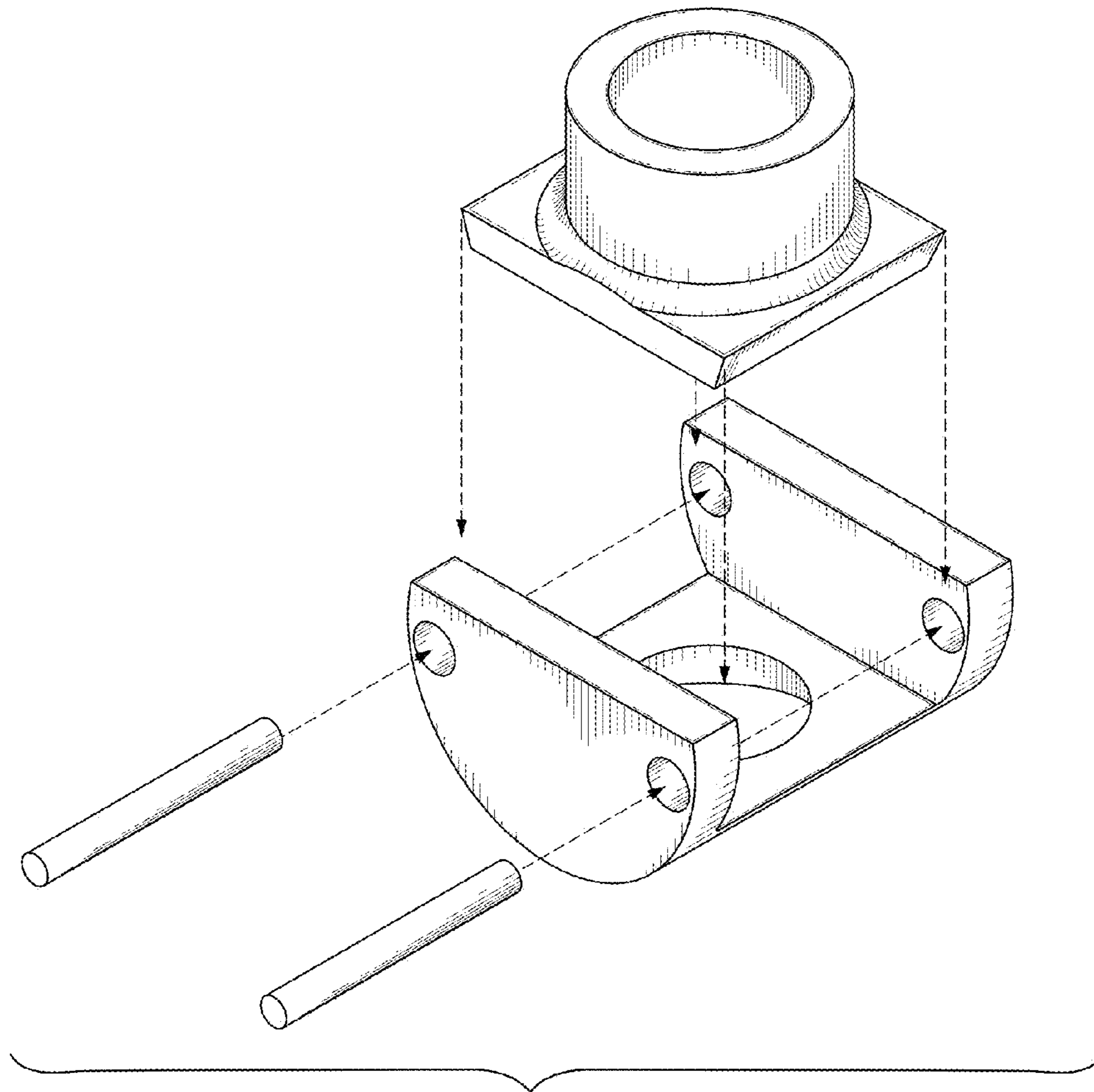


FIG. 22