

US00D693664S

(12) **United States Design Patent**
Martin

(10) **Patent No.:** **US D693,664 S**

(45) **Date of Patent:** **** Nov. 19, 2013**

(54) **SAW**

(75) **Inventor:** **Juan Ramon Torres Martin**, Barcelona
(ES)

(73) **Assignee:** **Actervis GmbH**, Baar/Zug (CH)

(**) **Term:** **14 Years**

(21) **Appl. No.:** **29/422,010**

(22) **Filed:** **May 15, 2012**

(30) **Foreign Application Priority Data**

Nov. 15, 2011	(EM)	001302277-0001
Nov. 15, 2011	(EM)	001302277-0002
Nov. 15, 2011	(EM)	001302277-0003
Nov. 15, 2011	(EM)	001302277-0004
Nov. 15, 2011	(EM)	001302277-0005
Nov. 15, 2011	(EM)	001302277-0006
Nov. 15, 2011	(EM)	001302277-0007
Nov. 15, 2011	(EM)	001302277-0008

(51) **LOC (9) Cl.** **08-03**

(52) **U.S. Cl.**
USPC **D8/64**

(58) **Field of Classification Search**
USPC D8/69, 68, 67, 66, 65, 64, 62, 61;
30/92, 394, 393, 392, 377, 376, 371;
74/50, 49; 173/217, 216; 83/699.21;
446/145

See application file for complete search history.

(56) **References Cited**

U.S. PATENT DOCUMENTS

4,771,542	A *	9/1988	Beveridge	30/392
D302,785	S *	8/1989	Cunningham	D8/64
D433,907	S *	11/2000	Fuchs et al.	D8/64
D492,560	S *	7/2004	Refson	D8/61

6,757,982	B2	7/2004	Refson	
D564,850	S *	3/2008	Bakker	D8/61
D577,556	S *	9/2008	O'Hern	D8/64
D586,636	S *	2/2009	Aglassinger	D8/66
D648,999	S *	11/2011	Moreno et al.	D8/66
D651,882	S *	1/2012	Zhou et al.	D8/66

FOREIGN PATENT DOCUMENTS

EP	0788421	8/1997
EP	1177868	2/2002
WO	W02009047548	4/2009

* cited by examiner

Primary Examiner — Austin Murphy

(74) *Attorney, Agent, or Firm* — Craig J. Lervick; Larkin Hoffman Daly & Lindgren Ltd.

(57) **CLAIM**

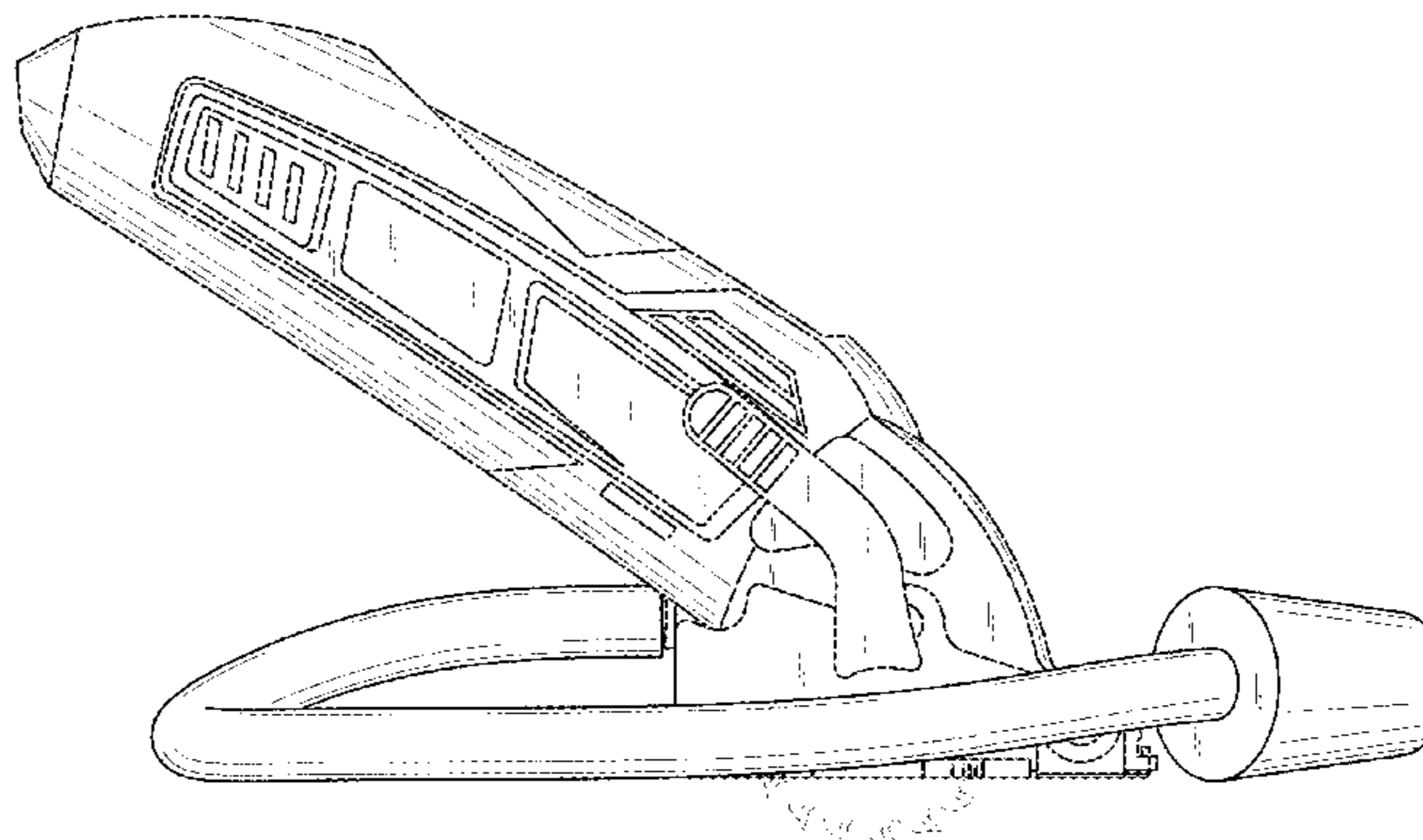
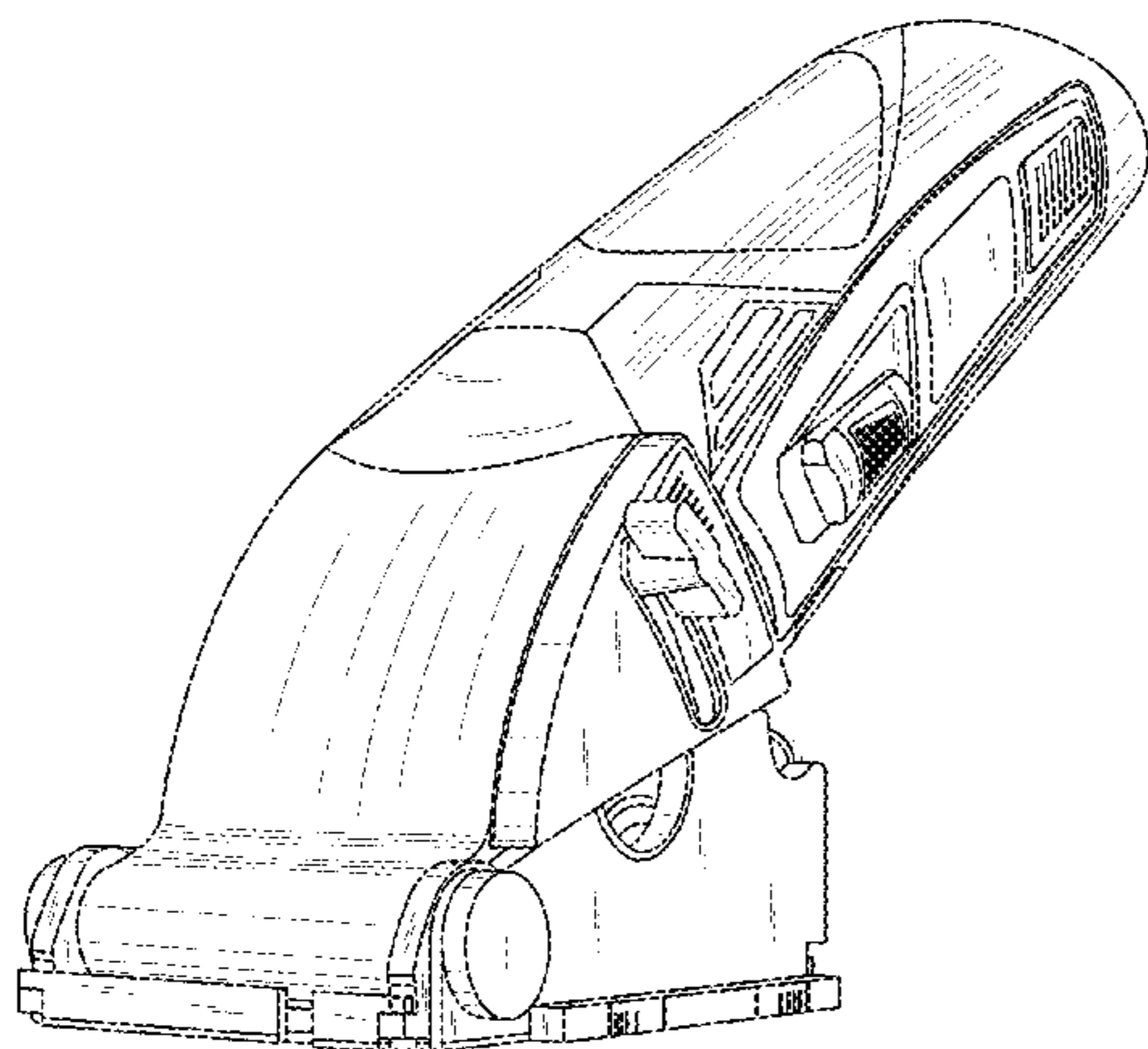
The ornamental design of a saw, as shown and described.

DESCRIPTION

FIG. 1 is a perspective view of the saw in accordance with the present invention;
 FIG. 2 is a first side view thereof with a saw blade shown in dashed lines for context;
 FIG. 3 is a second side view showing an opposite side thereof again having a saw blade shown in dashed lines;
 FIG. 4 is a bottom view;
 FIG. 5 is a top view;
 FIG. 6 is a first end view;
 FIG. 7 is an opposite end view;
 FIG. 8 is a perspective view of a second embodiment of the saw in accordance with the present invention;
 FIG. 9 is a first side view of the saw illustrated in FIG. 8, with a saw blade shown in dashed lines for context;
 FIG. 10 is a second side view showing an opposite side thereof, again having a saw blade shown in dashed lines;
 FIG. 11 is a bottom view thereof;
 FIG. 12 is a top view thereof;
 FIG. 13 is a first end view thereof; and,
 FIG. 14 is an opposite end view thereof.

The dashed lines presented in the drawings are for illustration purposes only and do not form any portion of the claimed design.

1 Claim, 12 Drawing Sheets



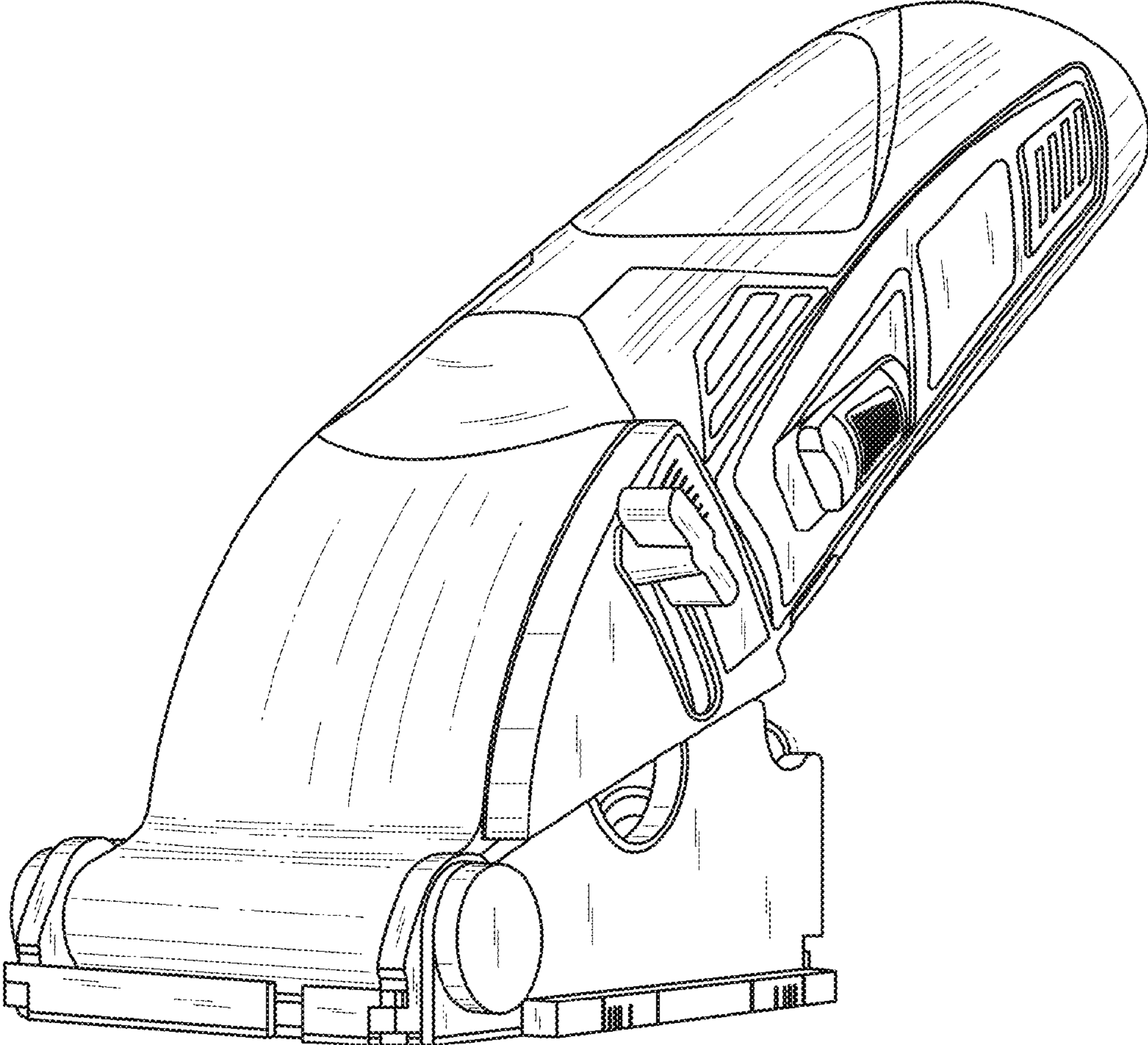


Fig. 1

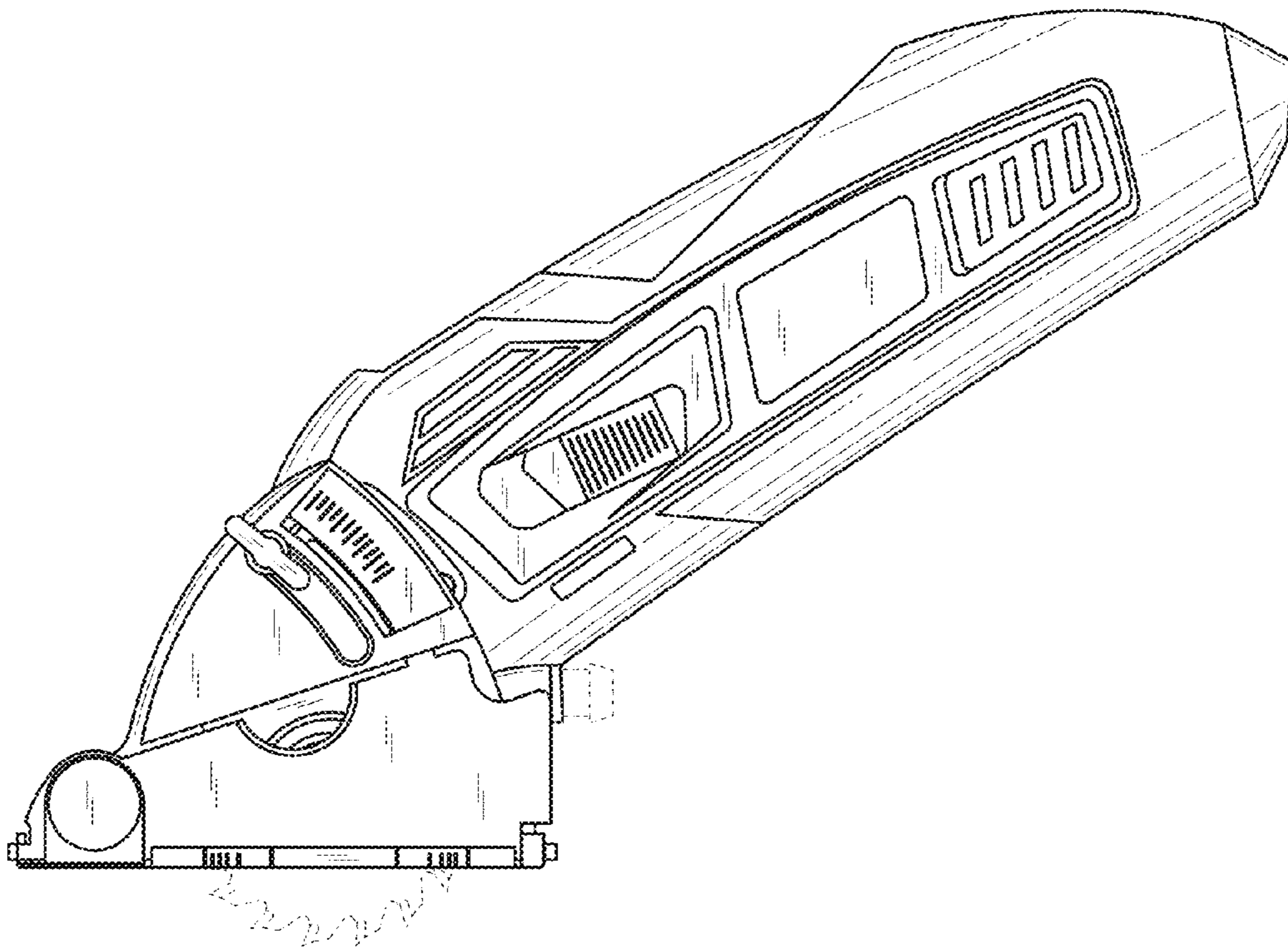


Fig. 2

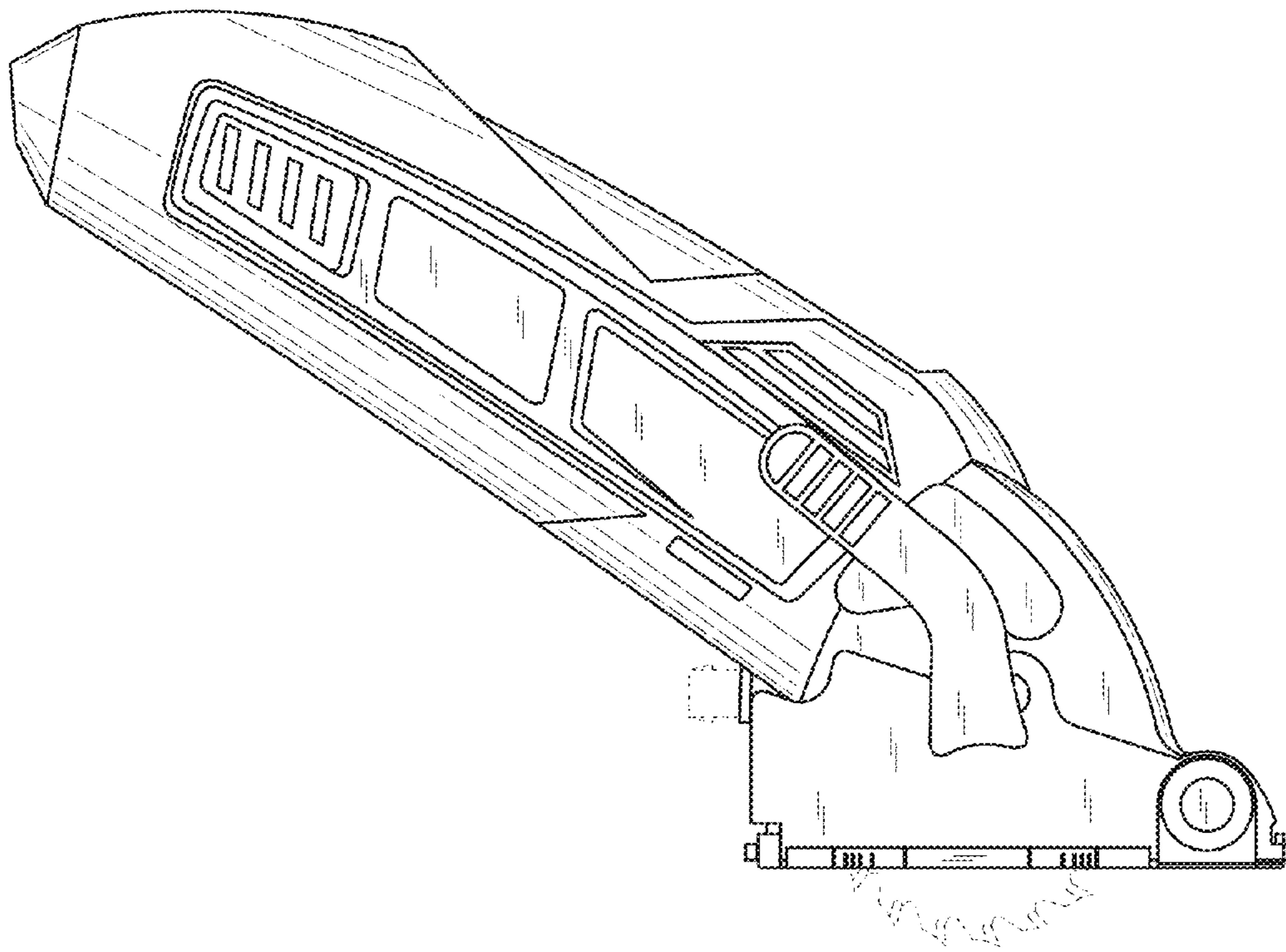


Fig. 3

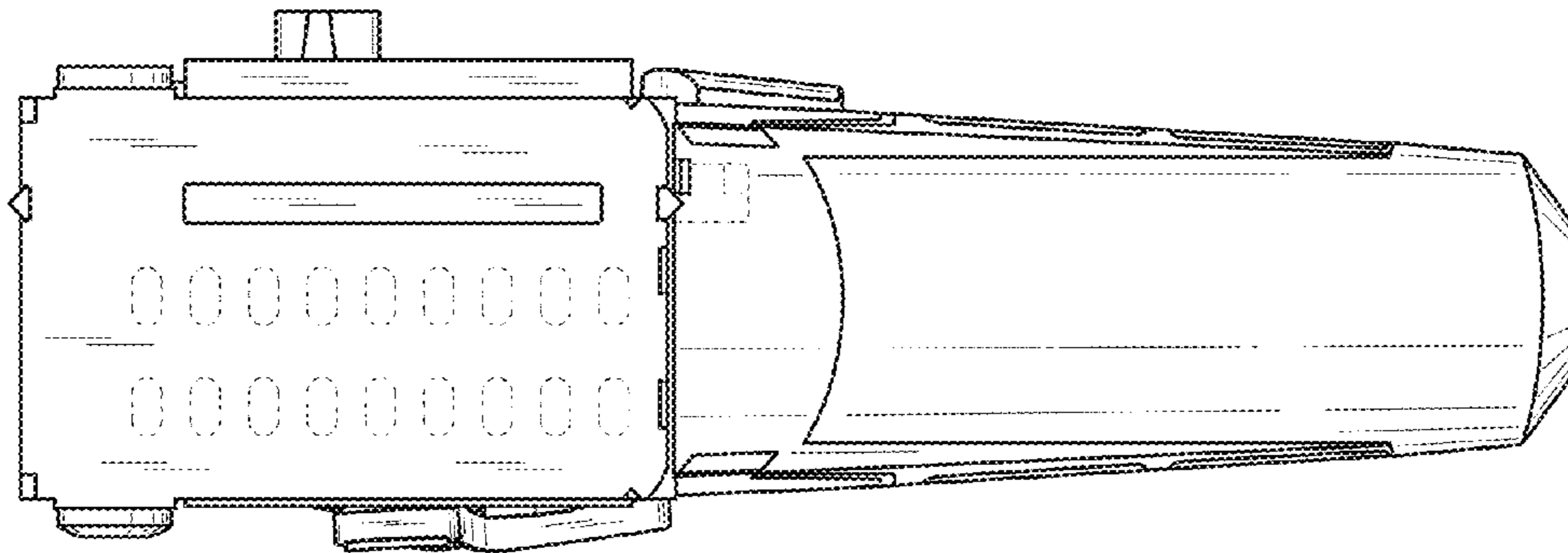


Fig. 4

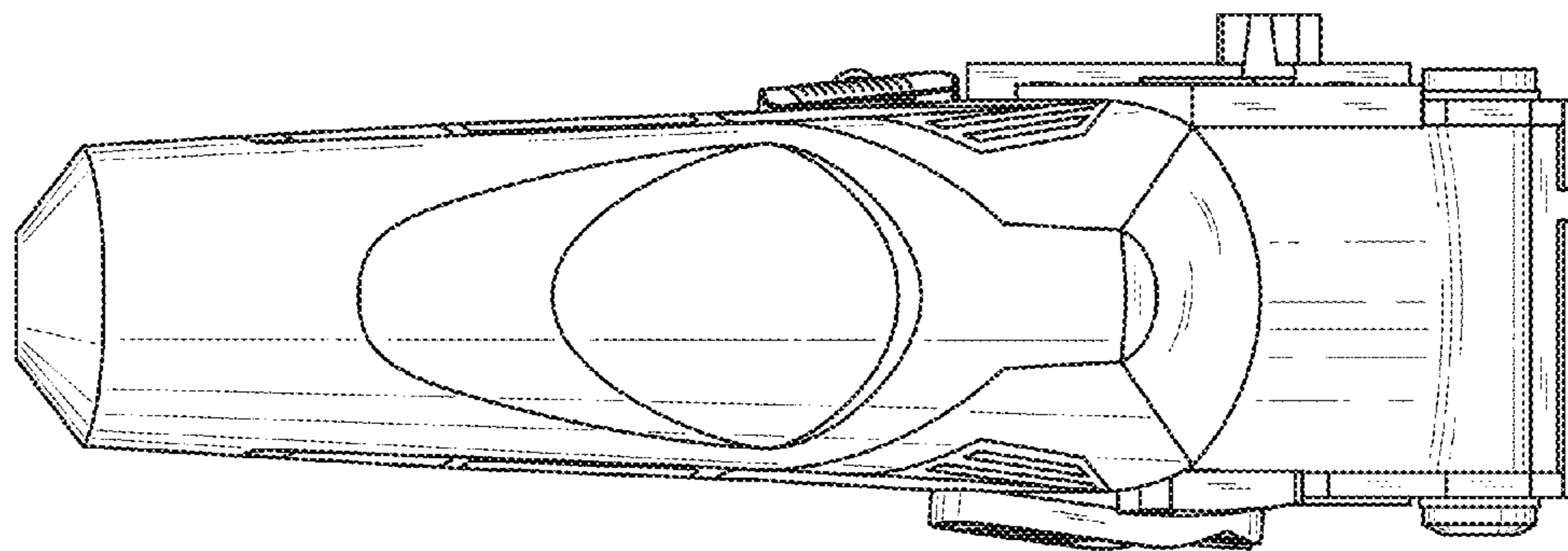


Fig. 5

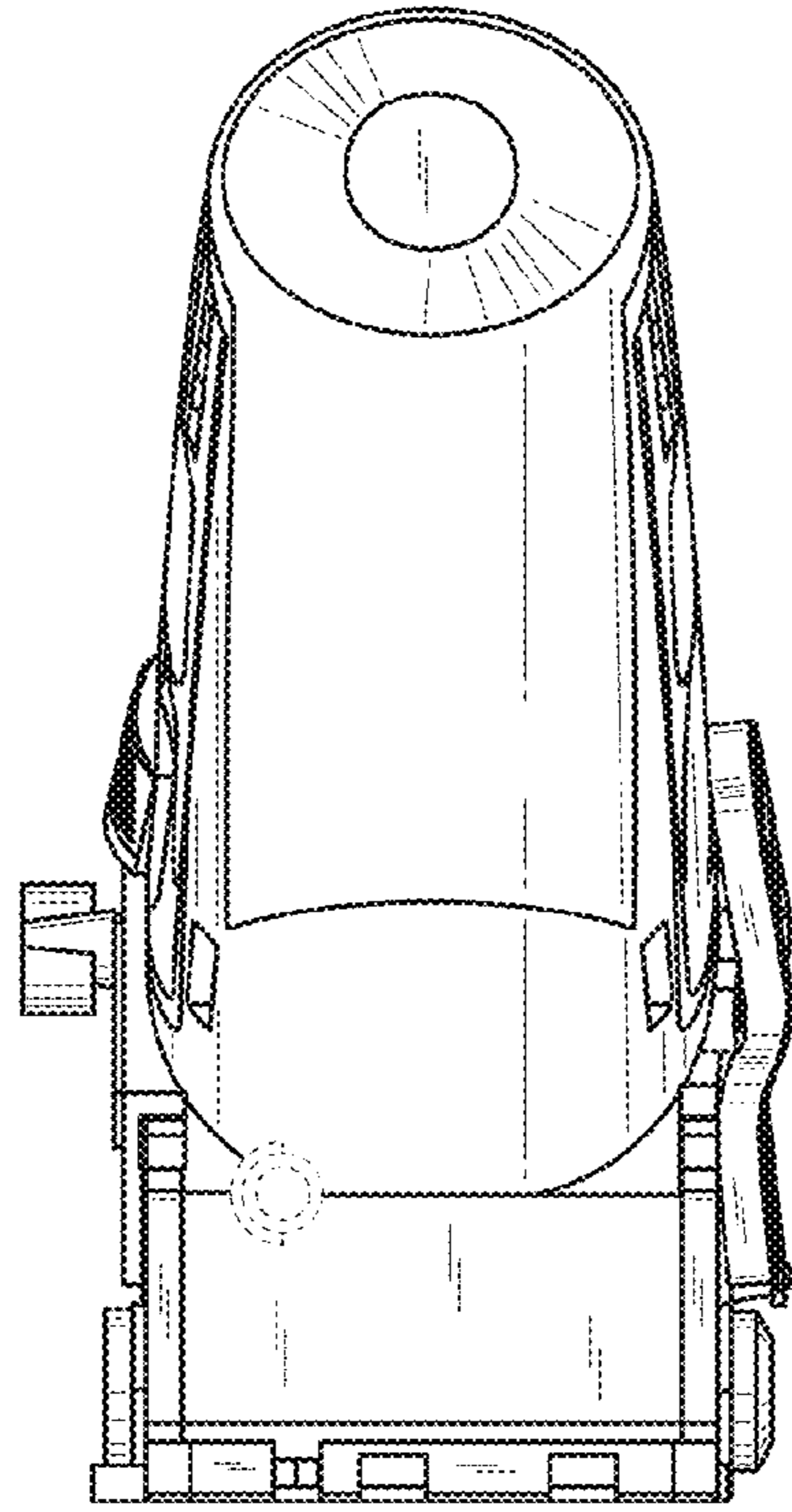


Fig. 6

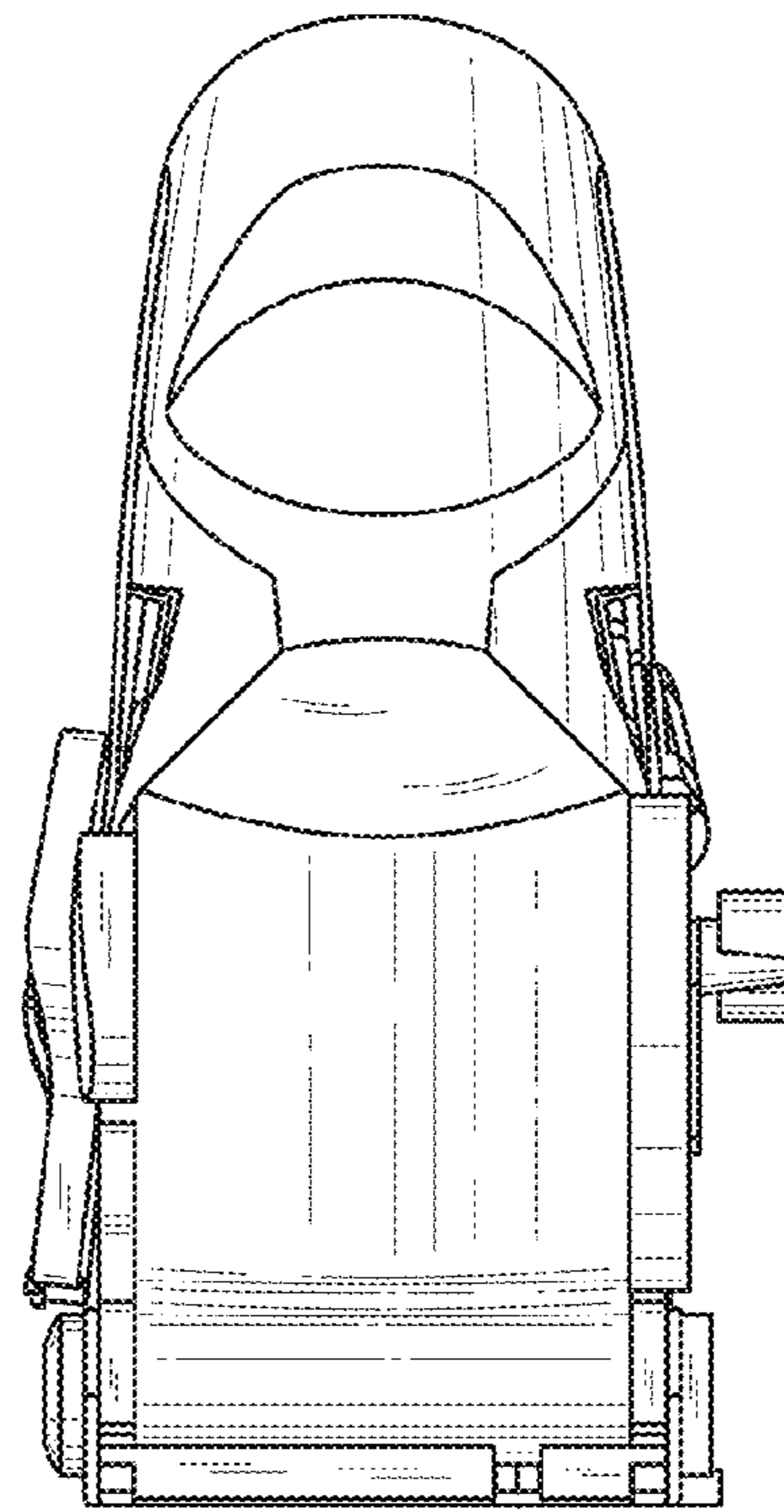


Fig. 7

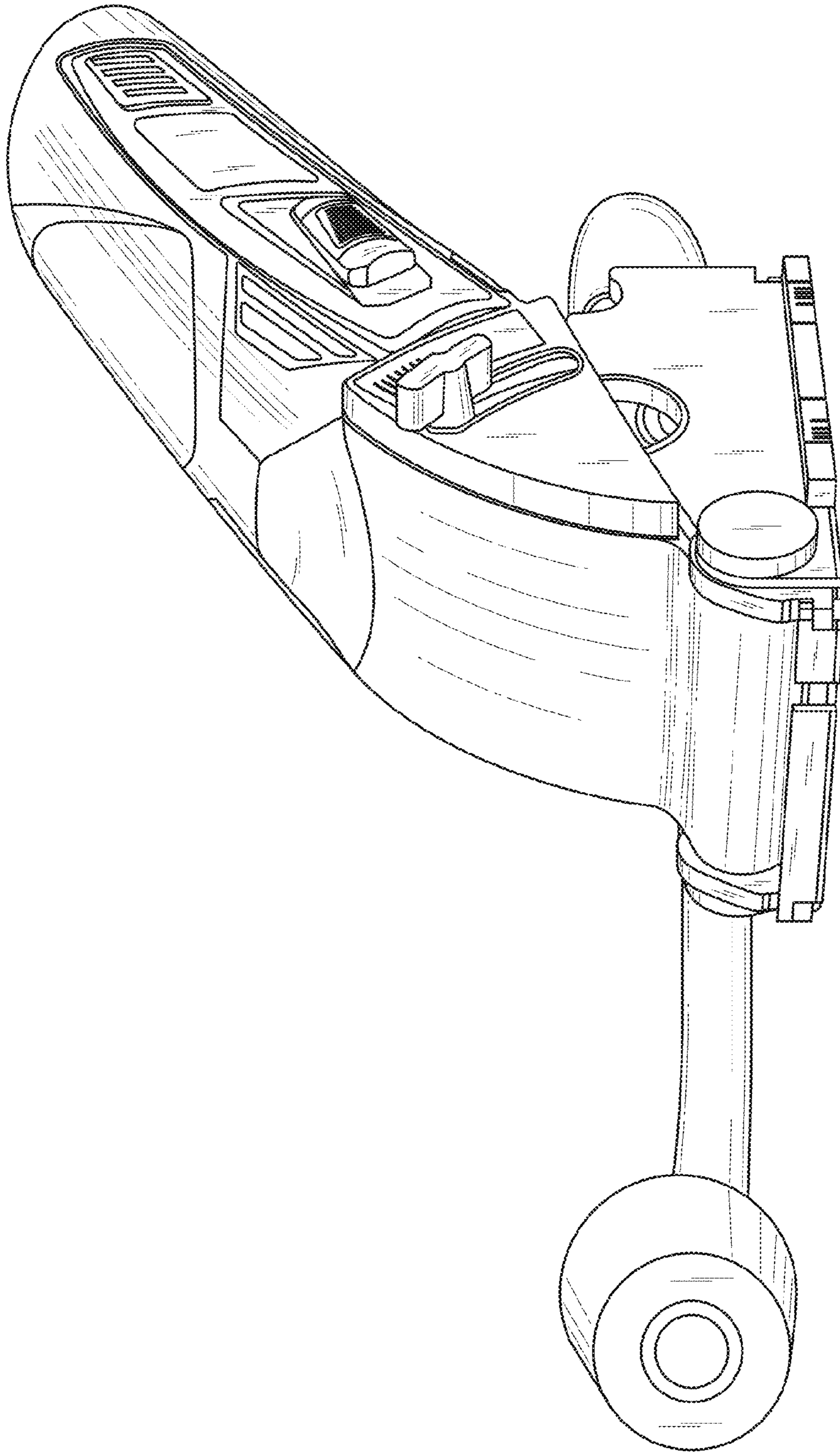


Fig. 8

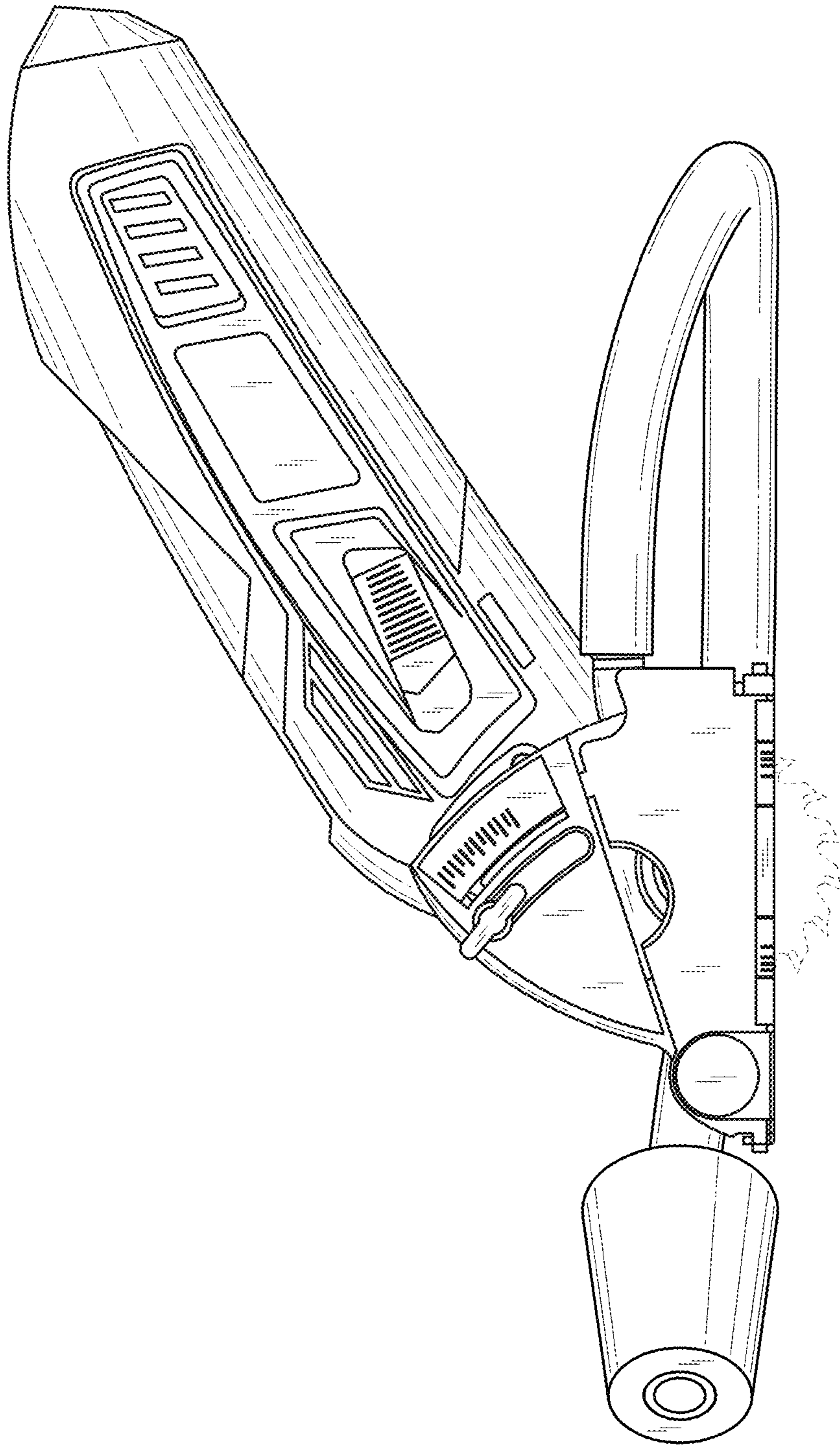


Fig. 9

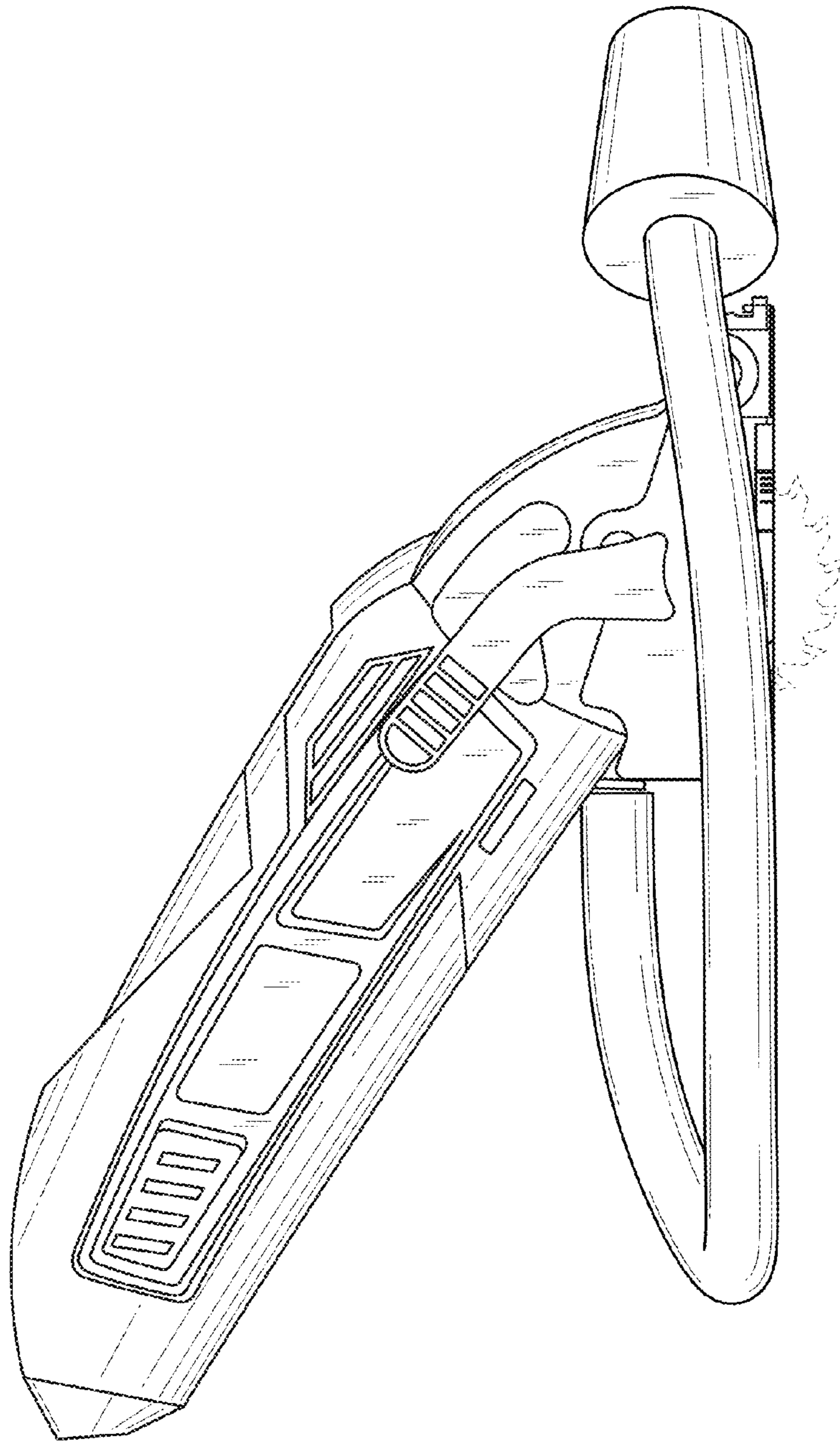


Fig. 10

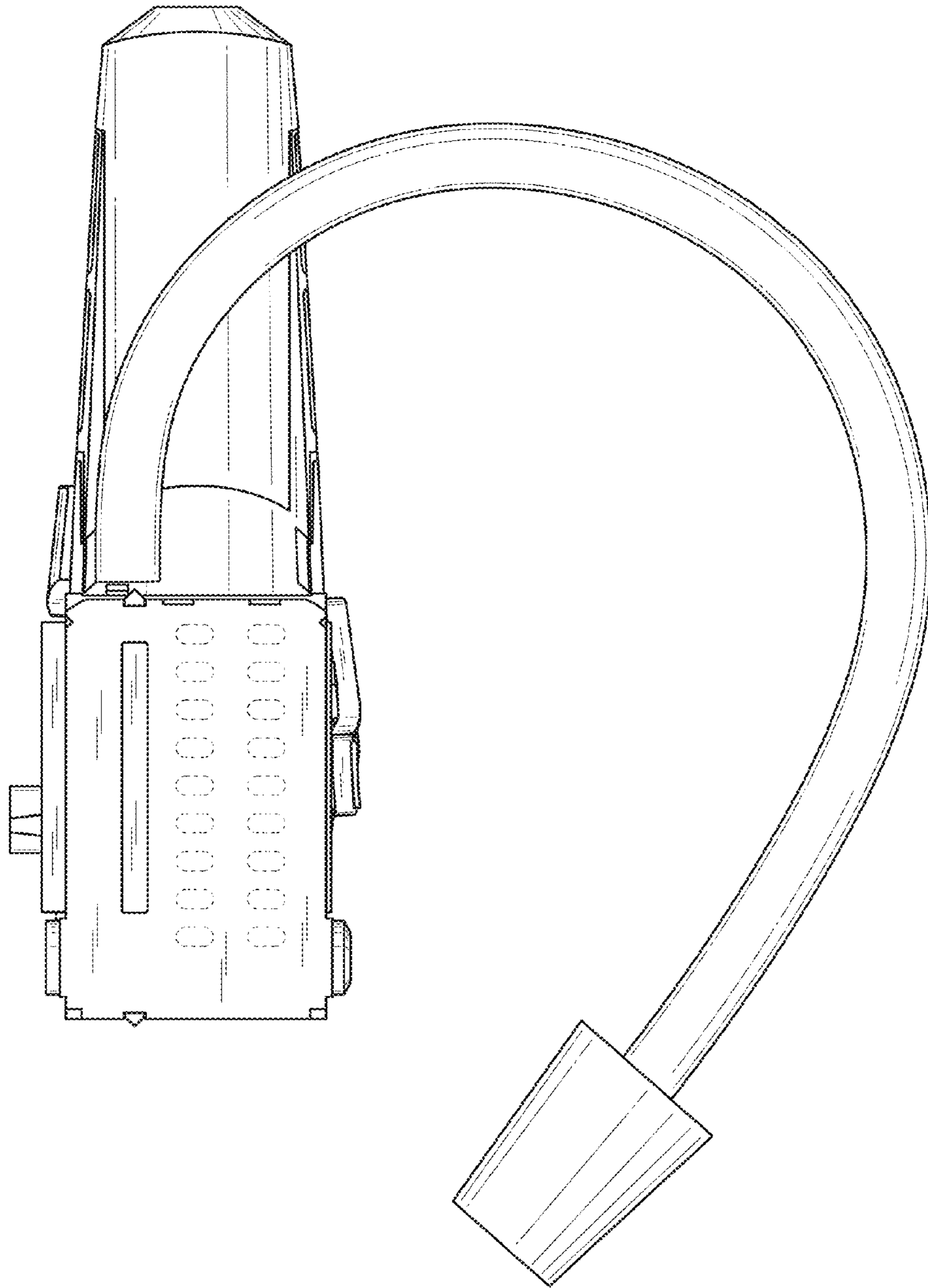


Fig. 11

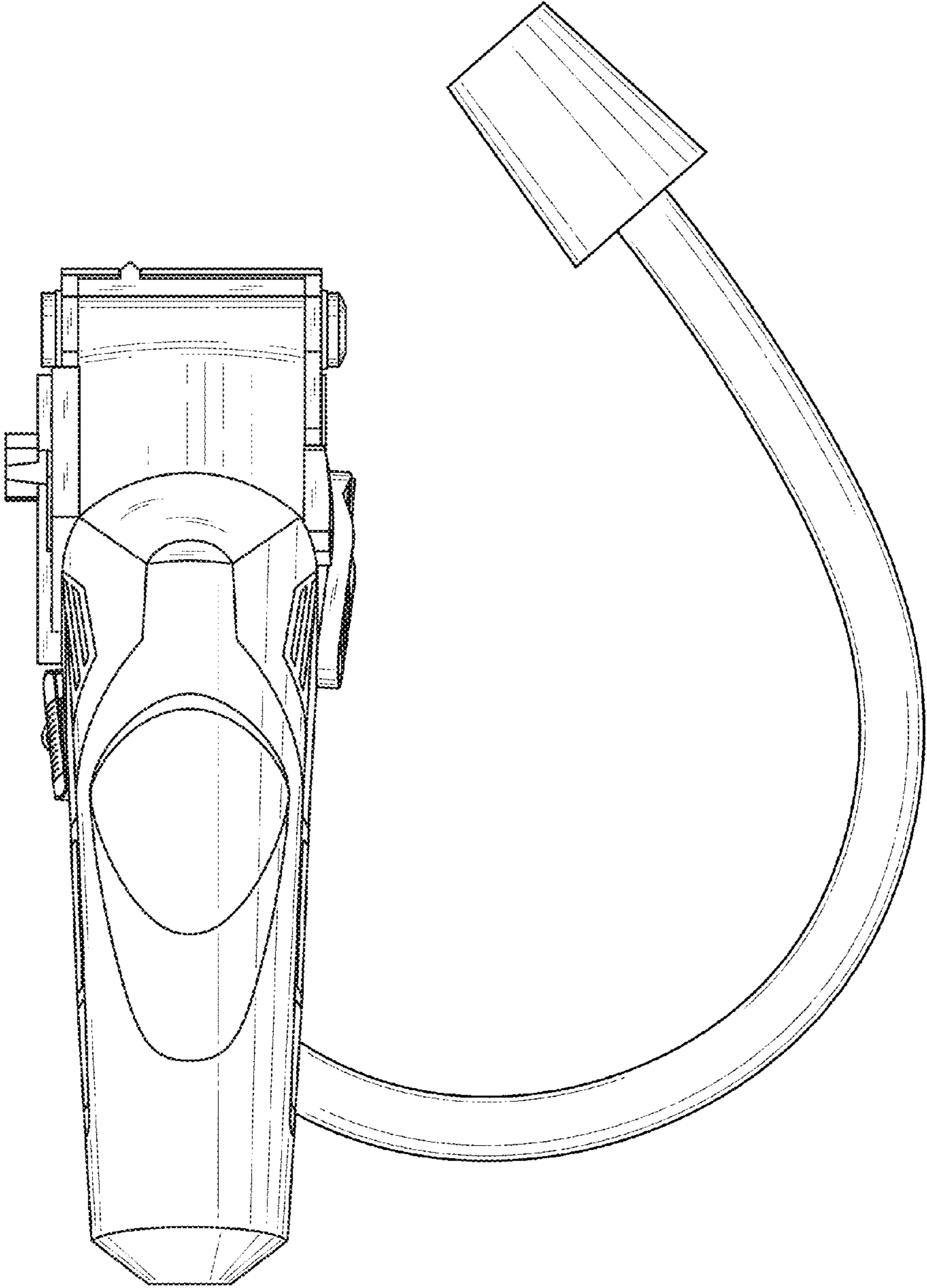


Fig. 12

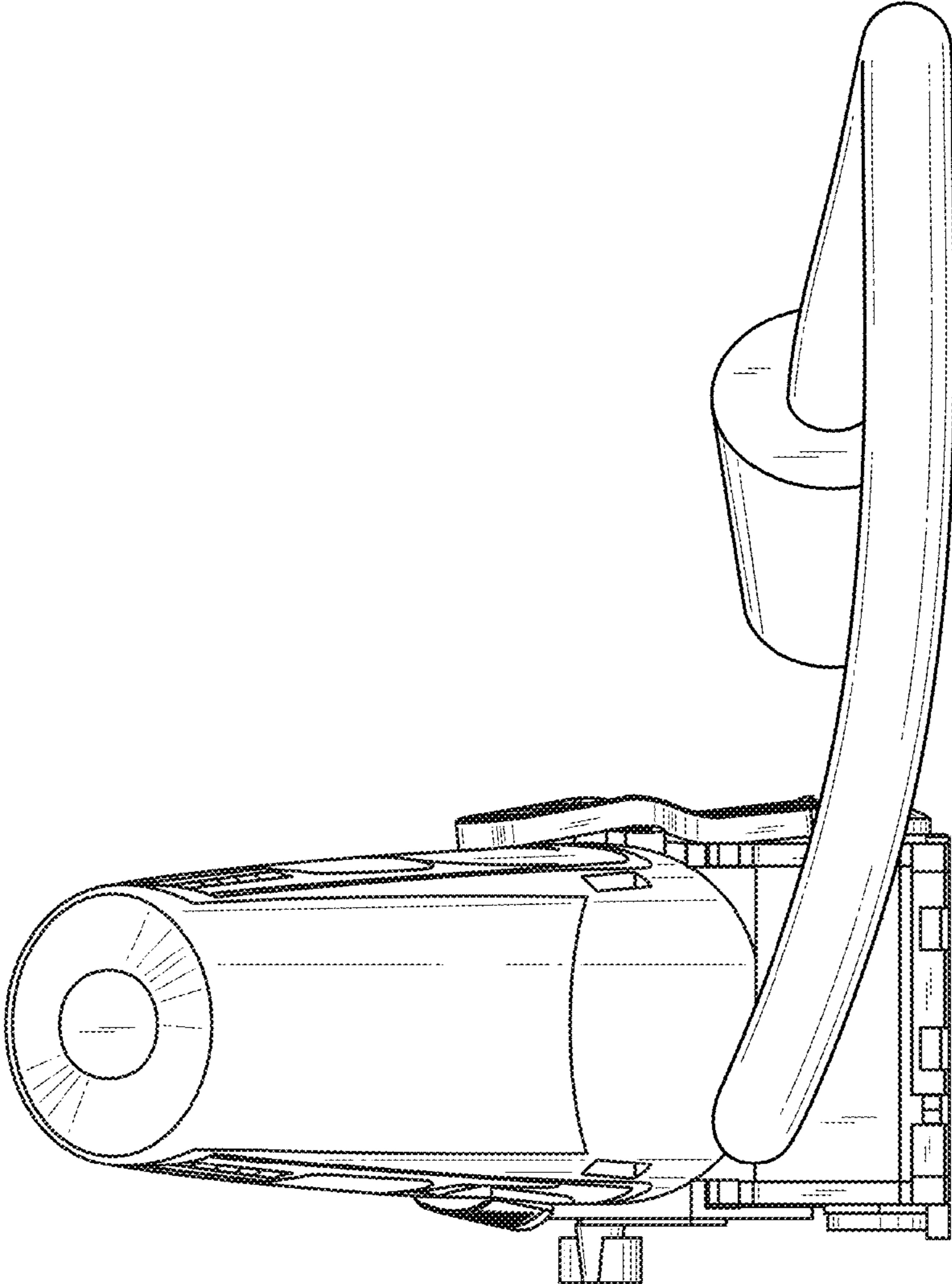


Fig. 13

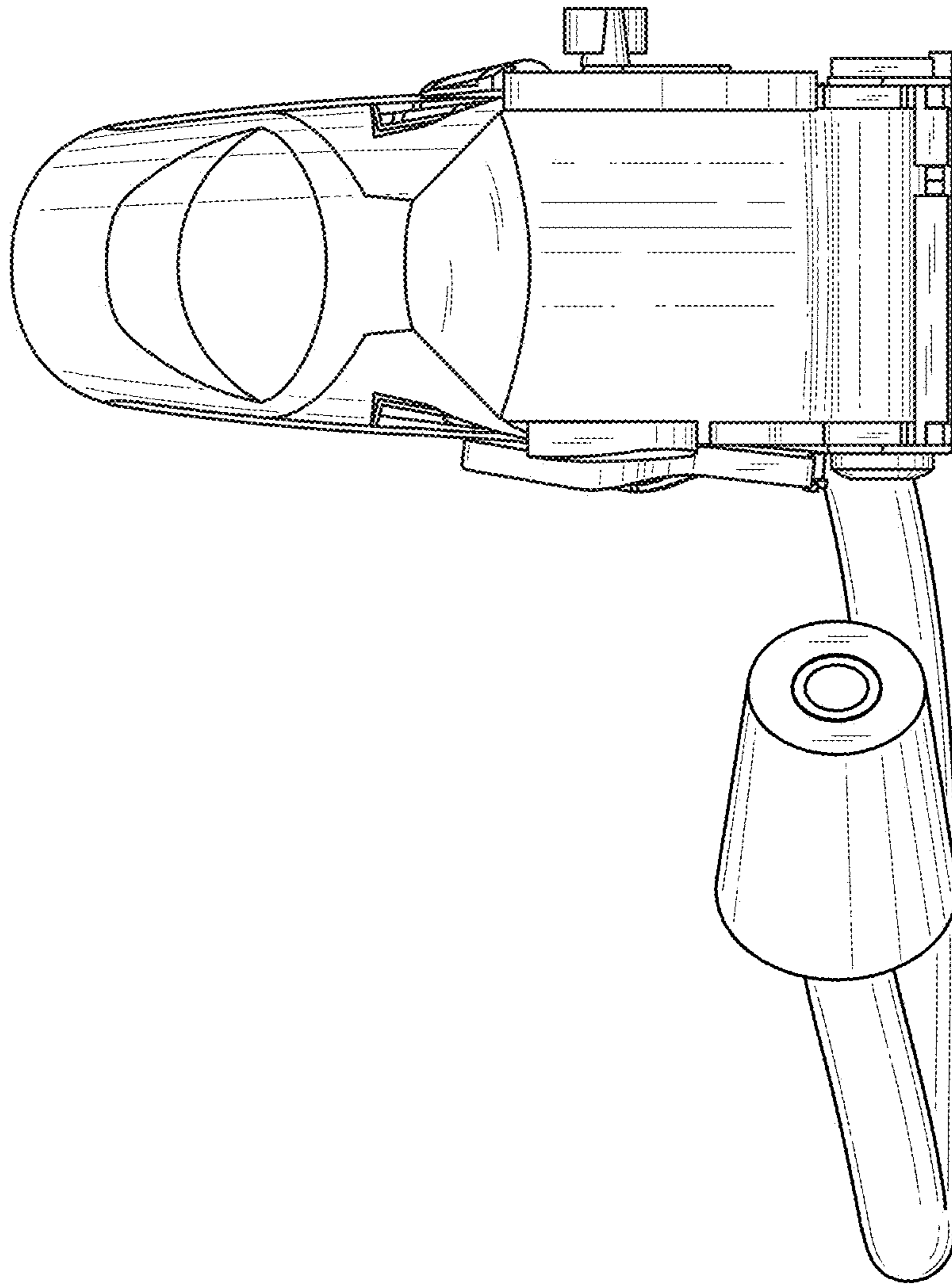


Fig. 14