



US00D693663S

(12) **United States Design Patent**
Groten et al.

(10) **Patent No.:** **US D693,663 S**

(45) **Date of Patent:** **** Nov. 19, 2013**

(54) **TUBE CUTTERS**
(71) Applicant: **Zenten Bernhard Groten, S.L., Irun (ES)**
(72) Inventors: **Alberto Groten, Irun (ES); Manuel Aizpurua, Irun (ES)**
(73) Assignee: **Zenten Bernhard Groten S.L., Irun (ES)**
(**) Term: **14 Years**

4,084,317 A 4/1978 Nakamura et al.
D252,666 S 8/1979 Sakamoto
RE30,613 E 5/1981 Nakamura et al.
D270,514 S 9/1983 Muromoto
D367,213 S * 2/1996 Azkona D8/60
D384,869 S 10/1997 Aubriot
D399,399 S * 10/1998 Huang D8/60
D423,895 S 5/2000 Azkona
6,098,291 A 8/2000 Wang
D449,208 S 10/2001 Ping
6,305,087 B1 10/2001 Huang
6,513,245 B1 2/2003 Aubriot
D497,784 S 11/2004 Picaza
7,127,819 B1 10/2006 Huang

(Continued)

(21) Appl. No.: **29/444,036**

(22) Filed: **Jan. 25, 2013**

(30) **Foreign Application Priority Data**

Jul. 30, 2012 (EM) 002080986-0003

(51) **LOC (9) Cl.** **08-03**

(52) **U.S. Cl.**
USPC **D8/60**

(58) **Field of Classification Search**
USPC D8/1, 4, 5, 14, 51-60, 107; 30/92-108,
30/249-251
See application file for complete search history.

(56) **References Cited**

U.S. PATENT DOCUMENTS

D161,438 S * 1/1951 Franck D8/60
2,630,029 A * 3/1953 Franck 408/186
D191,011 S * 8/1961 Noveske D8/60
3,013,335 A * 12/1961 Kowal 30/94
3,022,575 A * 2/1962 Wright 30/102
D192,447 S * 3/1962 Ayer D8/60
3,041,723 A * 7/1962 Franck 30/102
3,082,523 A * 3/1963 Modes et al. 30/90.1
3,403,442 A * 10/1968 Reese et al. 30/164.95
3,520,057 A * 7/1970 Gore et al. 30/102
3,522,617 A * 8/1970 Kowal 7/157

OTHER PUBLICATIONS

Zenten Bernhard Groten S.L., Zenten Bernhard Groten S.L. Professional Tools, catalog, 2007, Spain.

Primary Examiner — Deanna L Pratt

(74) *Attorney, Agent, or Firm* — Cook Alex Ltd.

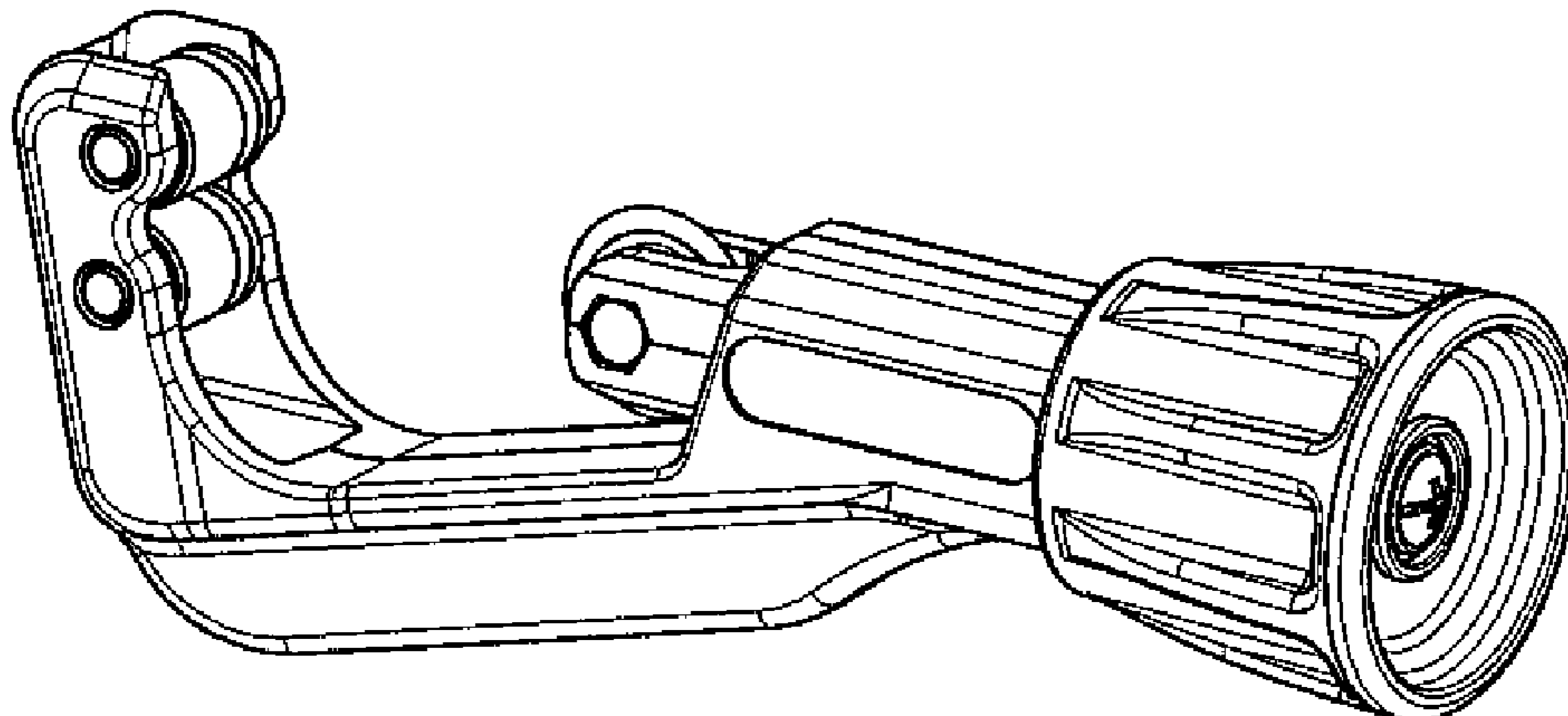
(57) **CLAIM**

The ornamental design for the tube cutters, as shown and described.

DESCRIPTION

FIG. 1 is a perspective view is a perspective view of a tube cutters showing our new design;
FIG. 2 is a second perspective view of a tube cutters showing our new design taken from the opposite side to FIG. 1;
FIG. 3 is an elevational view taken from the right-hand side of FIG. 1;
FIG. 4 is an elevational view taken from the right-hand side of FIG. 2;
FIG. 5 is an elevational view taken from the bottom of FIG. 1; and,
FIG. 6 is an elevational view taken from the top of FIG. 1.

1 Claim, 4 Drawing Sheets



(56)

References Cited

U.S. PATENT DOCUMENTS

D574,678 S 8/2008 Lin
D581,233 S 11/2008 Sullivan
D612,221 S 3/2010 Groten et al.

2008/0141538 A1 6/2008 Nandkumar et al.
2008/0307657 A1 12/2008 Macsay et al.
2009/0090008 A1* 4/2009 Nagasoe 30/101

* cited by examiner

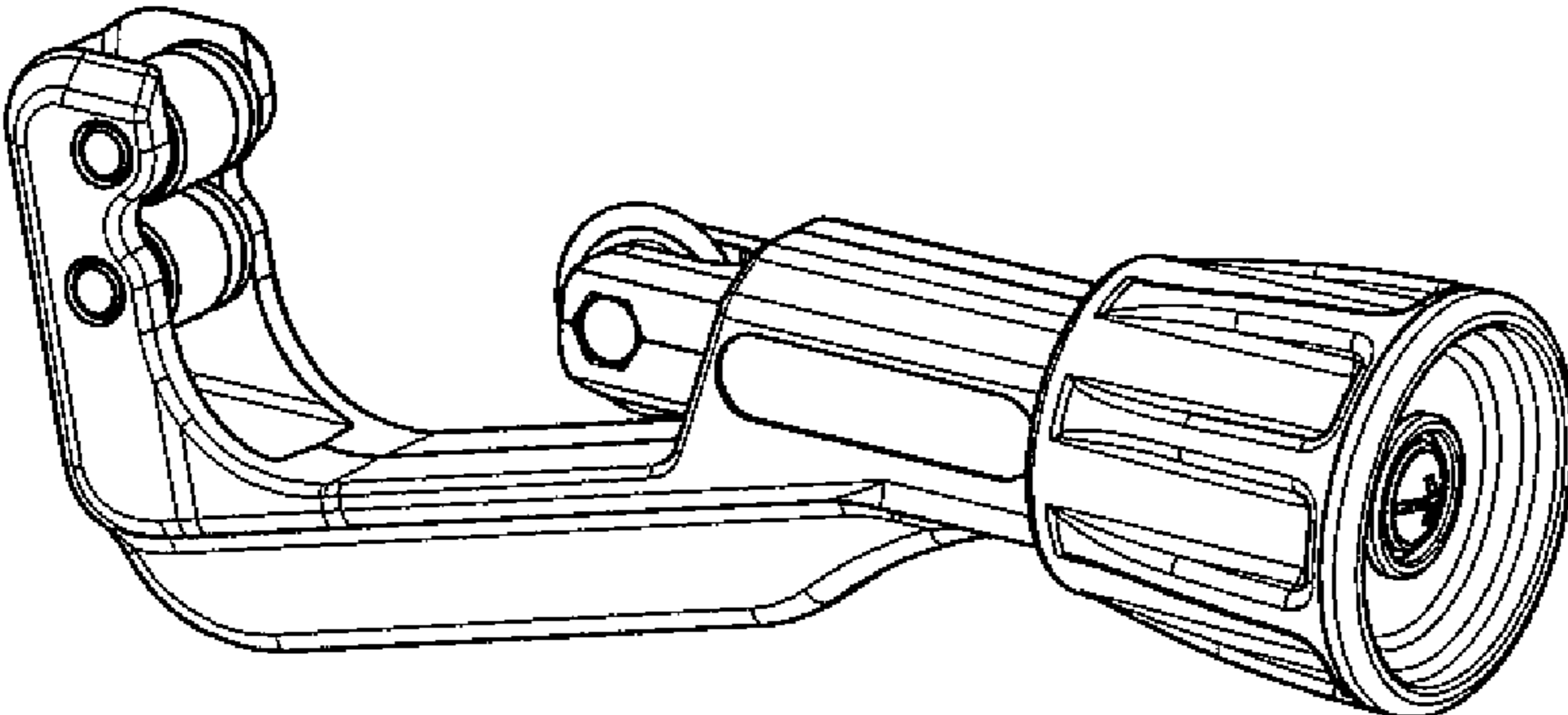


FIG. 1

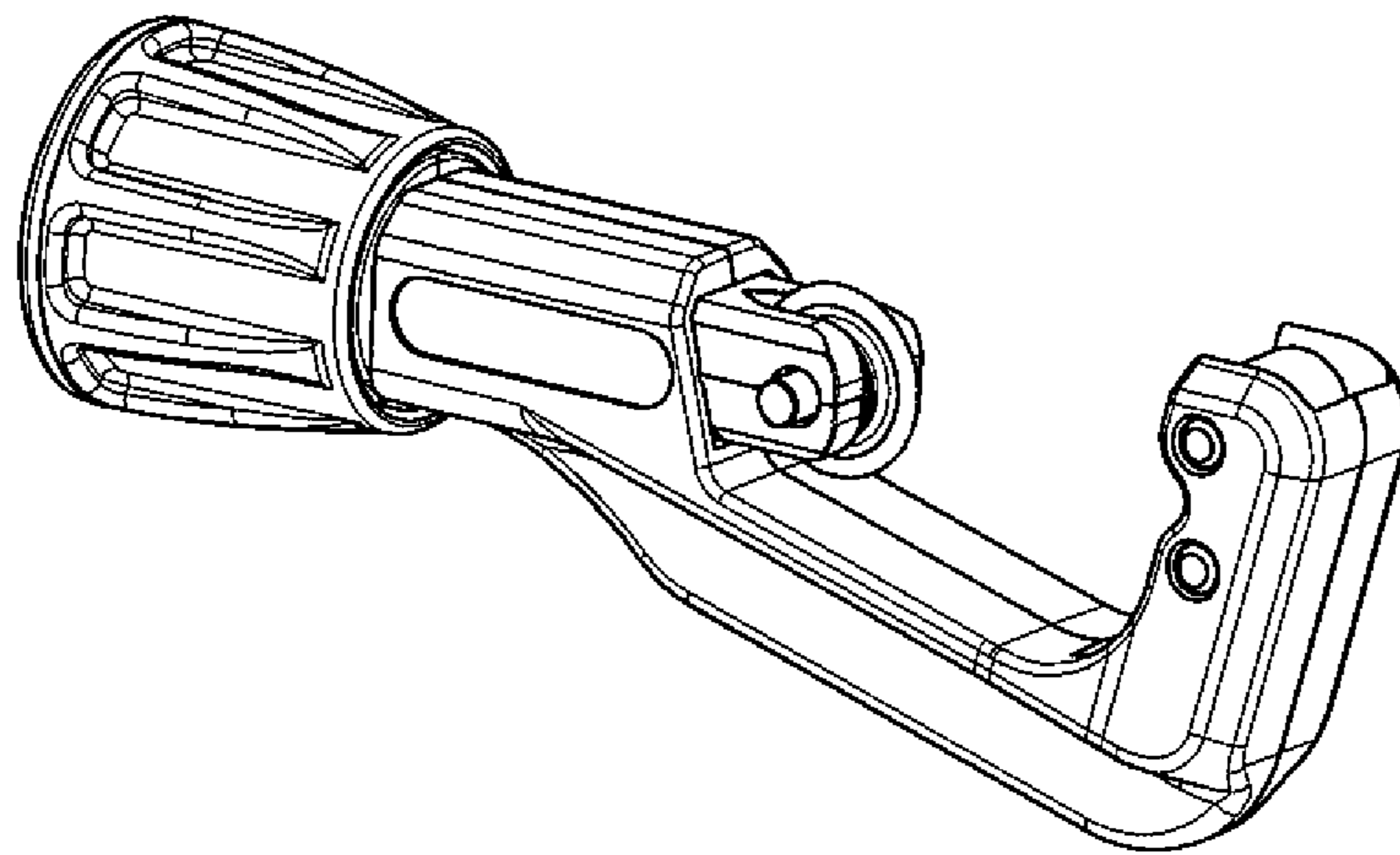


FIG. 2

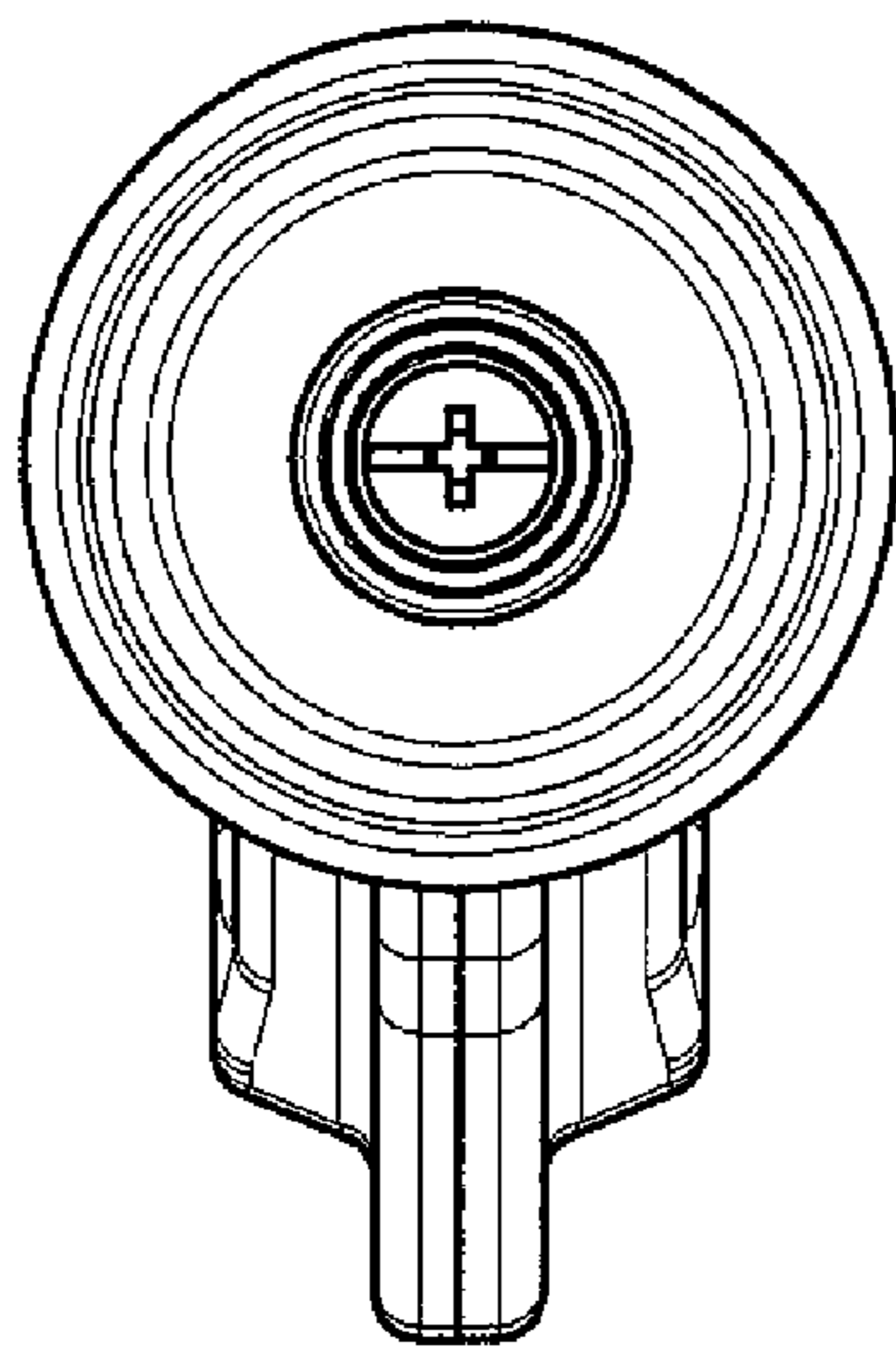


FIG. 3

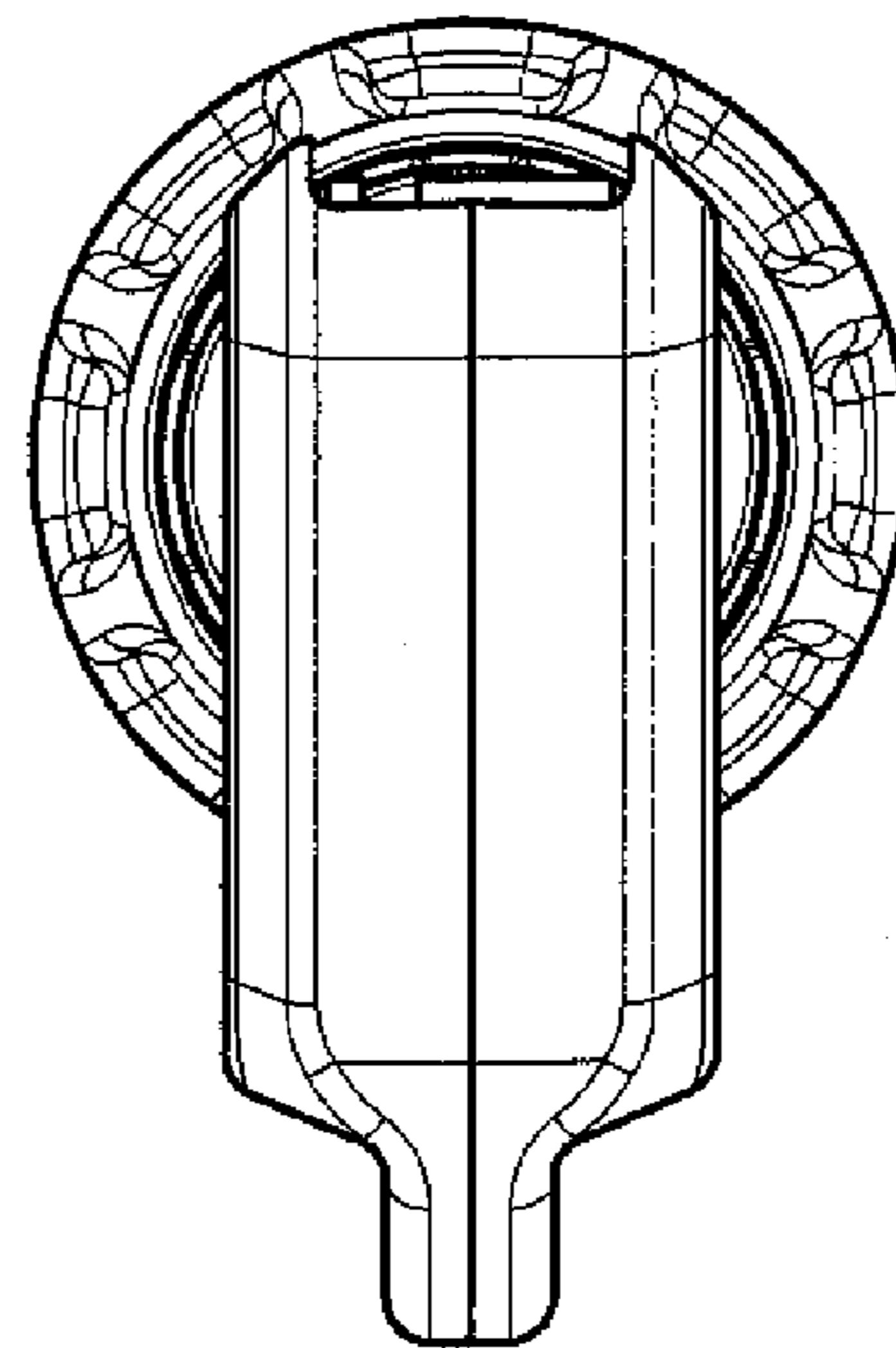


FIG. 4

FIG. 5

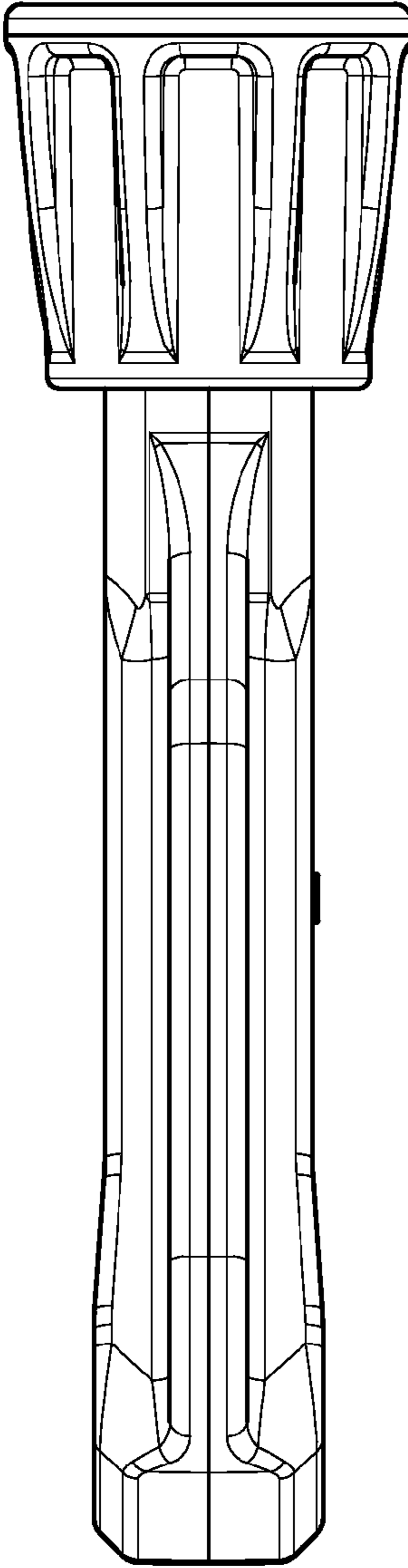


FIG. 6

