



US00D693662S

(12) **United States Design Patent**
Groten et al.

(10) **Patent No.:** **US D693,662 S**

(45) **Date of Patent:** **** Nov. 19, 2013**

(54) **TUBE CUTTERS**

(71) Applicant: **Zenten Bernhard Groten, S.L.**, Irun (ES)

(72) Inventors: **Alberto Groten**, Irun (ES); **Manuel Aizpurua**, Irun (ES)

(73) Assignee: **Zenten Bernhard Groten S.L.**, Irun (ES)

(**) Term: **14 Years**

(21) Appl. No.: **29/442,548**

(22) Filed: **Mar. 21, 2013**

(30) **Foreign Application Priority Data**

Sep. 21, 2012 (EM) 002106997

(51) **LOC (9) Cl.** **08-03**

(52) **U.S. Cl.**
USPC **D8/60**

(58) **Field of Classification Search**
USPC D8/1, 4, 5, 14, 51-60, 107; 30/92-108,
30/249-251

See application file for complete search history.

(56) **References Cited**

U.S. PATENT DOCUMENTS

| | | | | | | |
|-----------|----|---|---------|--------------|-------|-----------|
| D99,190 | S | * | 4/1936 | Dobrick | | D8/60 |
| 2,630,029 | A | * | 3/1953 | Franck | | 408/186 |
| D191,011 | S | * | 8/1961 | Noveske | | D8/60 |
| 3,013,335 | A | * | 12/1961 | Kowal | | 30/94 |
| 3,022,575 | A | * | 2/1962 | Wright | | 30/102 |
| 3,171,199 | A | * | 3/1965 | Meese | | 30/94 |
| 3,403,442 | A | * | 10/1968 | Reese et al. | | 30/164.95 |
| D367,213 | S | * | 2/1996 | Azkona | | D8/60 |
| D399,399 | S | * | 10/1998 | Huang | | D8/60 |
| 6,226,823 | B1 | * | 5/2001 | Ma Gee | | 7/157 |

* cited by examiner

Primary Examiner — Deanna L Pratt

(74) *Attorney, Agent, or Firm* — Cook Alex Ltd.

(57) **CLAIM**

The ornamental design for the tube cutters, as shown and described.

DESCRIPTION

FIG. 1 is a first perspective view of a tube cutters showing our new design;

FIG. 2 is a second perspective view thereof;

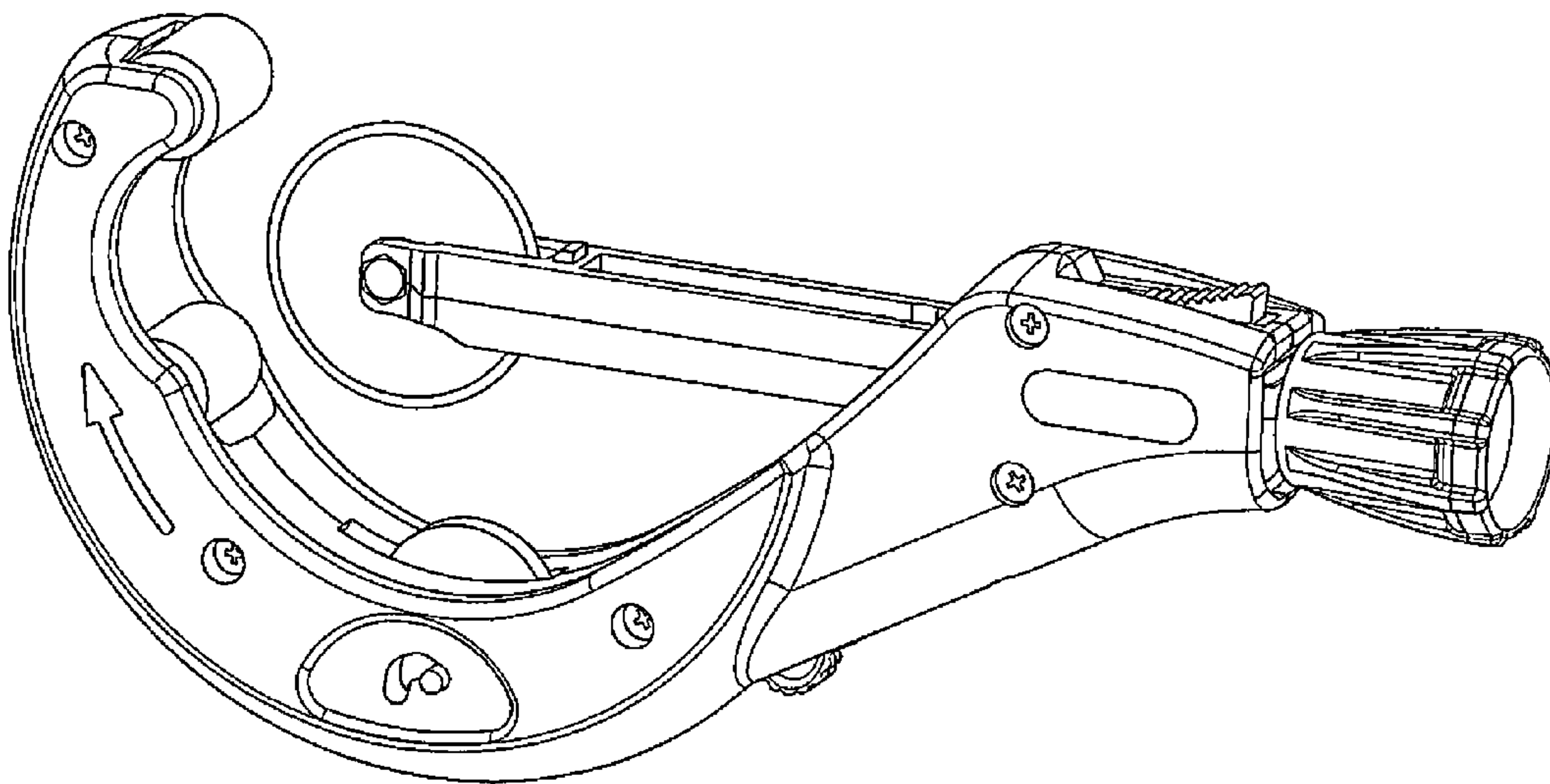
FIG. 3 is an elevational end view taken from the right-hand side of FIG. 1.

FIG. 4 is an elevational end view taken from the left-hand side of FIG. 1;

FIG. 5 is a top view of the tube cutter of FIG. 1; and,

FIG. 6 is a bottom view of the tube cutter of FIG. 1.

1 Claim, 4 Drawing Sheets



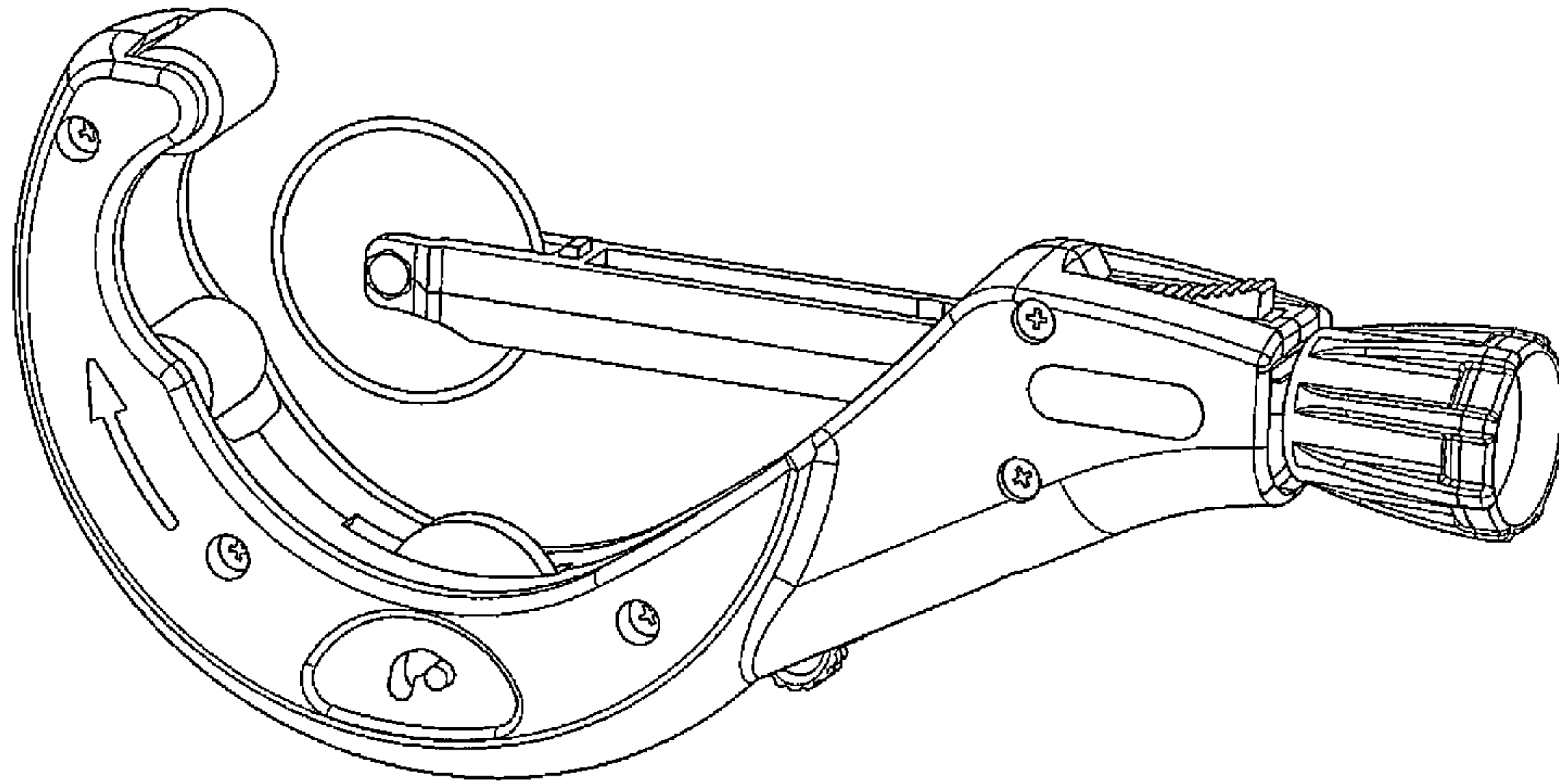


FIG. 1

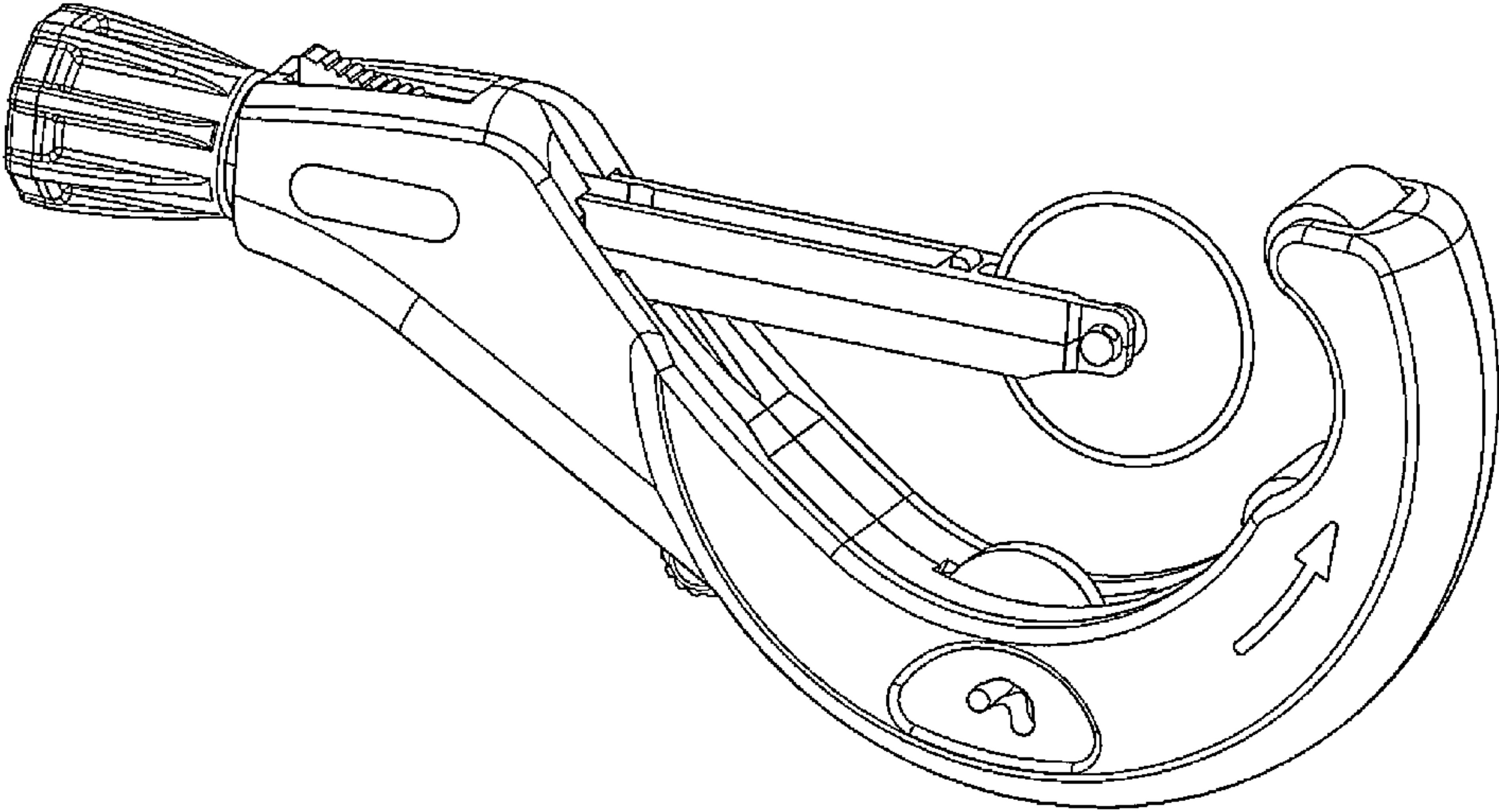


FIG. 2

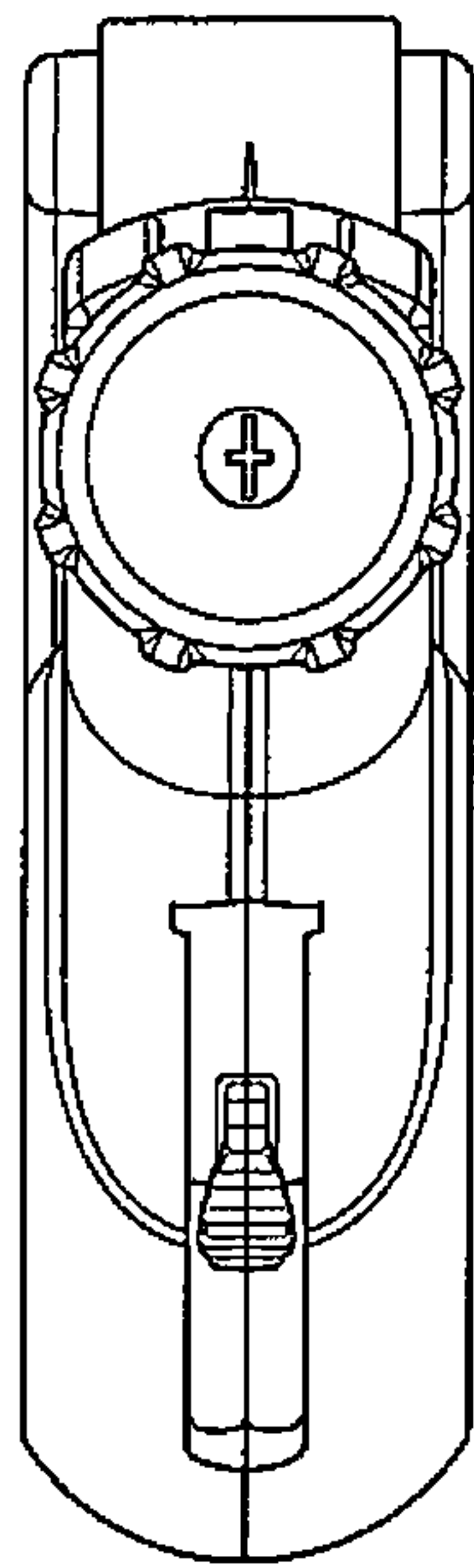


FIG. 3

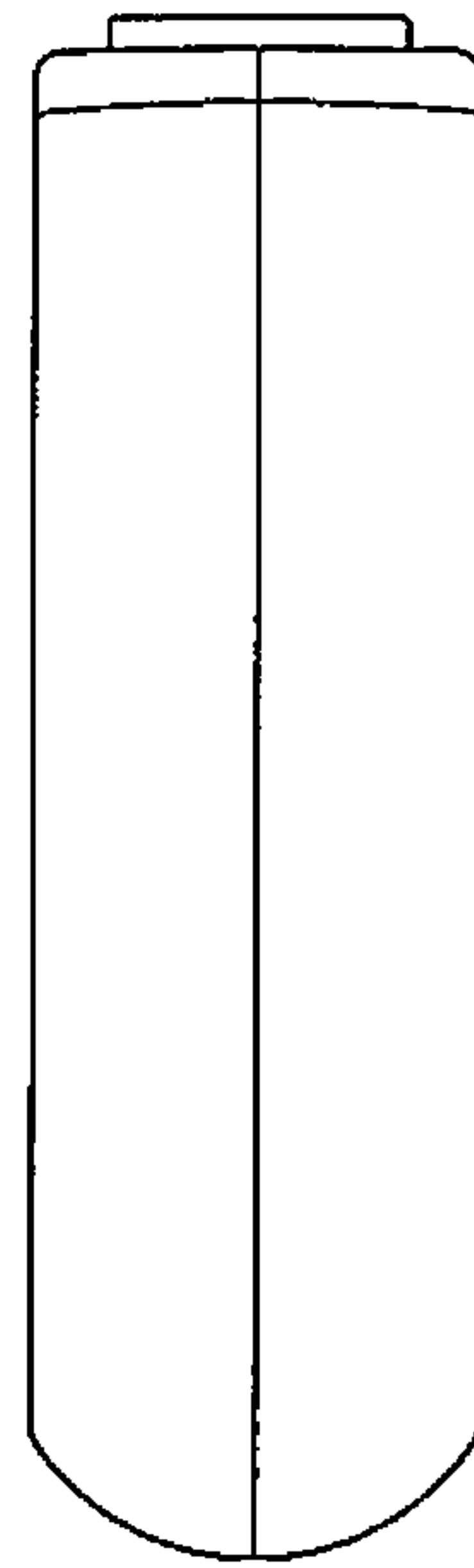


FIG. 4

FIG. 5

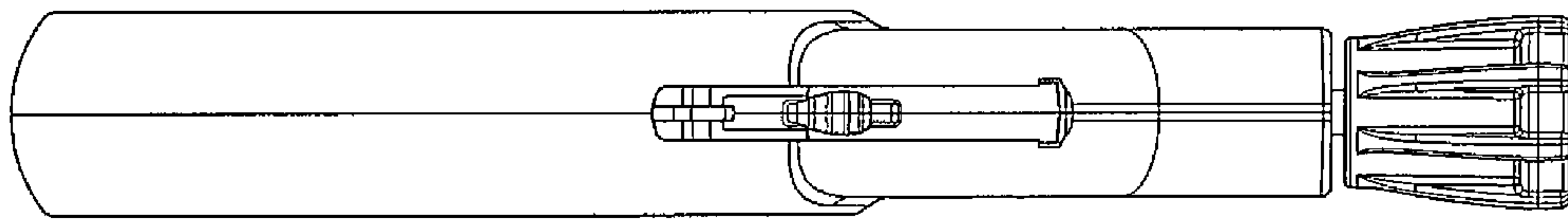
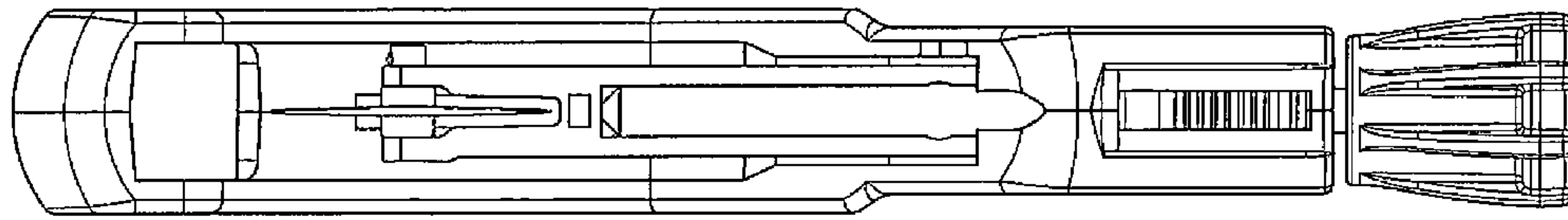


FIG. 6