

US00D693661S

(12) **United States Design Patent**
Fosberg, Jr. et al.

(10) **Patent No.:** **US D693,661 S**
(45) **Date of Patent:** **** Nov. 19, 2013**

(54) **RECIPROCATING SAW BLADE**
(75) Inventors: **Douglas K. Fosberg, Jr.**, Wilbraham,
MA (US); **Charles M. O’Keefe**,
Monson, MA (US)
(73) Assignee: **Irwin Industrial Tool Company**,
Huntersville, NC (US)

2,394,035 A 2/1946 Blum
2,534,424 A 12/1950 Dryden
2,568,870 A 9/1951 Ronan
2,635,327 A 4/1953 Enlow
2,637,355 A 5/1953 Chapin
2,682,098 A 6/1954 Wilcox
2,916,066 A 12/1959 Morse

(Continued)

(**) Term: **14 Years**
(21) Appl. No.: **29/398,004**
(22) Filed: **Jul. 25, 2011**

Related U.S. Application Data

(62) Division of application No. 29/362,234, filed on May
21, 2010, now Pat. No. Des. 642,028.
(51) **LOC (9) Cl.** **08-03**
(52) **U.S. Cl.**
USPC **D8/20**
(58) **Field of Classification Search**
USPC D8/16, 18–20, 64, 95–104; D22/117,
D22/118; D24/146; 7/118, 148; 30/142,
30/144, 165, 166.3, 272.1, 314, 320, 346,
30/346.5, 346.55, 346.56, 349, 351,
30/355–357
See application file for complete search history.

(56) **References Cited**

U.S. PATENT DOCUMENTS

603,128 A 4/1898 Clemson
820,969 A 5/1906 Grelok
1,181,529 A 5/1916 Hutton
1,381,478 A 6/1921 Lawrence
1,381,930 A 6/1921 Morgan
1,390,400 A 9/1921 Threet
2,126,382 A 8/1938 Goff
2,227,864 A 1/1941 Ronan
2,241,703 A 5/1941 Gommel
2,242,137 A 5/1941 Miller

FOREIGN PATENT DOCUMENTS

DE 19501019 1/1995
DE 10300392 7/2004
JP 2000271817 10/2000

Primary Examiner — Garth Rademaker

(74) *Attorney, Agent, or Firm* — McCarter & English, LLP

(57) **CLAIM**

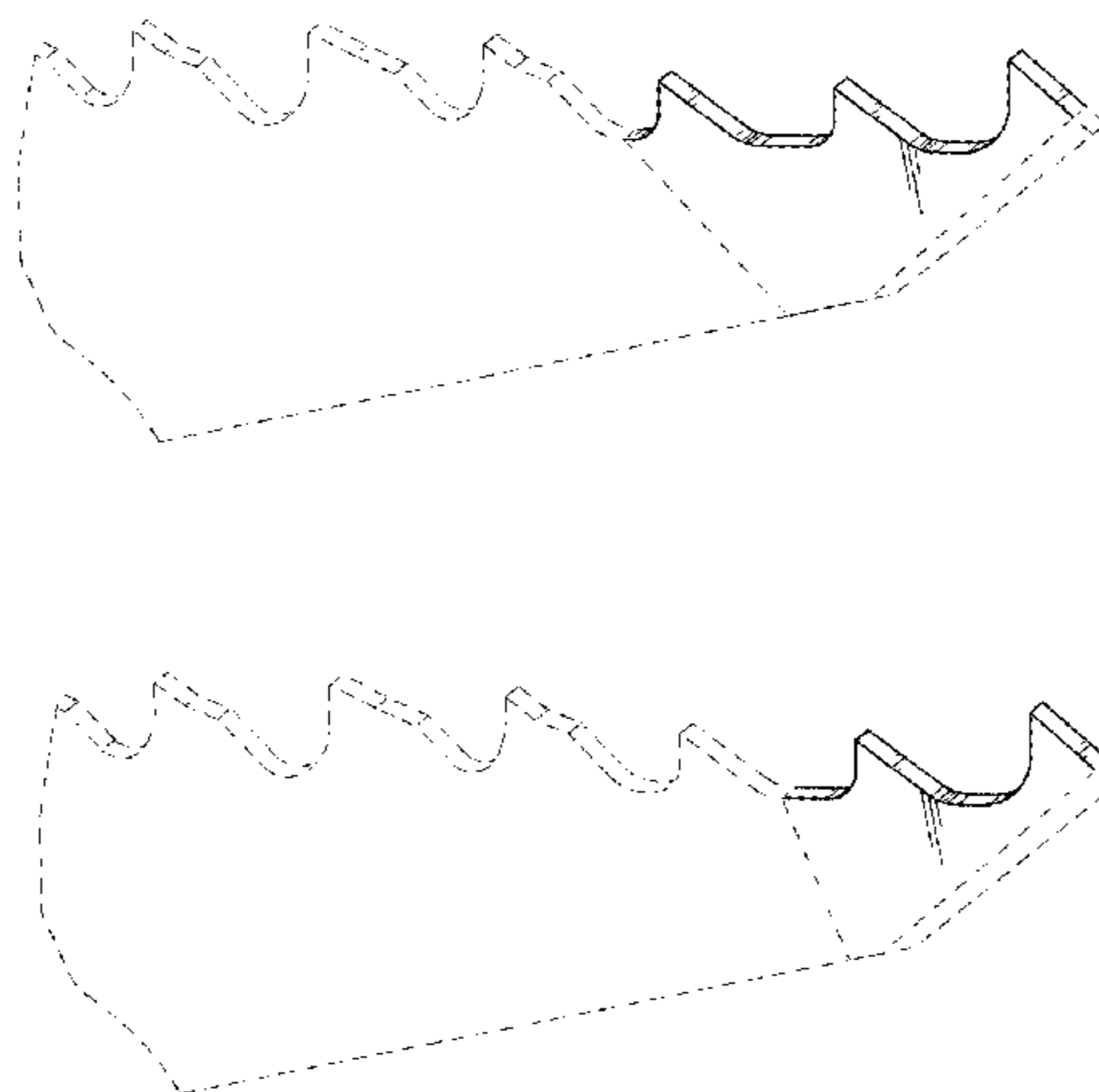
The ornamental design for a reciprocating saw blade, as
shown and described.

DESCRIPTION

FIG. 1 is a front perspective view of a first embodiment of a
reciprocating saw blade showing the present invention;
FIG. 2 is a side elevational view thereof;
FIG. 3 is a top view thereof;
FIG. 4 is a bottom view thereof; and
FIG. 5 is a front elevational view thereof.
FIG. 6 is a front perspective view of a second embodiment of
a reciprocating saw blade showing the present invention;
FIG. 7 is a side elevational view thereof;
FIG. 8 is a top view thereof;
FIG. 9 is a bottom view thereof; and,
FIG. 10 is a front elevational view thereof.

The broken lines in the drawings show structure or bound-
aries that are not part of the claimed design, but rather show
the environment in which the design is associated, or show
portions of the article in which the design is embodied or
applied to that are not considered part of the claimed design.

1 Claim, 4 Drawing Sheets



(56)

References Cited

U.S. PATENT DOCUMENTS

2,987,086 A	6/1961	Westlund, Jr.	6,244,152 B1	6/2001	Di Nicolantonio
3,028,889 A	4/1962	McCarty	6,257,226 B1	7/2001	Hayden
3,033,251 A	5/1962	Atkinson et al.	6,269,722 B1	8/2001	Hellbergh
3,111,970 A	11/1963	Priest et al.	6,276,248 B1	8/2001	Cranna
3,171,457 A	3/1965	Brown	6,276,249 B1	8/2001	Handshuh
3,292,674 A	12/1966	Turner	6,357,122 B2	3/2002	Bachta
3,309,756 A	3/1967	Segal	6,357,124 B1	3/2002	Wall
3,314,456 A	4/1967	Craven	6,363,827 B1	4/2002	Osing
3,357,462 A	12/1967	Craven	6,439,094 B1	8/2002	Yoneda et al.
3,576,061 A	4/1971	Pahlitzsch	6,520,722 B2	2/2003	Hopper
3,576,200 A	4/1971	Elmes	6,532,852 B1	3/2003	Tsujimoto
4,179,967 A	12/1979	Clark	6,598,509 B2	7/2003	Cook
4,232,578 A	11/1980	Crosby	D482,945 S	12/2003	Grolimund
D257,943 S	1/1981	Finlay	6,834,573 B1	12/2004	Nakahara
4,292,871 A	10/1981	Neumeyer	7,036,415 B2	5/2006	Tsujimoto
RE31,433 E	11/1983	Clark	7,036,417 B2	5/2006	Alton
4,557,172 A	12/1985	Yoneda	7,127,979 B2	10/2006	Kocher et al.
4,688,458 A	8/1987	Krilov	7,131,365 B2	11/2006	Hall et al.
4,727,788 A	3/1988	Yoshida et al.	D534,401 S	1/2007	Duffin et al.
4,784,033 A	11/1988	Hayden	7,174,823 B2	2/2007	Cranna
4,784,034 A	11/1988	Stones	7,225,714 B2	6/2007	Rompel
4,798,001 A	1/1989	Grossmann	7,568,416 B2	8/2009	Tsujimoto
4,802,396 A	2/1989	Kuklinski	7,600,458 B2	10/2009	Hampton et al.
4,813,324 A	3/1989	Yoshida et al.	D606,820 S	12/2009	Burke, III
4,827,822 A	5/1989	Yoshida	D608,611 S	1/2010	Lowder
D306,817 S	3/1990	McMorrhough	D623,490 S	9/2010	Lauber
4,913,022 A	4/1990	Kuklinski	D637,876 S *	5/2011	Williams D8/20
4,958,546 A	9/1990	Yoshida	2001/0004860 A1	6/2001	Kullmann
5,018,421 A	5/1991	Lucki	2001/0015120 A1	8/2001	Hickey
5,094,135 A	3/1992	Nakahara	2002/0050196 A1	5/2002	Fluhrer
5,095,623 A	3/1992	Williams	2002/0184988 A1	12/2002	Rohman et al.
5,331,876 A	7/1994	Hayden, Sr.	2003/0010179 A1	1/2003	McLuen
5,340,129 A	8/1994	Wright	2003/0051593 A1	3/2003	Kocher et al.
5,410,935 A	5/1995	Holston et al.	2004/0035282 A1	2/2004	Tsujimoto
5,425,296 A	6/1995	Kullmann	2004/0050234 A1	3/2004	Fluhrer
5,433,457 A	7/1995	Wright	2004/0182218 A1	9/2004	Chao
5,477,763 A	12/1995	Kullman	2004/0255740 A1	12/2004	Troyer
5,501,129 A	3/1996	Armstrong	2004/0255749 A1	12/2004	Hayden, Sr.
5,603,252 A	2/1997	Hayden, Sr.	2005/0172416 A1	8/2005	Feliciano
5,606,900 A	3/1997	Stoddard	2005/0211046 A1	9/2005	Thomas et al.
5,697,280 A	12/1997	Armstrong et al.	2005/0257660 A1	11/2005	Hayden
5,832,803 A	11/1998	Hayden, Sr.	2006/0065098 A1	3/2006	Cranna
5,848,473 A	12/1998	Brandenburg	2006/0130628 A1	6/2006	Rompel et al.
5,868,058 A	2/1999	Senegas	2006/0130629 A1	6/2006	Rompel et al.
6,003,422 A	12/1999	Holston	2006/0162526 A1	7/2006	Nagano et al.
6,119,571 A	9/2000	Hayden, Sr.	2007/0193427 A1	8/2007	Hayden, Sr.
6,145,426 A	11/2000	Ward	2007/0199416 A1	8/2007	Cook et al.
6,158,324 A	12/2000	Kullmann et al.	2007/0214922 A1	9/2007	Cook et al.
6,167,792 B1	1/2001	Korb et al.	2007/0251372 A1	11/2007	Petts et al.
6,178,646 B1	1/2001	Schnell	2008/0121079 A1	5/2008	Hashimoto et al.
6,220,139 B1	4/2001	Kobayashi	2008/0307936 A1	12/2008	Elliston et al.
6,220,140 B1	4/2001	Hellebergh	2009/0144992 A1	6/2009	Bucks
6,230,411 B1	5/2001	Wall	2009/0145280 A1	6/2009	Bucks et al.
			2009/0293698 A1	12/2009	Tran et al.

* cited by examiner

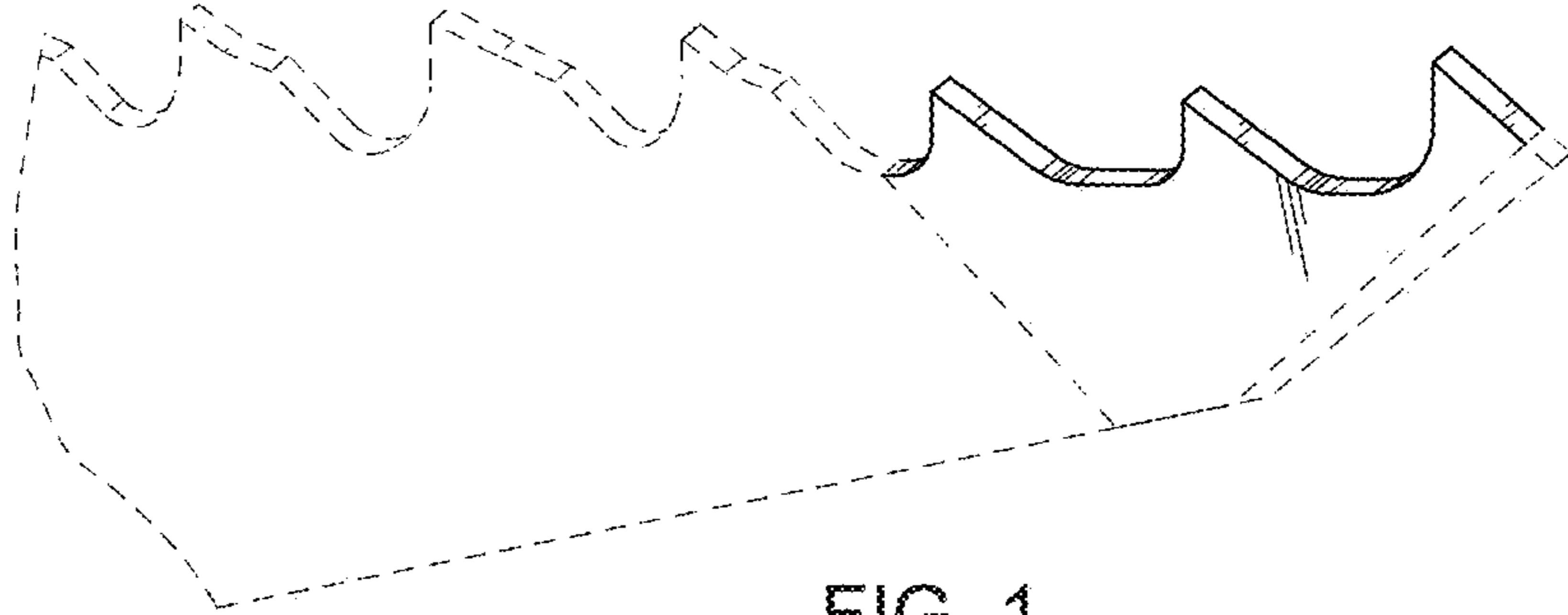


FIG. 1

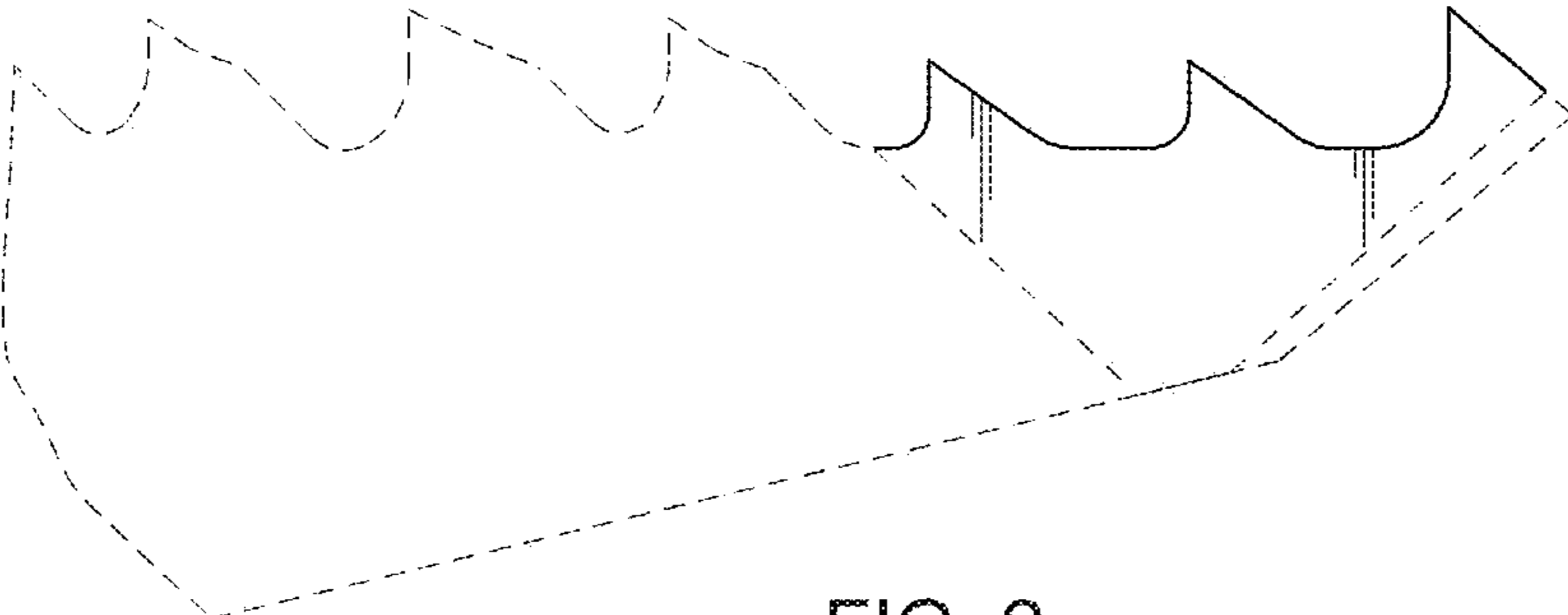


FIG. 2

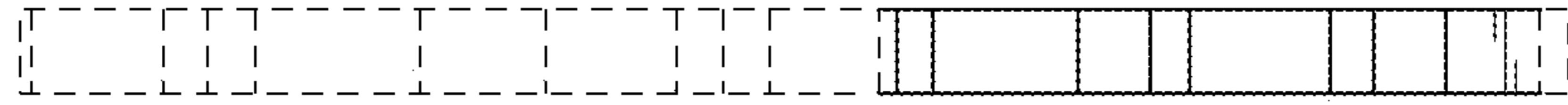


FIG. 3

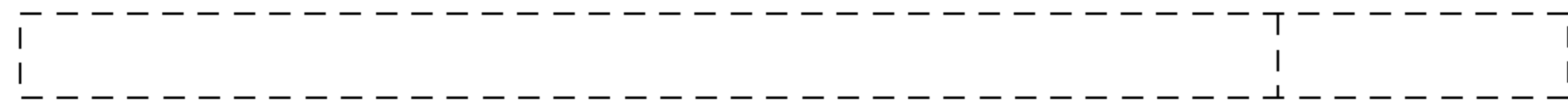


FIG. 4

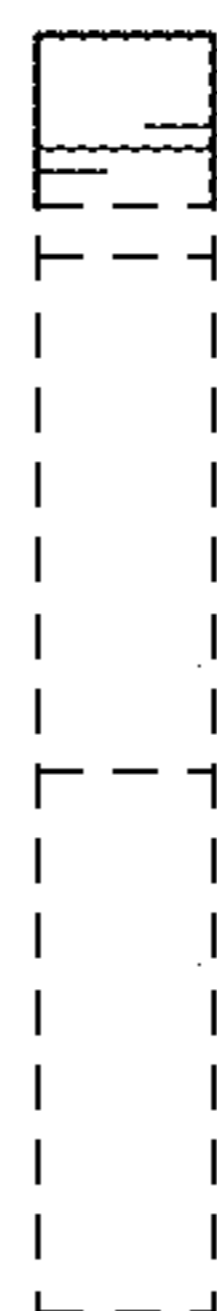


FIG. 5

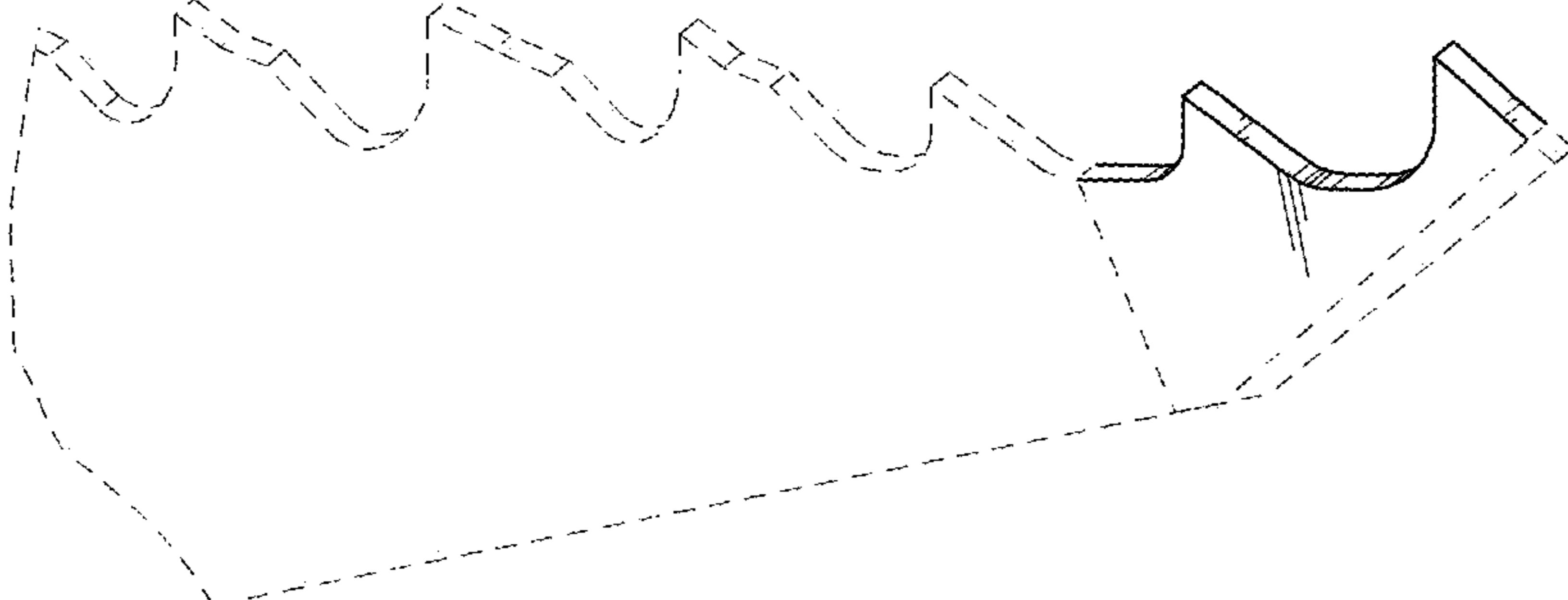


FIG. 6

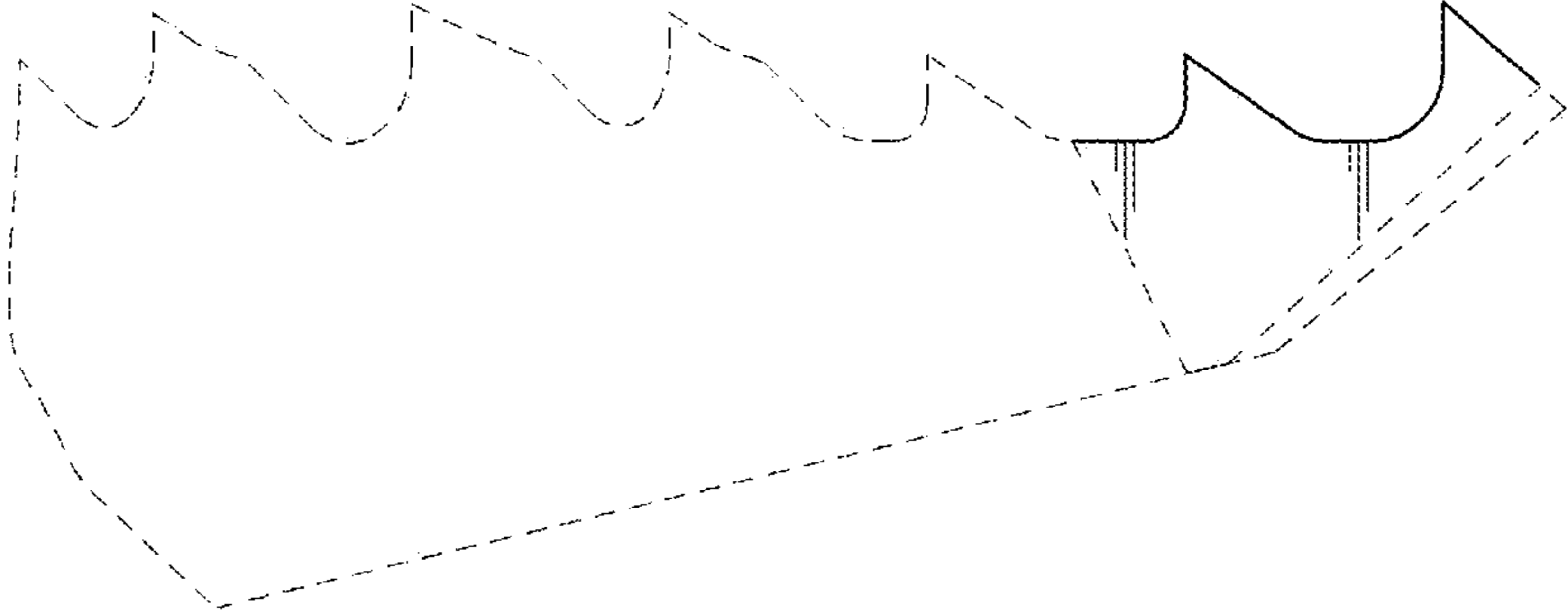


FIG. 7

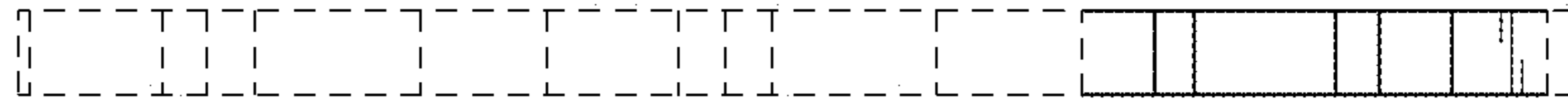


FIG. 8



FIG. 9

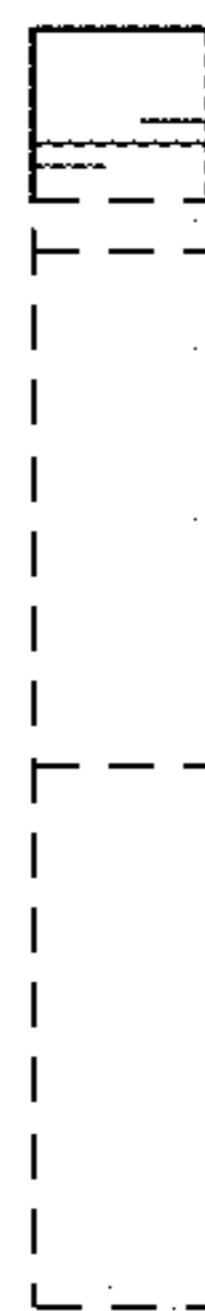


FIG. 10