



US00D693650S

(12) **United States Design Patent**
De Leo

(10) **Patent No.:** **US D693,650 S**

(45) **Date of Patent:** **** Nov. 19, 2013**

(54) **CUP WITH ATTACHED COVER**

(75) Inventor: **Anthony M. De Leo**, Orlando, FL (US)

(73) Assignee: **Dart Industries Inc.**, Orlando, FL (US)

(**) Term: **14 Years**

(21) Appl. No.: **29/421,658**

(22) Filed: **Aug. 28, 2012**

(51) **LOC (9) Cl.** **07-07**

(52) **U.S. Cl.**
USPC **D7/629**

(58) **Field of Classification Search**
USPC D7/629, 602, 601, 612-615, 590-597;
D9/446, 574, 575, 549, 541-543, 559;
220/574-575, 780-806
See application file for complete search history.

(56) **References Cited**

U.S. PATENT DOCUMENTS

D419,394 S *	1/2000	Wilson et al.	D7/629
D507,155 S *	7/2005	Gosen et al.	D7/629
D614,457 S *	4/2010	Jossem et al.	D7/679
D621,667 S *	8/2010	Ablo	D7/629
D643,722 S *	8/2011	Gorskey et al.	D9/446
D666,061 S *	8/2012	Ying	D7/629

* cited by examiner

Primary Examiner — Terry Wallace

(74) *Attorney, Agent, or Firm* — John A. Doninger

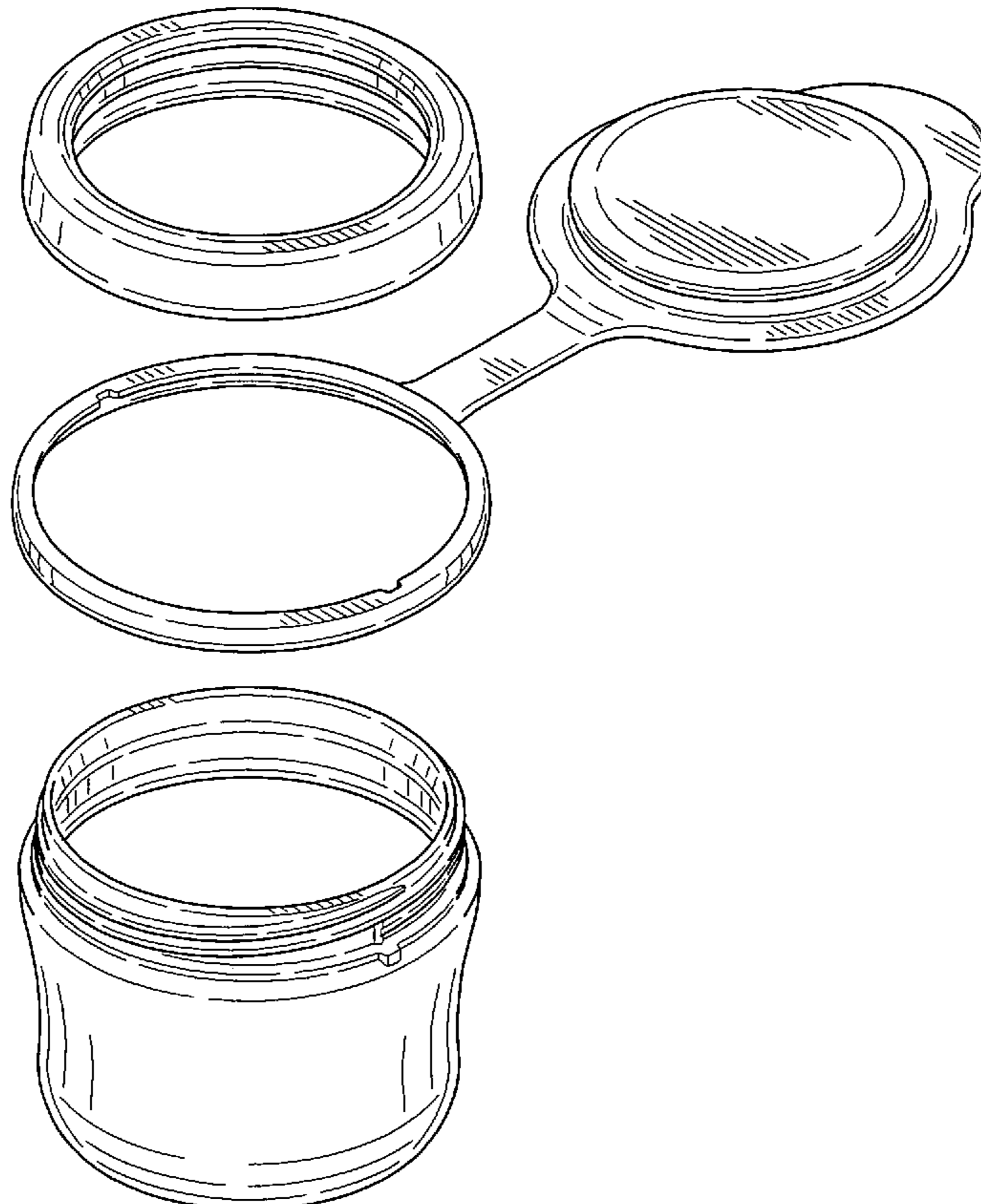
(57) **CLAIM**

The ornamental design for a cup with attached cover, as shown and described.

DESCRIPTION

FIG. 1 is a top, side and front perspective view of a cup with attached cover in the open position showing my new design; FIG. 2 is a bottom, side and front perspective view thereof; FIG. 3 is a front elevation view thereof; FIG. 4 is a rear elevation view thereof; FIG. 5 is a right side elevation view, the left side elevation being a mirror image thereof; FIG. 6 is a top plan view thereof; FIG. 7 is a bottom plan view thereof; FIG. 8 is a cross-sectional view taken along line 8-8 of FIG. 6; FIG. 9 is a cross-sectional view taken along line 9-9 of FIG. 6; FIG. 10 is an exploded view of the cup with attached cover shown in FIG. 1; and, FIG. 11 is a top plan view with the attached cover in the closed position.

1 Claim, 4 Drawing Sheets



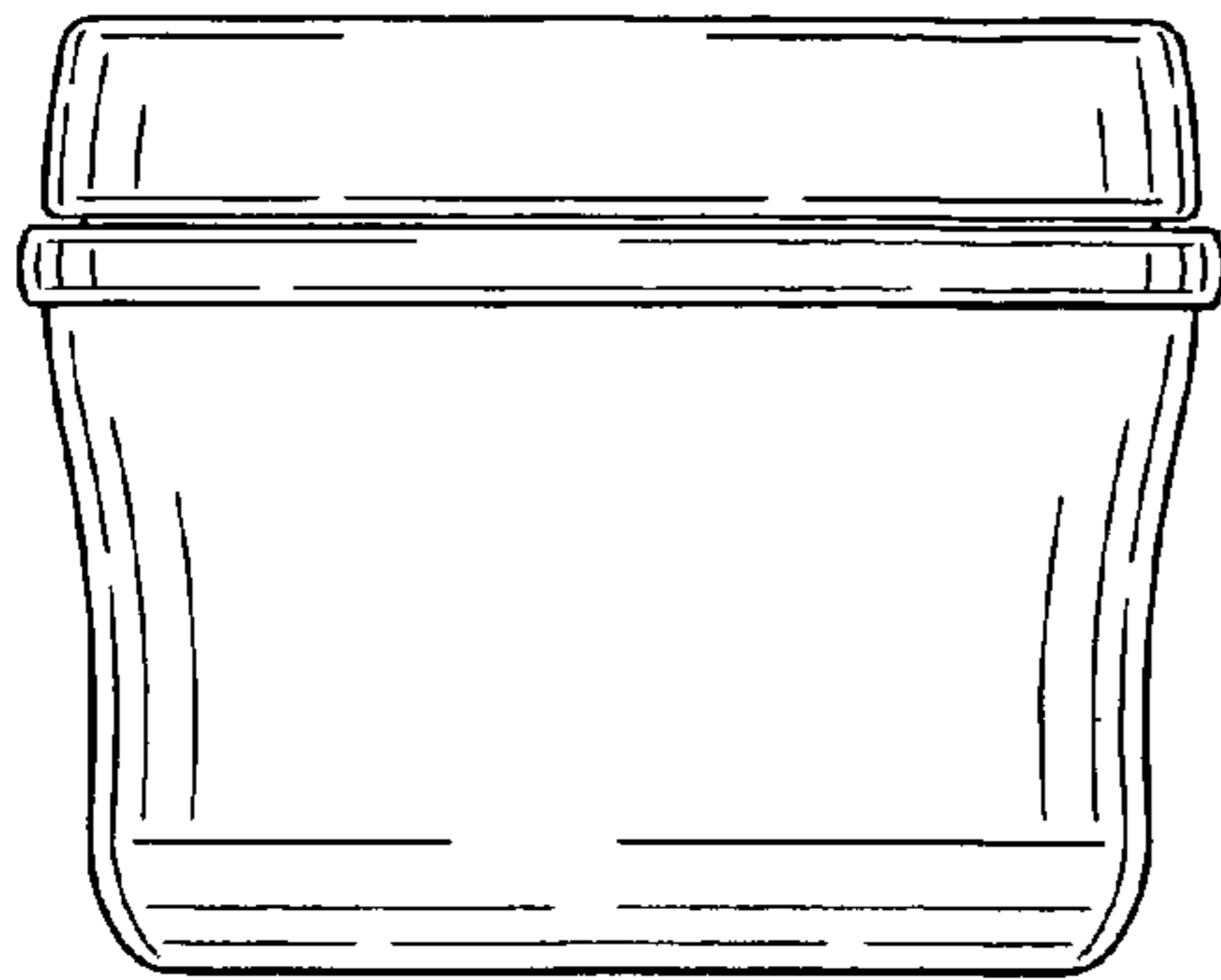


FIG. 3

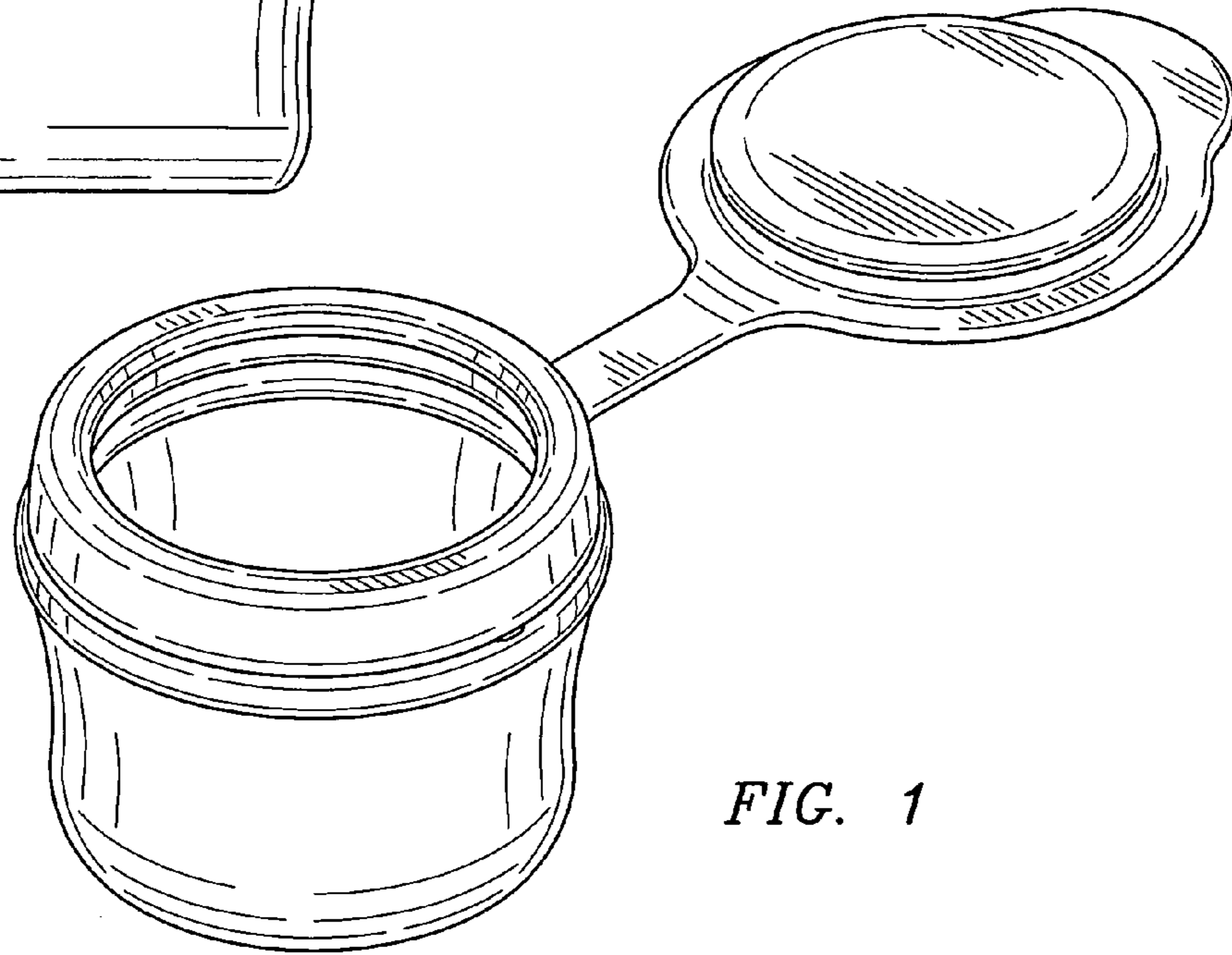


FIG. 1

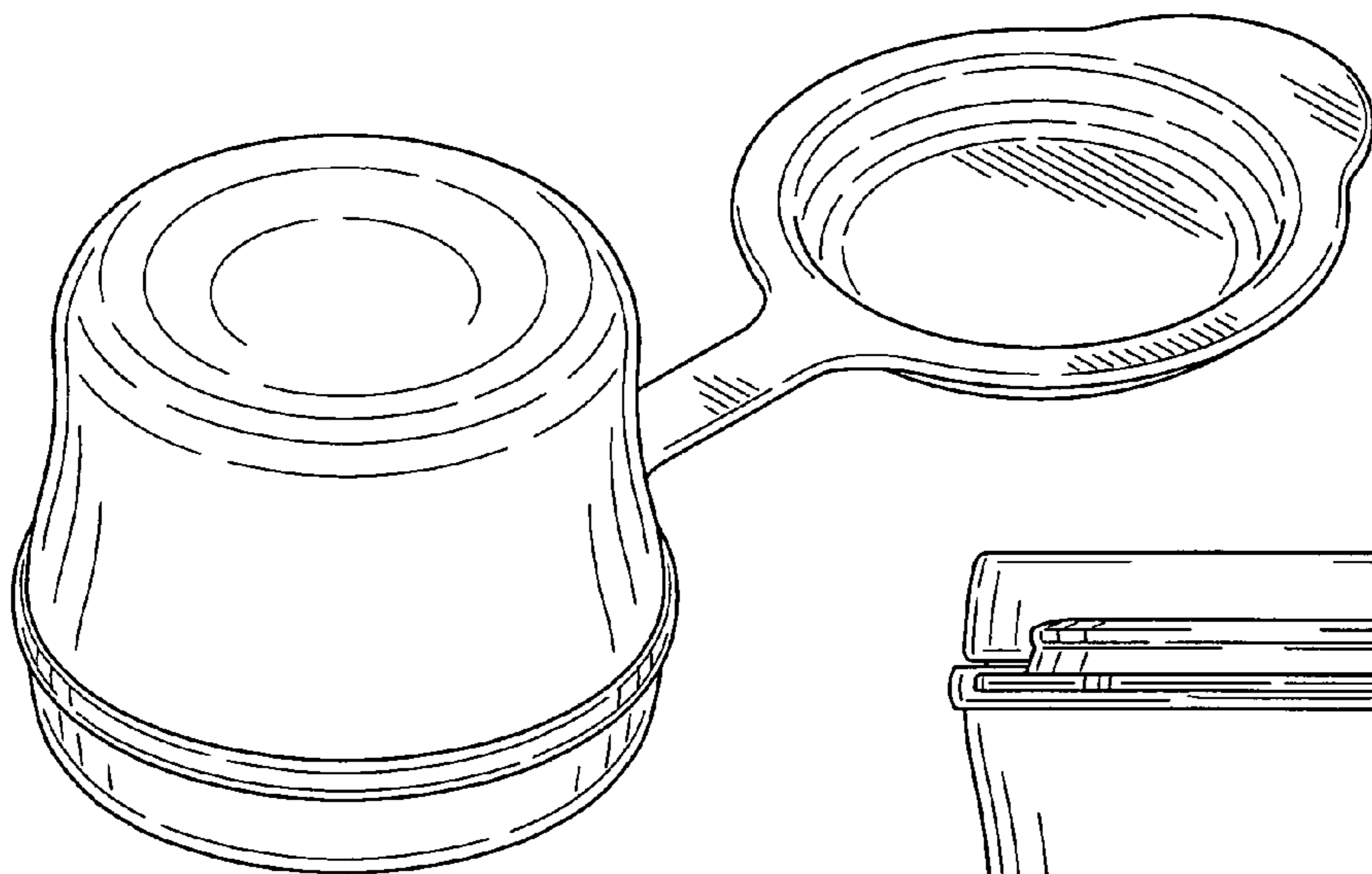
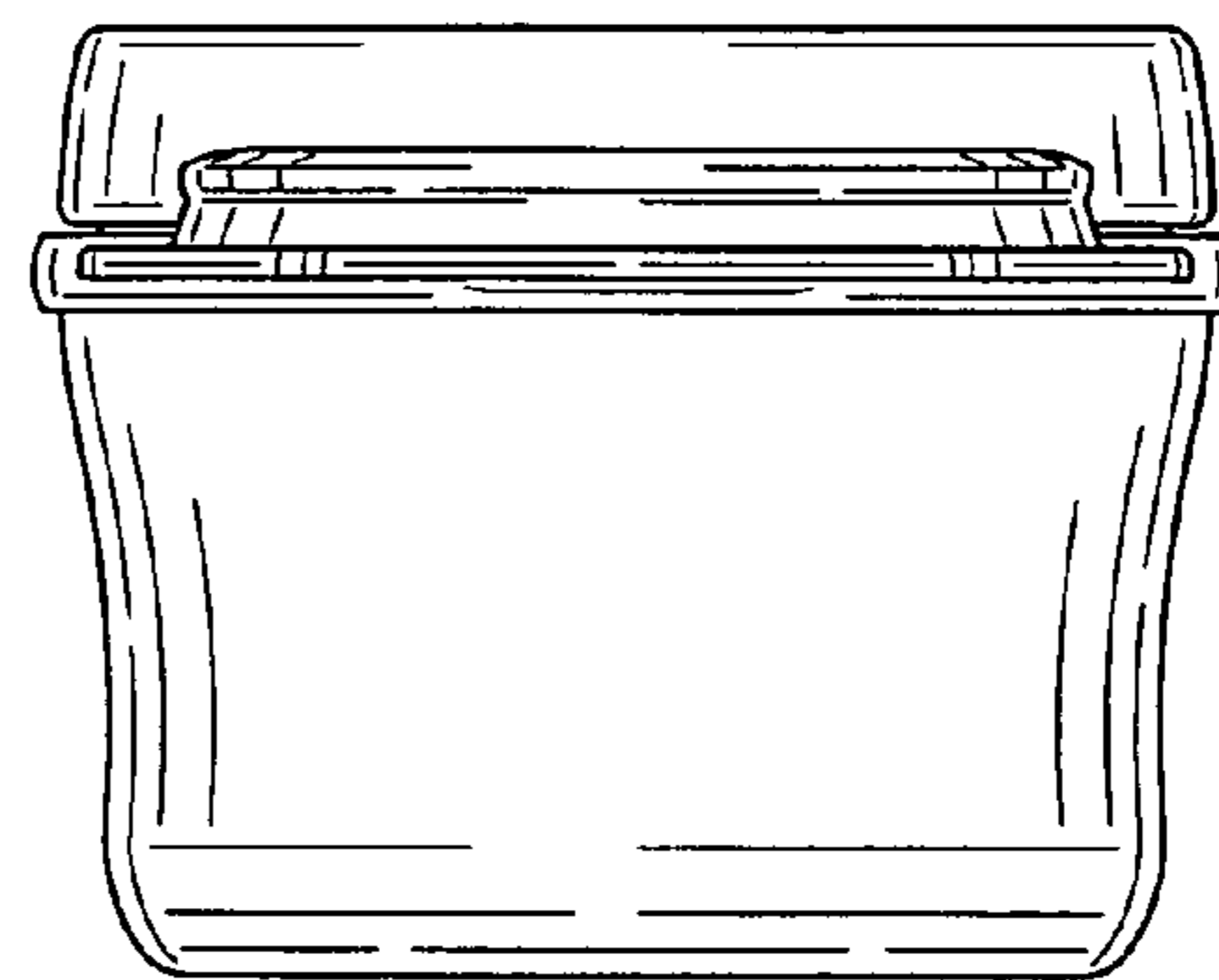


FIG. 2

FIG. 4



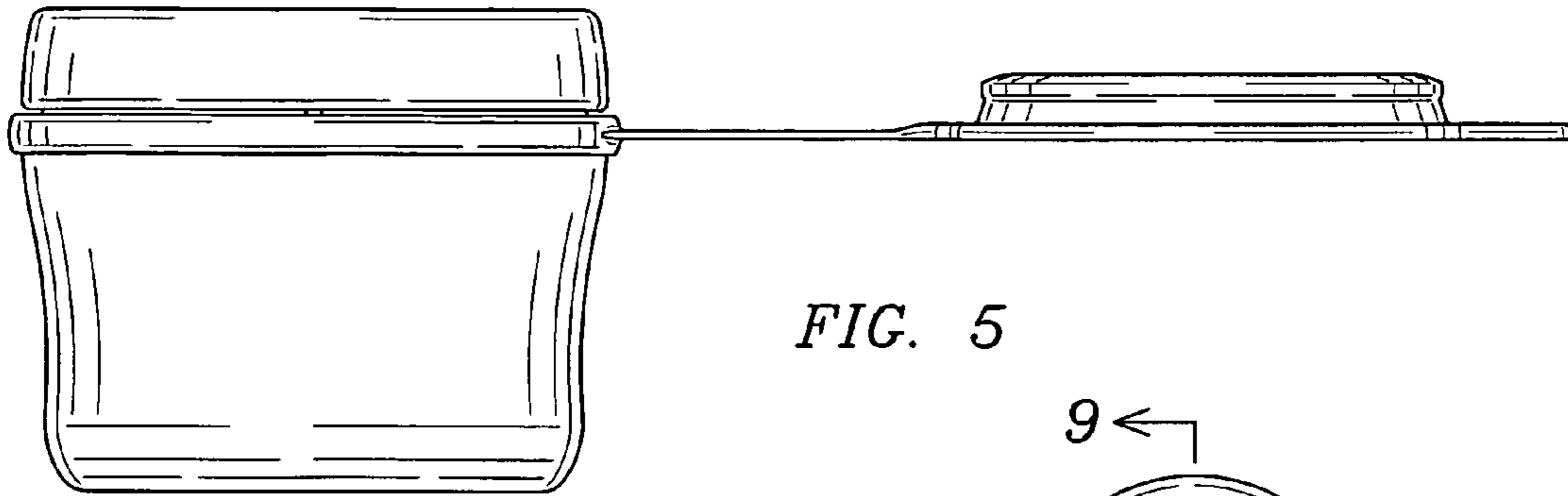


FIG. 5

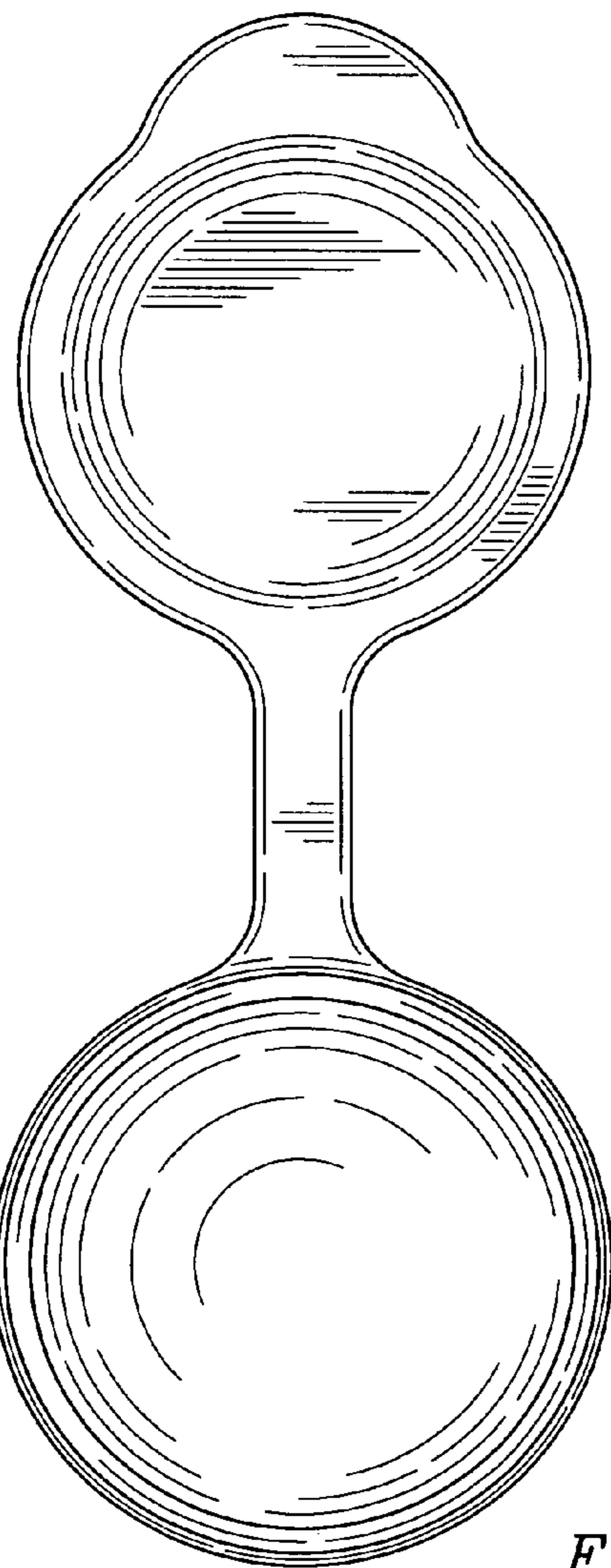


FIG. 7

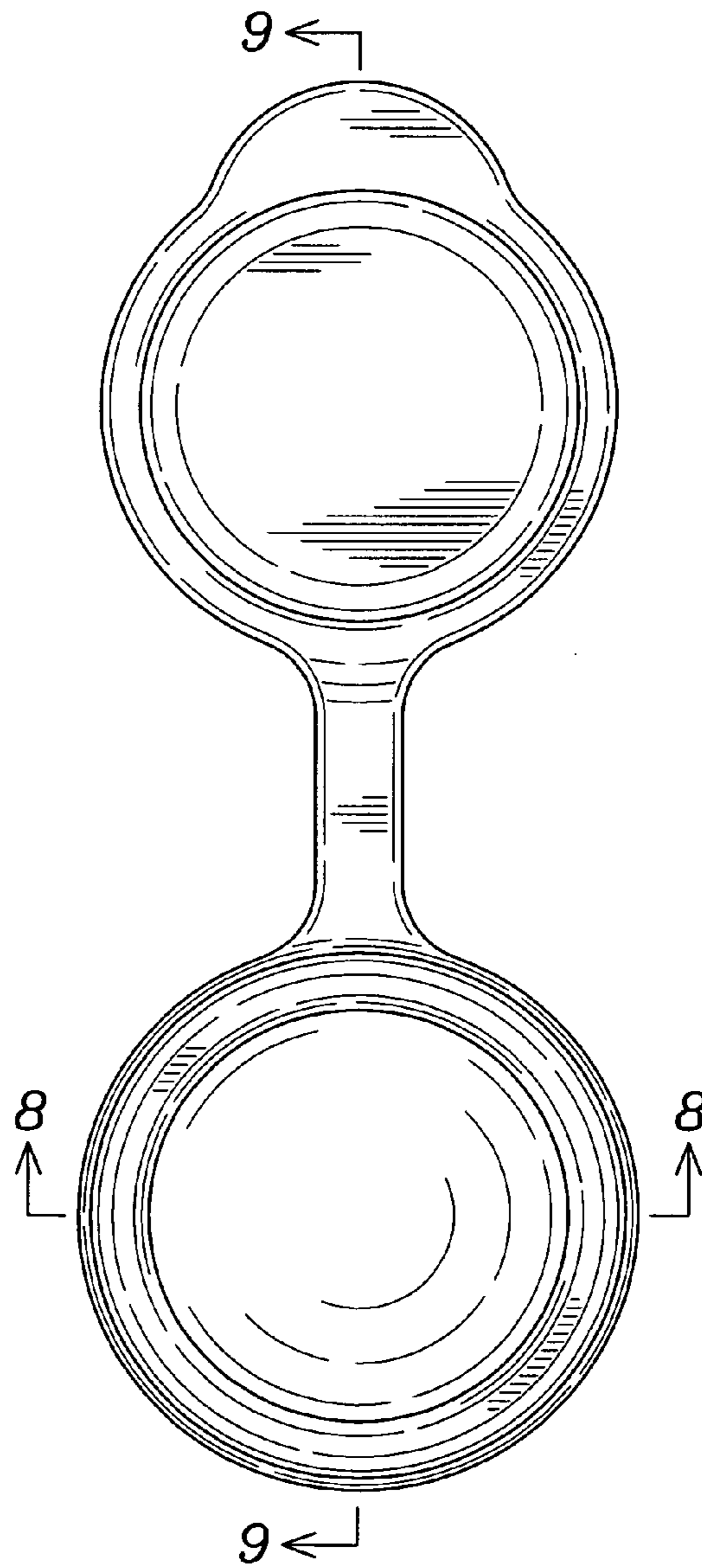


FIG. 6

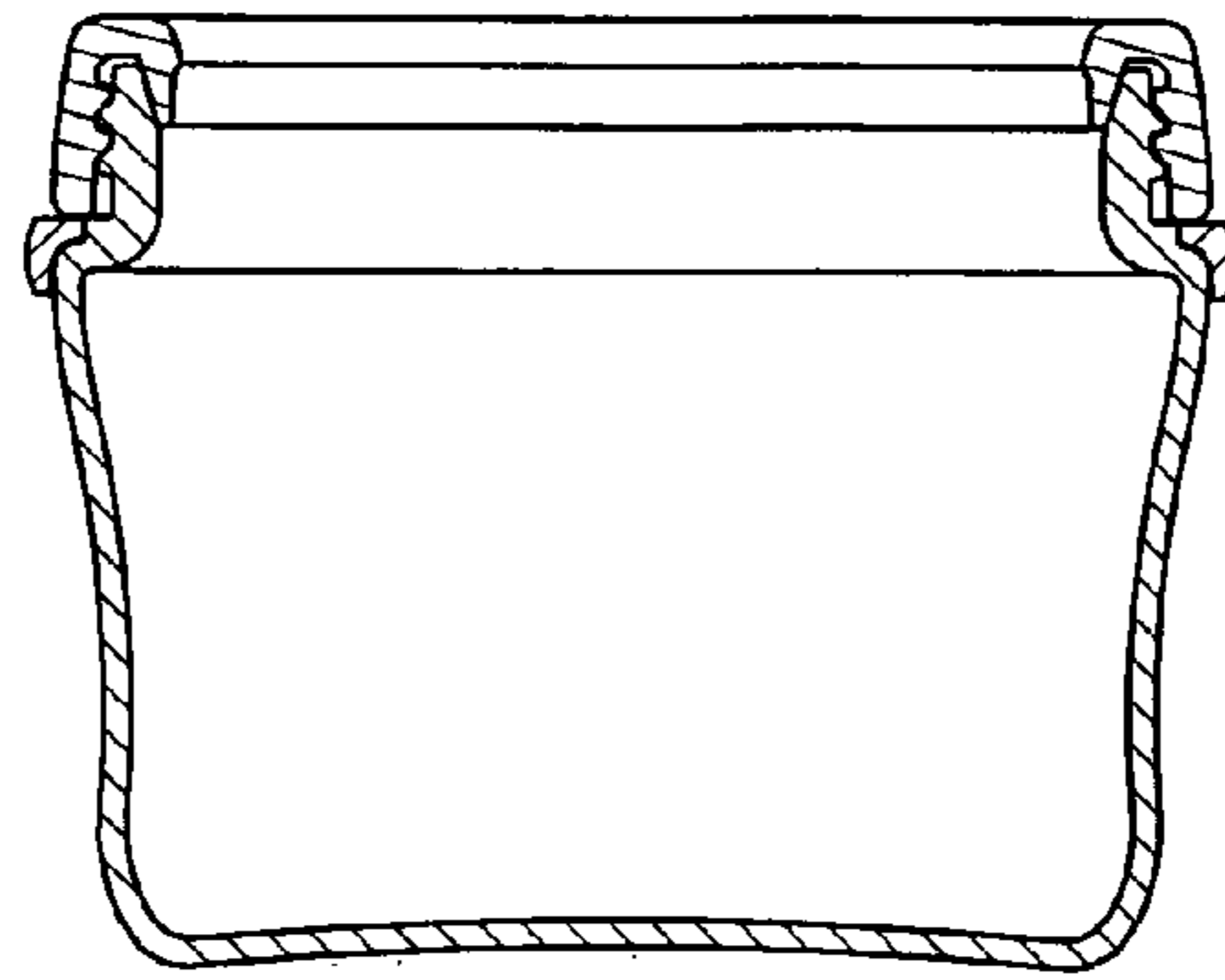


FIG. 8

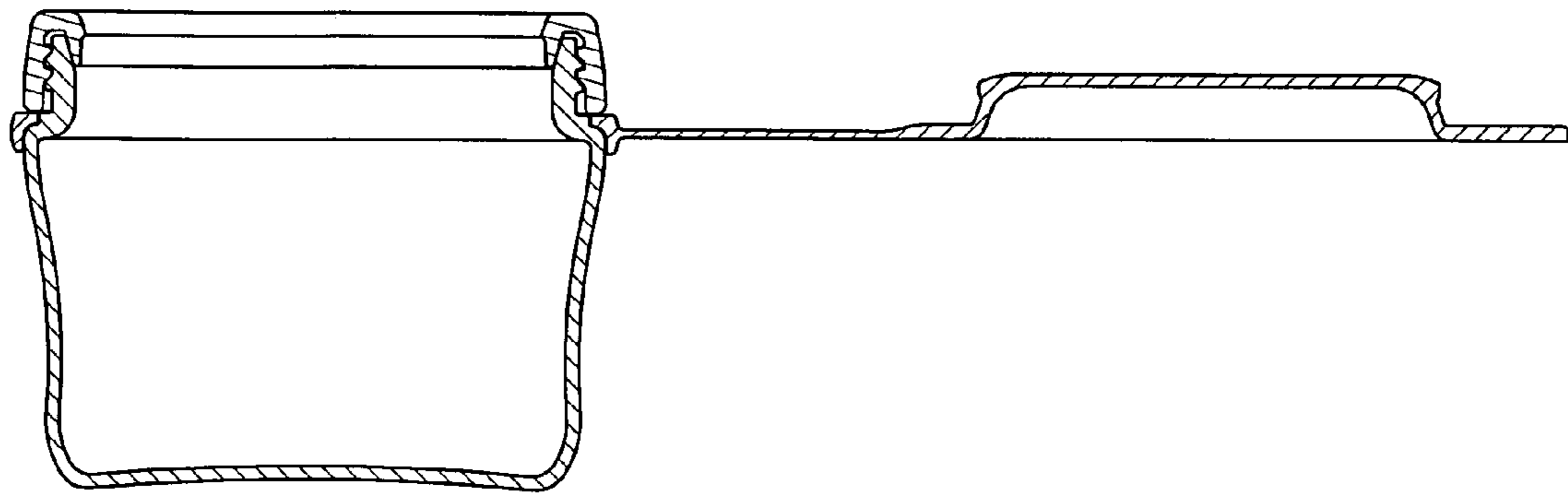


FIG. 9

