



US00D693649S

(12) **United States Design Patent**
Yeung

(10) **Patent No.:** **US D693,649 S**

(45) **Date of Patent:** **** Nov. 19, 2013**

(54) **HANDLE FOR A CUP**

(71) Applicant: **Sunny Yu Sun Yeung**, Scarborough
(CA)

(72) Inventor: **Sunny Yu Sun Yeung**, Scarborough
(CA)

(**) Term: **14 Years**

(21) Appl. No.: **29/439,023**

(22) Filed: **Dec. 5, 2012**

Related U.S. Application Data

(63) Continuation-in-part of application No. 12/877,028,
filed on Sep. 7, 2010, now abandoned.

(51) **LOC (9) Cl.** **07-02**

(52) **U.S. Cl.**
USPC **D7/622**

(58) **Field of Classification Search**
USPC D7/619.1-625, 708.1, 533-536;
220/737-741, 710.5; 294/33, 32, 27.1;
215/393-396; D9/434, 443; 248/311.2,
248/145.6
See application file for complete search history.

(56) **References Cited**

U.S. PATENT DOCUMENTS

2,122,628	A	*	7/1938	Tracy	220/740
3,592,501	A		7/1971	Stokes et al.		
D241,906	S	*	10/1976	Dart	D7/622
4,655,373	A		4/1987	Essen		
D333,072	S	*	2/1993	Hung	D7/622
D336,826	S	*	6/1993	Crook	D7/622
5,219,419	A		6/1993	Prothe		
5,454,470	A		10/1995	Bricker		
D370,384	S	*	6/1996	Shamis	D7/393
D395,205	S	*	6/1998	Inwood et al.	D7/622
5,816,631	A		10/1998	Kochan		
D437,187	S	*	2/2001	Cheng	D7/622
6,520,366	B1		2/2003	Bradley et al.		

D484,753	S	*	1/2004	Giampavolo	D7/620
D489,577	S	*	5/2004	Giampavolo	D7/620
D502,056	S		2/2005	Bakti		

OTHER PUBLICATIONS

PCT IB 2009054125, Sep. 2008, Cocci.

* cited by examiner

Primary Examiner — Terry Wallace

(74) *Attorney, Agent, or Firm* — Andrew W. Chu; Craft Chu
PLLC

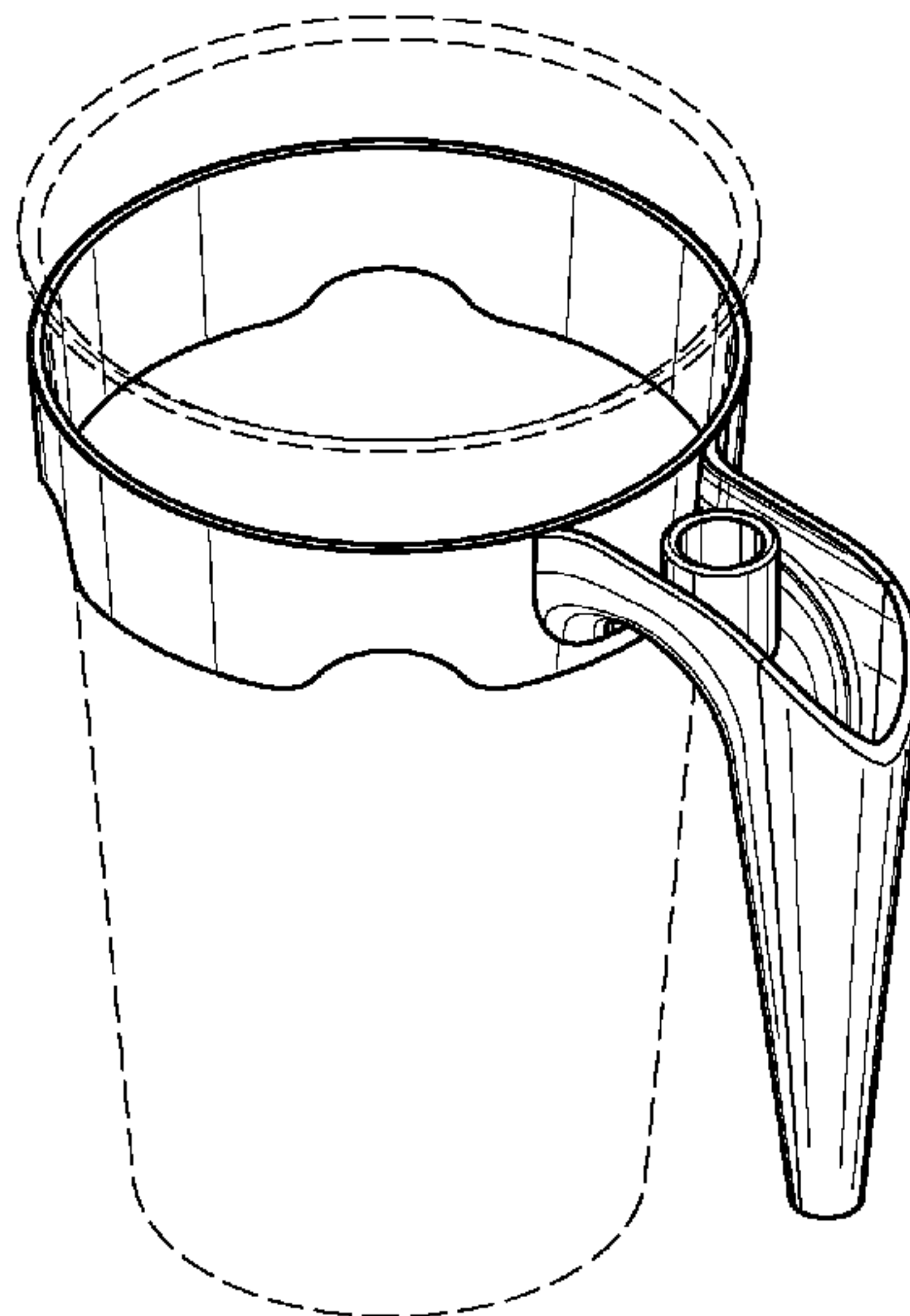
(57) **CLAIM**

The ornamental design for a handle for a cup, as shown and
described.

DESCRIPTION

FIG. 1 is an upper perspective view of the handle for a cup,
showing the cup in broken lines and showing my design.
FIG. 2 is a side elevation view thereof, showing the cup in
broken lines;
FIG. 3 is an opposite side view thereof, showing the cup in
broken lines;
FIG. 4 is a back elevation view thereof, showing the cup in
broken lines;
FIG. 5 is a front elevation view thereof, showing the cup in
broken lines;
FIG. 6 is a top plan view thereof, showing the cup in broken
lines;
FIG. 7 is a bottom view thereof, showing the cup in broken
lines;
FIG. 8 is a perspective view of the handle in a stacking
configuration, showing the stacked handles and respective
cups in broken lines; and,
FIG. 9 is another perspective view of the handle in another
stacking configuration, showing the stacked handles in broken
lines.
The broken line features are presented for illustrative pur-
poses and form no part of the claimed design.

1 Claim, 3 Drawing Sheets



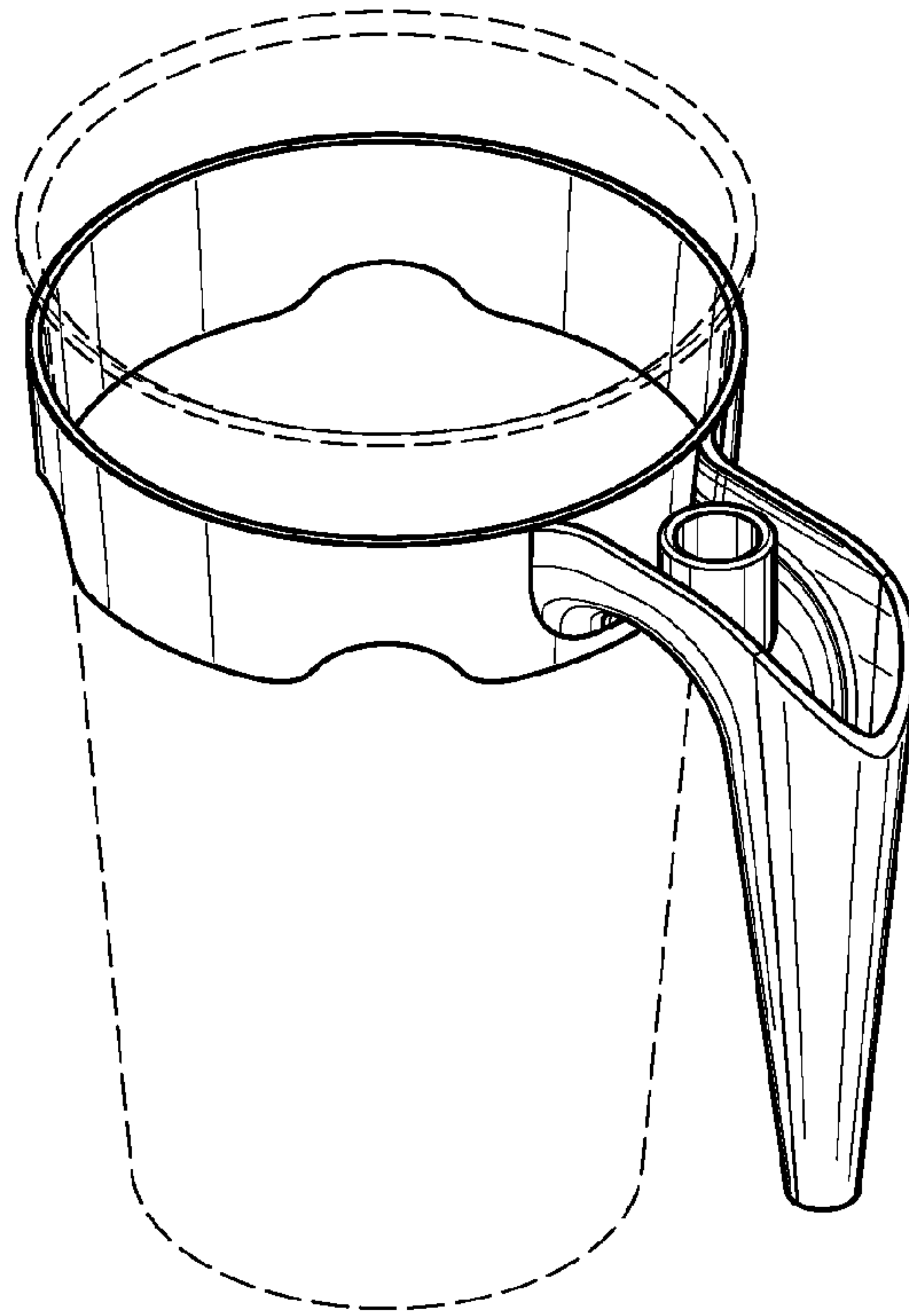


FIG. 1

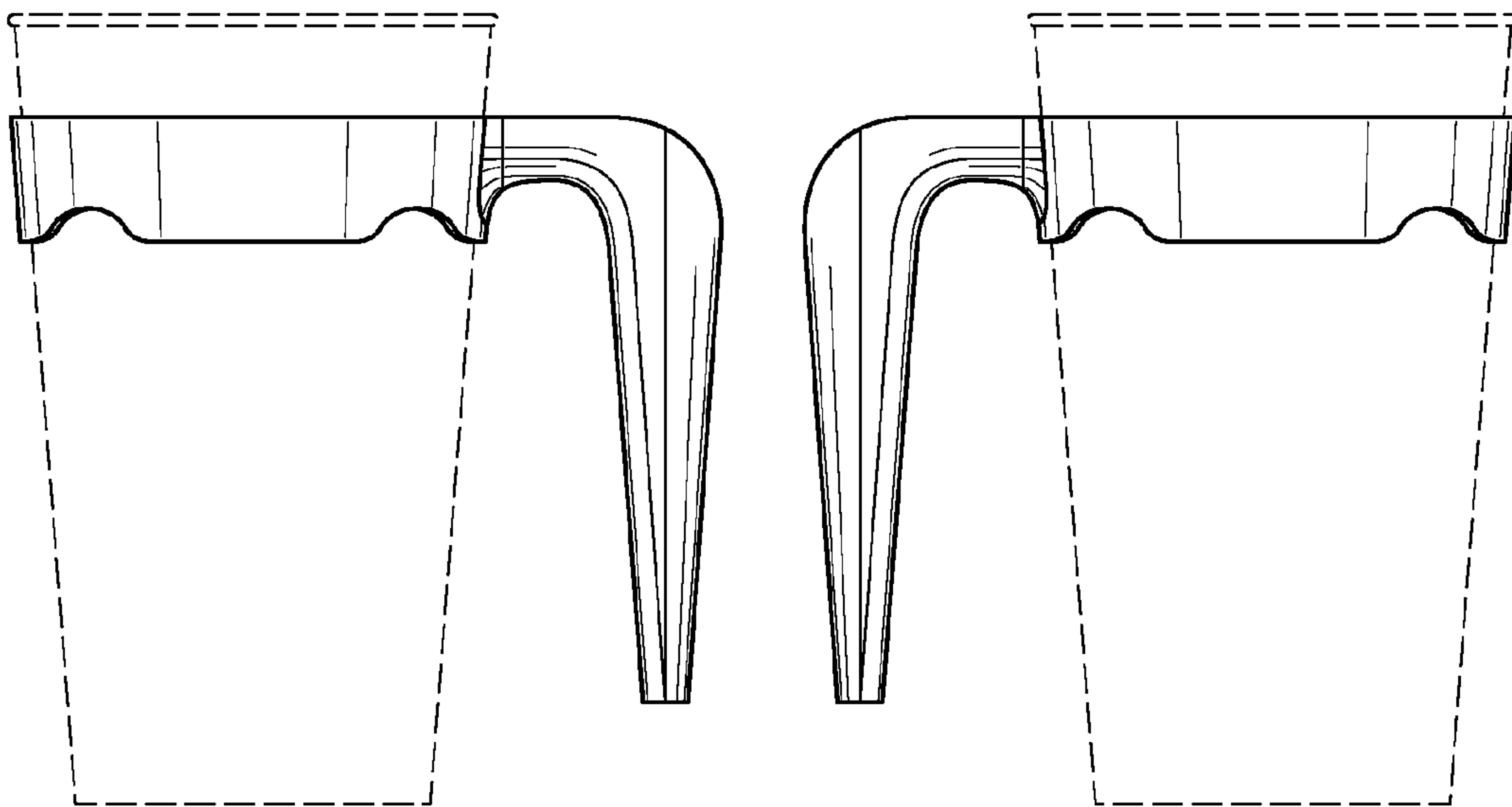


FIG. 2

FIG. 3

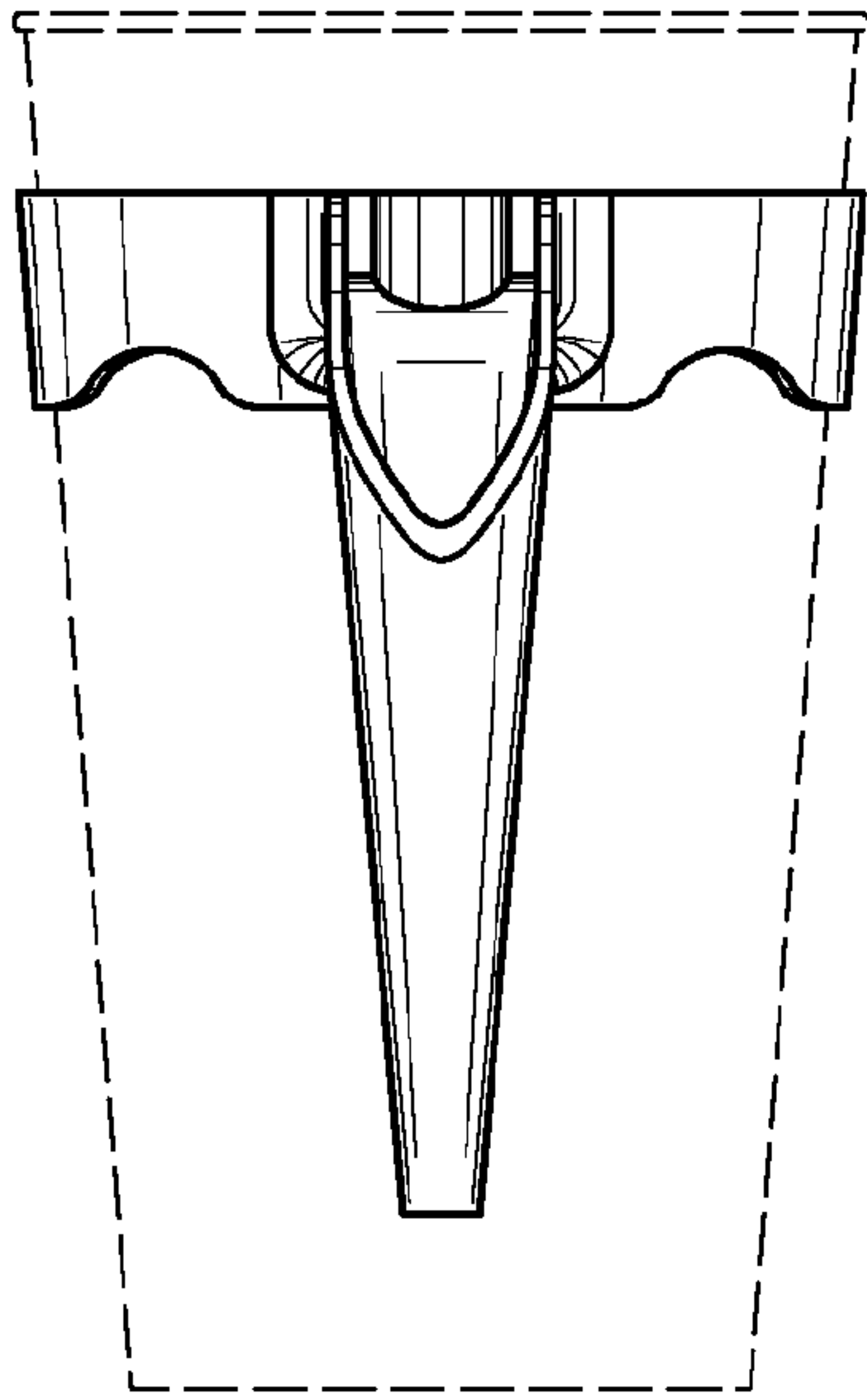


FIG. 4

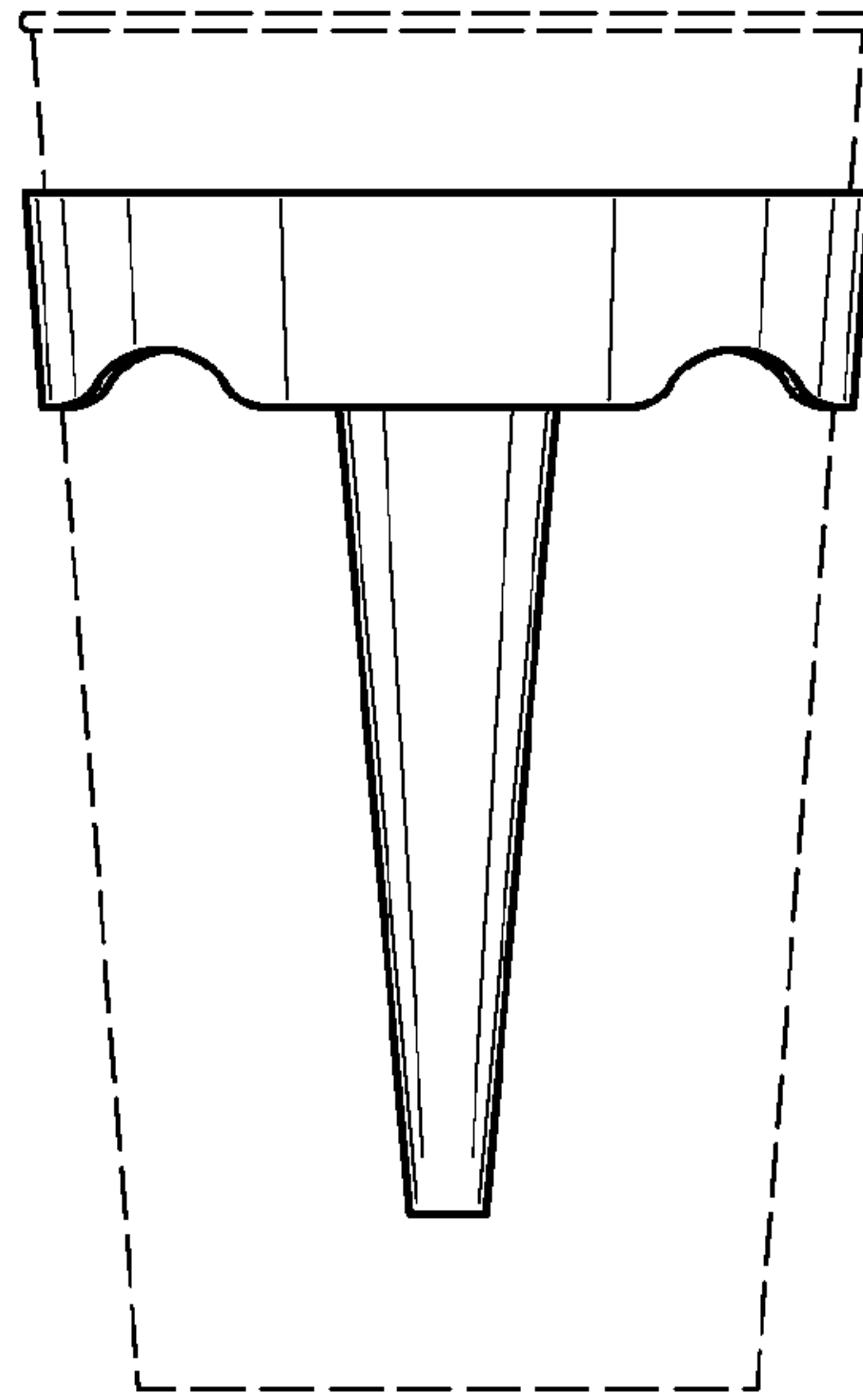


FIG. 5

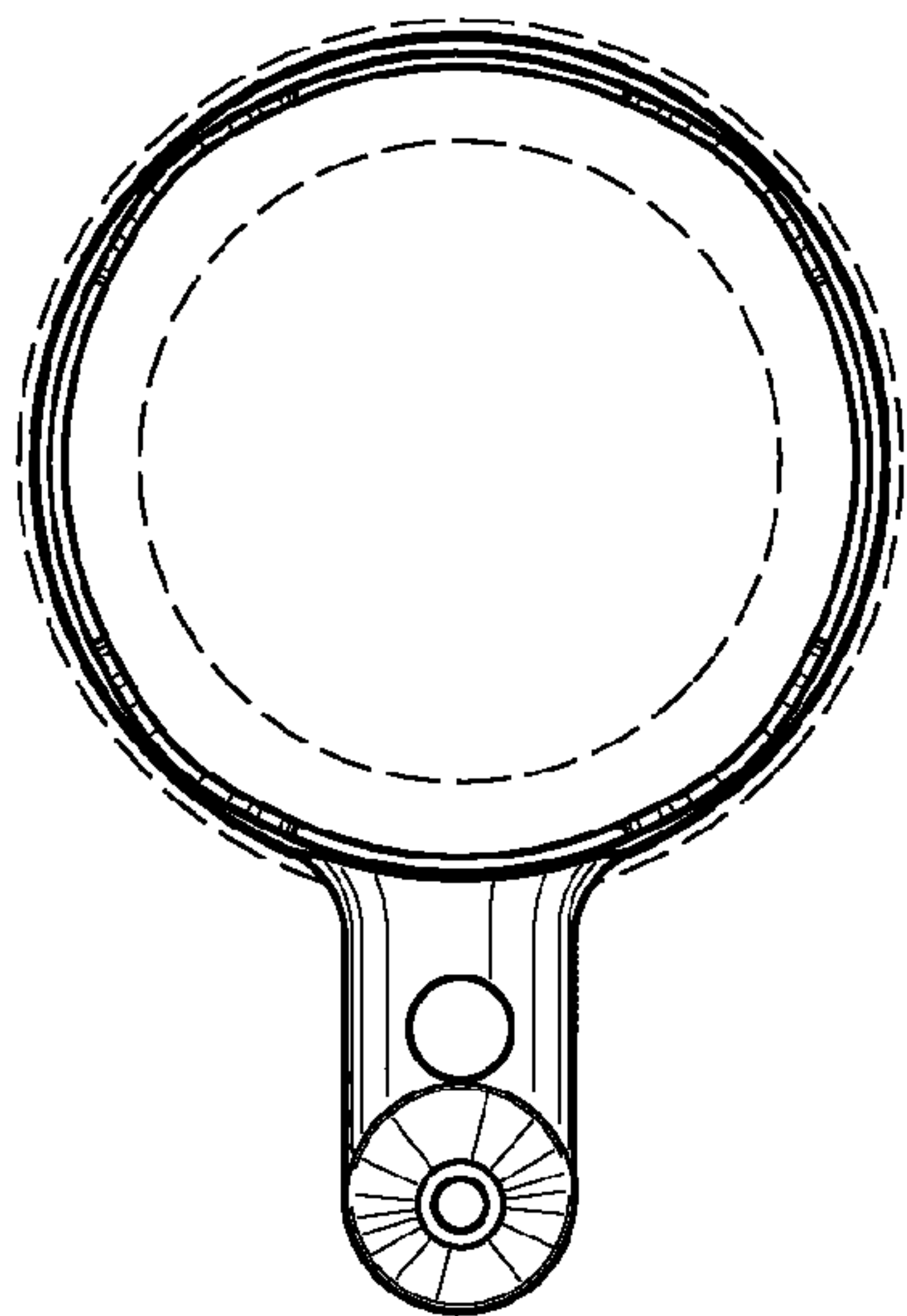


FIG. 6

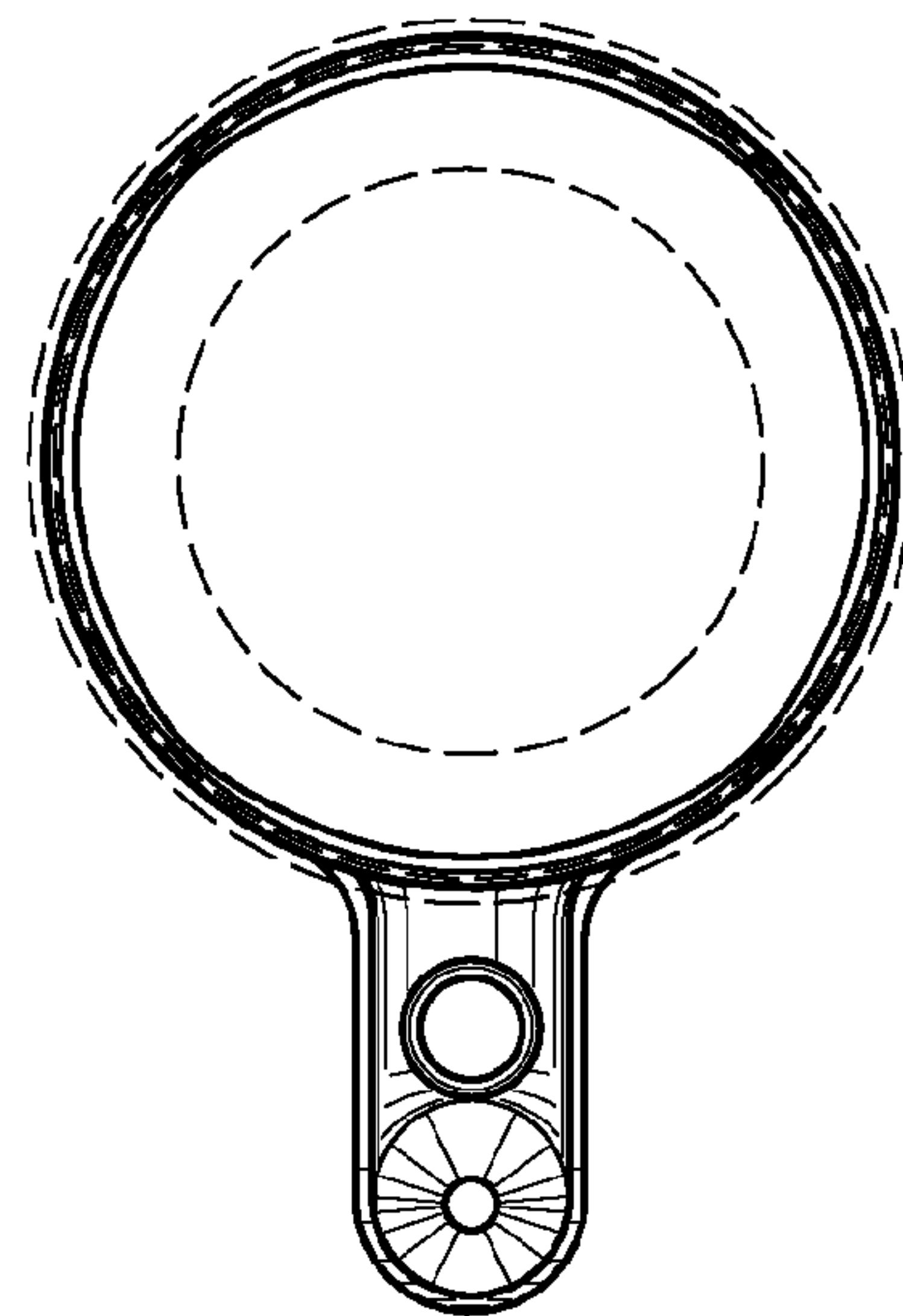


FIG. 7

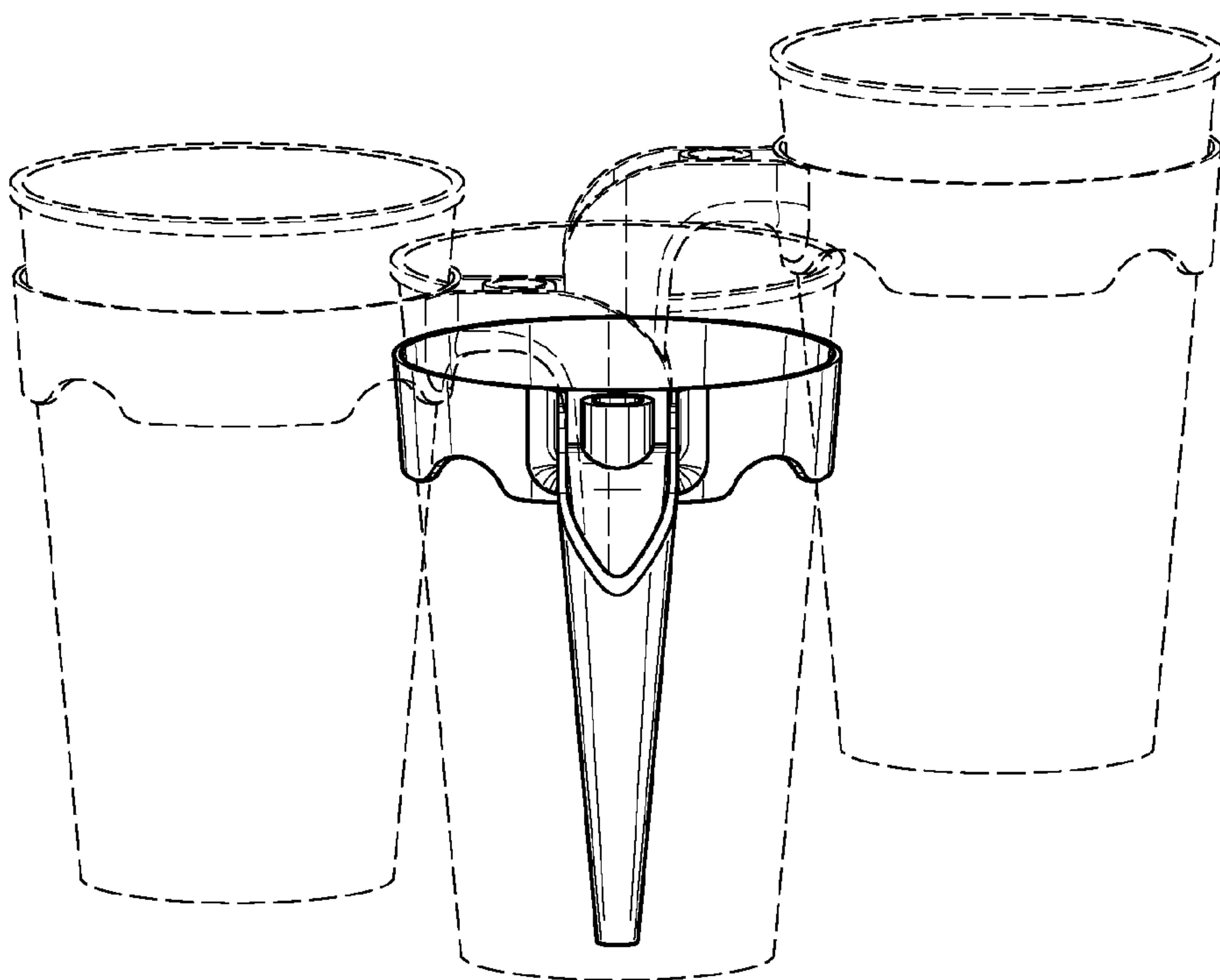


FIG. 8

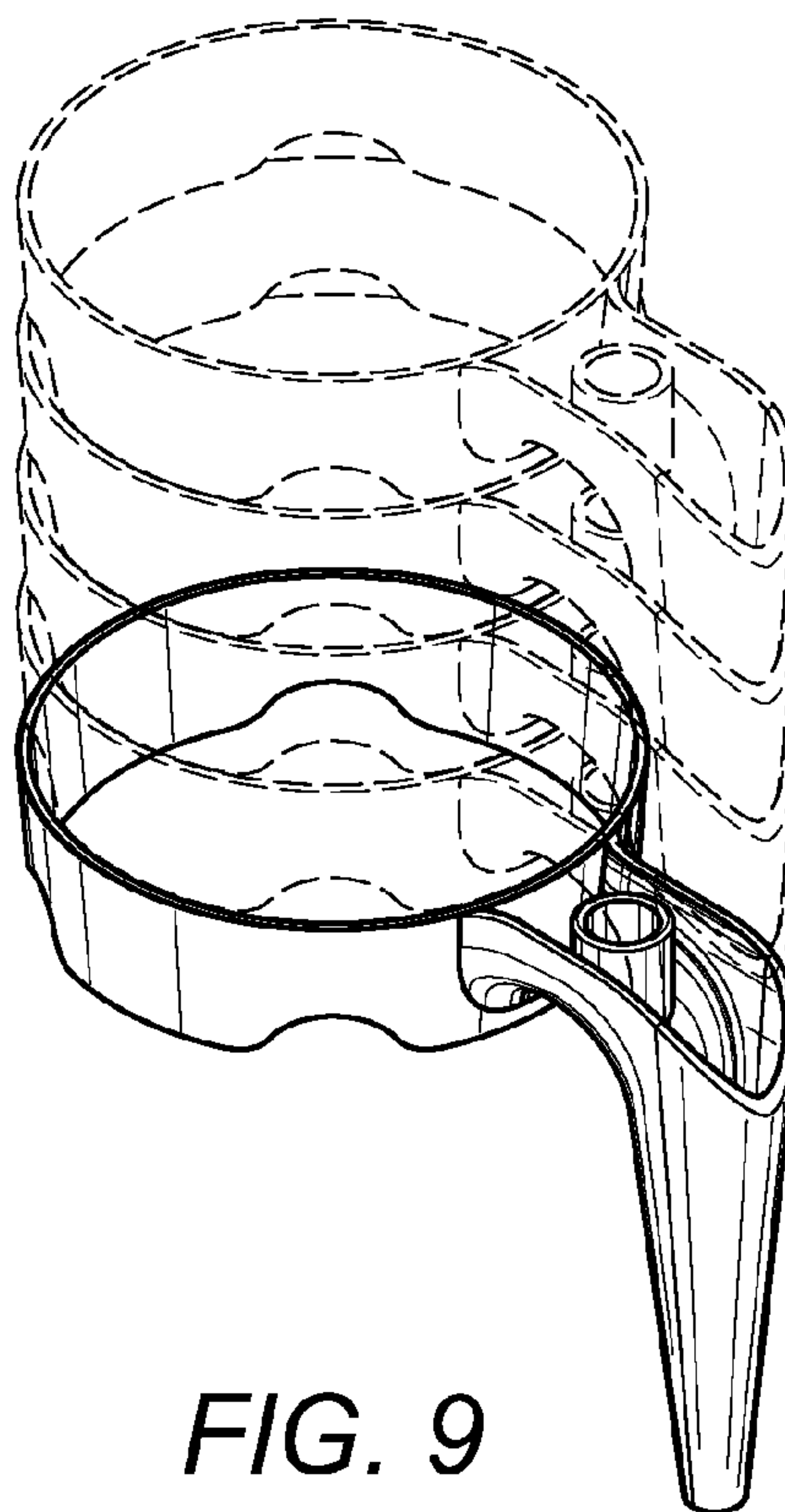


FIG. 9