



US00D693648S

(12) **United States Design Patent**  
**Chen**

(10) **Patent No.:** **US D693,648 S**

(45) **Date of Patent:** **\*\* \*Nov. 19, 2013**

(54) **STANDING FORM SUPPORTING FRAME  
FOR SUPPORTING CUP-LIKE OBJECTS**

(76) Inventor: **Fang-Yin Chen**, Taichung Hsien (TW)

(\*) Notice: This patent is subject to a terminal disclaimer.

(\*\*) Term: **14 Years**

(21) Appl. No.: **29/393,347**

(22) Filed: **Jun. 2, 2011**

(51) **LOC (9) Cl.** ..... **07-06**

(52) **U.S. Cl.**  
USPC ..... **D7/600.1**

(58) **Field of Classification Search**  
USPC ..... D7/600.1-600.4, 590, 619.1-625, 704;  
47/39, 47, 41.14; D6/408, 463, 515,  
D6/462, 417, 535, 552, 556, 566, 567, 517,  
D6/553; 211/59.2, 181.1, 74, 71.01, 14,  
211/13.1, 49.1, 59.1, 85.11, 106; 206/499

See application file for complete search history.

(56) **References Cited**

U.S. PATENT DOCUMENTS

D250,776 S *	1/1979	Hard	.....	D6/566
D361,449 S *	8/1995	Rittenberg	.....	D6/462
D461,987 S *	8/2002	Smith	.....	D6/566
6,457,691 B1 *	10/2002	Kao	.....	248/311.2
D538,608 S *	3/2007	Goodman et al.	.....	D7/704
2004/0216372 A1 *	11/2004	Voogt	.....	47/47

\* cited by examiner

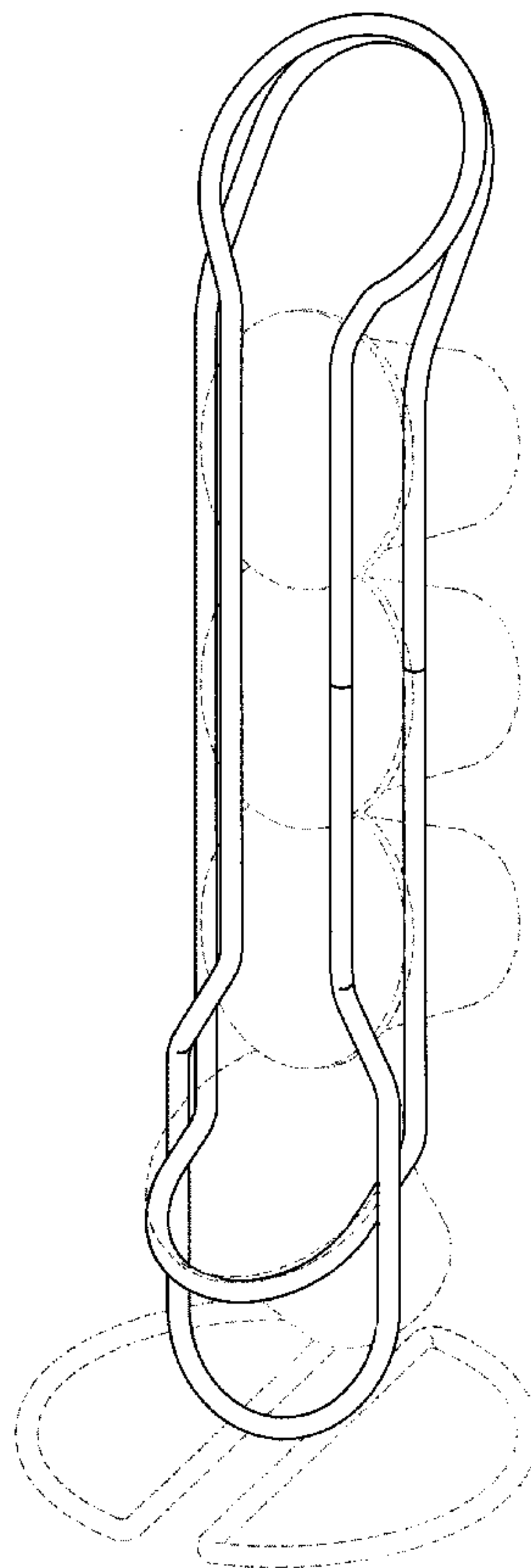
*Primary Examiner* — Terry Wallace

(57) **CLAIM**  
The ornamental design for a standing form supporting frame for supporting cup-like objects, as shown and described.

**DESCRIPTION**

FIG. 1 is a perspective view of a standing form supporting frame for supporting cup-like objects showing my new design  
FIG. 2 is a front elevational view thereof  
FIG. 3 is a rear elevational view thereof.  
FIG. 4 is a left side view thereof  
FIG. 5 is a right side view thereof  
FIG. 6 is a top plan view thereof  
FIG. 7 is a bottom plan view thereof; and,  
FIG. 8 is a perspective view showing the application of the present invention, where those indicated by dashed lines are not claimed.

**1 Claim, 5 Drawing Sheets**



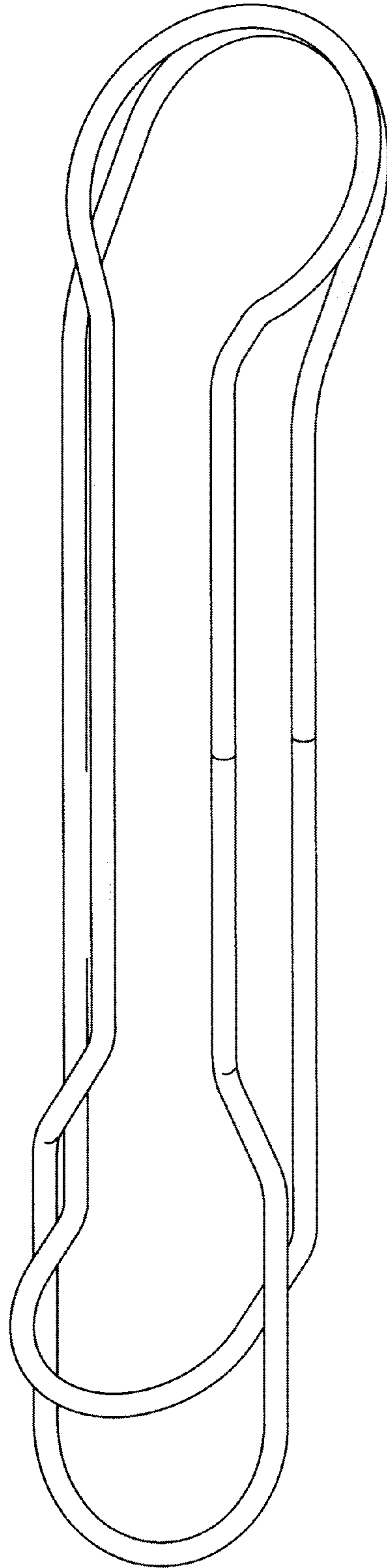


FIG. 1

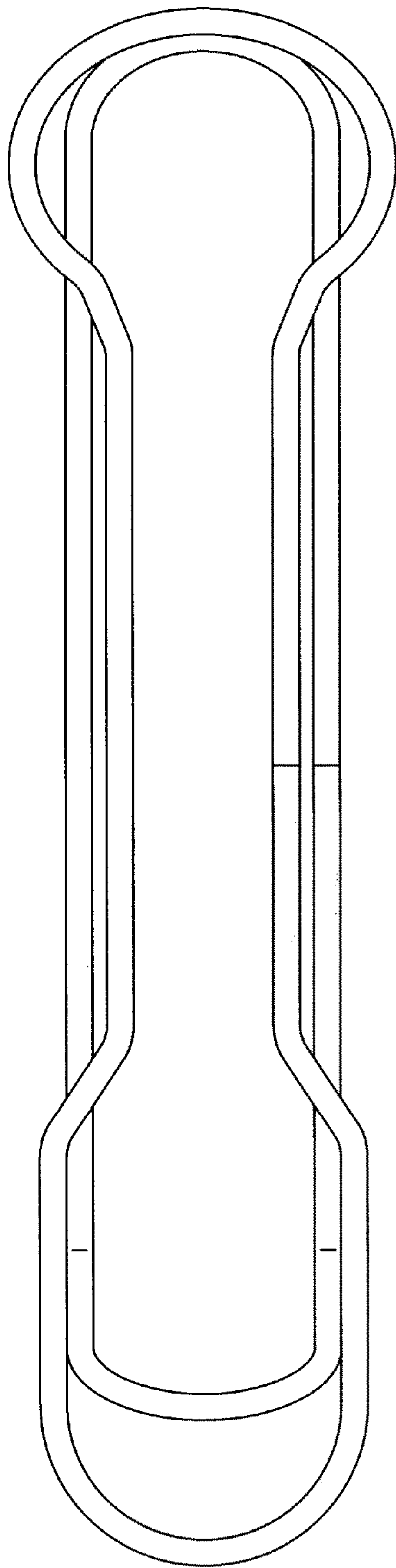


FIG. 2

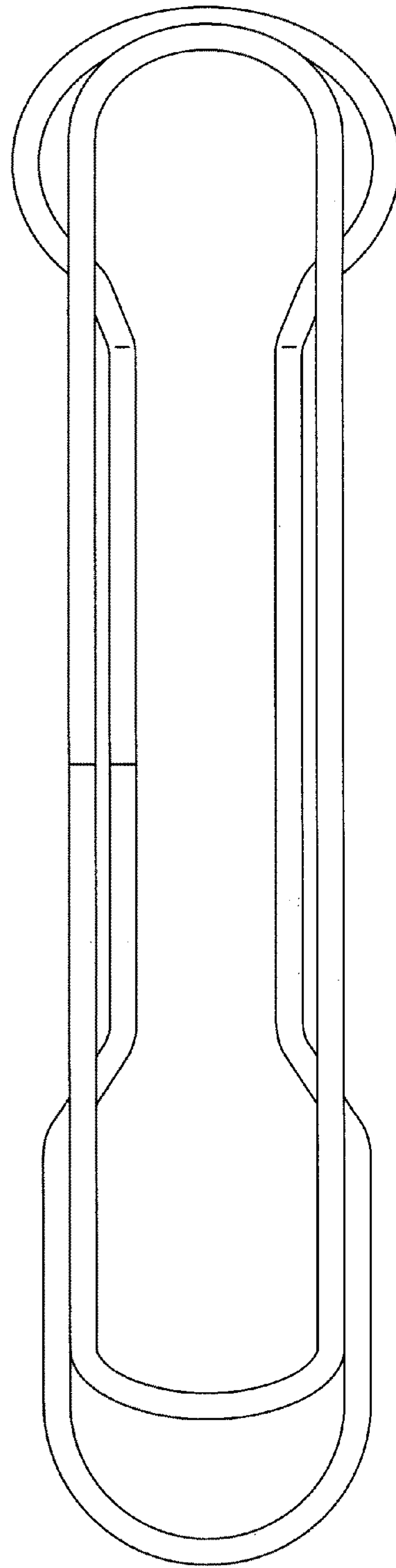


FIG. 3

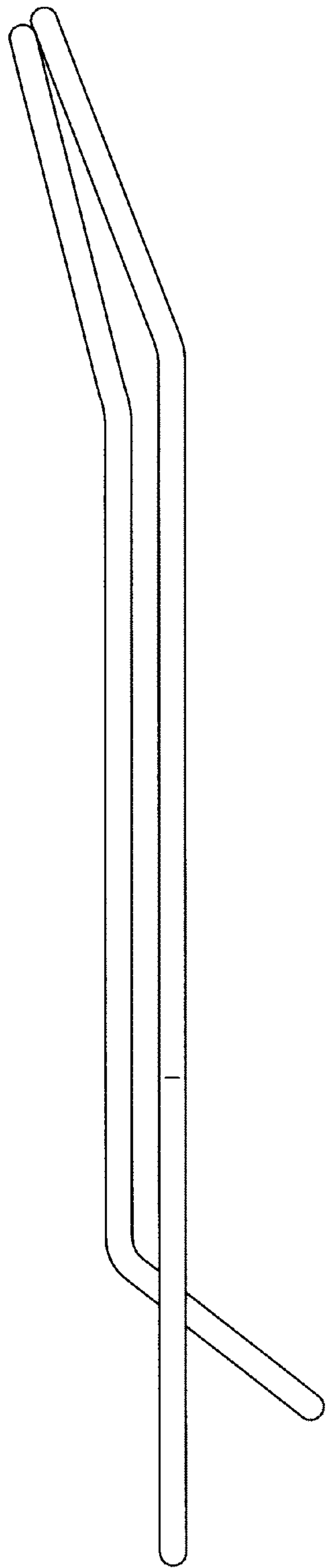


FIG. 4

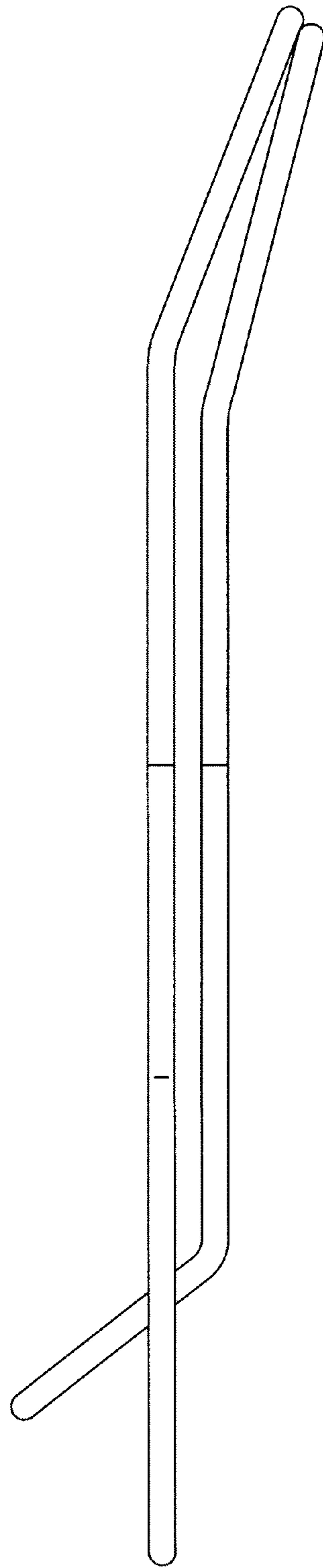


FIG. 5

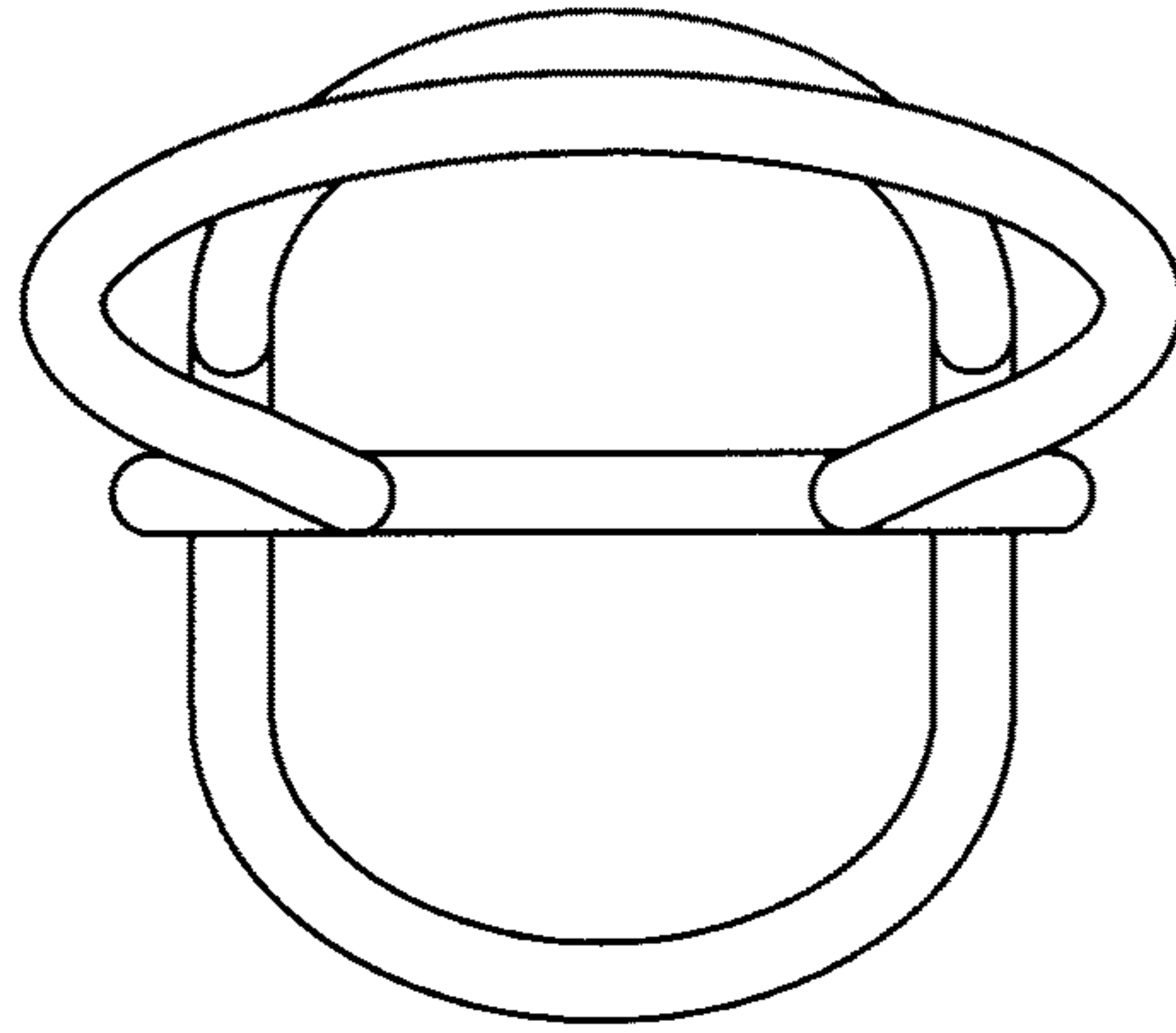


FIG. 6

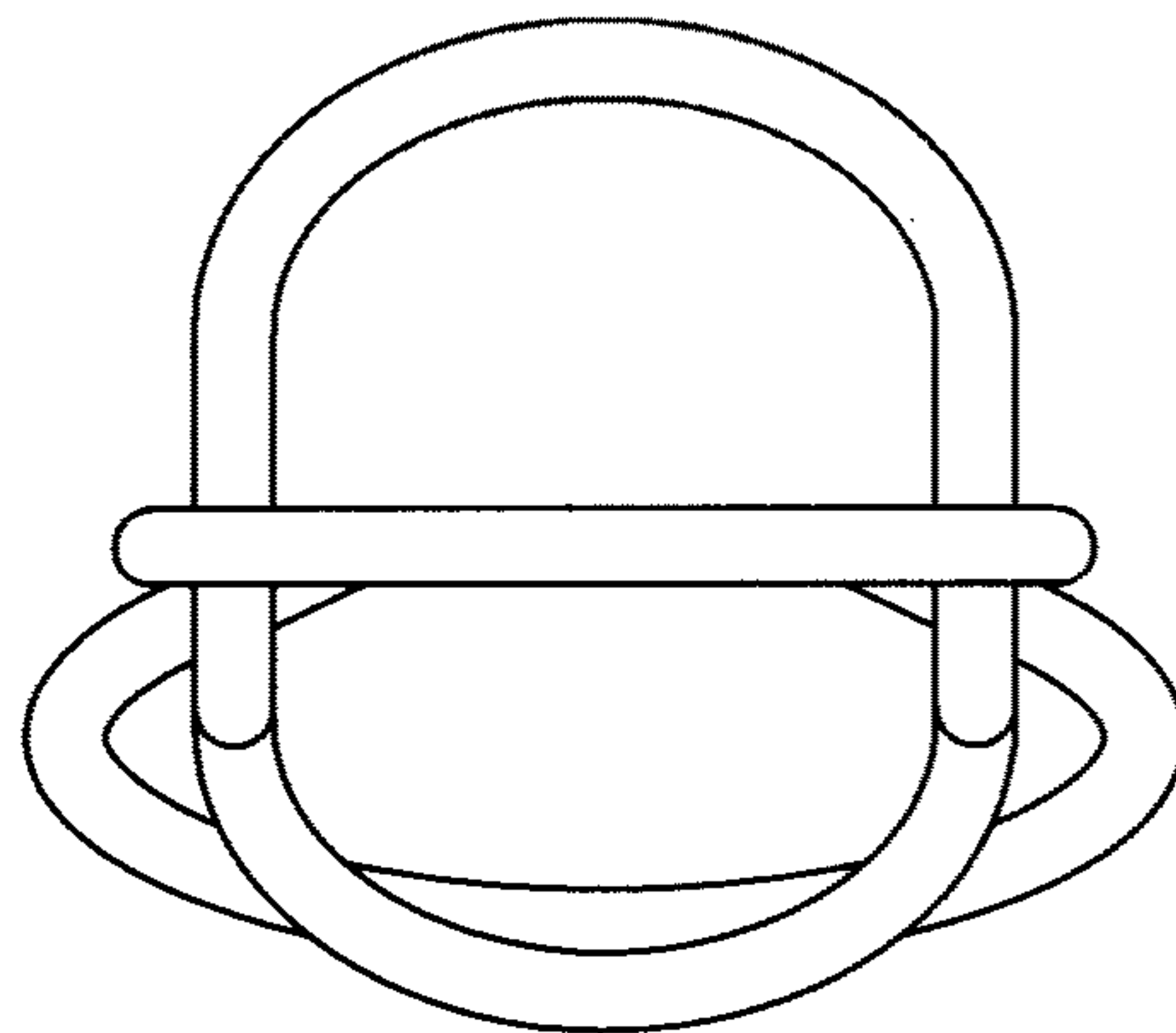


FIG. 7

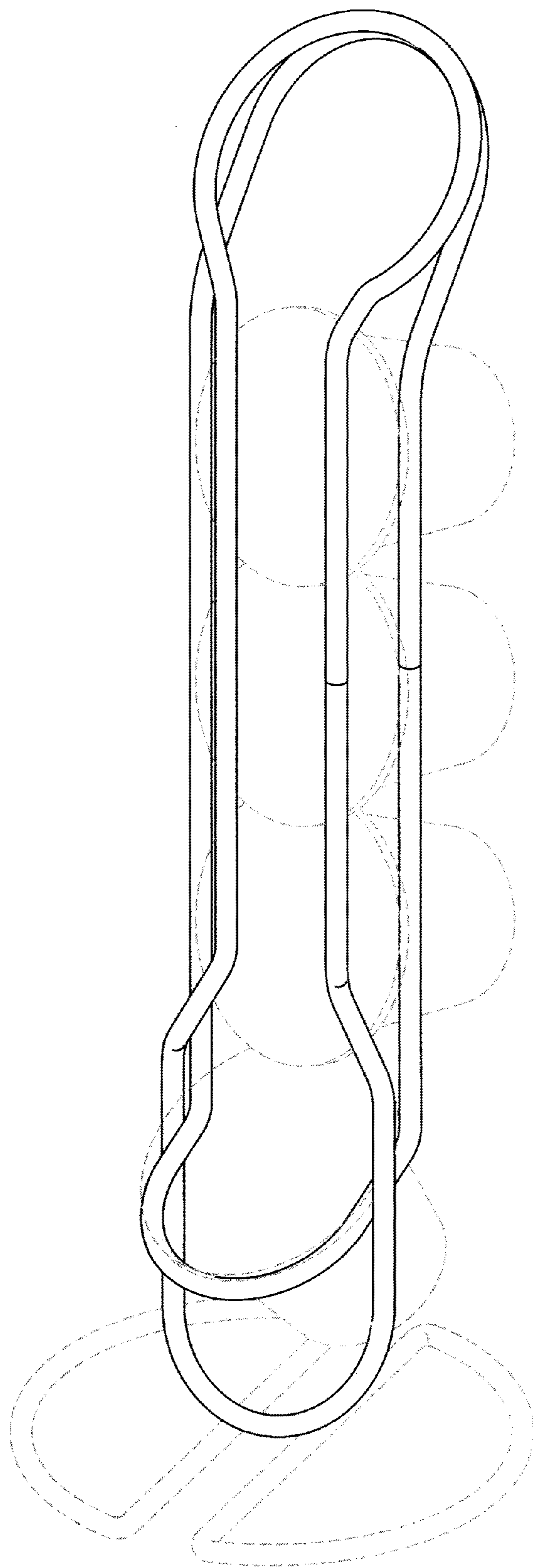


FIG. 8