



US00D693647S

(12) **United States Design Patent**  
**Seyers et al.**

(10) **Patent No.:** **US D693,647 S**  
(45) **Date of Patent:** **\*\* Nov. 19, 2013**

(54) **BOWL**  
(71) Applicant: **Dart Industries Inc.**, Orlando, FL (US)  
(72) Inventors: **Lucille P. Seyers**, Ghent (BE);  
**Alexander Muspratt-Williams**, London (GB)  
(73) Assignee: **Dart Industries Inc.**, Orlando, FL (US)  
(\*\*) Term: **14 Years**

(21) Appl. No.: **29/447,609**  
(22) Filed: **Mar. 5, 2013**  
(51) **LOC (9) Cl.** ..... **07-01**  
(52) **U.S. Cl.**  
USPC ..... **D7/587**  
(58) **Field of Classification Search**  
USPC ..... D7/562, 586, 545, 561, 560, 500, 543,  
D7/360, 361, 552.1, 354, 555, 566, 504,  
D7/587, 565, 601, 602, 558; D1/122;  
D30/130; 220/751, 23.4, 574; D9/643,  
D9/424, 759, 432; 215/382, 400  
See application file for complete search history.

(56) **References Cited**  
U.S. PATENT DOCUMENTS  
D184,651 S \* 3/1959 Woofter ..... D7/545  
D383,646 S \* 9/1997 Jeppesen et al. .... D7/584

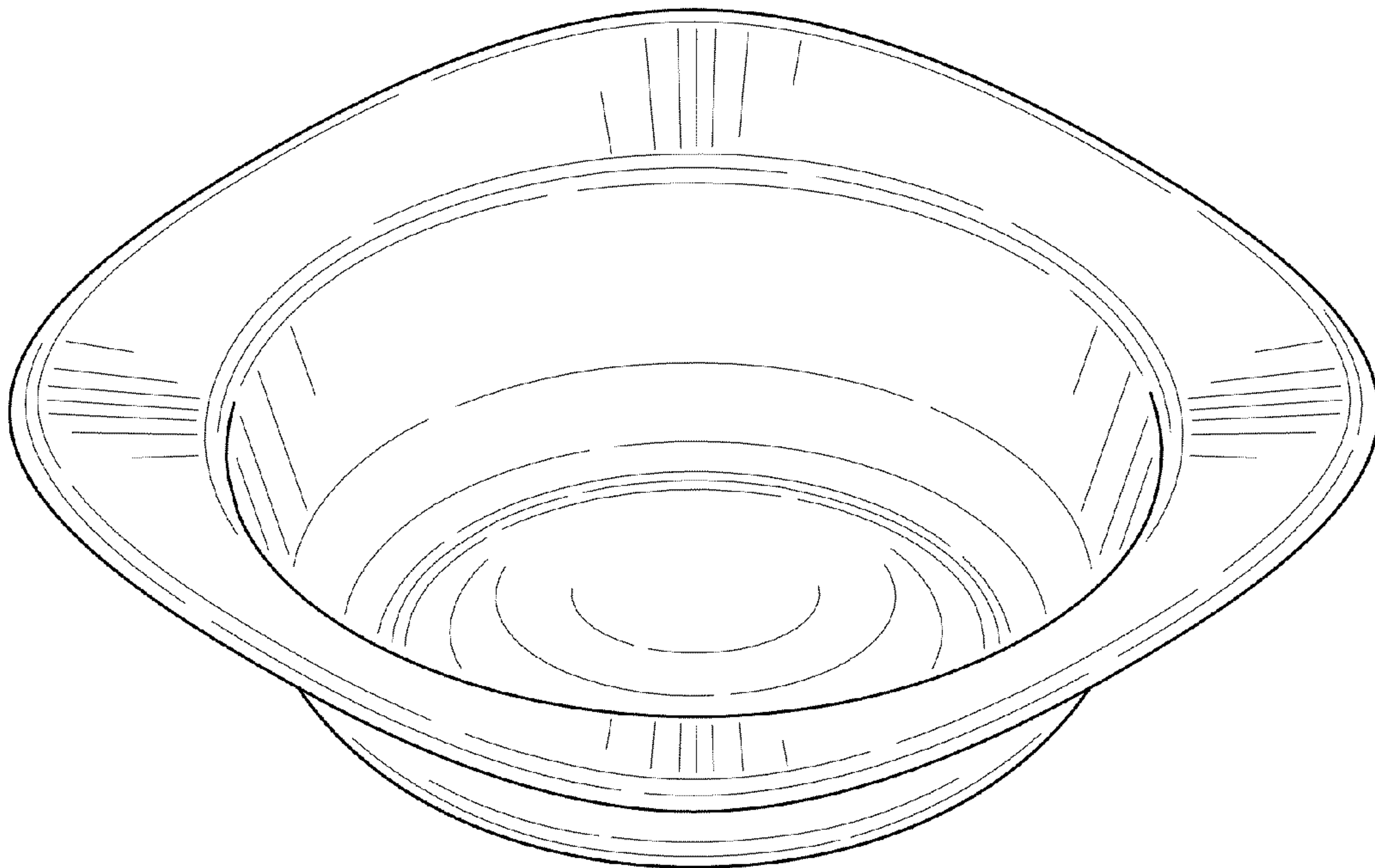
D390,752 S \* 2/1998 DeCoster ..... D7/505  
D402,852 S \* 12/1998 Benson ..... D7/545  
D402,856 S \* 12/1998 Cohen et al. .... D7/649  
D447,007 S \* 8/2001 Schultz ..... D7/545  
D461,686 S 8/2002 Ping Liu  
D499,305 S 12/2004 Laib  
D534,039 S 12/2006 Laib et al.  
D567,029 S \* 4/2008 Valderrama et al. .... D7/545  
D609,532 S \* 2/2010 Koennecke ..... D7/584  
D686,512 S \* 7/2013 Hamilton ..... D9/732

\* cited by examiner  
*Primary Examiner* — Cynthia Underwood  
(74) *Attorney, Agent, or Firm* — Taylor J. Ross

(57) **CLAIM**  
The ornamental design for a bowl, as shown and described.

**DESCRIPTION**  
FIG. 1 is a top, front perspective view showing our new design;  
FIG. 2 is a top plan view thereof;  
FIG. 3 is a bottom plan view thereof;  
FIG. 4 is a front elevation view, the rear elevation being identical thereto;  
FIG. 5 is a right side elevation view, the left side being identical thereto; and,  
FIG. 6 is a cross-sectional view taken along line 6-6 of FIG. 3.

**1 Claim, 3 Drawing Sheets**



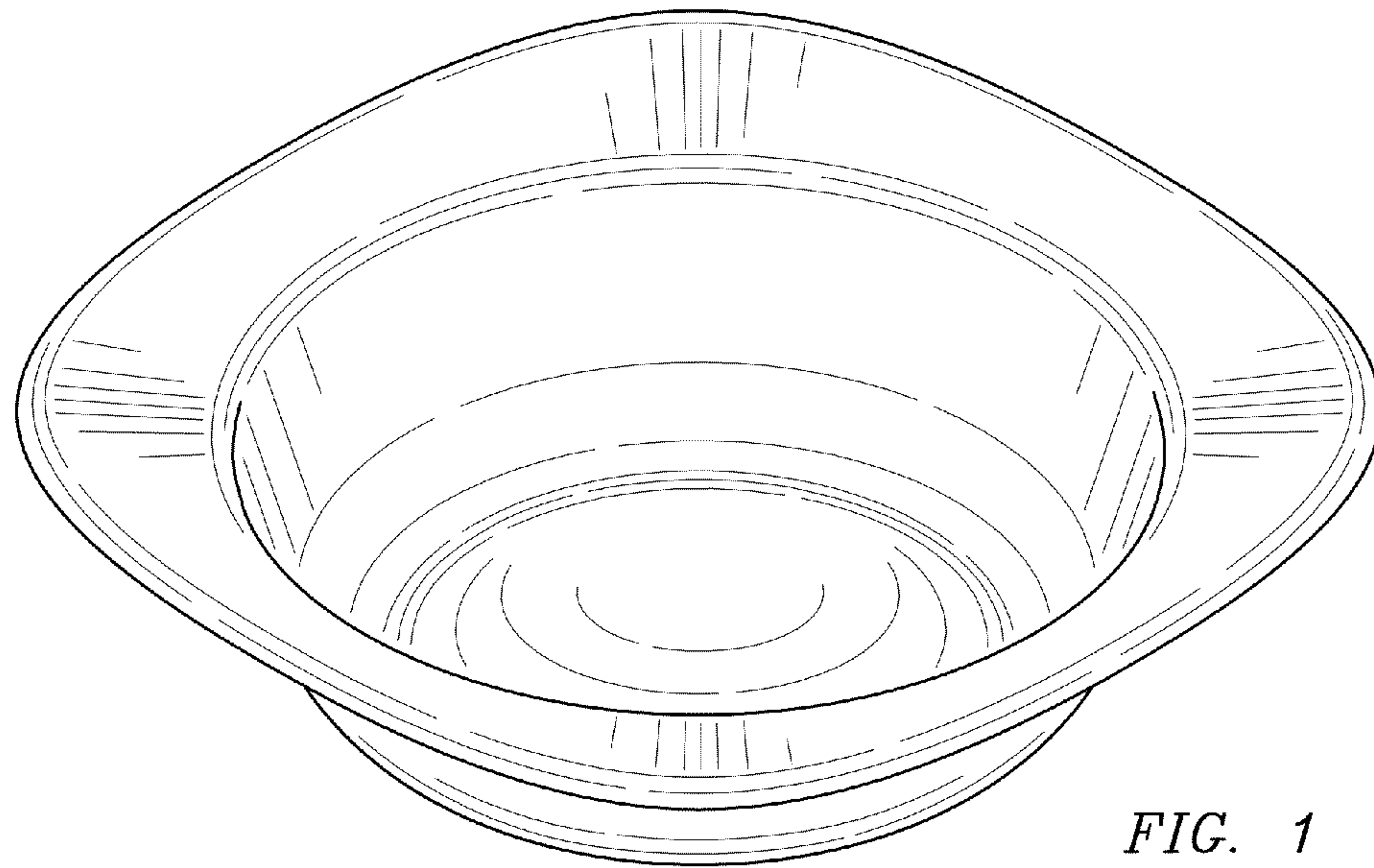


FIG. 1

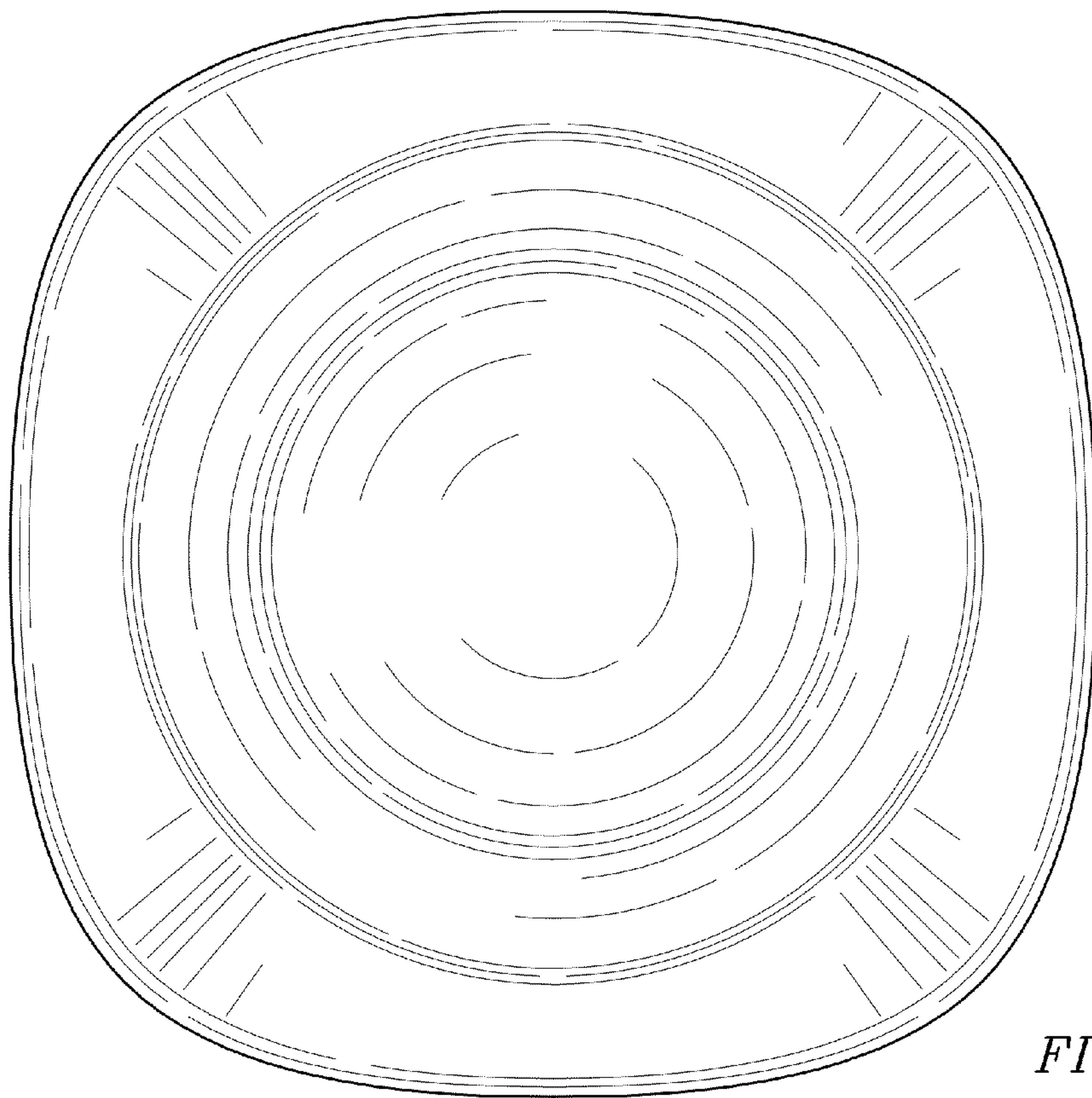
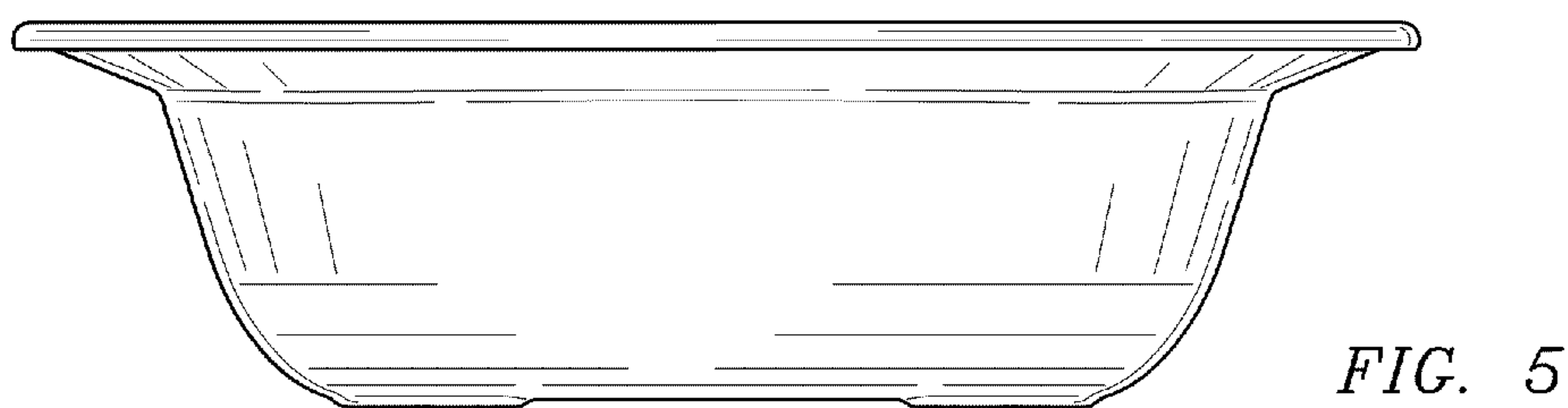
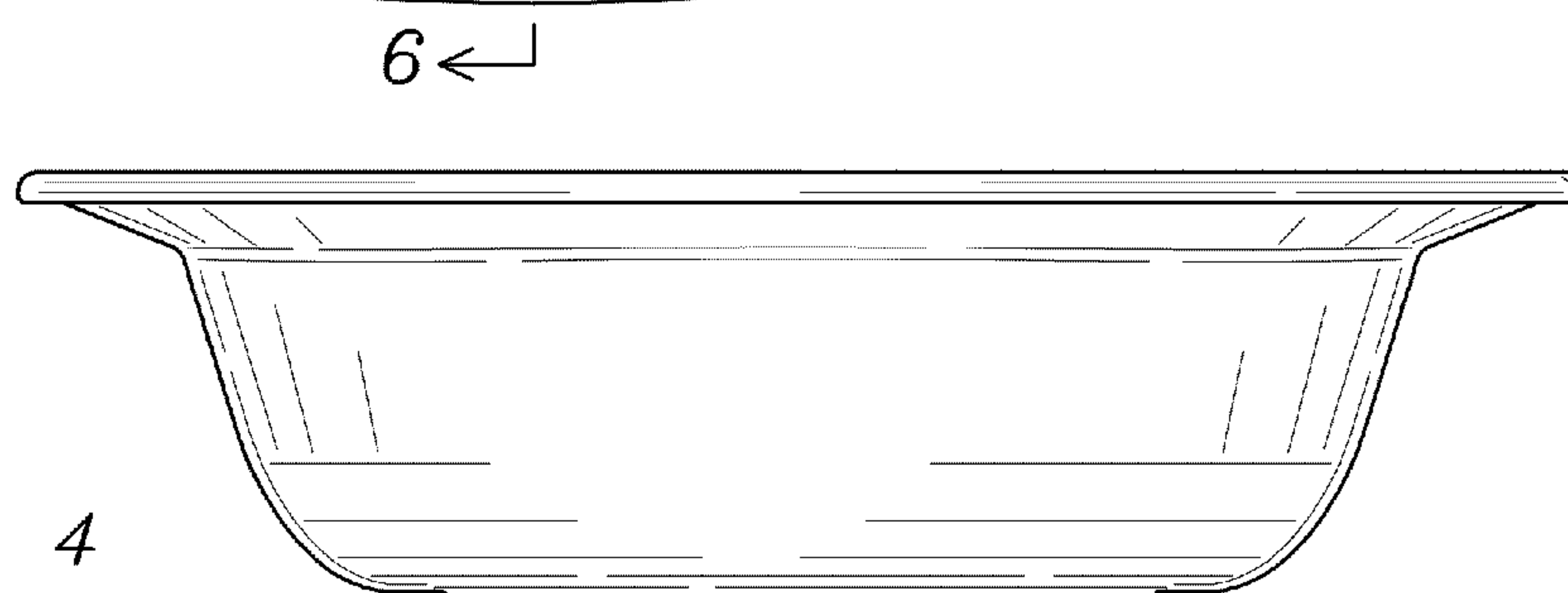
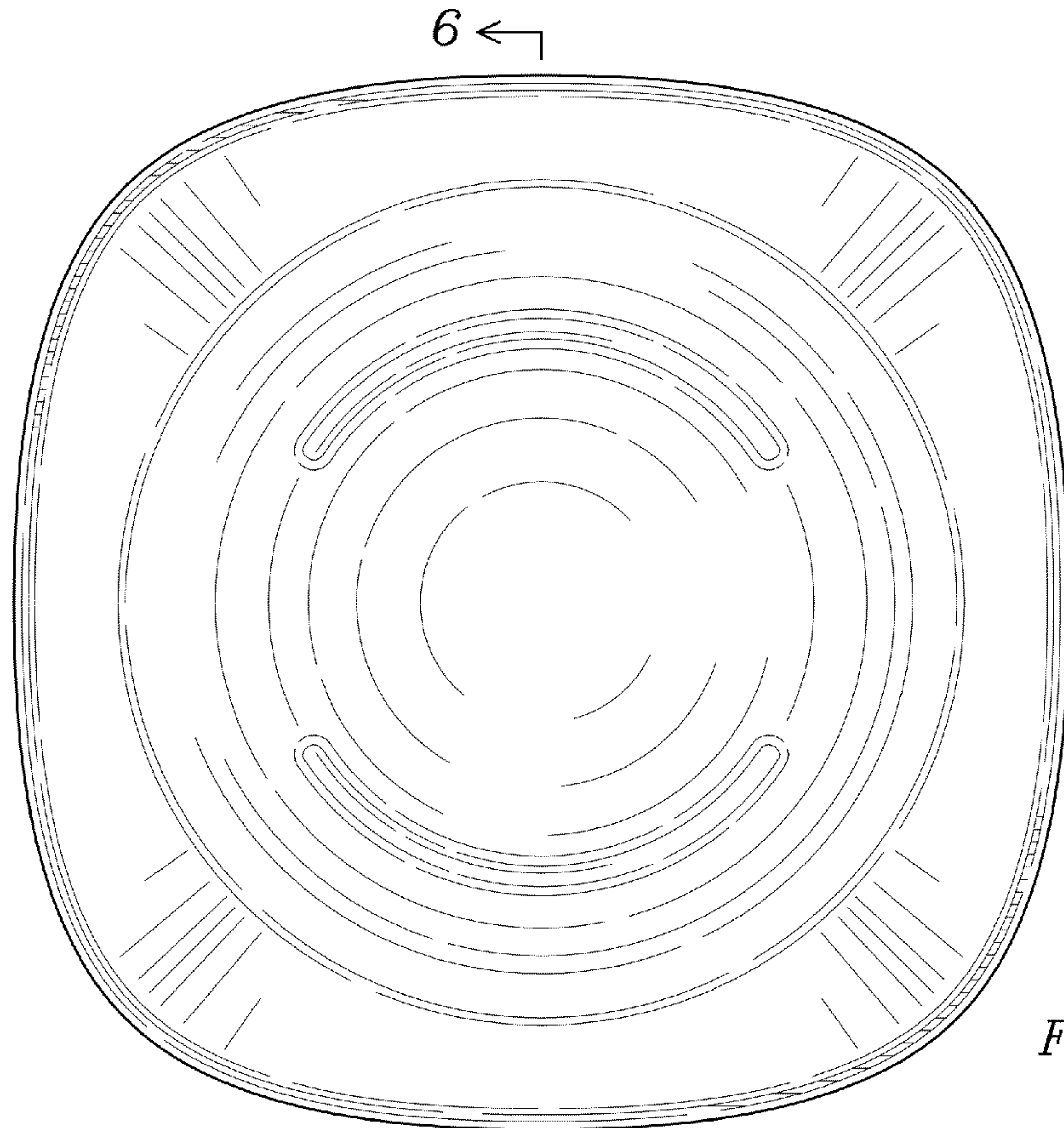
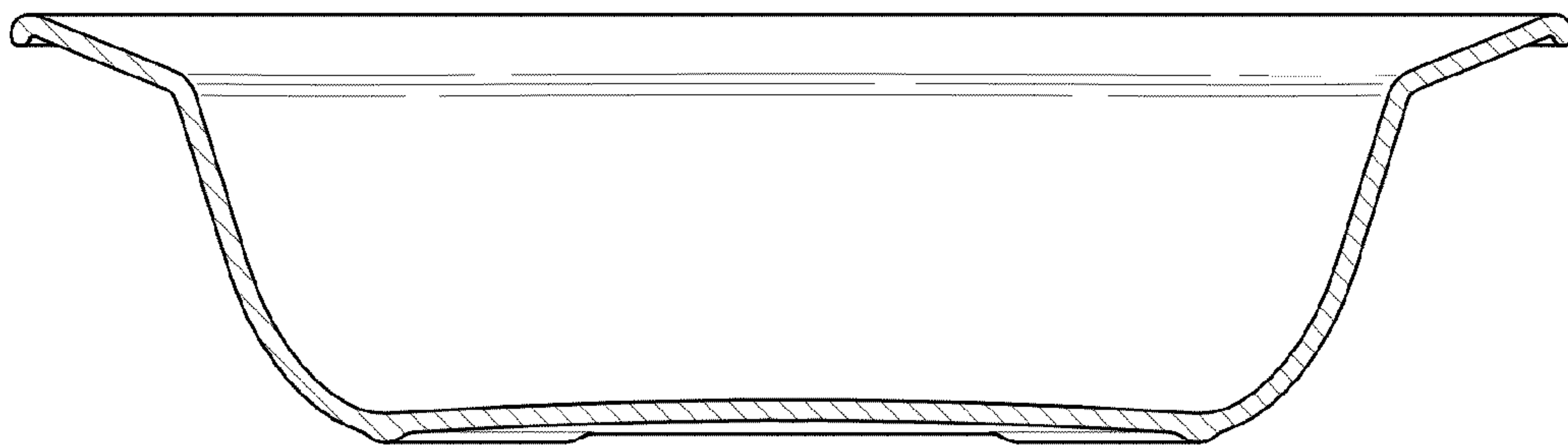


FIG. 2





*FIG. 6*